

US00D497397S1

(12) **United States Design Patent**
Sramek

(10) **Patent No.:** **US D497,397 S**

(45) **Date of Patent:** **** Oct. 19, 2004**

(54) **ELECTRIC SKATE SCOOTER**

(75) **Inventor:** **Steve Sramek, Long Beach, CA (US)**

(73) **Assignee:** **Razor USA LLC, Cerritos, CA (US)**

(**) **Term:** **14 Years**

(21) **Appl. No.:** **29/188,292**

(22) **Filed:** **Aug. 18, 2003**

(51) **LOC (7) Cl. 21-01**

(52) **U.S. Cl. D21/423**

(58) **Field of Search D21/419, 421,**
D21/423-424, 426, 435, 533, 760, 765,
771; D12/107, 110-112; 280/87.01, 87.04,
87.041, 87.042, 87.05, 278, 287; 180/180,
181, 219, 206, 227-228

(56) **References Cited**

U.S. PATENT DOCUMENTS

5,775,452 A * 7/1998 Patmont 180/181
5,848,660 A * 12/1998 McGreen 180/206
D433,718 S * 11/2000 McGreen D21/423
D447,188 S * 8/2001 Lan D21/423
6,338,393 B1 * 1/2002 Martin 180/227
D453,804 S * 2/2002 Robinson D21/423

D456,460 S * 4/2002 Tseng D21/423
6,431,302 B2 * 8/2002 Patmont et al. 180/228
6,481,728 B2 * 11/2002 Chen 280/87.041
D486,532 S * 2/2004 Christianson D21/423
D489,771 S * 5/2004 Laver et al. D21/423

* cited by examiner

Primary Examiner—Raphael Barkai

(74) *Attorney, Agent, or Firm*—Browdy and Neimark,
P.L.L.C.

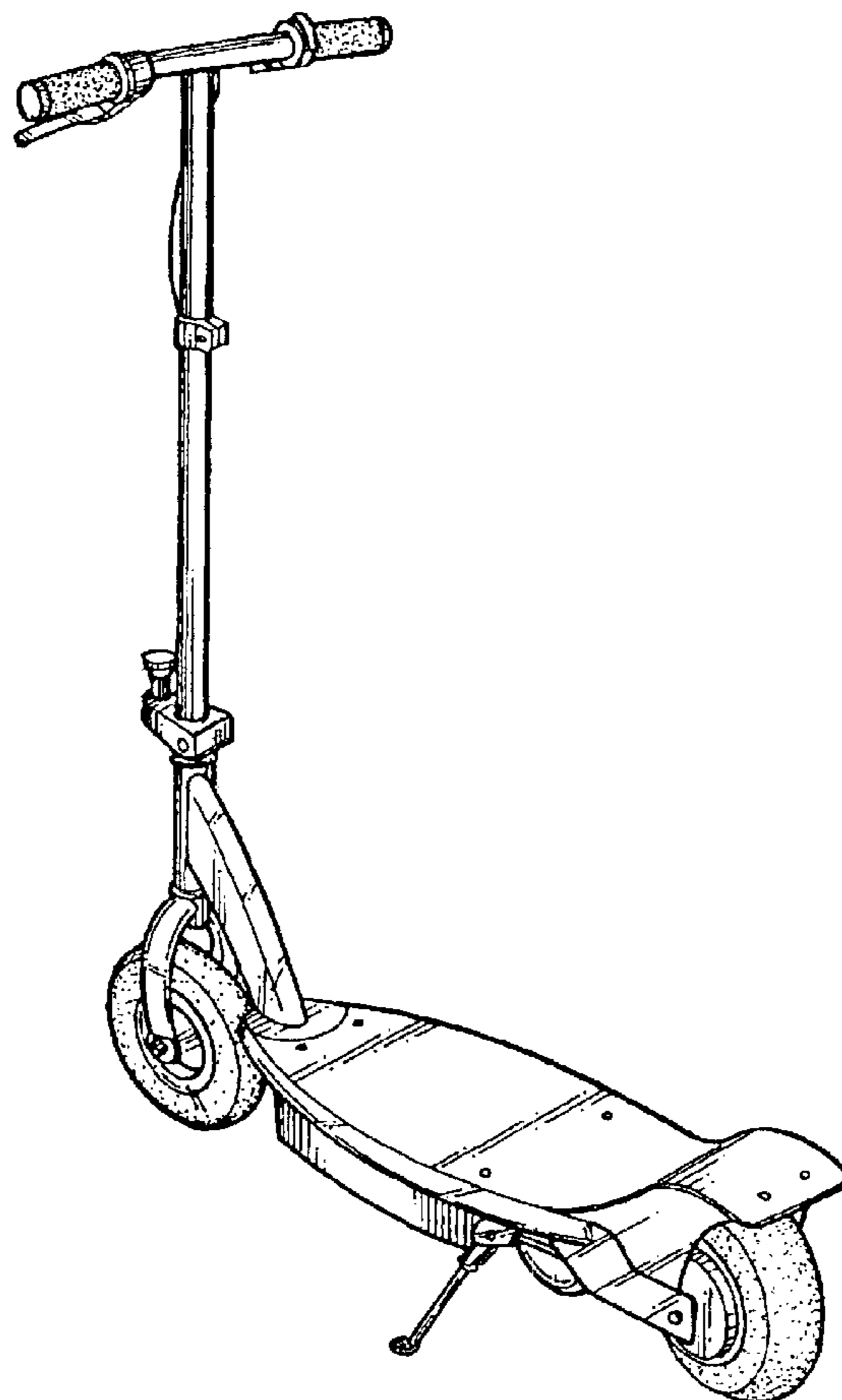
(57) **CLAIM**

The ornamental design for “electric skate scooter,” as
shown.

DESCRIPTION

FIG. 1 shows a perspective view of the present design.
FIG. 2 shows a right side elevational view of the present
design.
FIG. 3 shows a top plan view of the present design.
FIG. 4 shows a front elevational view of the present design.
FIG. 5 shows a bottom plan view of the present design.
FIG. 6 shows a left side elevational view of the present
design; and,
FIG. 7 shows a rear elevational view of the present design.

1 Claim, 4 Drawing Sheets



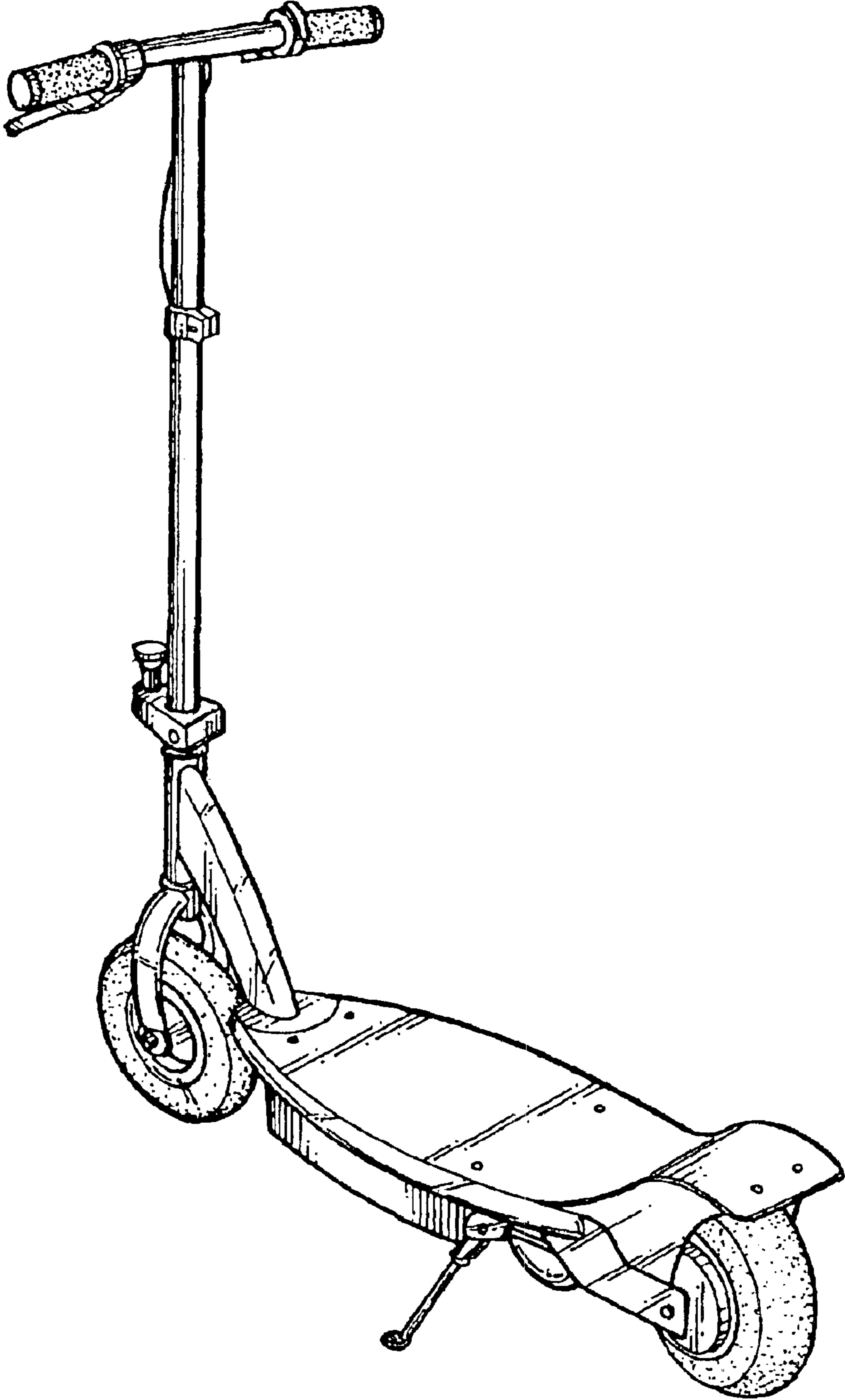


FIG. 1

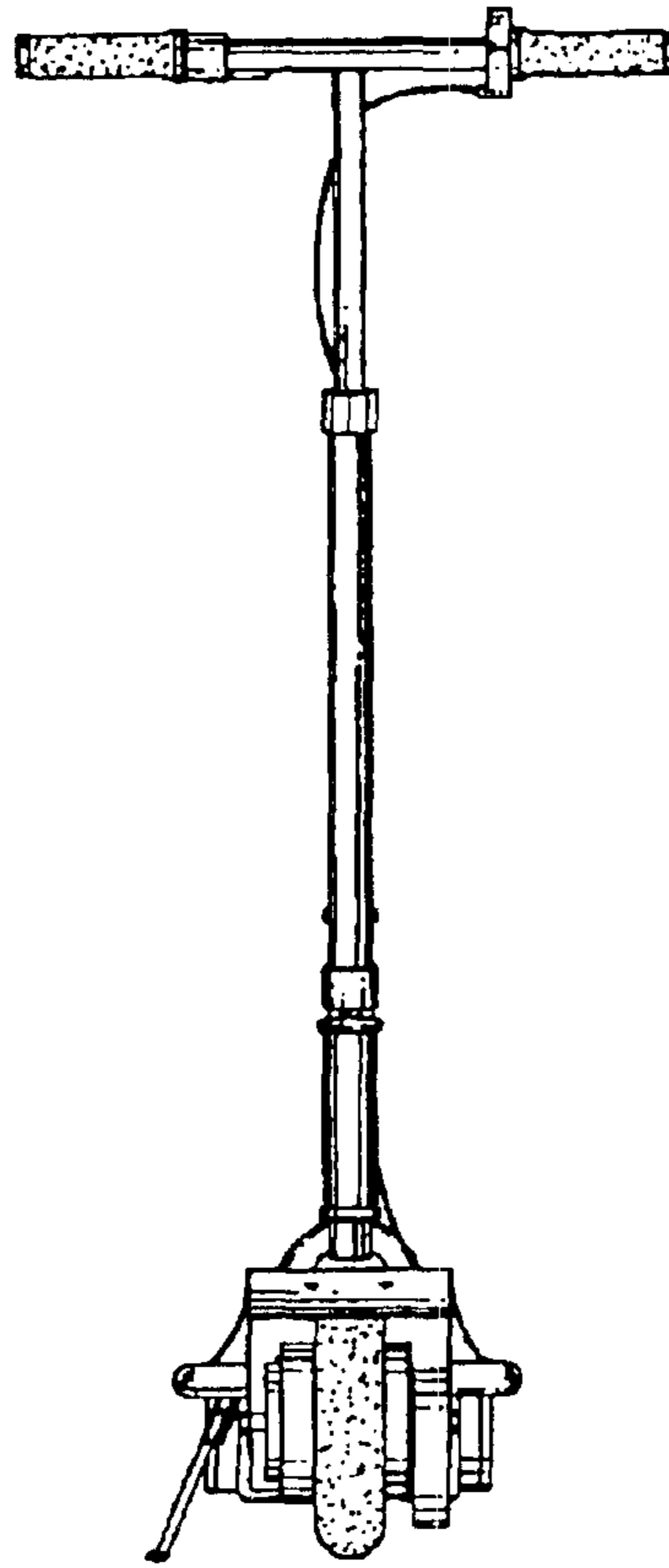


FIG. 2

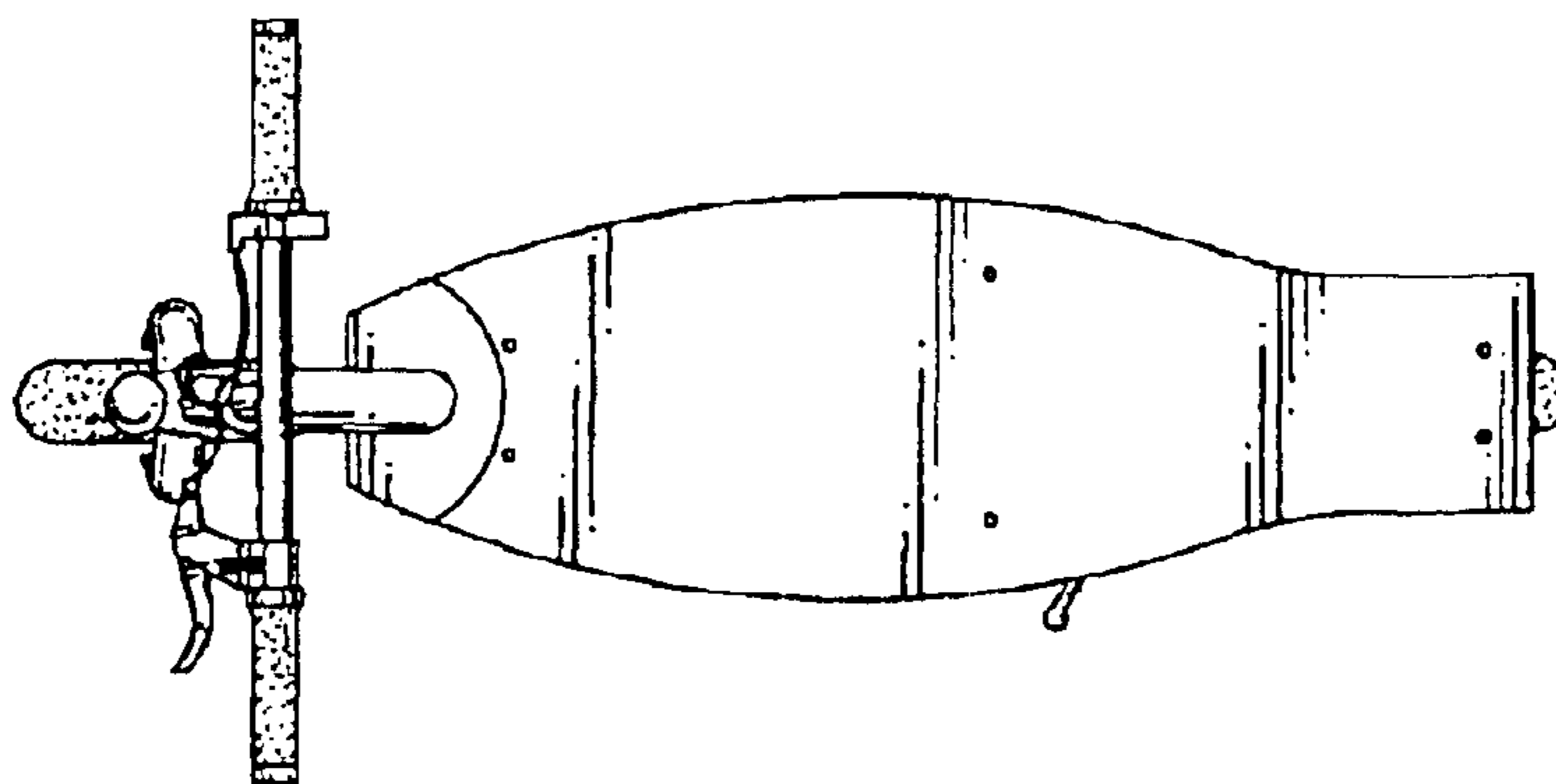


FIG. 3

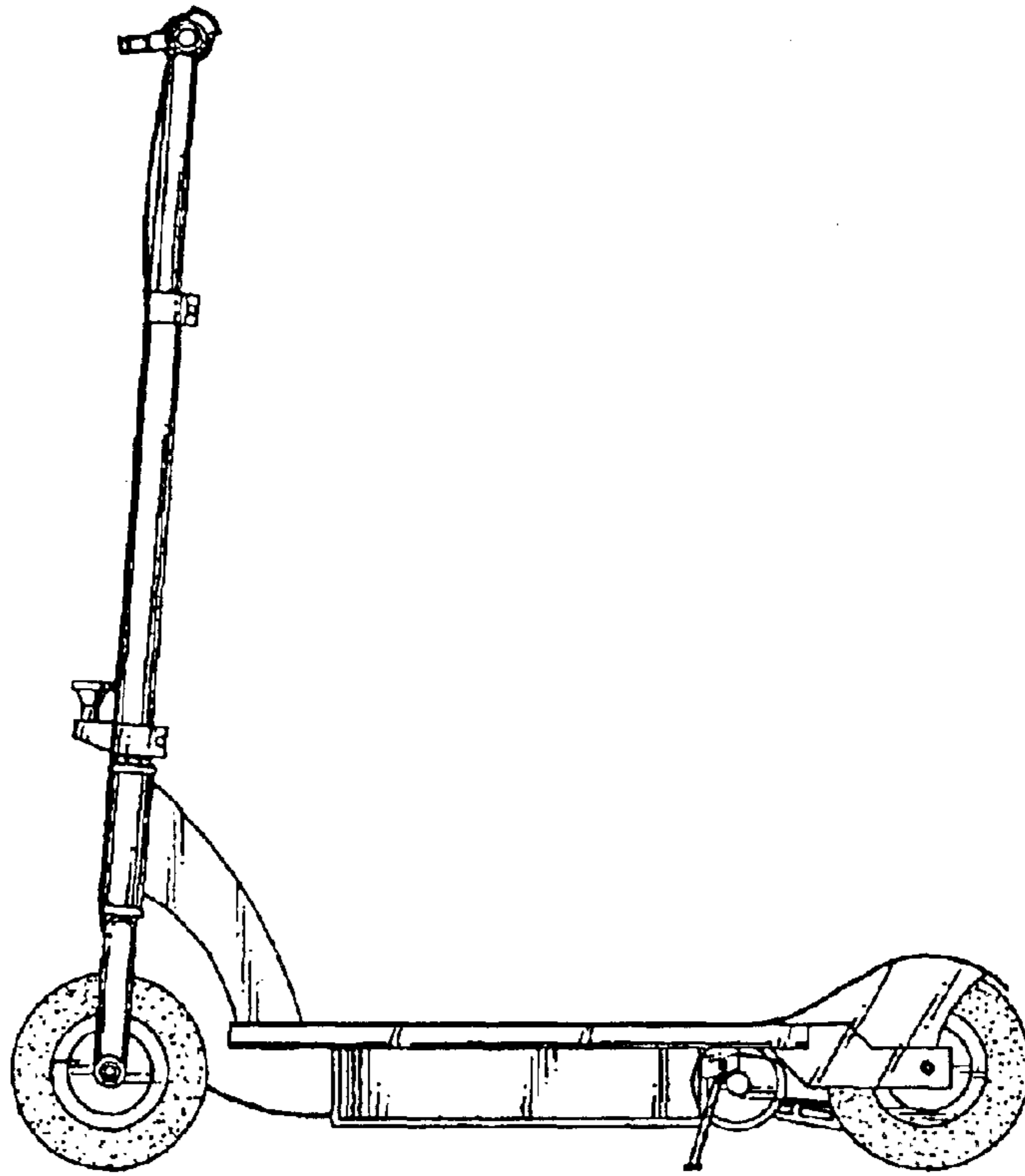


FIG. 4

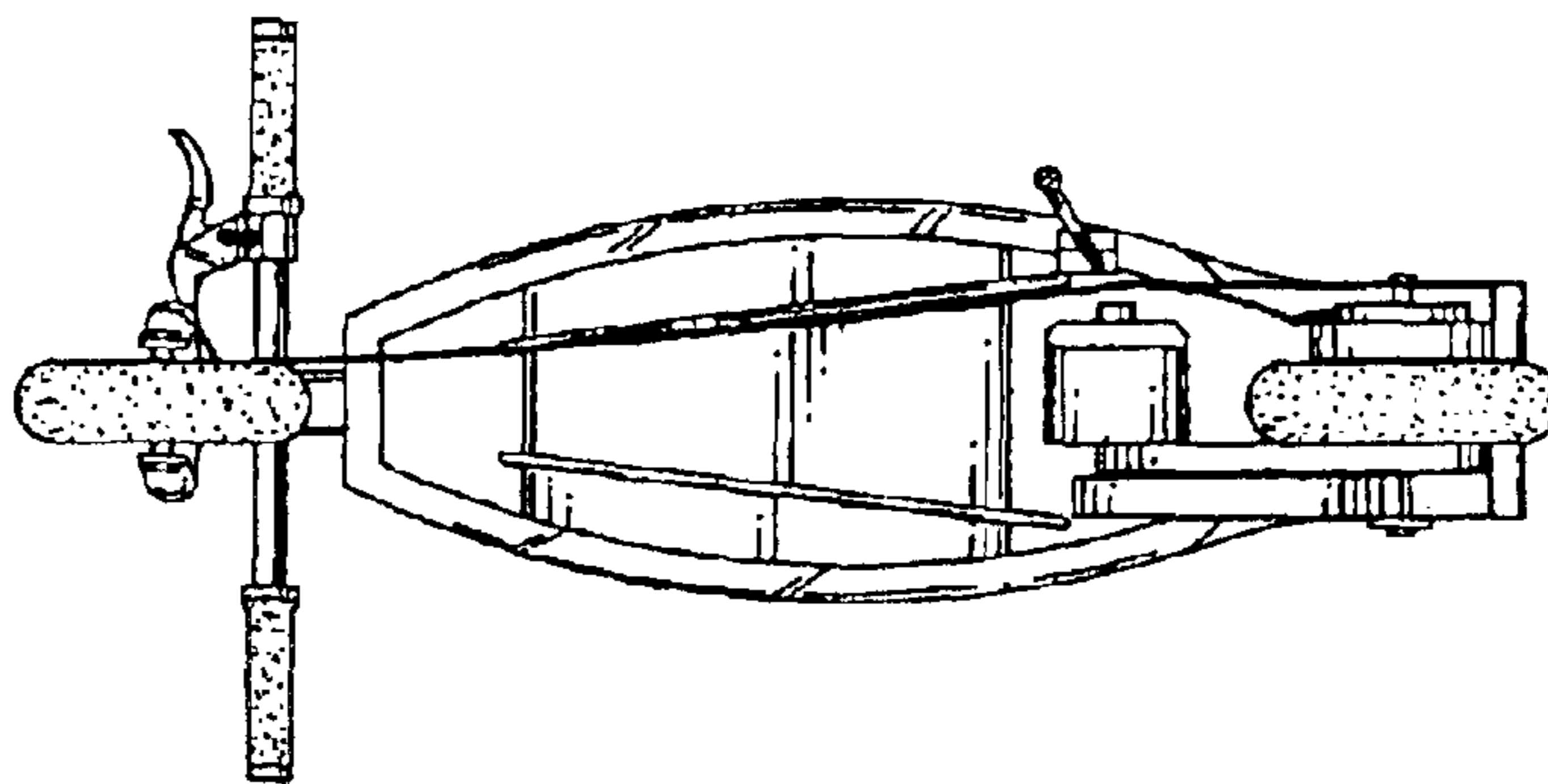


FIG. 5

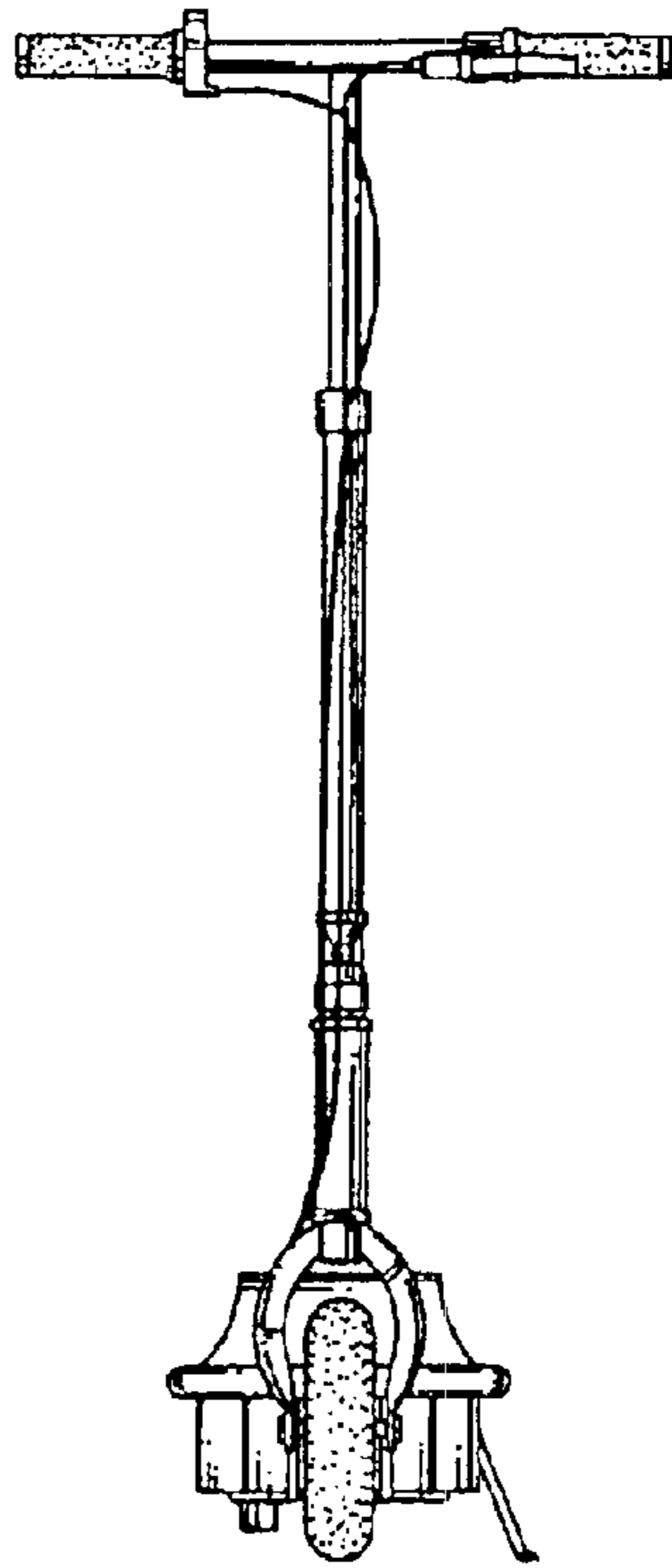


FIG. 6

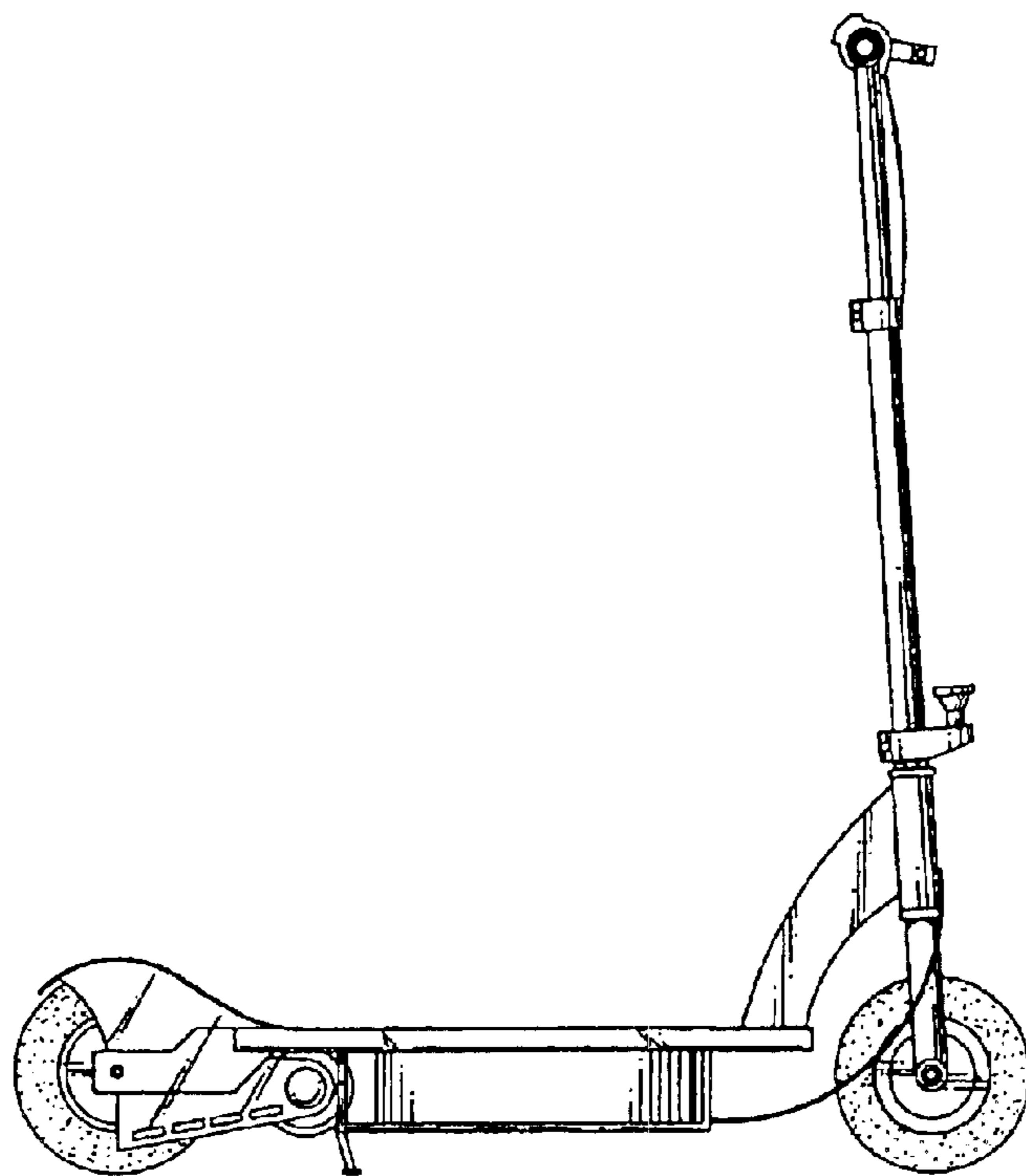


FIG. 7