

US00D497395S1

(12) **United States Design Patent**  
**Hancock et al.**

(10) **Patent No.:** **US D497,395 S**  
(45) **Date of Patent:** **\*\* Oct. 19, 2004**

(54) **GAME CONTROL DEVICE**  
(75) Inventors: **Christopher Mark Hancock**, London (GB); **Patrick Hooper**, Bucks (GB)  
(73) Assignee: **R.F.E. International Limited** (GB)  
(\*\*) Term: **14 Years**

D429,770 S \* 8/2000 Luciano et al. .... D21/333  
D432,180 S \* 10/2000 Hayes ..... D21/333  
D433,076 S \* 10/2000 Hayes ..... D21/333  
6,241,247 B1 \* 6/2001 Sternberg et al. .... 273/148 B  
6,342,009 B1 \* 1/2002 Soma ..... 463/38  
D461,850 S \* 8/2002 Hussaini et al. .... D21/333  
D484,135 S \* 12/2003 Netzel et al. .... D14/432

\* cited by examiner

(21) Appl. No.: **29/192,800**  
(22) Filed: **Oct. 30, 2003**

*Primary Examiner*—Prabhakar Deshmukh  
(74) *Attorney, Agent, or Firm*—Cantor Colburn LLP

(30) **Foreign Application Priority Data**

Apr. 30, 2003 (DE) ..... 403 03 299

(51) **LOC (7) Cl.** ..... **21-01**  
(52) **U.S. Cl.** ..... **D21/333; D14/432**  
(58) **Field of Search** ..... D21/333, 324,  
D21/328; D14/440, 401, 432, 412, 496;  
273/148 B; 463/1, 29–39, 46, 47; 345/156,  
161

(57) **CLAIM**

The ornamental design for a game control device, as shown and described.

**DESCRIPTION**

FIG. 1 is a front view of a game control device, showing my new design;  
FIG. 2 is a back view thereof;  
FIG. 3 is a left side view thereof;  
FIG. 4 is a right side view thereof;  
FIG. 5 is a top end view thereof;  
FIG. 6 is a bottom end view thereof; and,  
FIG. 7 is a front perspective view thereof.  
The broken lines shown in the figures are for illustrative purposes only and form no part of the claimed design.

(56) **References Cited**

**U.S. PATENT DOCUMENTS**

5,046,739 A \* 9/1991 Reichow ..... 273/148 B  
5,476,261 A \* 12/1995 Hultstrand ..... 273/148 B  
5,501,548 A \* 3/1996 Hayashi et al. .... 405/143  
5,923,317 A \* 7/1999 Sayler et al. .... 345/156

**1 Claim, 4 Drawing Sheets**

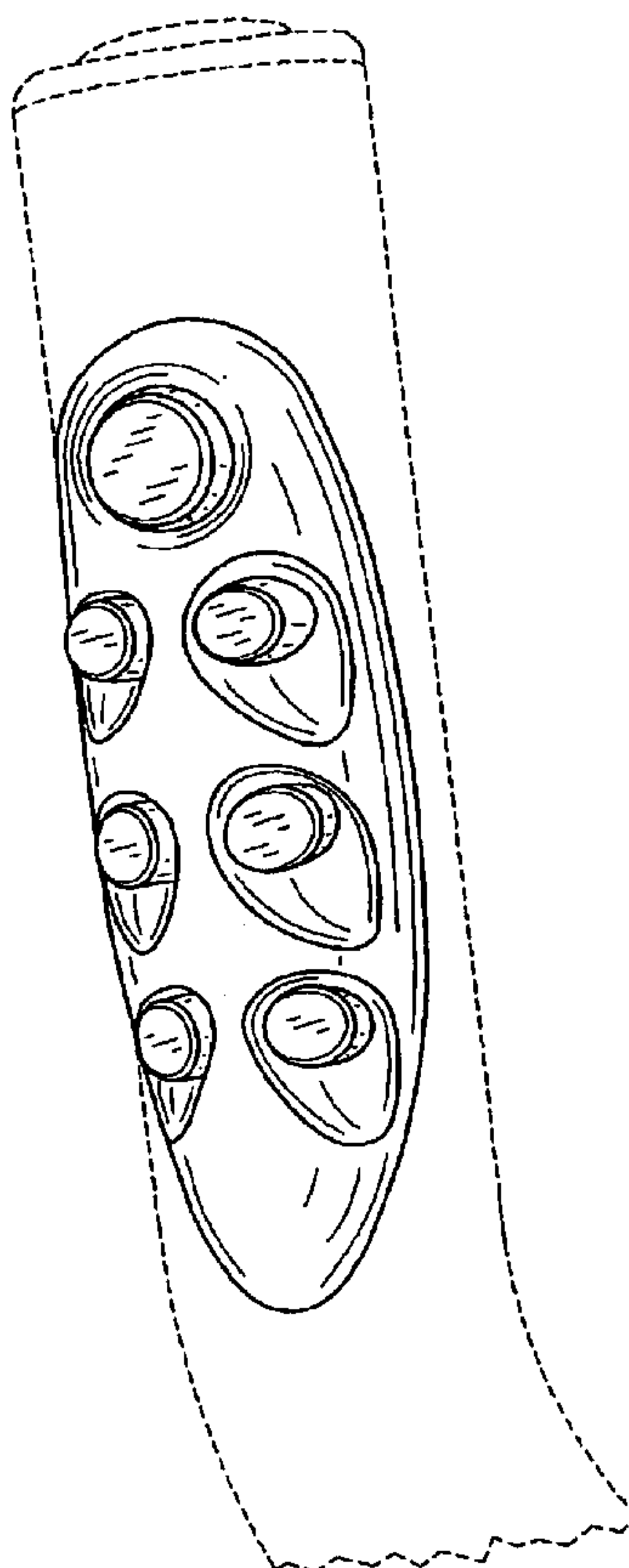


FIG. 1

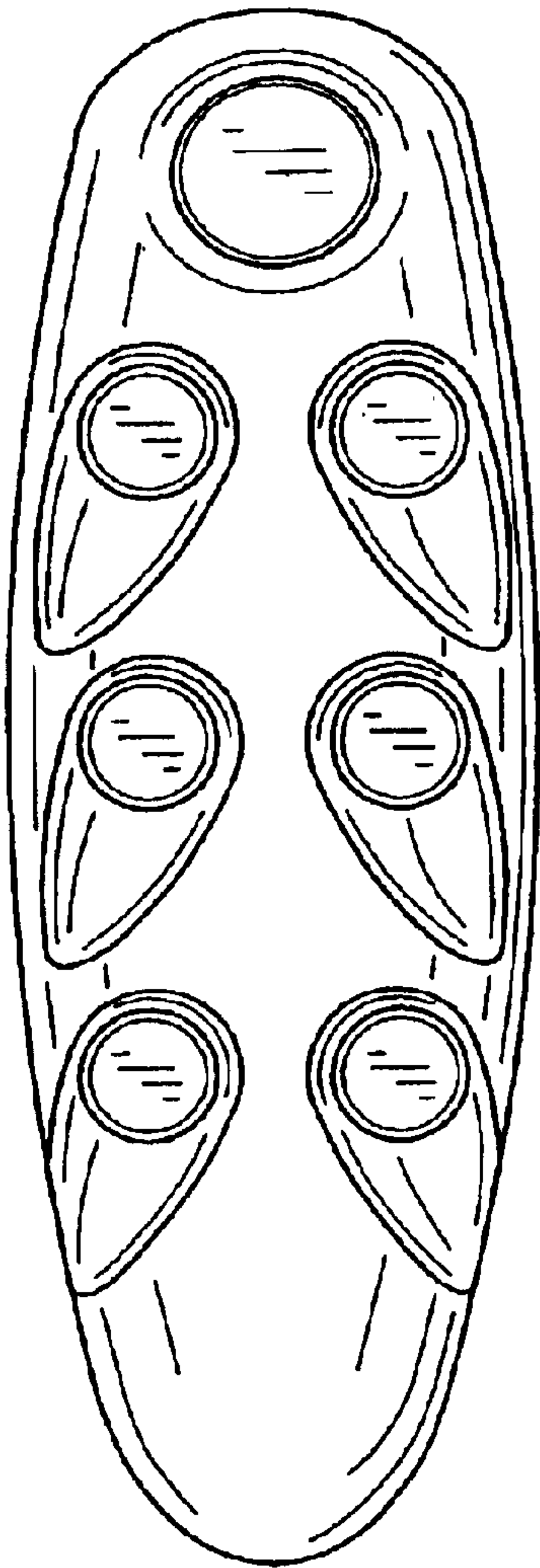


FIG. 2

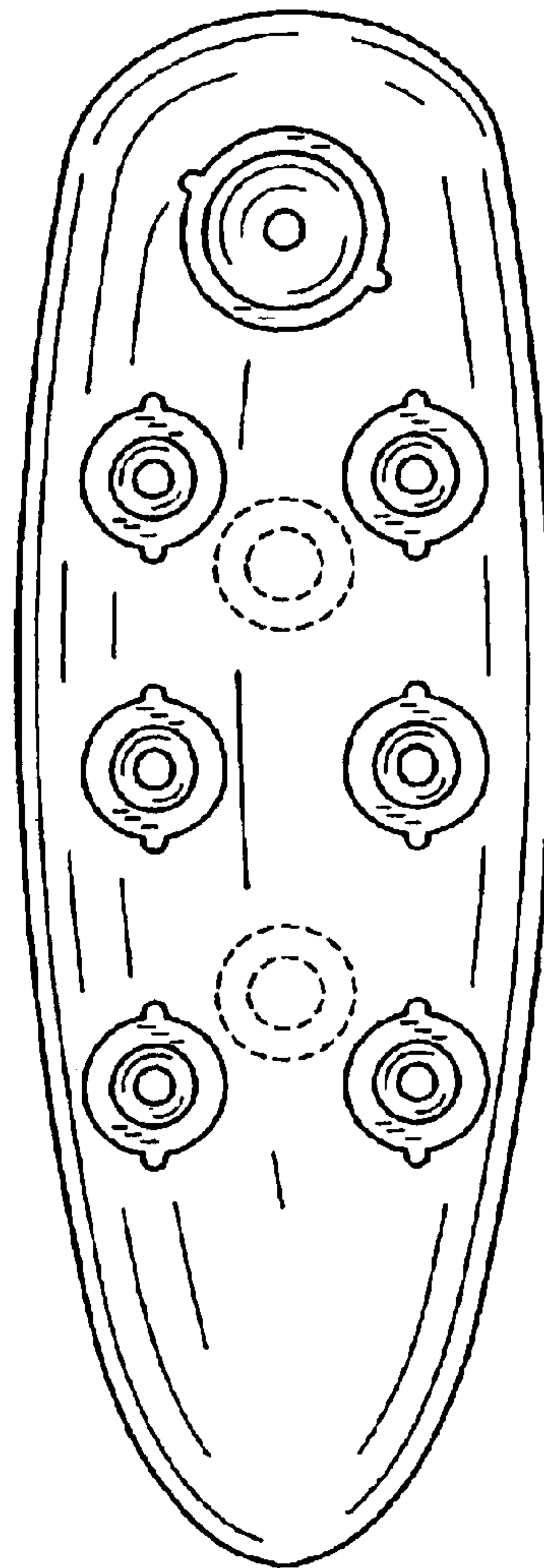


FIG. 3

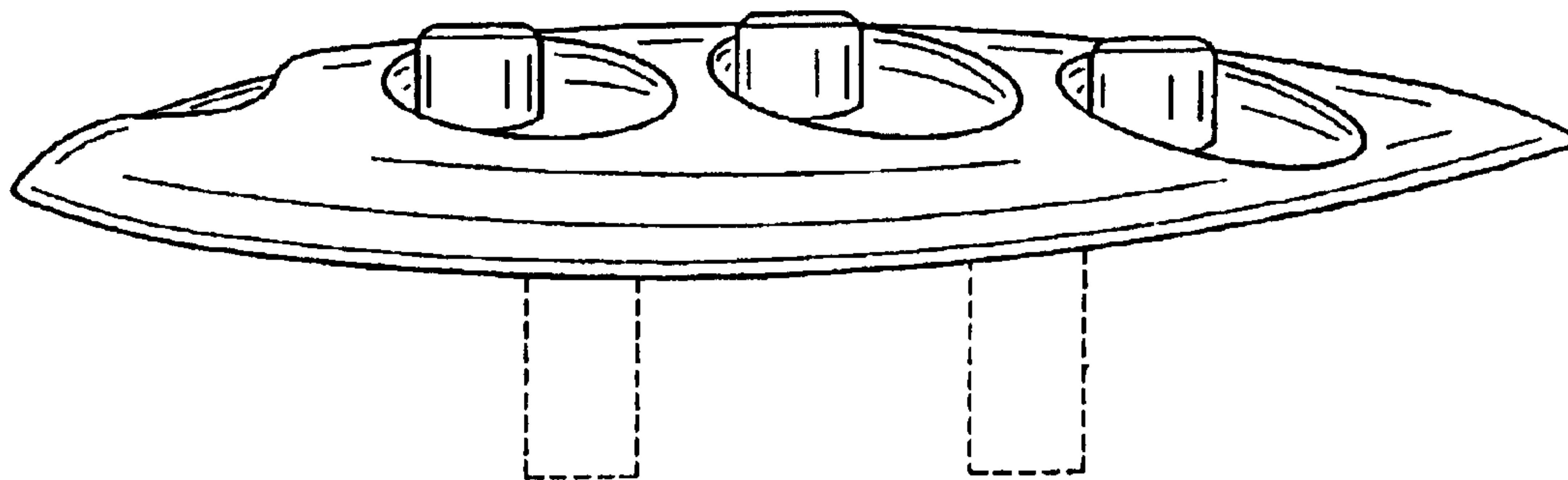


FIG. 4

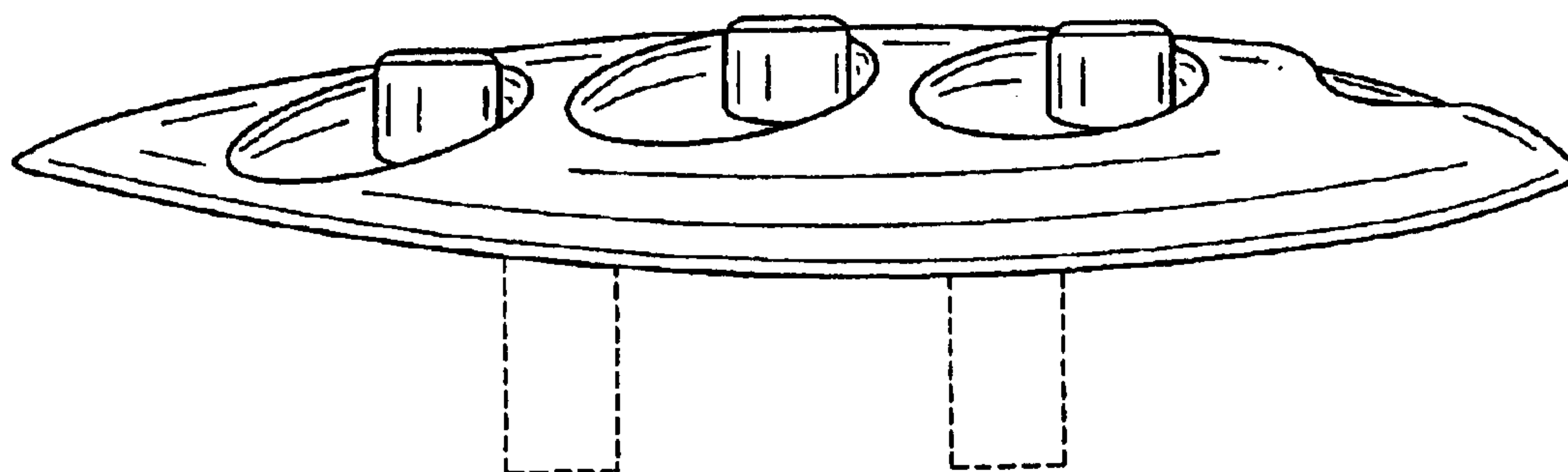


FIG. 5

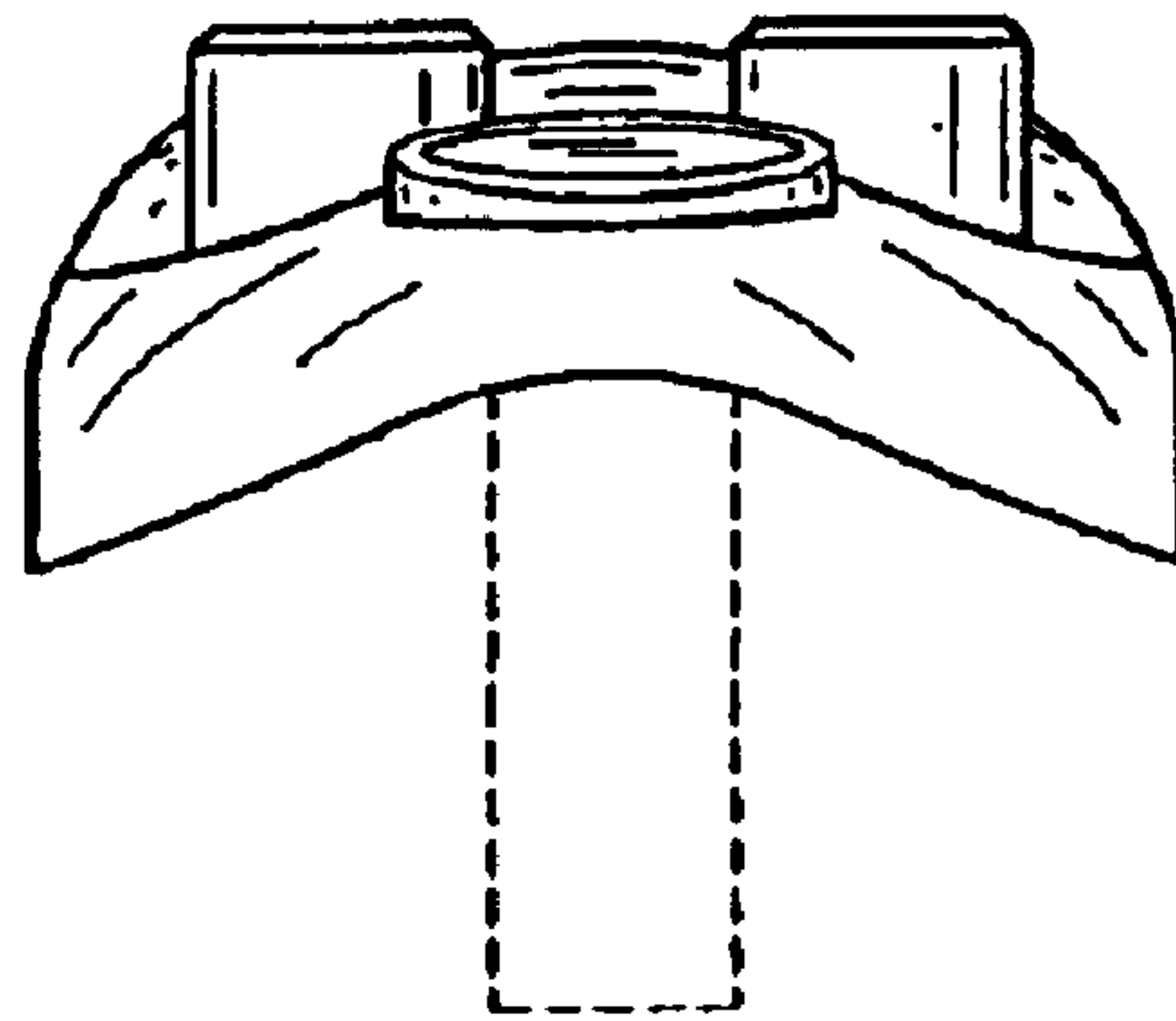


FIG. 6

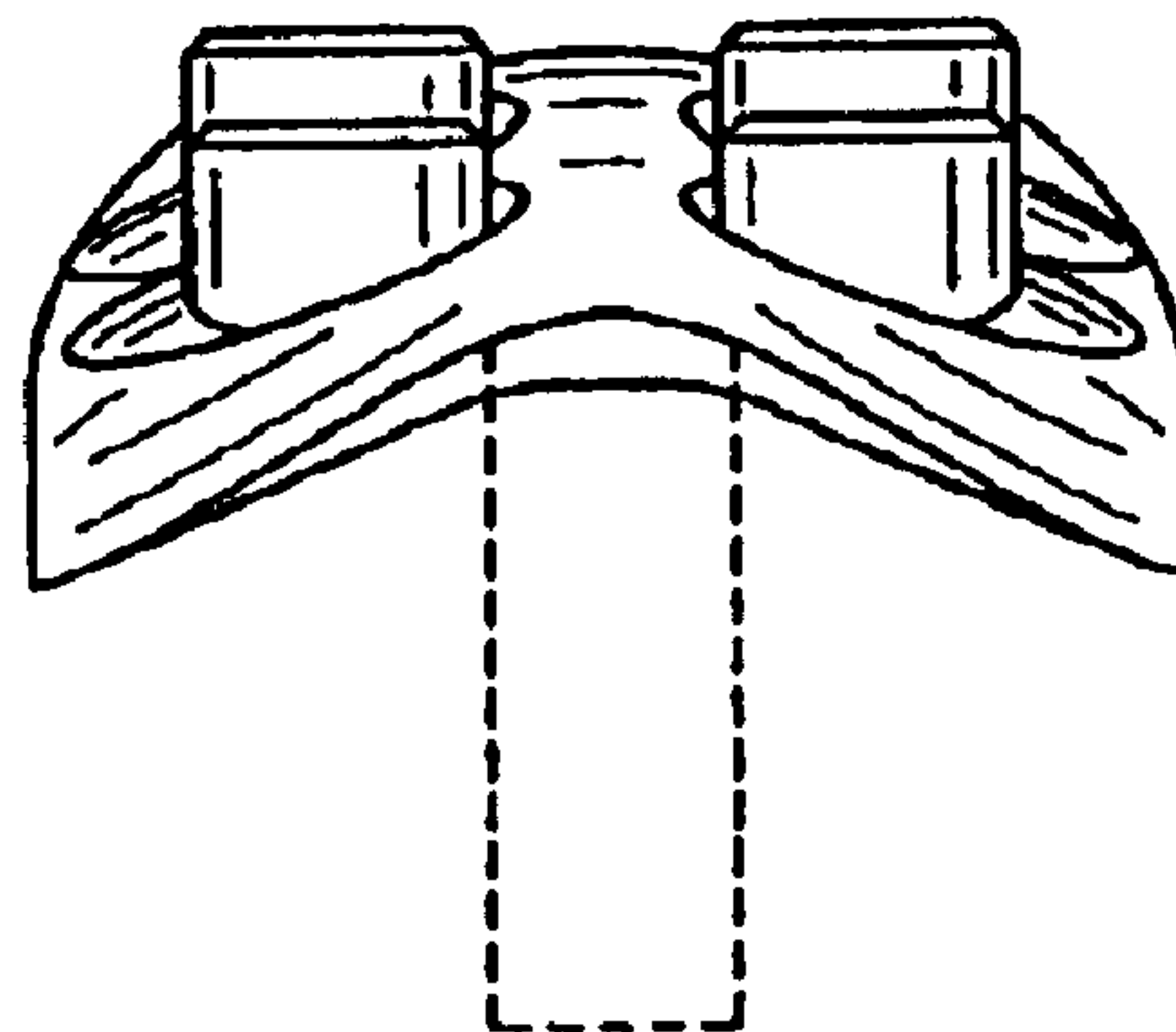


FIG. 7

