

US00D497393S1

(12) **United States Design Patent** (10) Patent No.: **US D497,393 S**
Herbst (45) Date of Patent: **** Oct. 19, 2004**

(54) **COMBINED SIGN AND PARKING METER**
 (75) Inventor: **Yaacov T. Herbst**, Jerusalem (IL)
 (73) Assignee: **Park Media, Ltd.**, Staten Island, NY (US)
 (**) Term: **14 Years**
 (21) Appl. No.: **29/160,284**
 (22) Filed: **May 7, 2002**
 (51) **LOC (7) Cl.** **20-19**
 (52) **U.S. Cl.** **D20/19; D10/42; D20/41**
 (58) **Field of Search** D20/10, 27, 28, D20/29, 41, 42, 99; D10/42; 40/333, 606, 607, 608, 611, 655

3,538,882 A 11/1970 Price
 3,928,930 A 12/1975 Attwood
 4,353,179 A 10/1982 Jennings
 4,454,671 A 6/1984 Morgenstern
 D274,629 S 7/1984 Plumettaz
 4,519,510 A * 5/1985 Learnard 211/58
 D286,794 S * 11/1986 Bayless et al. D20/41
 4,742,630 A 5/1988 Scumaci
 D305,778 S 1/1990 Caulk
 4,910,902 A 3/1990 Anderson
 5,054,219 A * 10/1991 Hoyt et al. 40/473
 D322,096 S 12/1991 Adams
 5,116,204 A 5/1992 Power et al.
 5,212,898 A 5/1993 Dinan et al.
 D341,380 S 11/1993 Morgan, Jr. et al. D20/37
 D355,222 S 2/1995 Marshal et al. D20/41
 D369,007 S * 4/1996 Jones D20/41
 5,561,930 A 10/1996 Ashley et al. 40/538
 D376,821 S 12/1996 Hathaway
 5,609,317 A 3/1997 Glynn et al.
 D391,301 S 2/1998 Davis
 5,782,027 A 7/1998 Gildea
 5,787,621 A 8/1998 Leksell 40/606
 5,956,875 A * 9/1999 Aughenbaugh 40/607
 5,966,857 A 10/1999 Pettersson et al. 40/606
 D417,894 S 12/1999 Herbst D20/41
 D418,170 S 12/1999 Herbst D20/41
 D419,195 S 1/2000 Herbst D20/19
 D422,316 S 4/2000 Herbst D20/19
 D424,119 S 5/2000 Ashley et al. D20/37
 D424,734 S 5/2000 Gager et al. D26/106
 D431,838 S 10/2000 Ragot D20/10
 6,250,003 B1 * 6/2001 Phinney 40/607

(56) **References Cited**

U.S. PATENT DOCUMENTS

898,579 A 9/1908 Husted
 938,710 A 11/1909 Russell
 939,768 A 11/1909 Whiteside
 1,307,655 A 6/1919 Brown
 D84,694 S 7/1931 Graves
 1,890,483 A 12/1932 Wood et al.
 2,061,875 A 11/1936 Johns
 D106,568 S 10/1937 Johns
 2,468,421 A 4/1949 Williams
 D162,698 S * 3/1951 Teague D10/42
 2,616,196 A 11/1952 Sandahl et al.
 2,833,065 A 5/1958 Kies
 2,870,558 A 1/1959 Fuller 40/126
 2,899,765 A 8/1959 Fuller 41/25
 D189,106 S * 10/1960 Leiderman D10/42
 D194,354 S * 1/1963 Meuche D20/41
 D195,569 S 7/1963 Gleitsman
 3,116,027 A 12/1963 Kleppin 240/81
 3,135,063 A 6/1964 Ricks
 3,182,414 A 5/1965 Snediker 40/125
 3,305,909 A 2/1967 Wise et al.
 3,313,056 A 4/1967 Williams et al. 40/77
 3,337,171 A 8/1967 Canning
 3,479,760 A 11/1969 Snyder, Jr.
 D216,659 S 2/1970 Lofgren et al. D96/12

FOREIGN PATENT DOCUMENTS

DE 198 10 164 9/1999

* cited by examiner

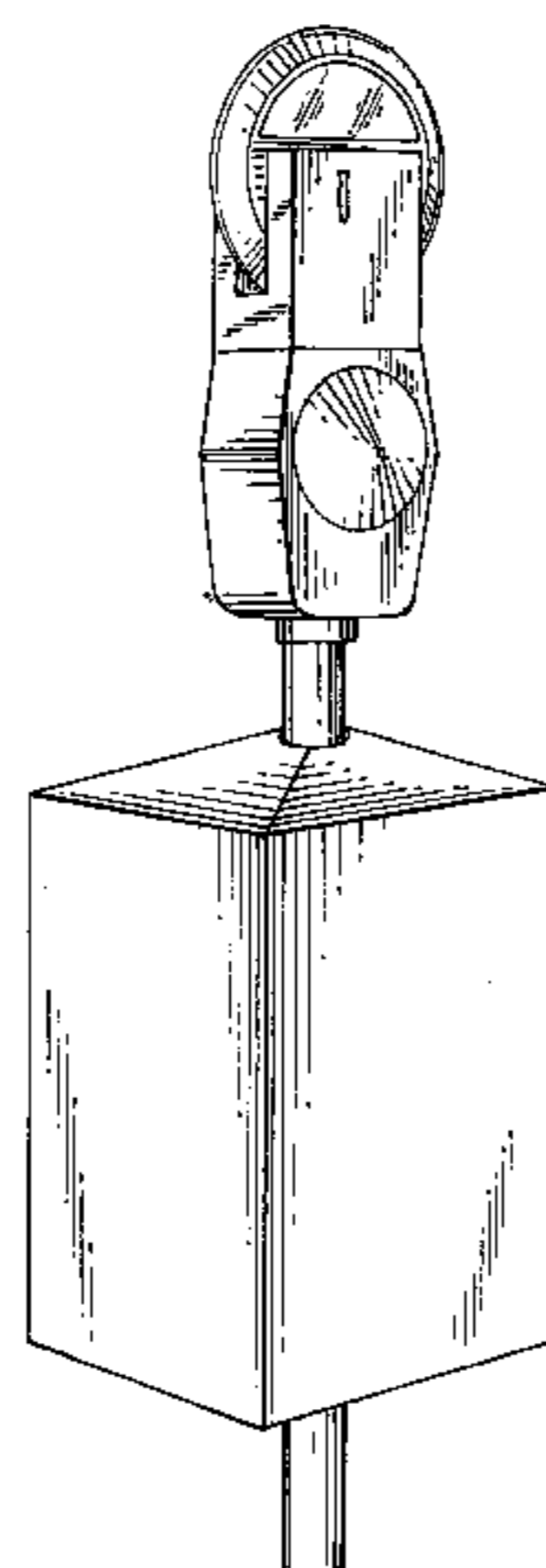
Primary Examiner—Robert M. Spear
(74) *Attorney, Agent, or Firm*—Fish & Neave; Joel Weiss; Scott H. Kaliko

(57) **CLAIM**

The ornamental design for a combined sign and parking meter, as shown and described.

DESCRIPTION

FIG. 1 is a top, left, front perspective view of a combined

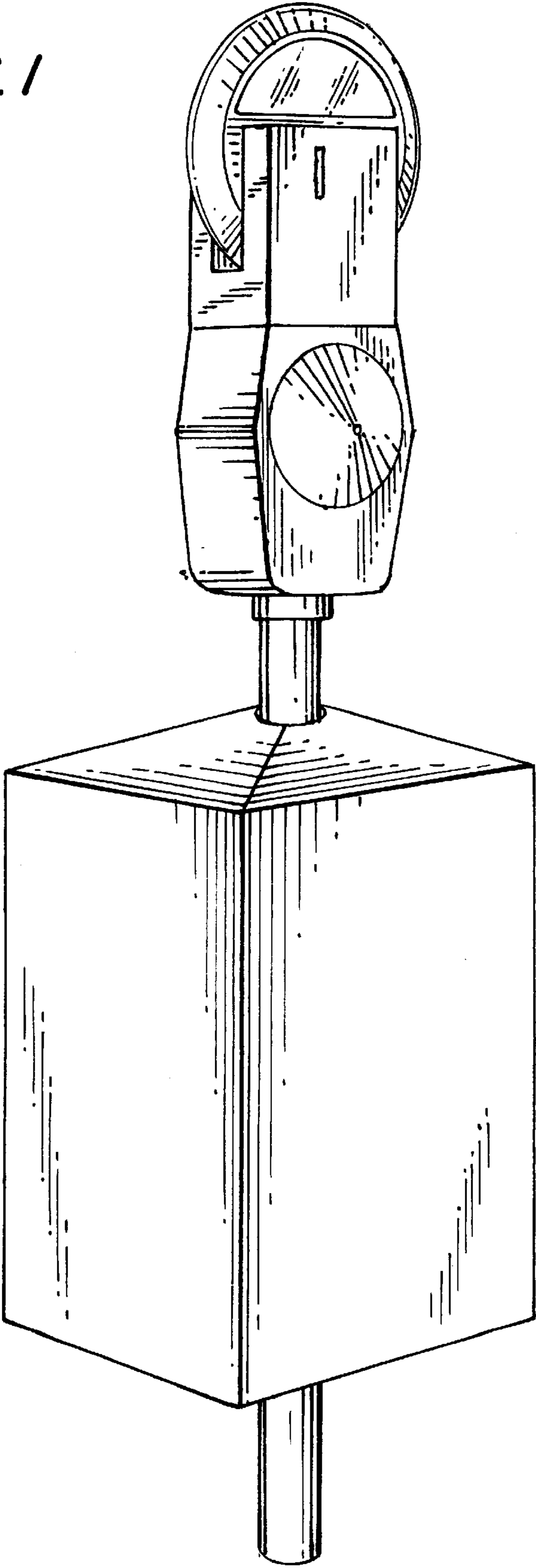


sign and parking meter showing our new design;
FIG. 2 is a top plan view thereof;
FIG. 3 is a side elevational view thereof; and,

FIG. 4 is a bottom plan view thereof.

1 Claim, 3 Drawing Sheets

FIG. 1



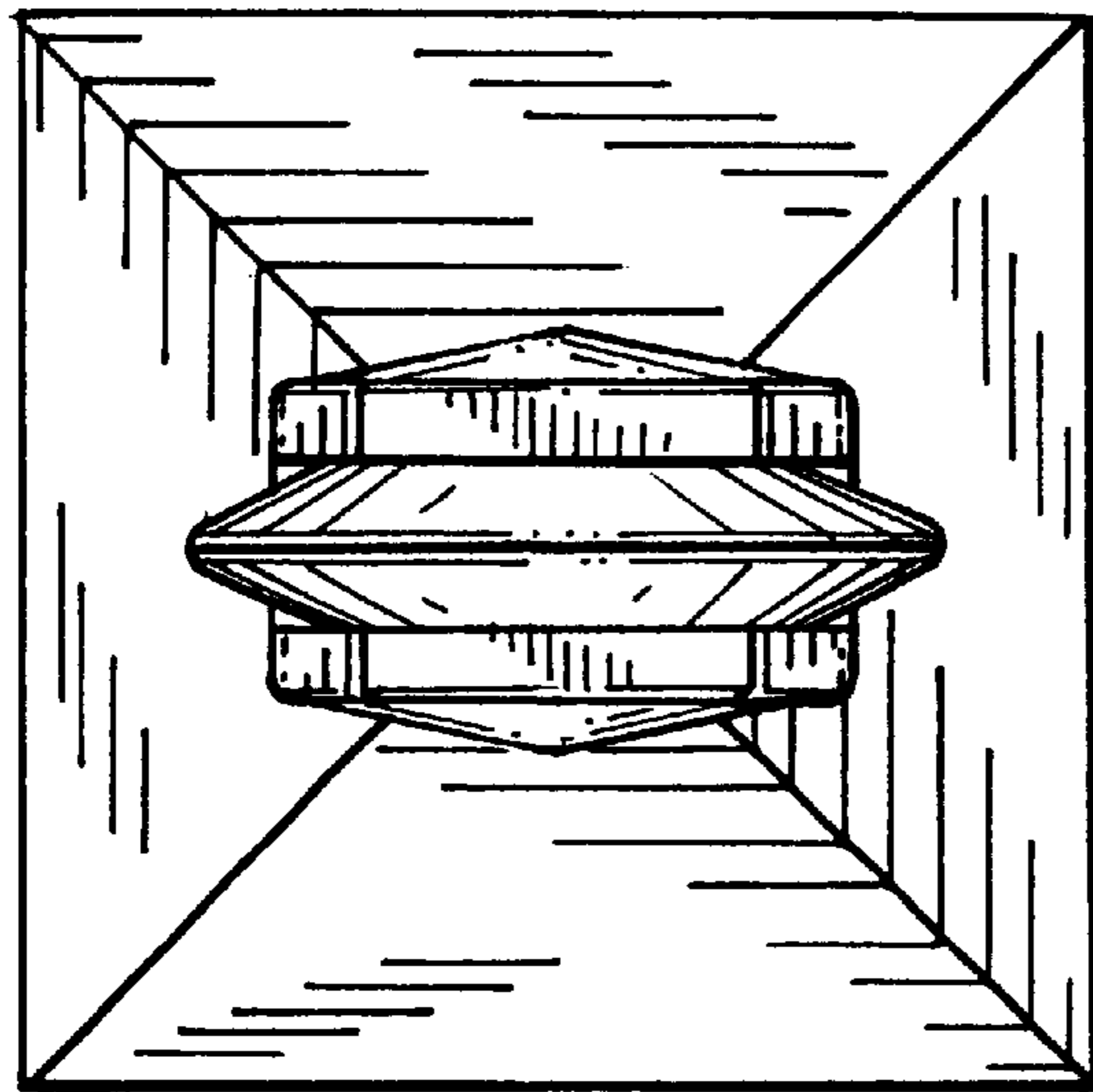


FIG. 2

FIG. 4

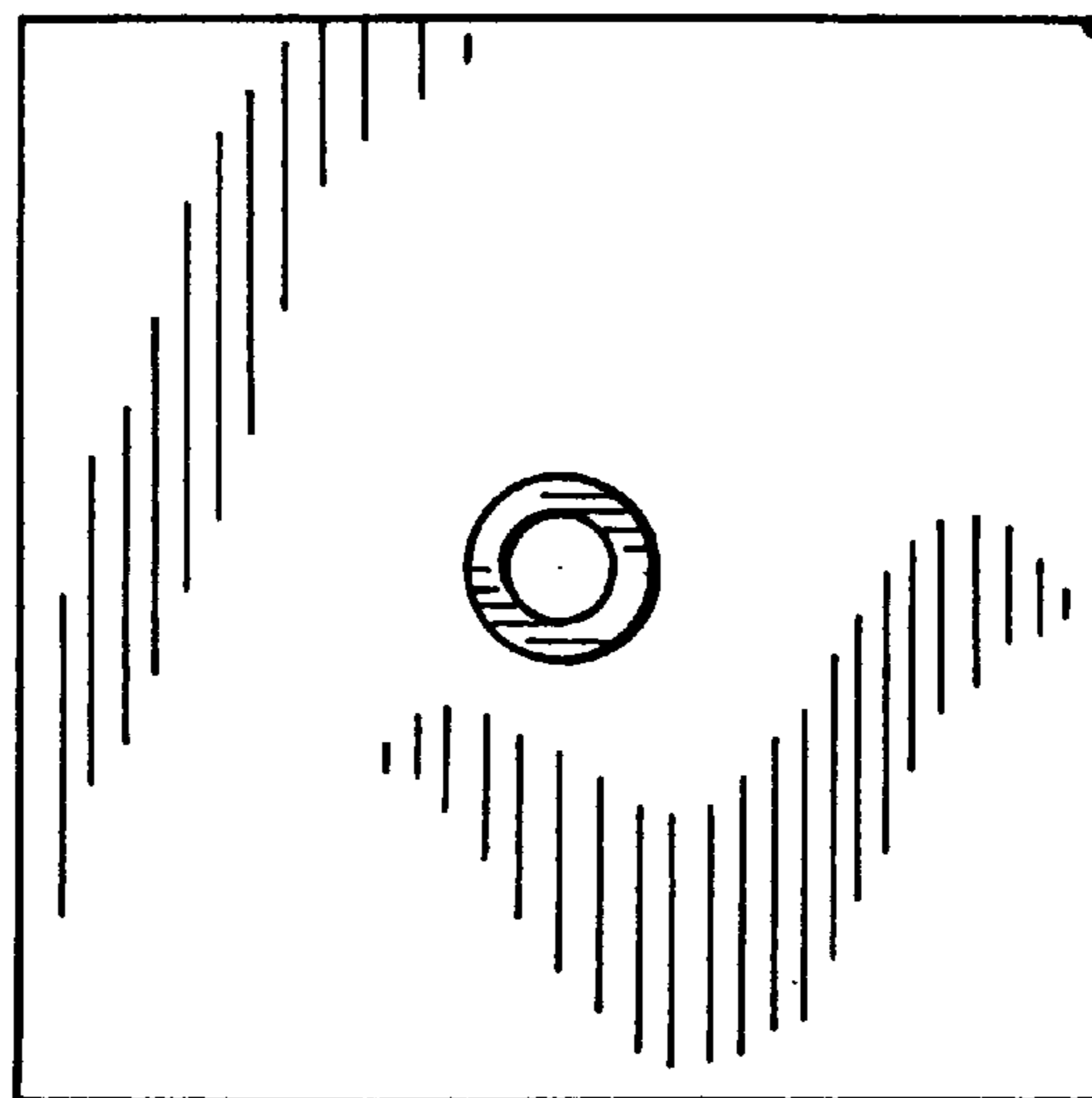


FIG. 3

