

US00D497392S1

(12) **United States Design Patent** (10) **Patent No.:** **US D497,392 S**  
**Benoit** (45) **Date of Patent:** **\*\* Oct. 19, 2004**

(54) **ILLUMINATED ALPHANUMERIC CHARACTER DISPLAY**

(76) Inventor: **Albert Silvio Benoit**, 15037 Dixie, Redford, MI (US) 48239

(\*\*) Term: **14 Years**

(21) Appl. No.: **29/192,428**

(22) Filed: **Oct. 24, 2003**

(51) **LOC (7) Cl.** ..... **20-03**

(52) **U.S. Cl.** ..... **D20/10; D20/17**

(58) **Field of Search** ..... D20/10, 12-13, D20/15, 17-19, 21, 39-42; D26/31; 362/80.1, 811-12; 40/545-6, 204-5, 209, 552, 576, 540, 592-3; 340/468-479

(56) **References Cited**

**U.S. PATENT DOCUMENTS**

1,565,203	A	*	12/1925	Roemer	.....	40/472
1,769,243	A	*	7/1930	Tout	.....	40/564
D217,539	S	*	5/1970	Wren	.....	D20/17
3,590,507	A	*	7/1971	Wren	.....	40/576
4,009,535	A		3/1977	Stock		
4,843,525	A		6/1989	Williams		
4,903,172	A		2/1990	Schoniger et al.		
5,007,190	A		4/1991	Shyu		

D317,942	S	*	7/1991	Fritz et al.	.....	D20/17
D359,076	S	*	6/1995	Dorp	.....	D20/17
D359,727	S	*	6/1995	Wilson	.....	D14/336
5,435,087	A		7/1995	Karkar et al.		
D373,432	S	*	9/1996	Wu	.....	D26/28
D444,503	S	*	7/2001	Phelps et al.	.....	D20/17
D454,216	S	*	3/2002	Classen	.....	D26/31

\* cited by examiner

*Primary Examiner*—Robert M. Spear

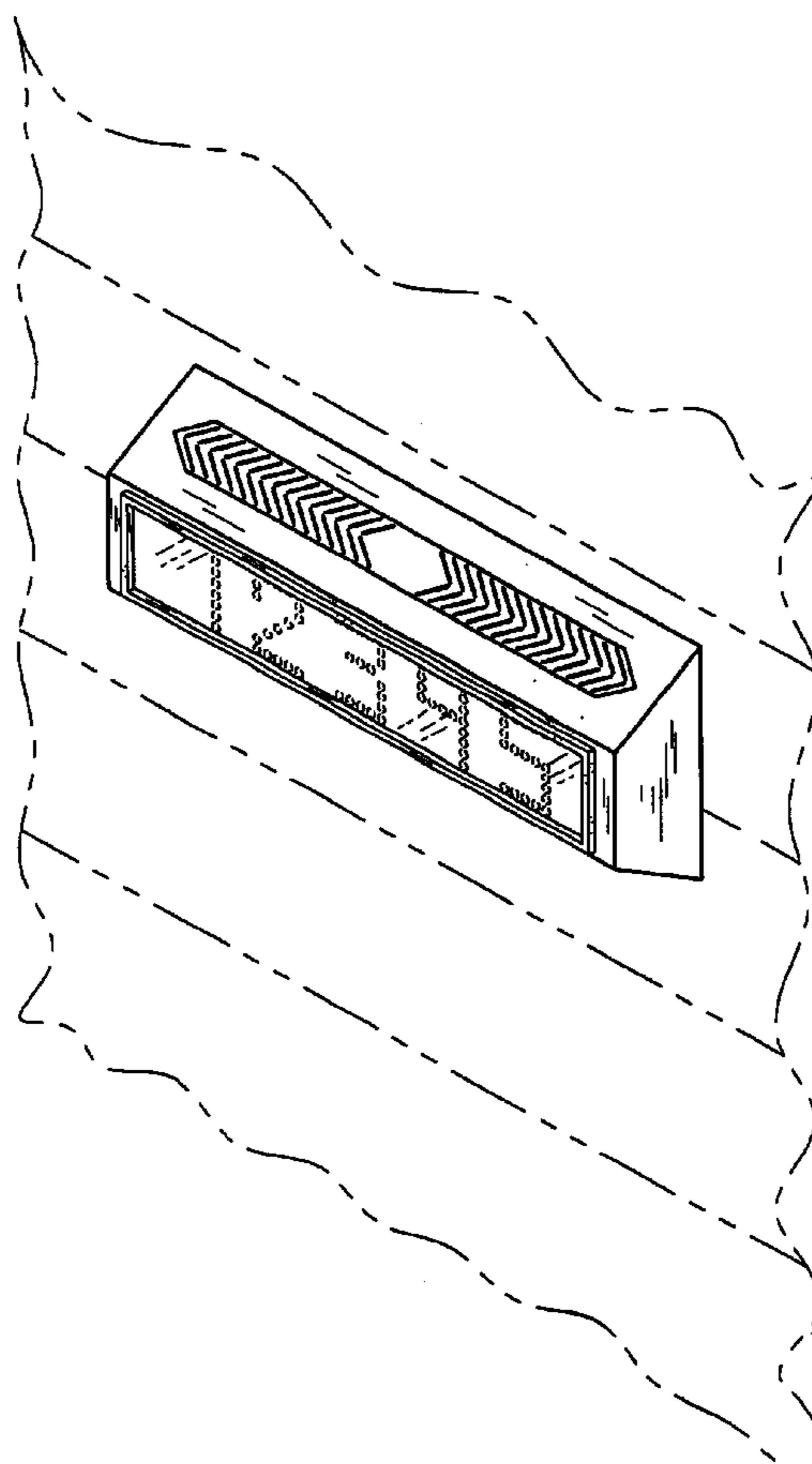
(57) **CLAIM**

The ornamental design for an illuminated alphanumeric character display, as shown and described.

**DESCRIPTION**

FIG. 1 is a front elevational view of an illuminated alphanumeric character display showing my new design;  
 FIG. 2 is a rear elevational view thereof;  
 FIG. 3 is a side view, taken from the left side of FIG. 1, the right side view being a mirror image thereof;  
 FIG. 4 is a top plan view thereof;  
 FIG. 5 is a bottom plan view thereof; and,  
 FIG. 6 is a perspective view thereof.  
 The broken lines in the drawings showing numerals and house siding are for illustrative purposes only and form no part of the claimed design.

**1 Claim, 4 Drawing Sheets**



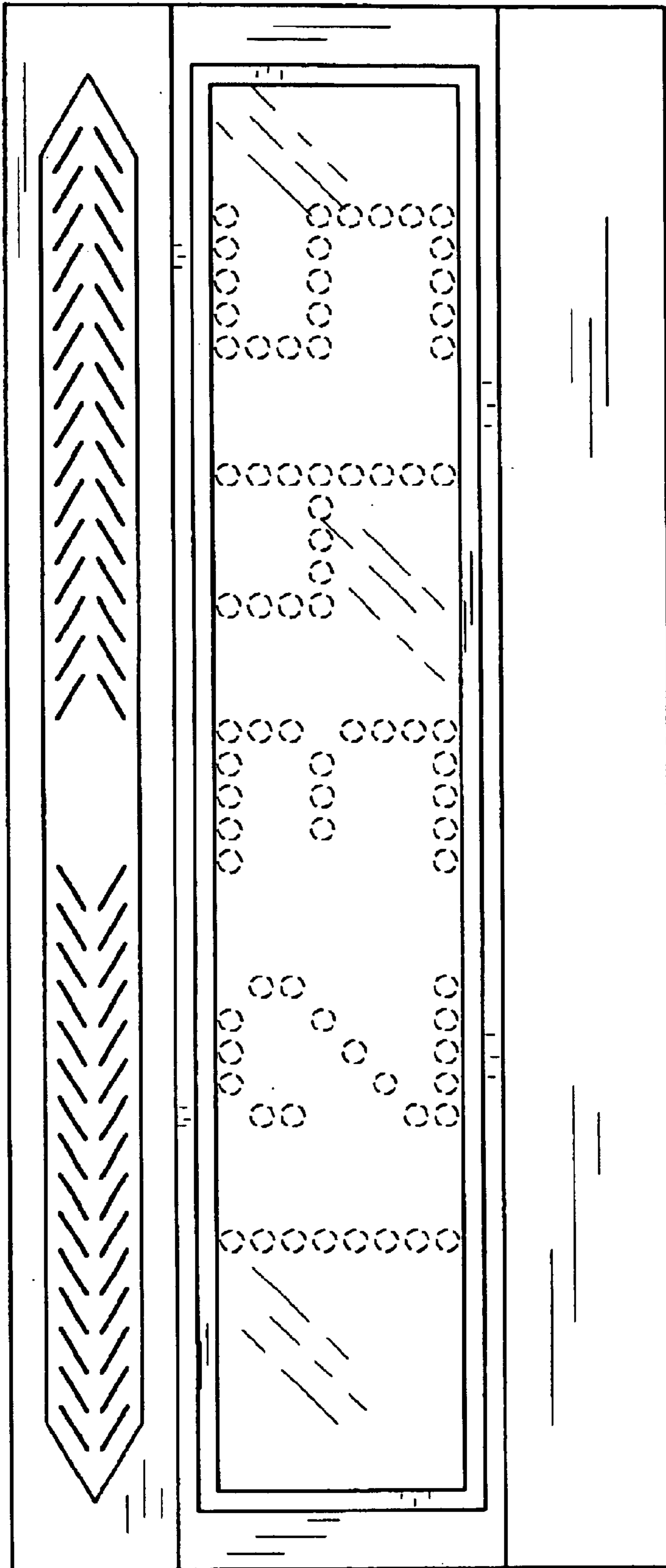


FIG. 1

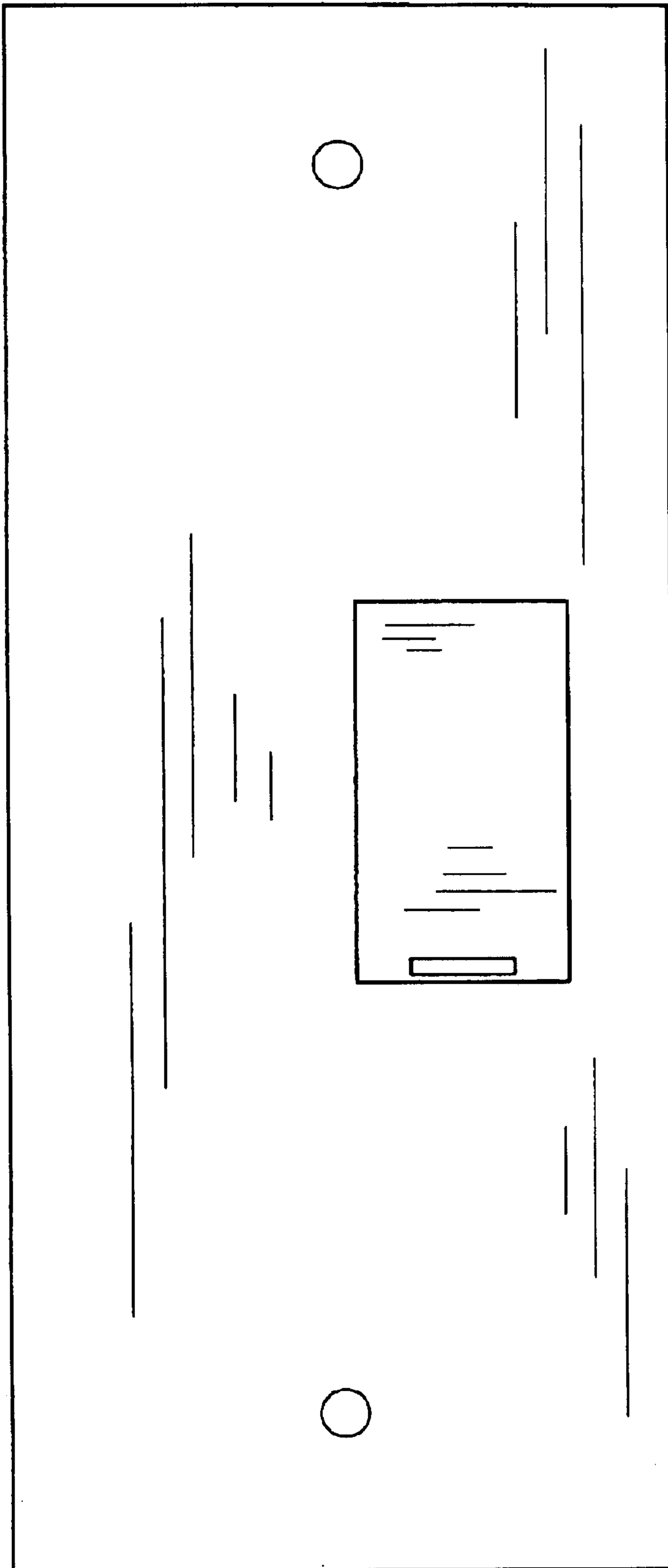


FIG. 2

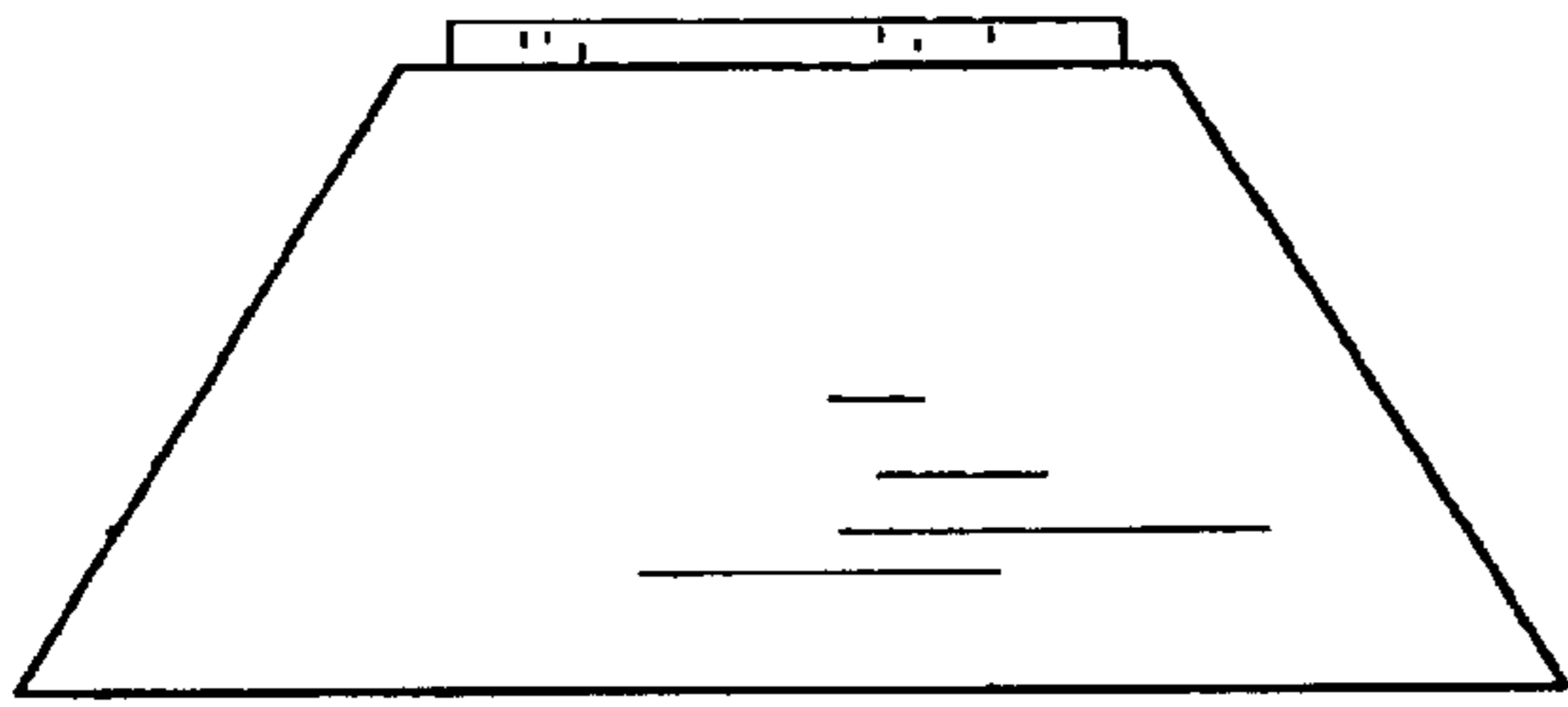


FIG. 3

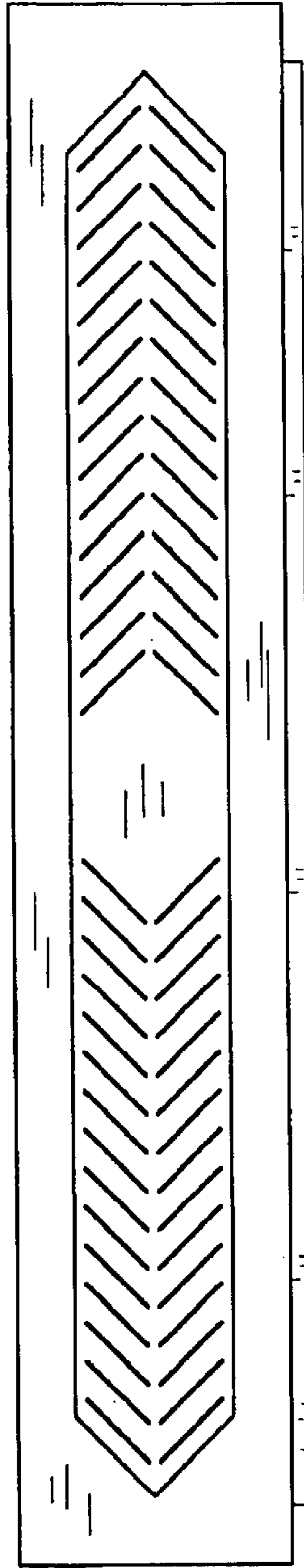


FIG. 4

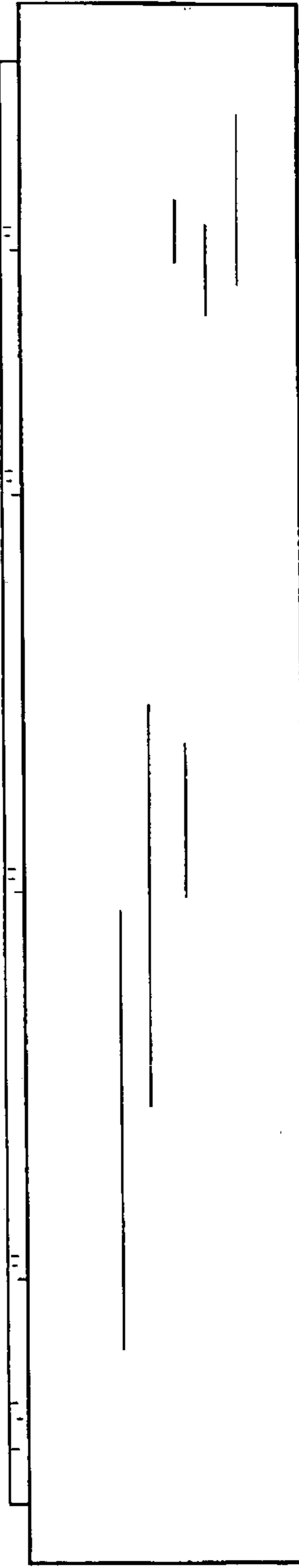


FIG. 5

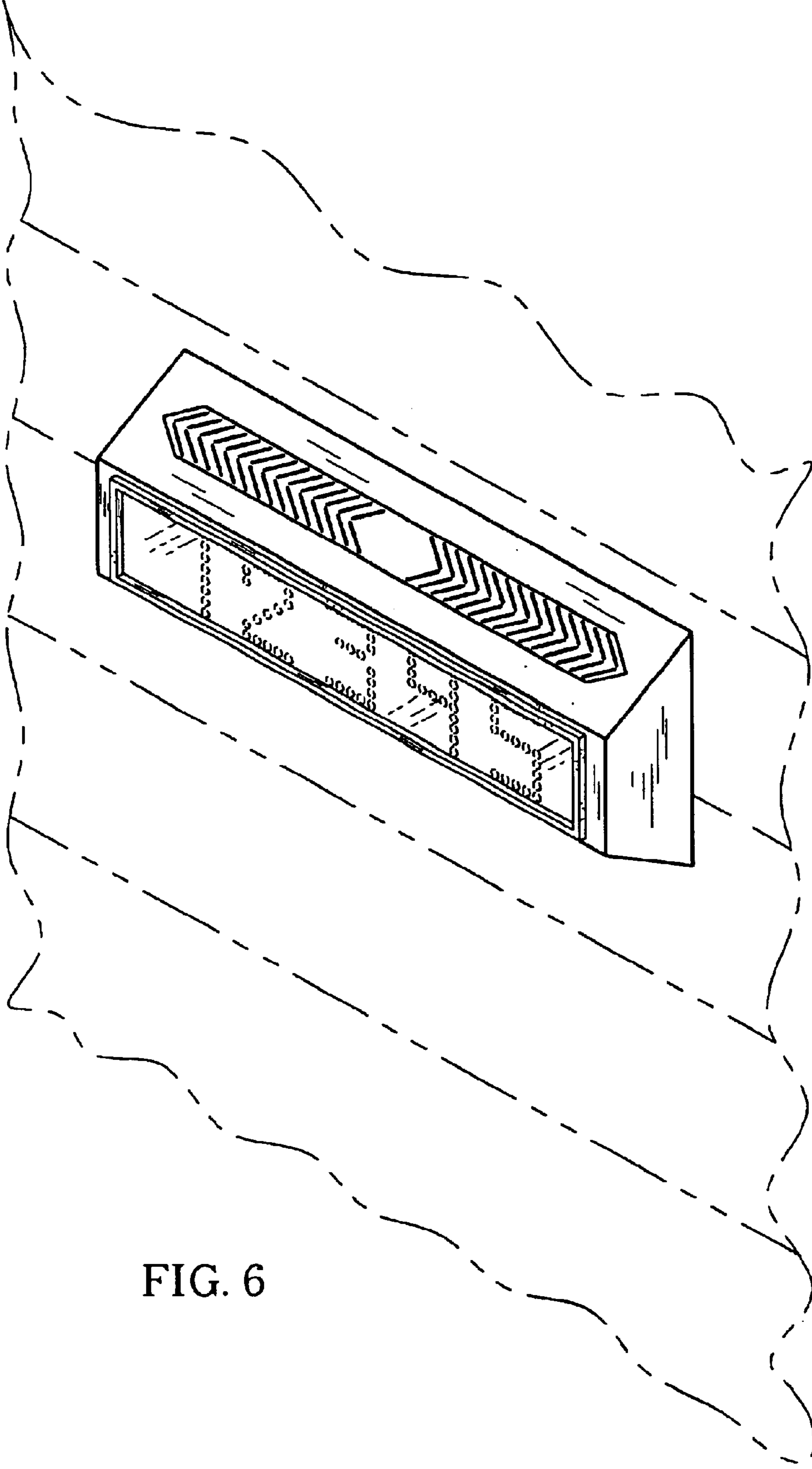


FIG. 6