

US00D497391S1

(12) **United States Design Patent** (10) **Patent No.:** **US D497,391 S**
Stravitz (45) **Date of Patent:** **** Oct. 19, 2004**

(54) **MULTILEVEL SORTER WITH CENTER COMPARTMENT AND OPEN ENDS**

(76) **Inventor:** **David M. Stravitz**, 16 Park Ave. - Suite 14A, New York, NY (US) 10016

(**) **Term:** **14 Years**

(21) **Appl. No.:** **29/192,912**

(22) **Filed:** **Oct. 31, 2003**

(51) **LOC (7) Cl.** **19-02**

(52) **U.S. Cl.** **D19/90; D6/567**

(58) **Field of Search** D6/553, 476, 567, D6/569-571; D19/35, 36, 65, 75, 76, 77, 78, 90, 91, 92, 95, 99, 100; 211/10, 11, 42.1, 45, 50, 42.12, 55, 87.01, 88.01, 126.1, 126.13; 312/183, 184, 290

(56) **References Cited**

U.S. PATENT DOCUMENTS

1,331,682	A	*	2/1920	Smith	211/55	X
D241,136	S	*	8/1976	Ellis et al.	D19/90	
4,228,904	A	*	10/1980	Dumond	211/55	
D269,574	S	*	7/1983	Dougherty	D19/90	X
D277,969	S	*	3/1985	Bustos	D19/75	
D381,362	S	*	7/1997	Meyer	D19/90	
D390,268	S	*	2/1998	Stravitz	D19/90	
5,826,730	A	*	10/1998	Stravitz	211/55	
D411,399	S	*	6/1999	Stravitz	D6/567	
D413,749	S	*	9/1999	Stravitz	D6/567	
D421,687	S		3/2000	Curci			
D432,578	S	*	10/2000	Stravitz	D19/91	
D451,744	S		12/2001	Stravitz			
D453,276	S		2/2002	Stravitz			
D459,398	S	*	6/2002	Stravitz	D19/90	

OTHER PUBLICATIONS

U.S. patent application Ser. No. 10/702,206 filed Nov. 4, 2003; David M. Stravitz (inventor); Multi-Level Sorter/Organizer With Optional Intermediate Compartment.

U.S. patent application Ser. No. 29/192,930 filed Oct. 31, 2003; David M. Stravitz (inventor); Multi-Level Sorter With Open Ends.

U.S. patent application Ser. No. 29/198,137 filed Jan. 26, 2004; David M. Stravitz (inventor); Multi-Level Sorter With at Least One Vertical Bin.

* cited by examiner

Primary Examiner—Martie K. Holtje

(74) *Attorney, Agent, or Firm*—Frishauf, Holtz, Goodman & Chick, P.C.

(57) **CLAIM**

The ornamental design for a multilevel sorter with center compartment and open ends, as shown and described.

DESCRIPTION

FIG. 1 is a front, top, right side perspective view of a multilevel sorter with center compartment and open ends showing my new design;

FIG. 2 is a front elevational view thereof;

FIG. 3 is a top plan view thereof;

FIG. 4 is a left side view thereof, the right side view being a mirror image; and

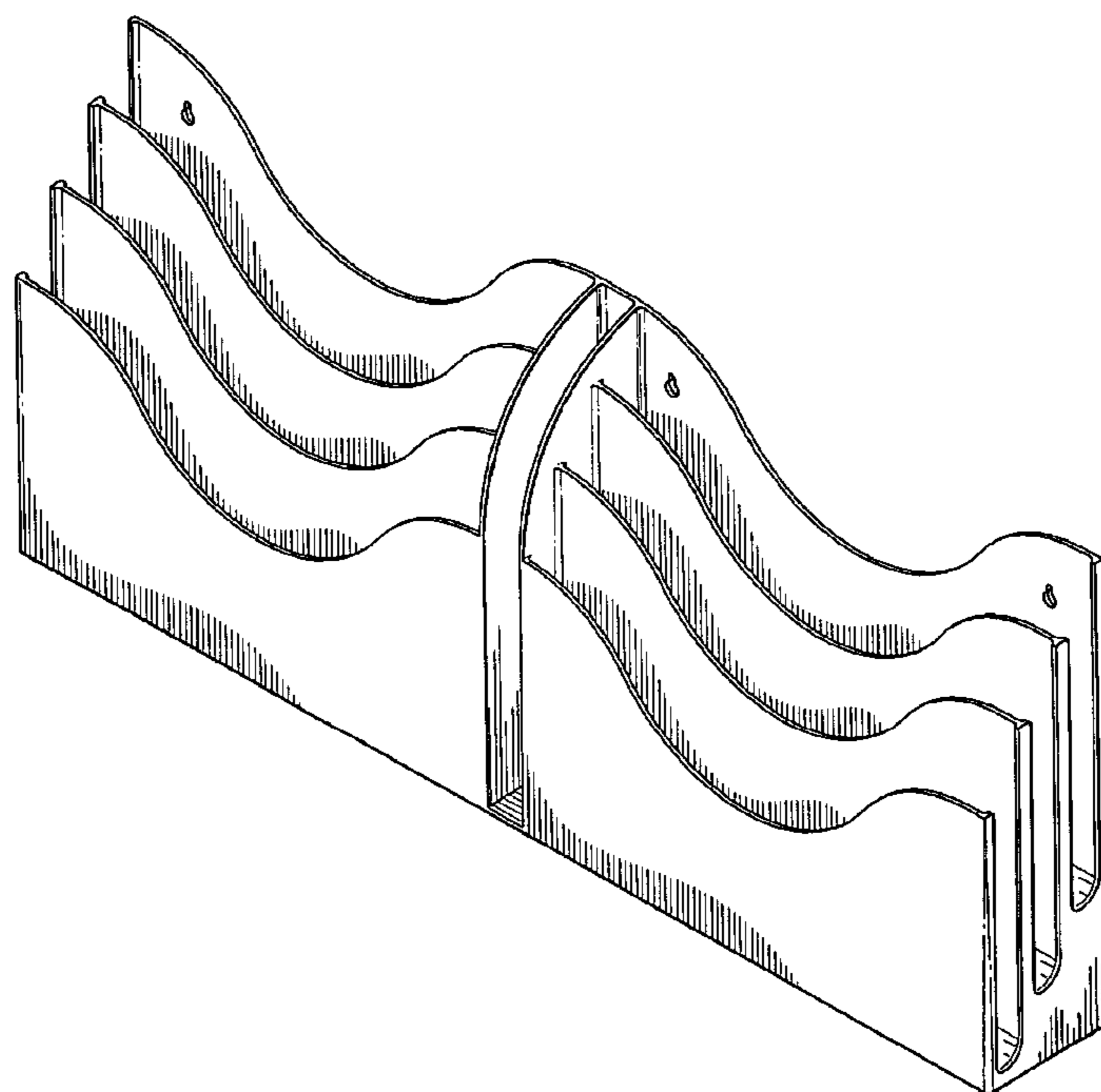
FIG. 5 is a rear elevational view thereof;

FIG. 6 is a bottom plan view thereof; and,

FIG. 7 is a rear, bottom, right side perspective view thereof.

The broken line showing of the openings in FIGS. 3, 5, 6 and 7 is for illustrative purposes only and forms no part of the claimed design.

1 Claim, 4 Drawing Sheets



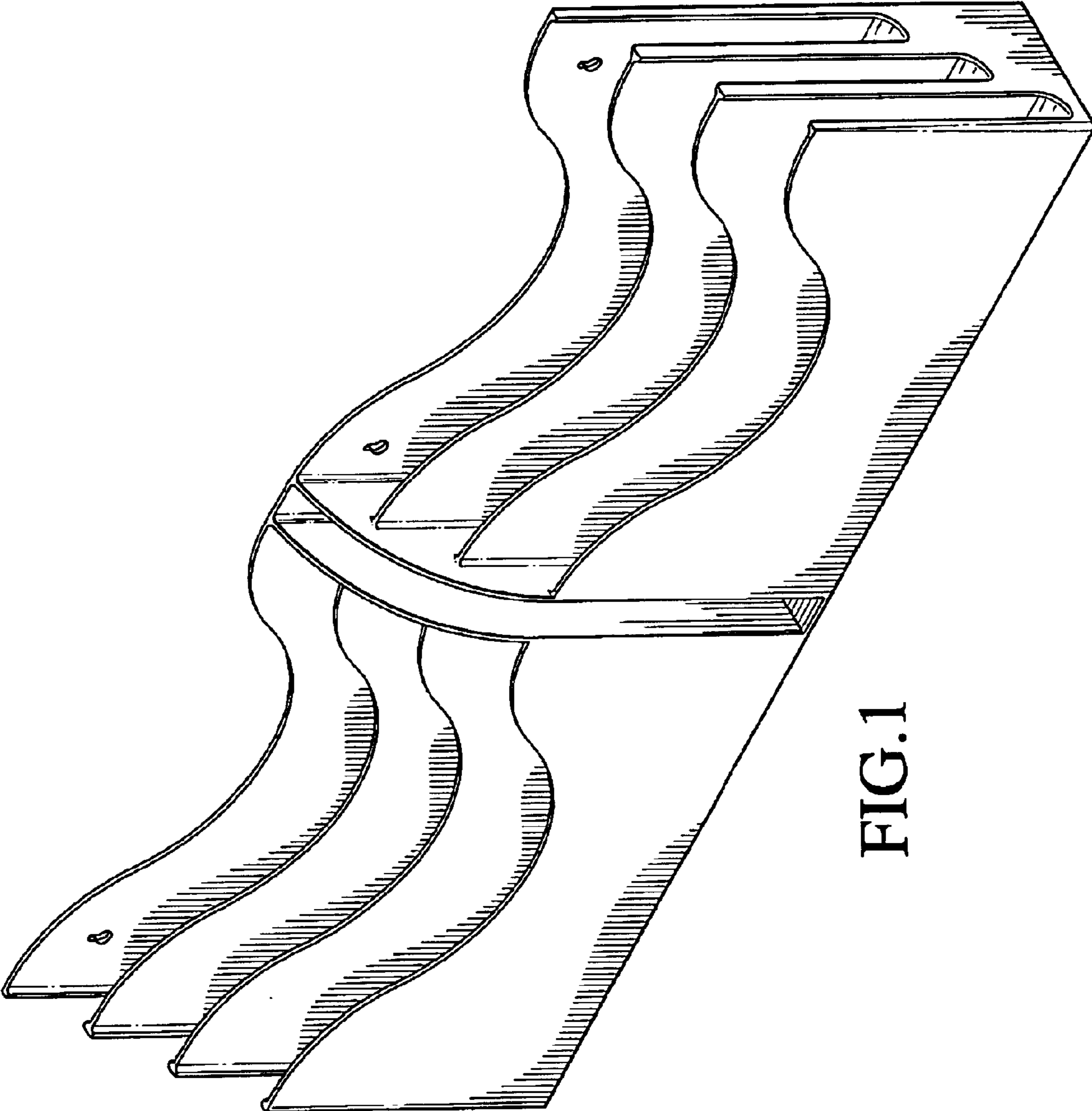


FIG.1

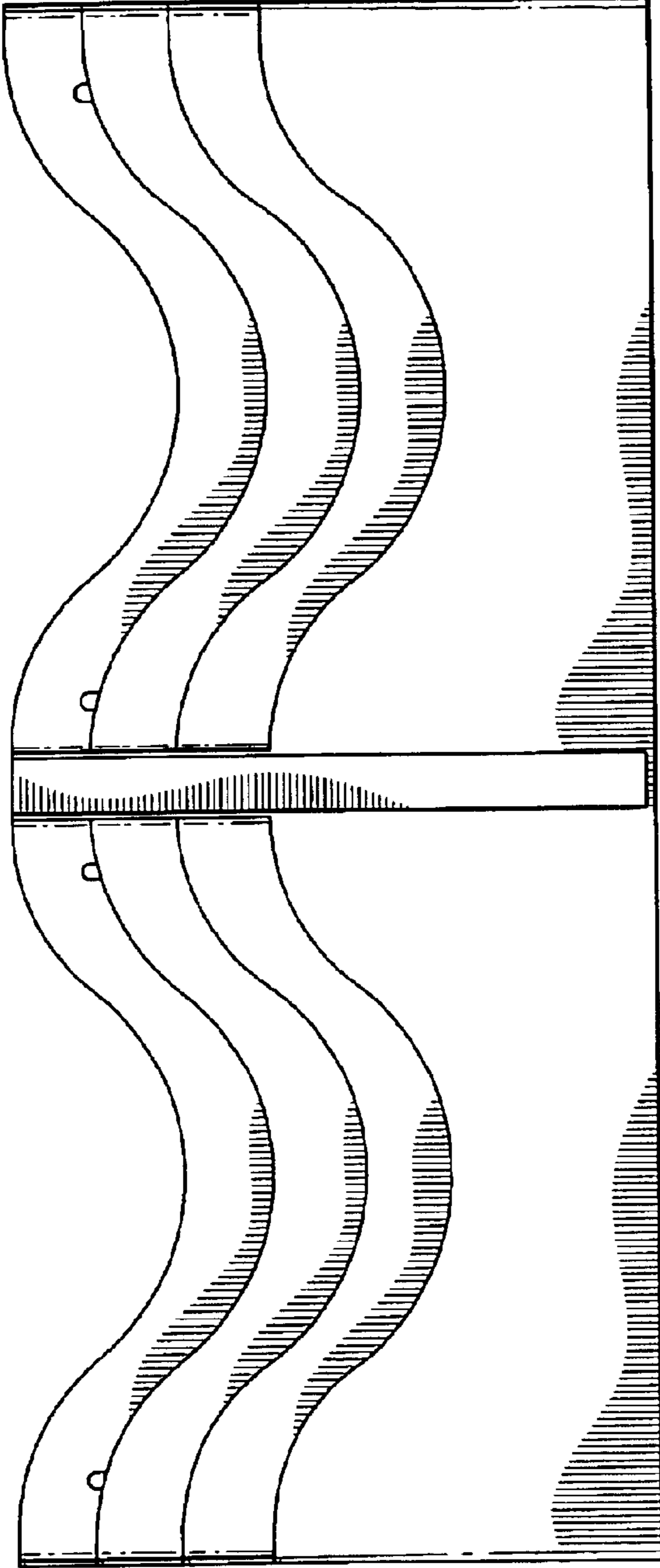


FIG. 2

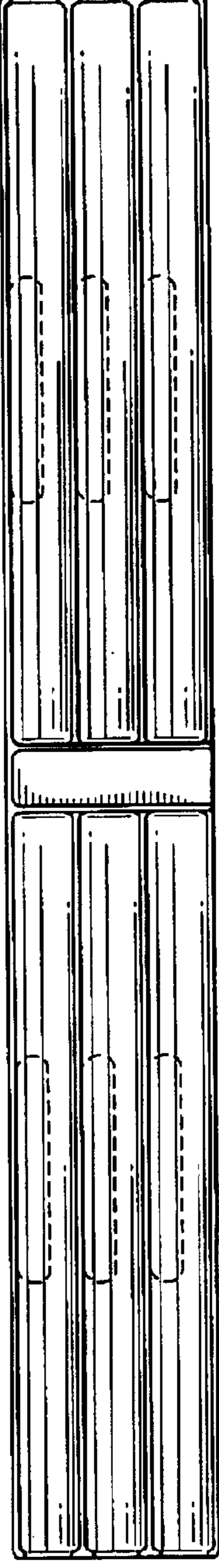


FIG. 3

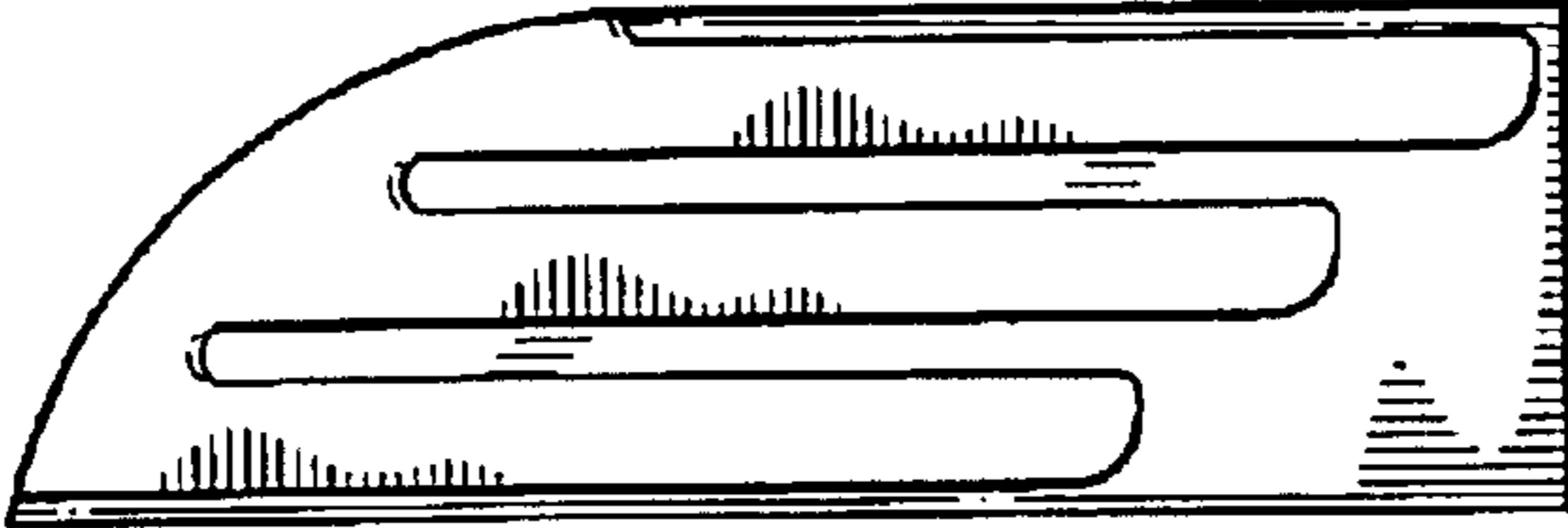


FIG. 4

FIG.5

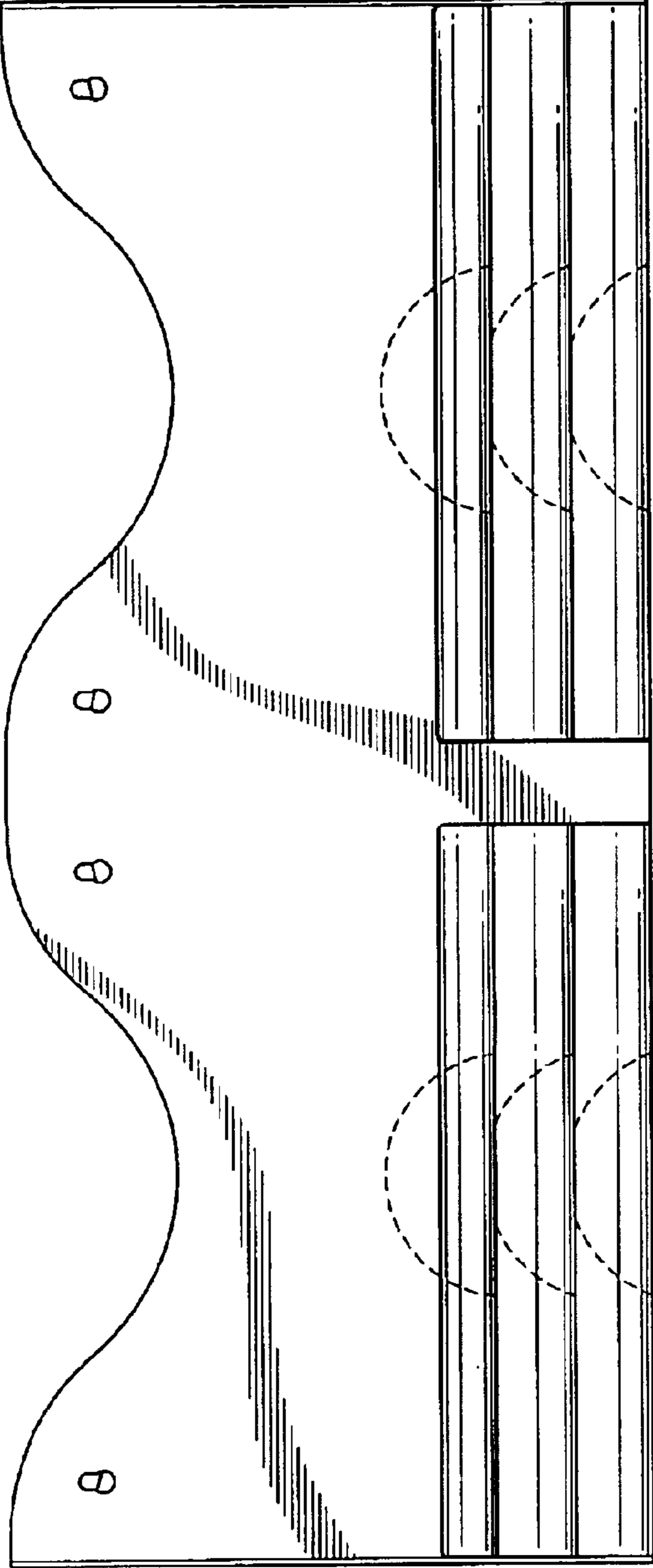


FIG.6

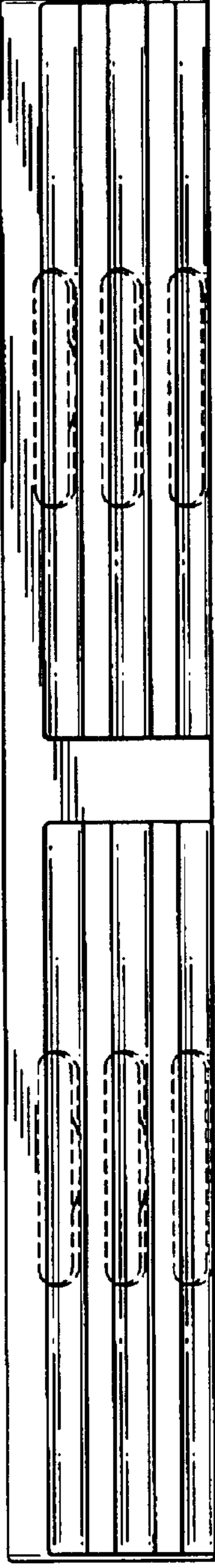


FIG. 7

