

US00D497388S1

(12) **United States Design Patent**
Kit

(10) **Patent No.:** **US D497,388 S**

(45) **Date of Patent:** **** Oct. 19, 2004**

(54) **FOUR-IN-ONE PEN**

(75) **Inventor:** **Lai Chun Kit, Kowloon (HK)**

(73) **Assignee:** **Premium Collection Industries Limited, Kowloon (HK)**

(**) **Term:** **14 Years**

(21) **Appl. No.:** **29/200,188**

(22) **Filed:** **Feb. 25, 2004**

(51) **LOC (7) Cl. 19-06**

(52) **U.S. Cl. D19/36; D19/51**

(58) **Field of Search 132/314; D19/35, D19/36, 41-51, 53-58, 81-85; 401/6, 7, 52, 88, 18-21, 29-34, 99-106, 107-117, 124, 209, 195, 196, 198, 260, 261; D14/411**

(56) **References Cited**

U.S. PATENT DOCUMENTS

D141,850 S	*	7/1945	Sanders	D19/36
2,458,063 A	*	1/1949	Dulberg	132/314
D152,847 S	*	2/1949	Weiss	D19/36
D158,051 S	*	4/1950	Compas	D19/66
2,590,329 A	*	3/1952	Kromray	401/124

D220,296 S	*	3/1971	Berlin	D19/51
5,762,077 A	*	6/1998	Griffiths, Jr.	401/18 X
5,957,601 A	*	9/1999	Weiss	401/18
6,190,076 B1	*	2/2001	Yeh	401/34 X
D465,806 S	*	11/2002	Hu	D19/36

* cited by examiner

Primary Examiner—Martie K. Holtje

(57) **CLAIM**

The ornamental design for a four-in-one pen, as shown and described.

DESCRIPTION

FIG. 1 is a front elevational view of a four-in-one pen showing my new design;
 FIG. 2 is a rear elevational view thereof;
 FIG. 3 is a top plan view thereof;
 FIG. 4 is a bottom plan view thereof;
 FIG. 5 is a left side elevational view thereof;
 FIG. 6 is a right side elevational view thereof;
 FIG. 7 is a front top perspective view thereof;
 FIG. 8 is a rear bottom perspective view thereof; and,
 FIG. 9 is a front top perspective view thereof in an exploded condition.

1 Claim, 4 Drawing Sheets

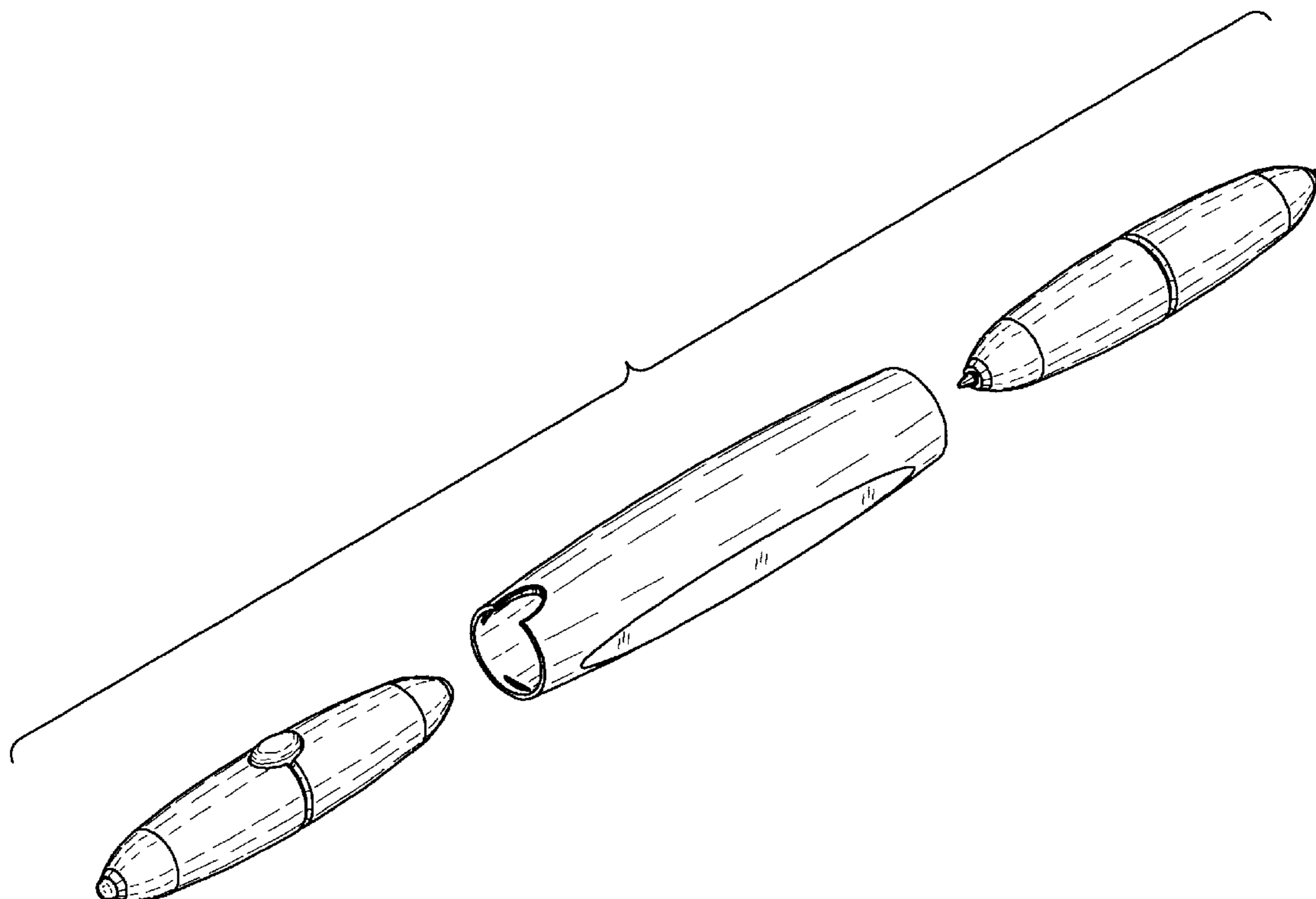




Fig.1



Fig.2

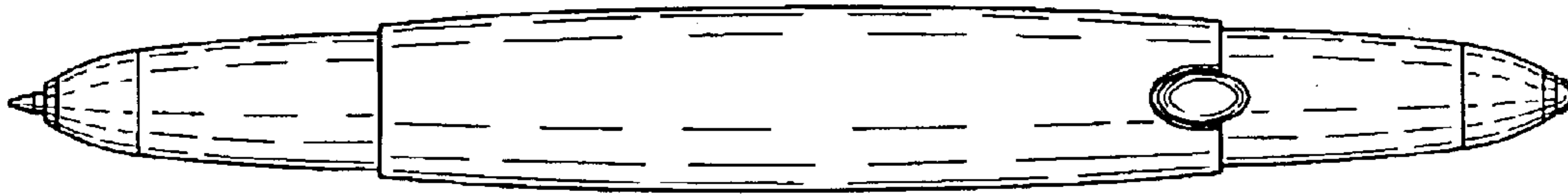


Fig.3

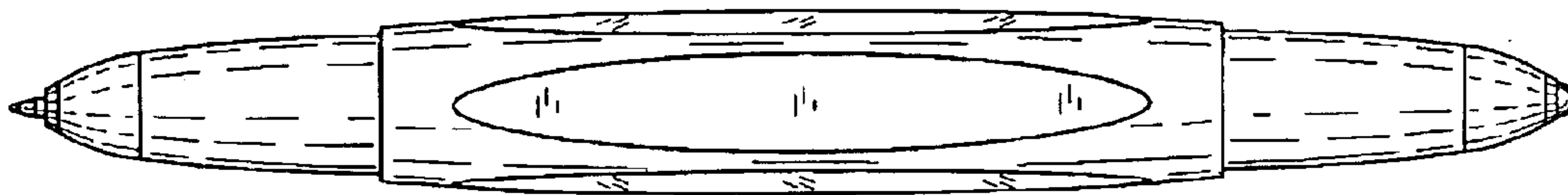


Fig.4

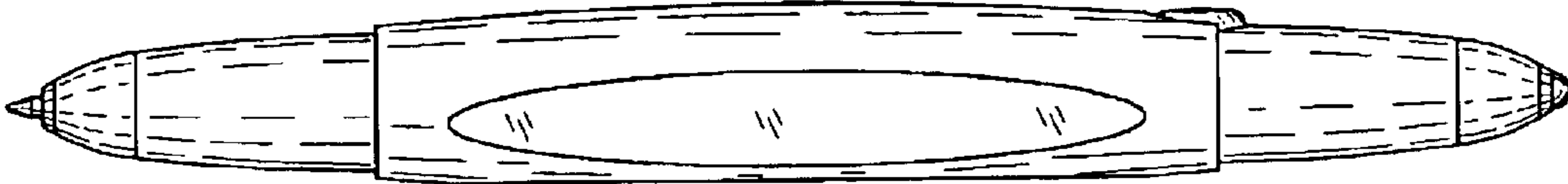


Fig.5

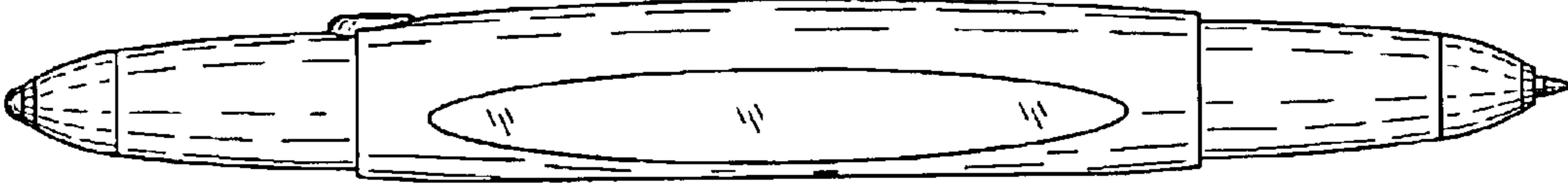


Fig.6

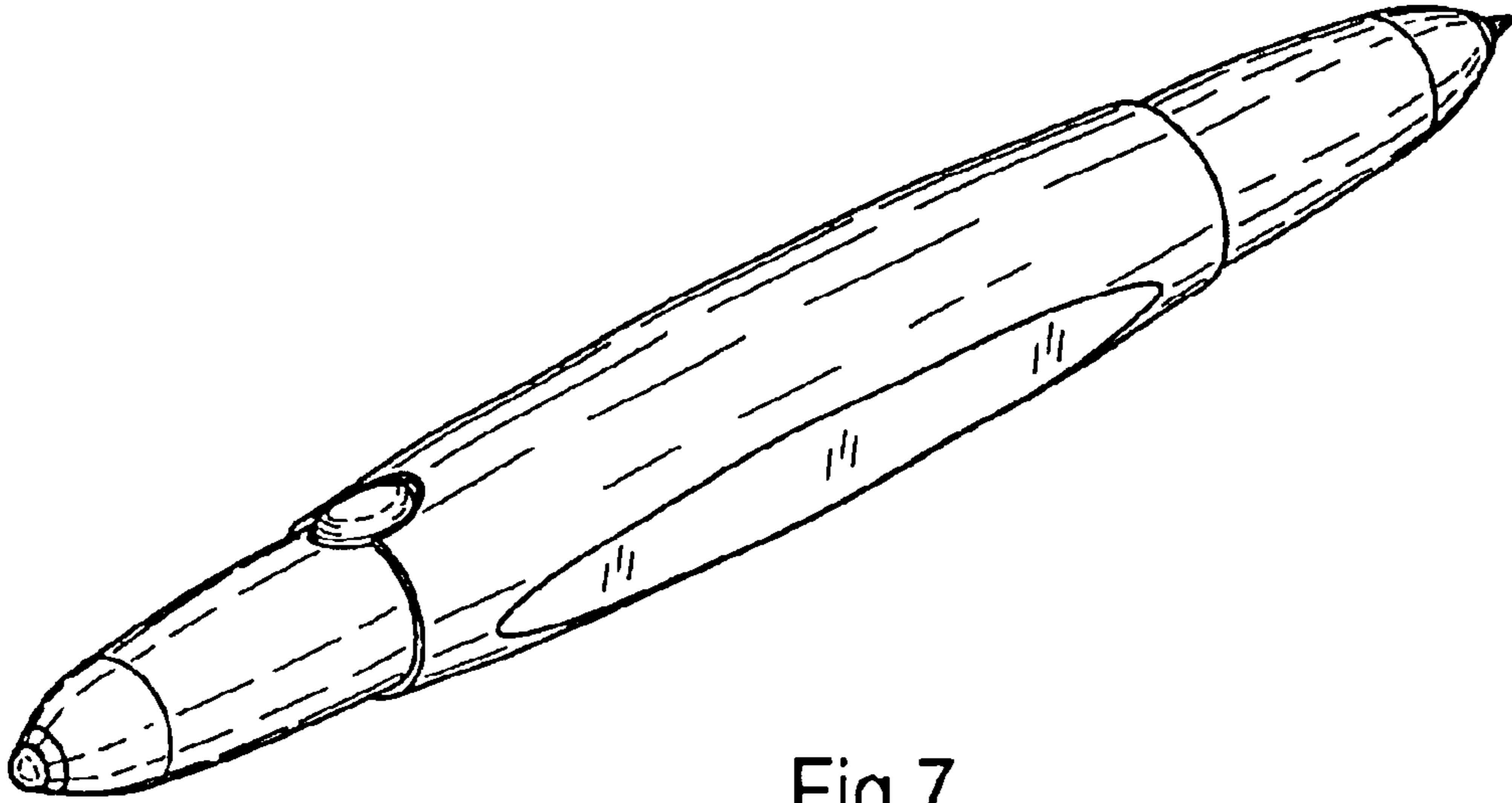


Fig.7

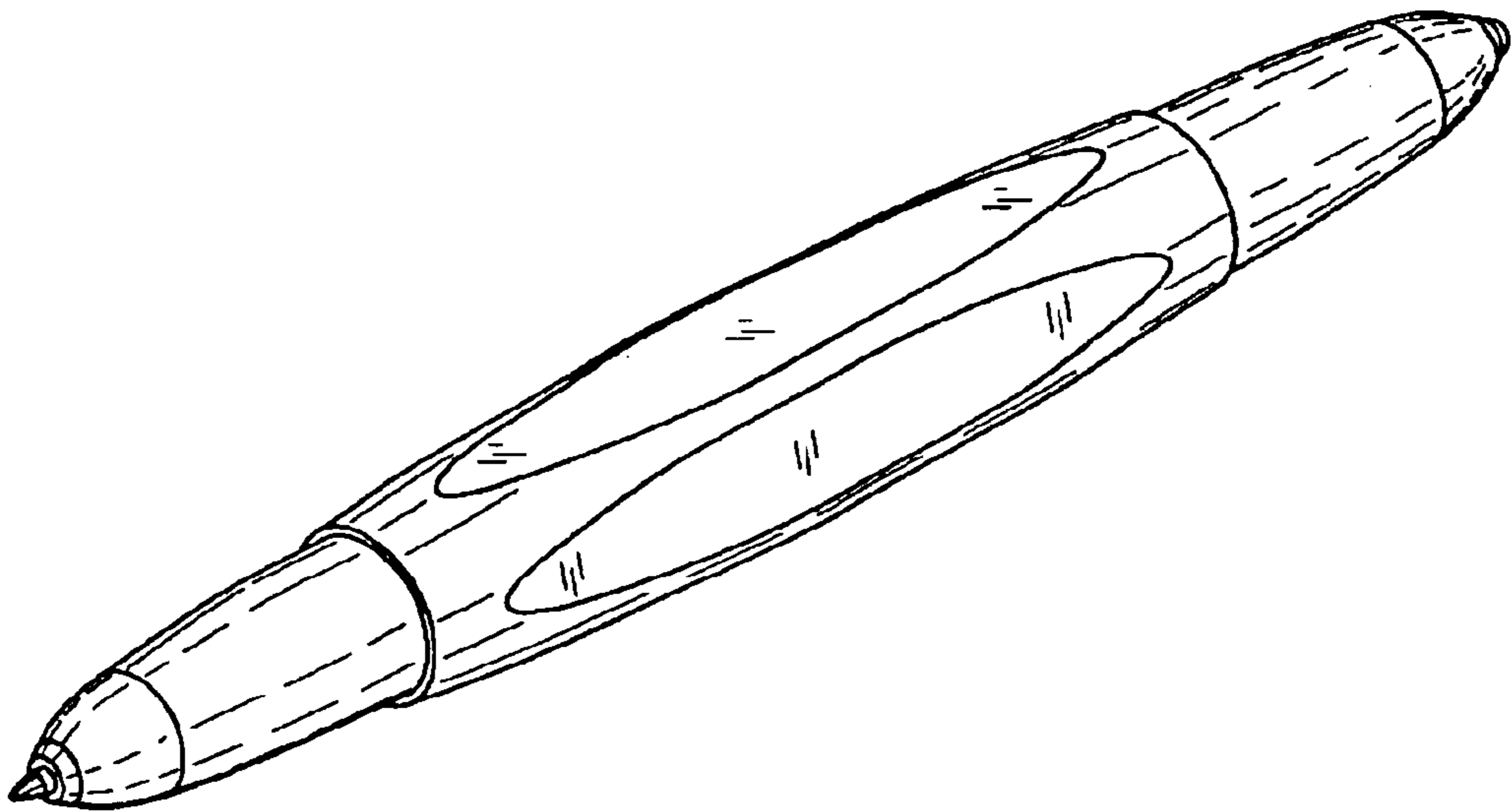


Fig.8

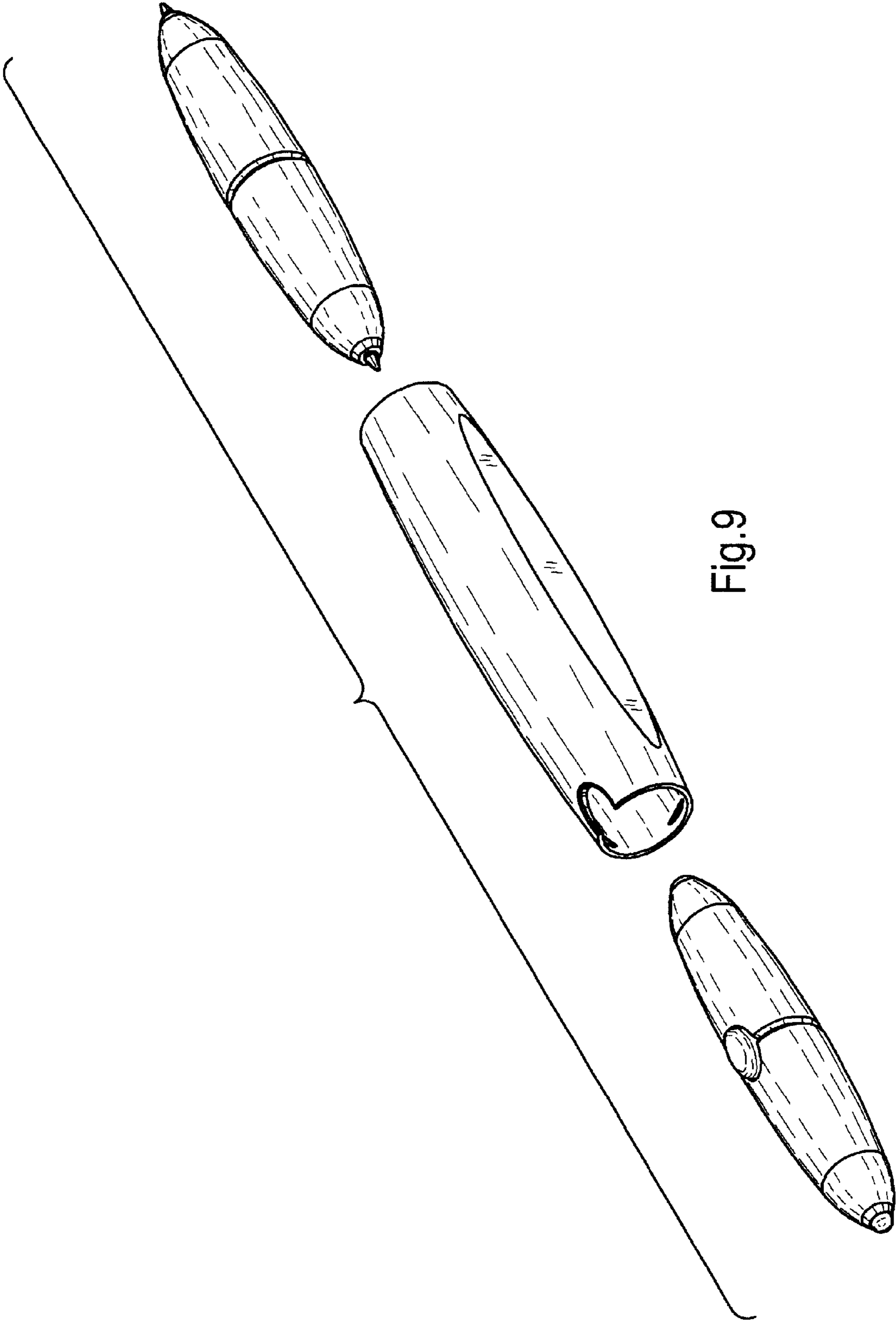


Fig.9