

US00D497387S1

(12) **United States Design Patent**
Cetera

(10) **Patent No.:** **US D497,387 S**
(45) **Date of Patent:** **** Oct. 19, 2004**

- (54) **STYLUS PEN**
- (75) **Inventor:** **Carl Cetera**, Tenafly, NJ (US)
- (73) **Assignee:** **Cotapaxi Inc.**, Englewood, NJ (US)
- (**) **Term:** **14 Years**
- (21) **Appl. No.:** **29/185,084**
- (22) **Filed:** **Jun. 19, 2003**
- (51) **LOC (7) Cl.** **19-06**
- (52) **U.S. Cl.** **D19/36; D19/55; D19/56;**
D14/411
- (58) **Field of Search** D14/411; D19/35,
D19/36, 41-51, 53-58, 81-85; 401/6, 7,
88, 52, 29-34, 99-102, 103-106, 107-117,
209, 195, 243; 345/179-183; 178/19.01-19.05;
24/10 R, 11 R, 11 PP, 11 P, 11 HC

- D431,598 S * 10/2000 Kim et al. D19/36
- 6,227,743 B1 * 5/2001 Robb 401/243
- 6,254,295 B1 * 7/2001 Cheng 401/30
- D458,635 S * 6/2002 Boyle et al. D19/36
- D483,065 S * 12/2003 Cetera D19/36
- D489,085 S * 4/2004 Willat et al. D14/411 X

* cited by examiner

Primary Examiner—Martie K. Holtje
(74) *Attorney, Agent, or Firm*—Brian Carpenter

(57) **CLAIM**

The ornamental design for a stylus pen, as shown and described.

DESCRIPTION

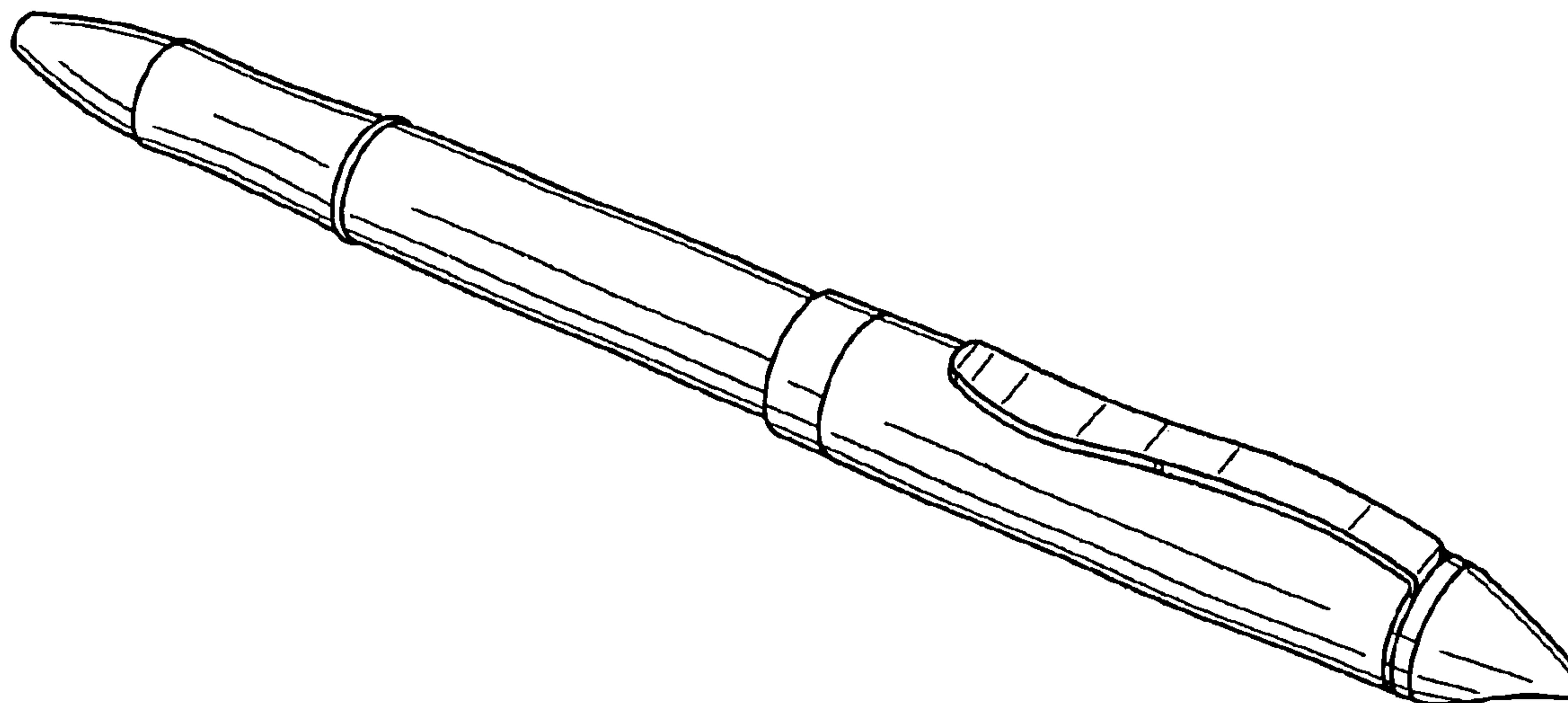
FIG. 1 is a top, left front perspective view of a stylus pen showing my new design;
FIG. 2 is a left side elevational view thereof, the right side view being a mirror image thereof;
FIG. 3 is a front elevational view thereof;
FIG. 4 is a rear elevational view thereof;
FIG. 5 is a top plan view thereof; and,
FIG. 6 is a bottom plan view thereof.

(56) **References Cited**

U.S. PATENT DOCUMENTS

- D206,636 S * 1/1967 Zierhut et al. D19/51
- D377,195 S * 1/1997 Takahashi D19/56 X
- D401,967 S * 12/1998 Tam D19/36

1 Claim, 1 Drawing Sheet



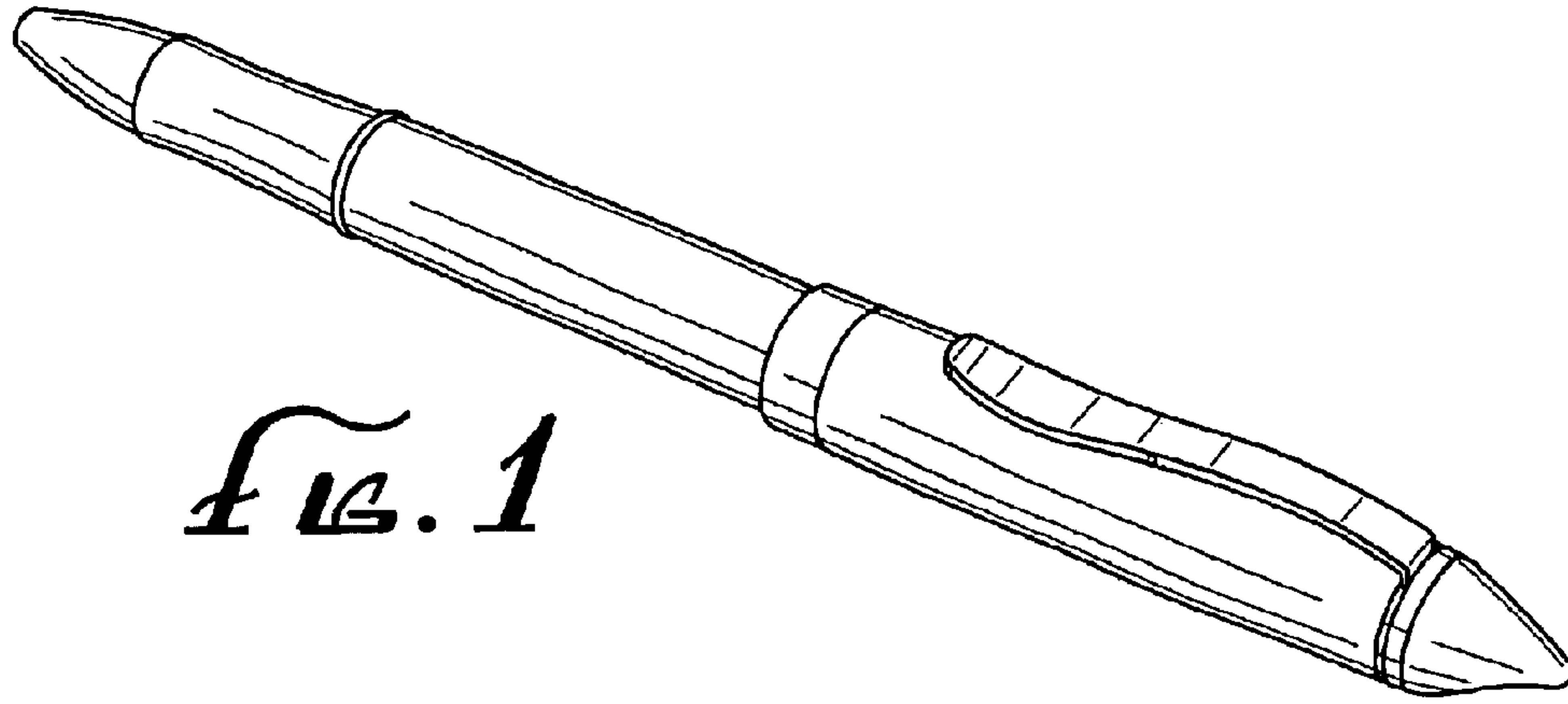


FIG. 1

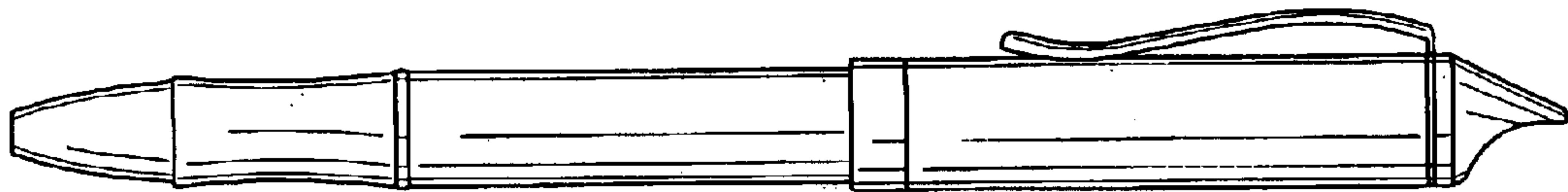


FIG. 2

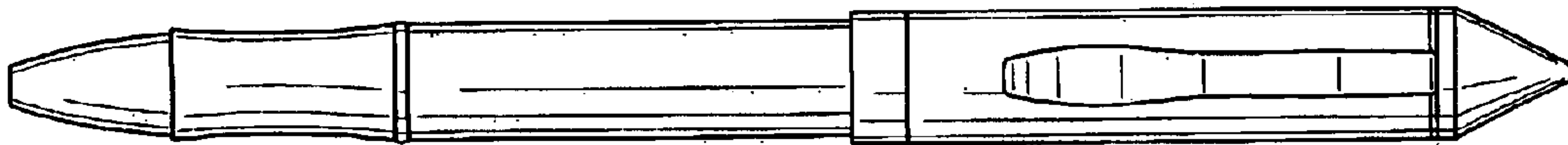


FIG. 3

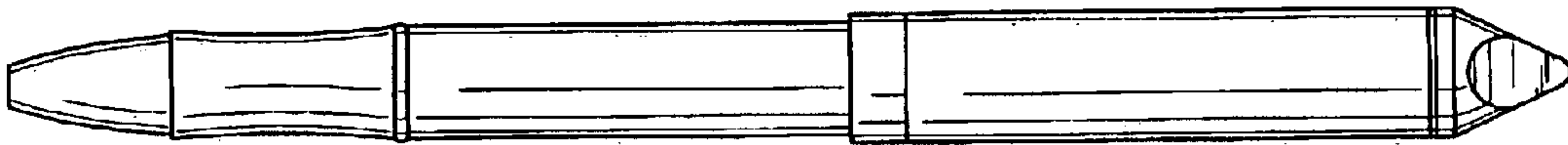


FIG. 4

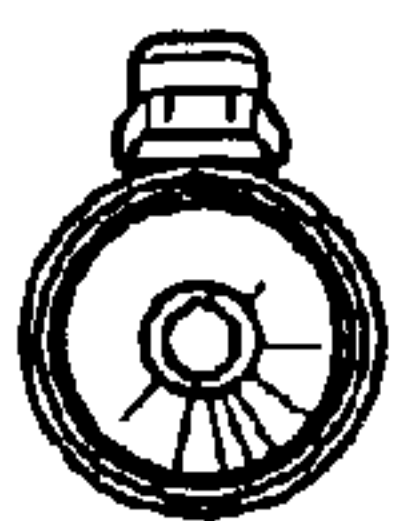


FIG. 5

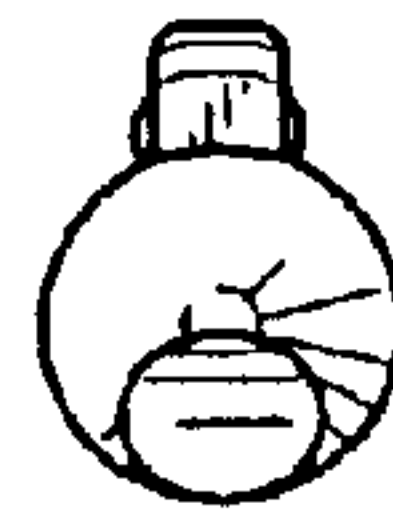


FIG. 6