

US00D497382S1

(12) **United States Design Patent**
Uchiyama

(10) **Patent No.:** **US D497,382 S**

(45) **Date of Patent:** **** Oct. 19, 2004**

(54) **PRINTER WITH COPYING, SCANNING AND FACSIMILE FUNCTIONS**

D450,756 S * 11/2001 Fetherolf et al. D18/55
D460,479 S * 7/2002 Bishop et al. D18/55

(75) Inventor: **Yoichi Uchiyama**, Nagoya (JP)

* cited by examiner

(73) Assignee: **Brother Industries, Ltd.**, Nagoya (JP)

Primary Examiner—Cathy Anne MacCormac
(74) *Attorney, Agent, or Firm*—Oliff & Berridge, PLC

(**) Term: **14 Years**

(57) **CLAIM**

(21) Appl. No.: **29/178,298**

The ornamental design for a printer with copying, scanning and facsimile functions, as shown and described.

(22) Filed: **Mar. 26, 2003**

DESCRIPTION

(30) **Foreign Application Priority Data**

Dec. 10, 2002 (JP) 2002-034302

(51) **LOC (7) Cl.** **18-02**

(52) **U.S. Cl.** **D18/50**

(58) **Field of Search** D18/36-39, 50,
D18/53, 54, 54.1, 55; D14/462-470, 420-425,
496, 349; 400/613, 613.1-613.4, 690.1-690.4,
691-694

FIG. 1 is a perspective view of a printer with copying, scanning and facsimile functions, showing my new design; FIG. 2 is a top plan view thereof; FIG. 3 is a perspective view thereof with the tray in a withdrawn position; FIG. 4 is a top plan view of FIG. 3; FIG. 5 is a front view of FIG. 3; FIG. 6 is a right-side view of FIG. 3; and, FIG. 7 is a left-side view of FIG. 3.

(56) **References Cited**

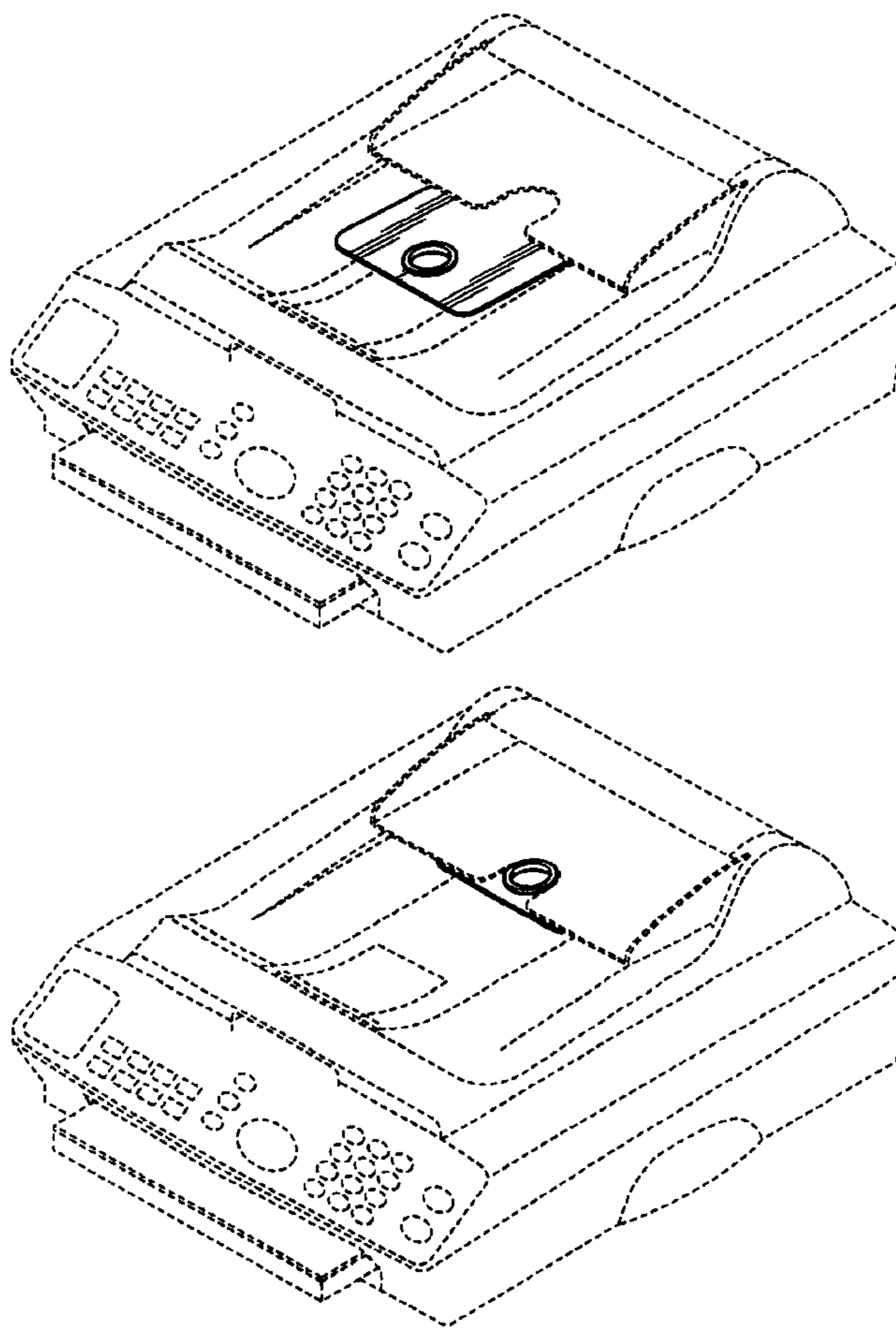
U.S. PATENT DOCUMENTS

D442,625 S * 5/2001 Chiba et al. D18/56
D447,768 S * 9/2001 Shiozaki et al. D18/53

The rear and bottom views contain no ornamentality and are omitted.

The broken line showing is for illustrative purposes only and forms no part of the claimed design.

1 Claim, 5 Drawing Sheets



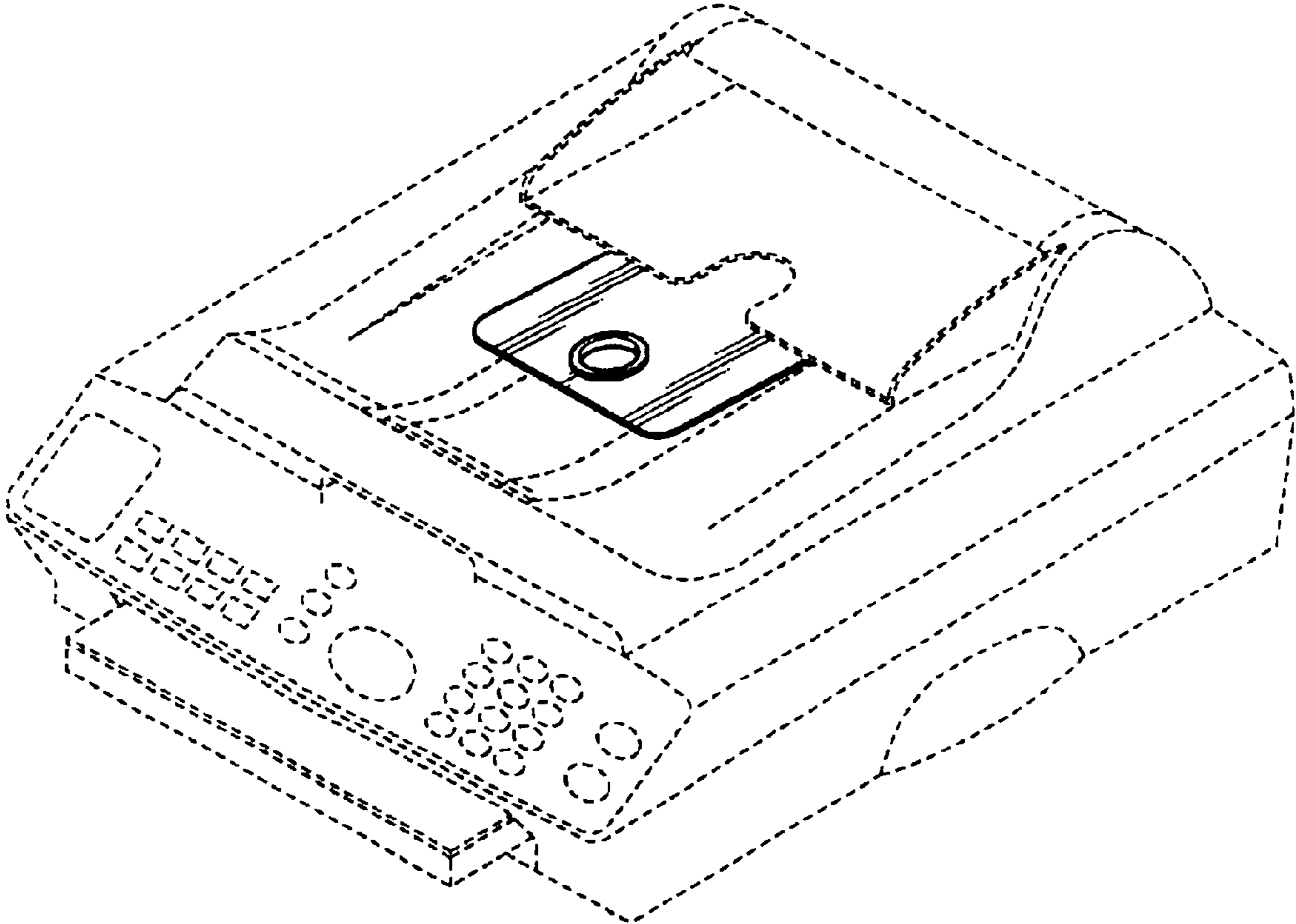


FIG. 1

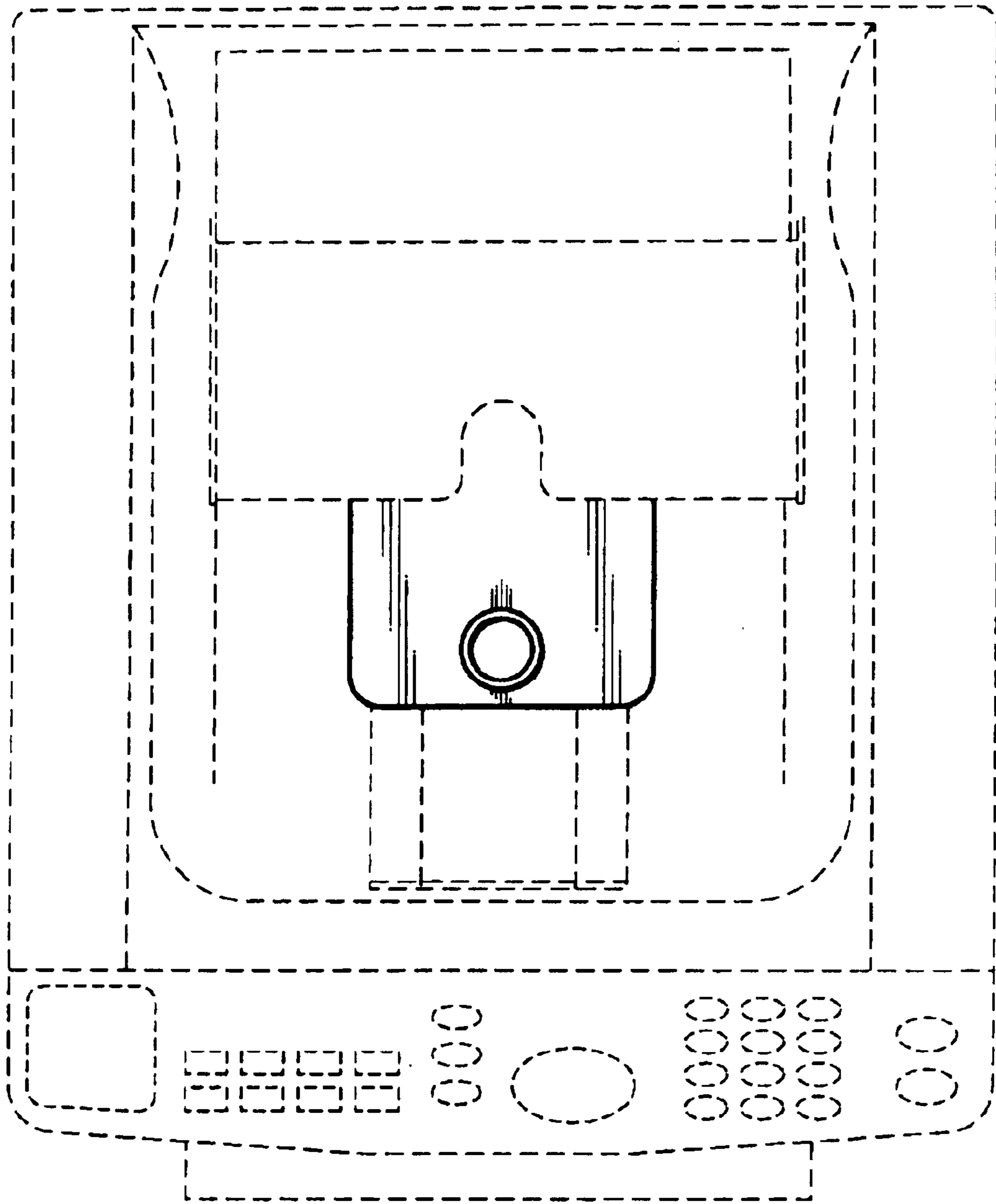


FIG. 2

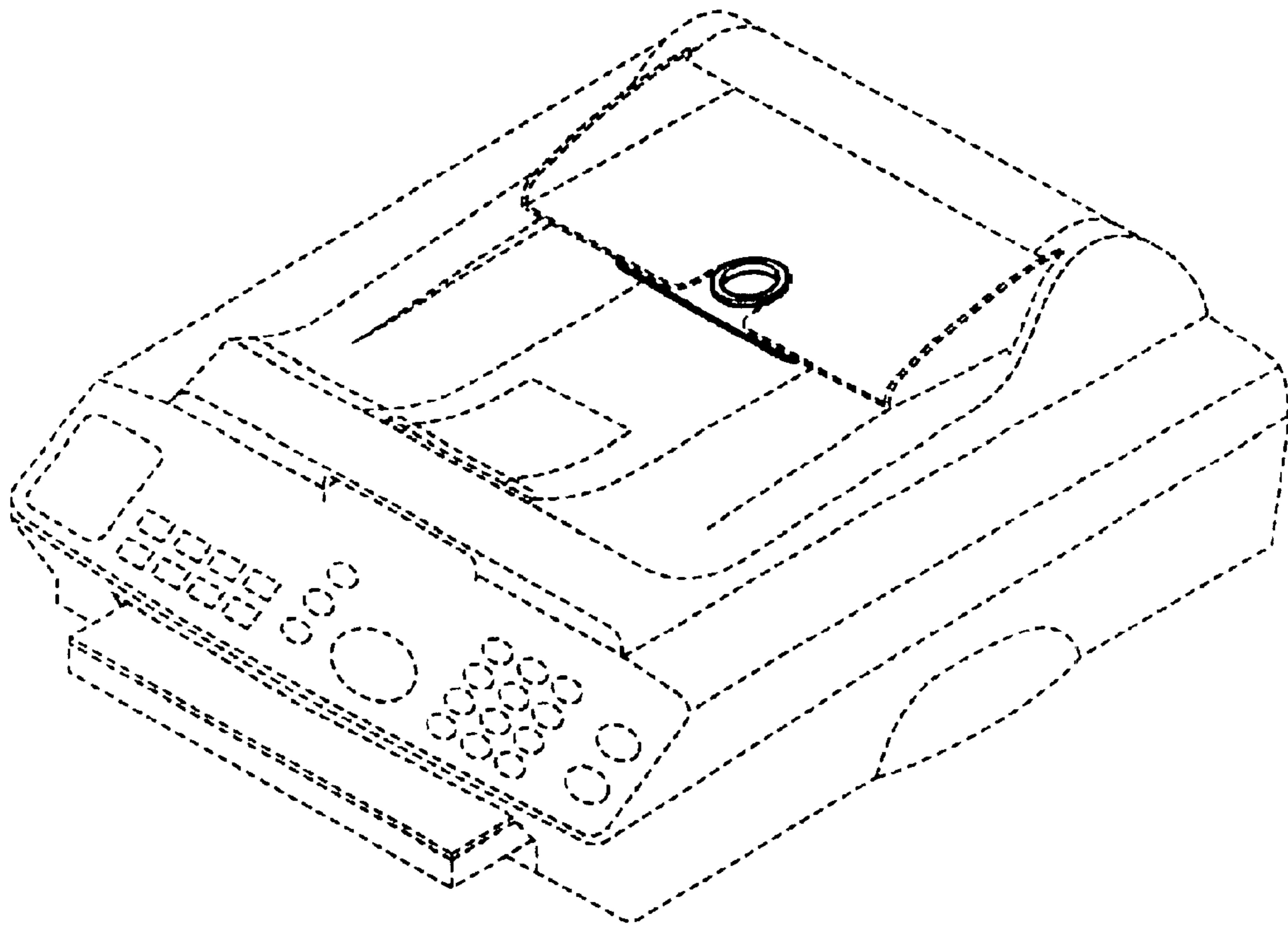


FIG. 3

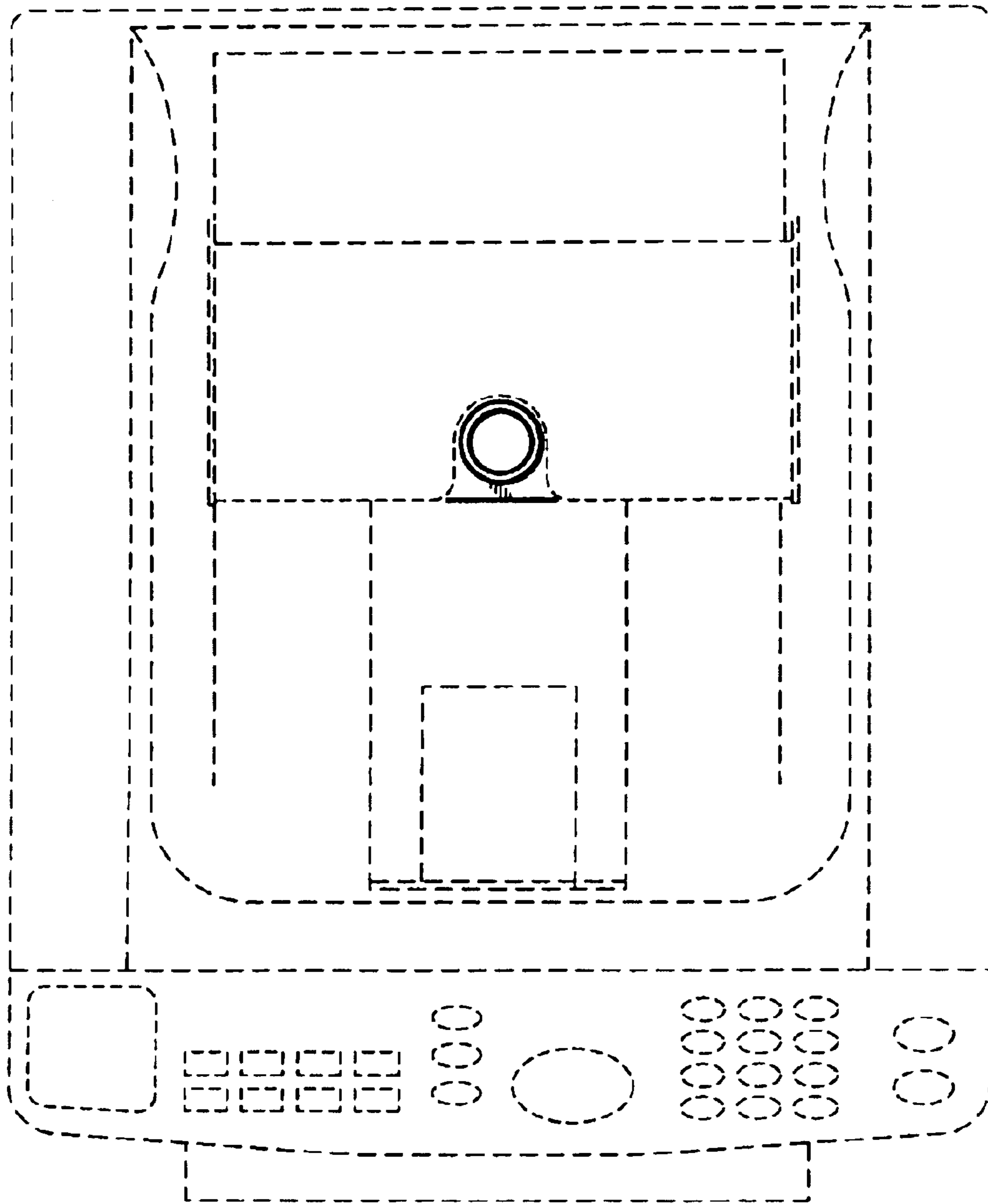


FIG. 4

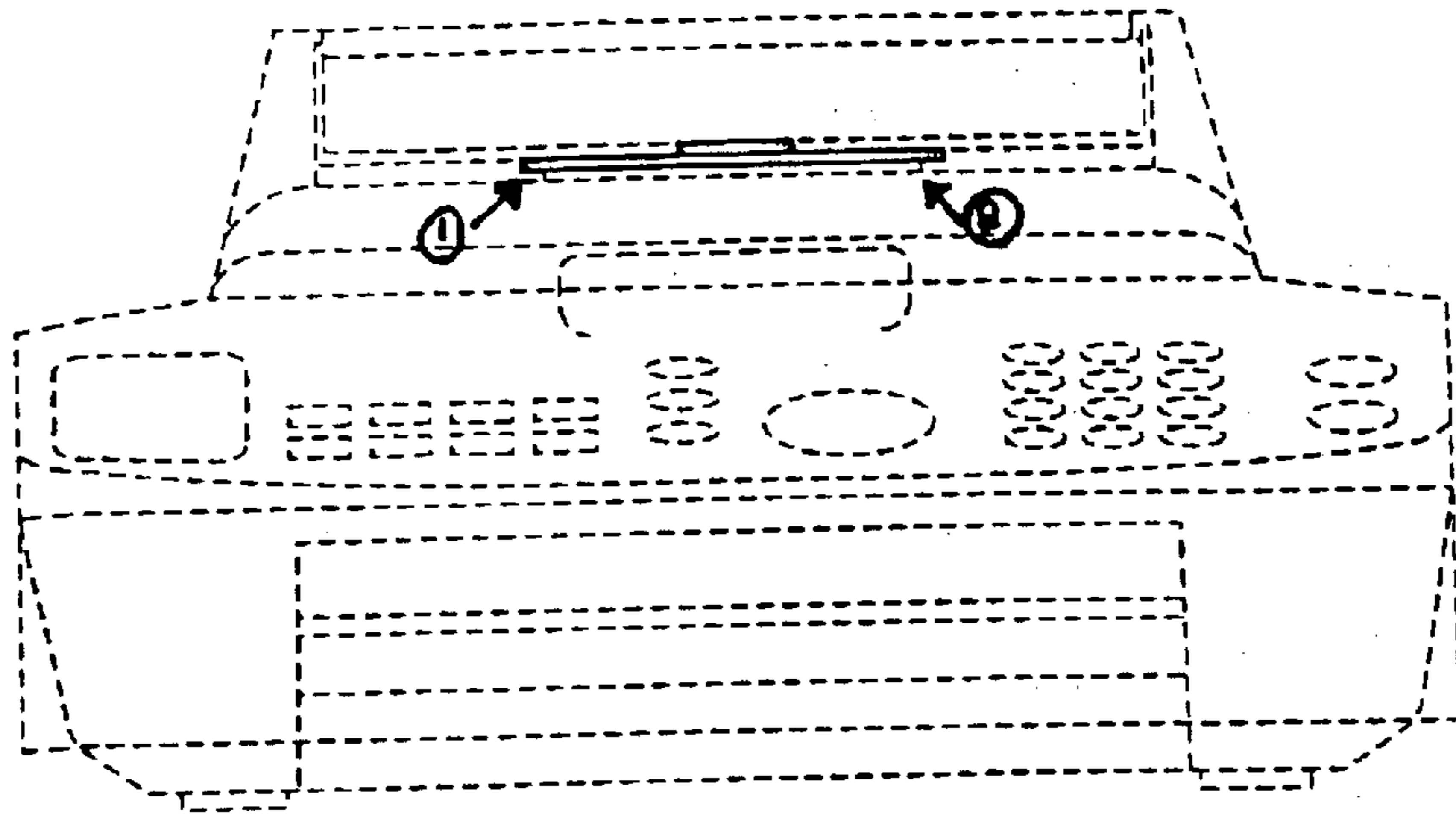


FIG. 5

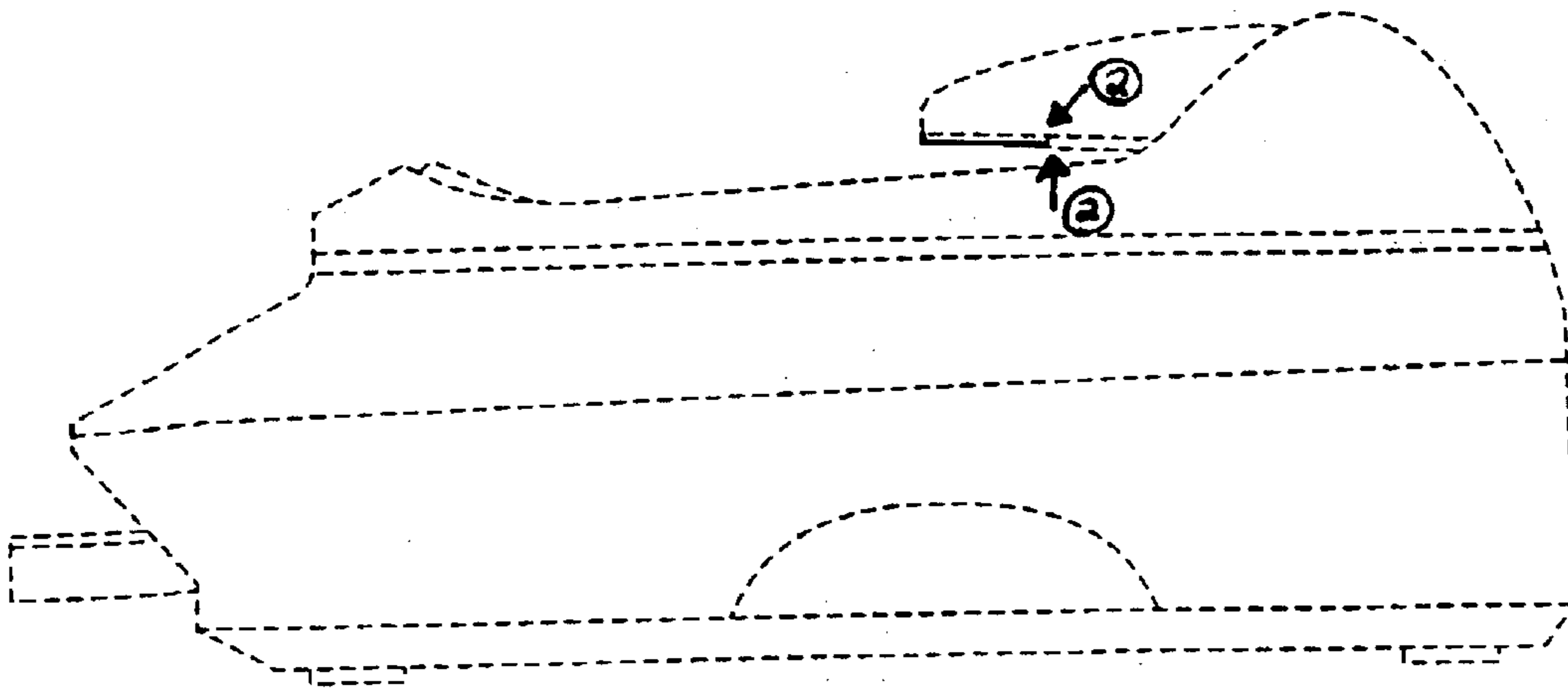


FIG. 6

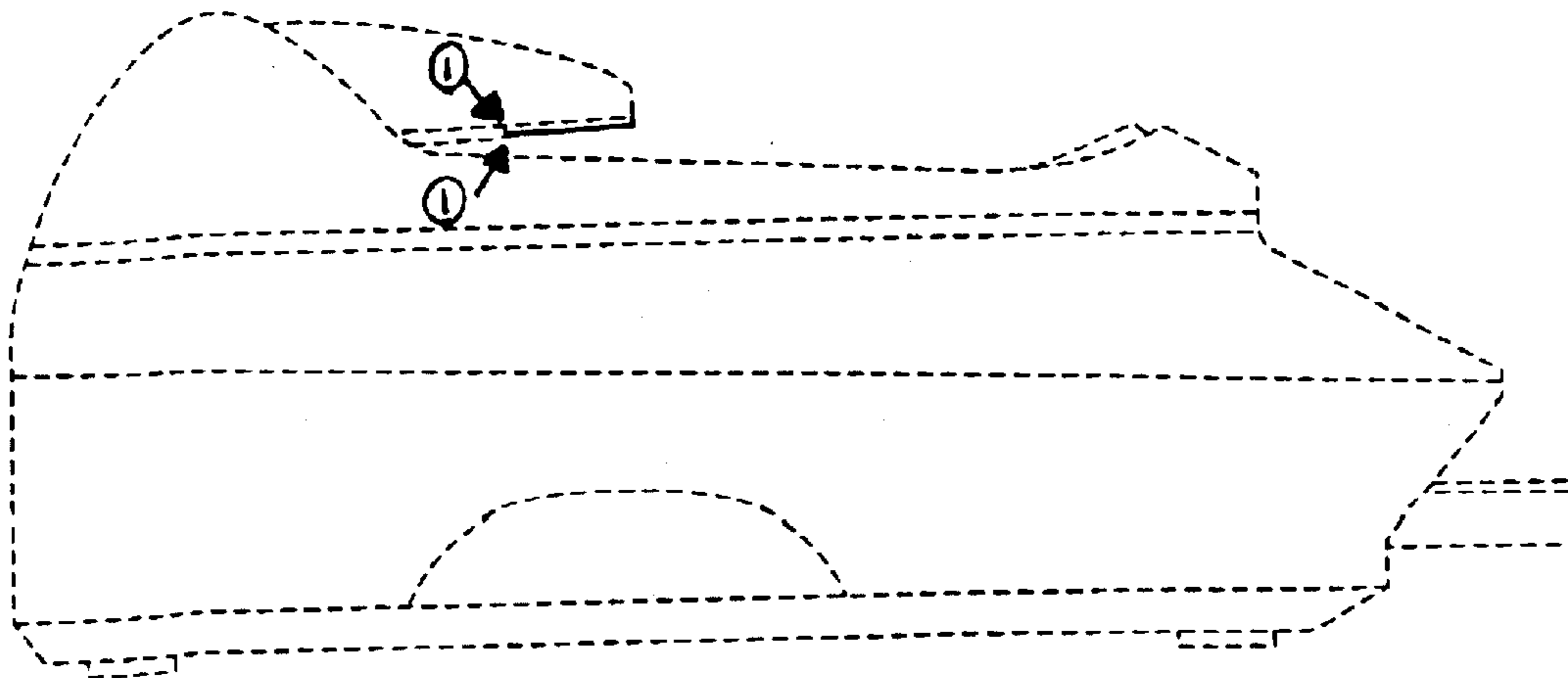


FIG. 7