

US00D497378S1

(12) **United States Design Patent**
Fujii

(10) **Patent No.:** **US D497,378 S**
(45) **Date of Patent:** **** Oct. 19, 2004**

(54) **DIGITAL CAMERA**

(75) Inventor: **Akio Fujii**, Tokyo (JP)

(73) Assignee: **PENTAX Corporation**, Tokyo (JP)

(**) Term: **14 Years**

(21) Appl. No.: **29/200,458**

(22) Filed: **Mar. 1, 2004**

(30) **Foreign Application Priority Data**

Sep. 2, 2003 (JP) 2003-025531

(51) **LOC (7) Cl.** **16-01**

(52) **U.S. Cl.** **D16/202; D16/218**

(58) **Field of Search** **D16/200-204,**
D16/208, 218, 219; 348/373-376; 358/909.1;
396/535-541

(56) **References Cited**

U.S. PATENT DOCUMENTS

5,555,052 A *	9/1996	Pearson	396/538
D457,903 S *	5/2002	Nasu	D16/202
D471,220 S *	3/2003	Hamamura	D16/202
D475,384 S *	6/2003	Tanaka	D16/202
D487,283 S *	3/2004	Watanabe	D16/202

* cited by examiner

Primary Examiner—Adir Aronovich

(74) *Attorney, Agent, or Firm*—Sughrue Mion, PLLC

(57) **CLAIM**

The ornamental design for a digital camera, as shown and described.

DESCRIPTION

FIG. 1 is a perspective view of the top, front and right side of a digital camera showing my new design;

FIG. 2 is a front elevational view thereof;

FIG. 3 is a rear elevational view thereof;

FIG. 4 is a left side elevational view thereof;

FIG. 5 is a right side elevational view thereof;

FIG. 6 is a top plan view thereof;

FIG. 7 is a bottom plan view thereof;

FIG. 8 is a perspective view similar to FIG. 1 with the lens extended; and,

FIG. 9 is a perspective view similar to FIG. 1 with the lens and viewing screen extended.

The portions of the camera in broken lines are shown for illustrative purposes only and form no part of the claimed design.

1 Claim, 7 Drawing Sheets

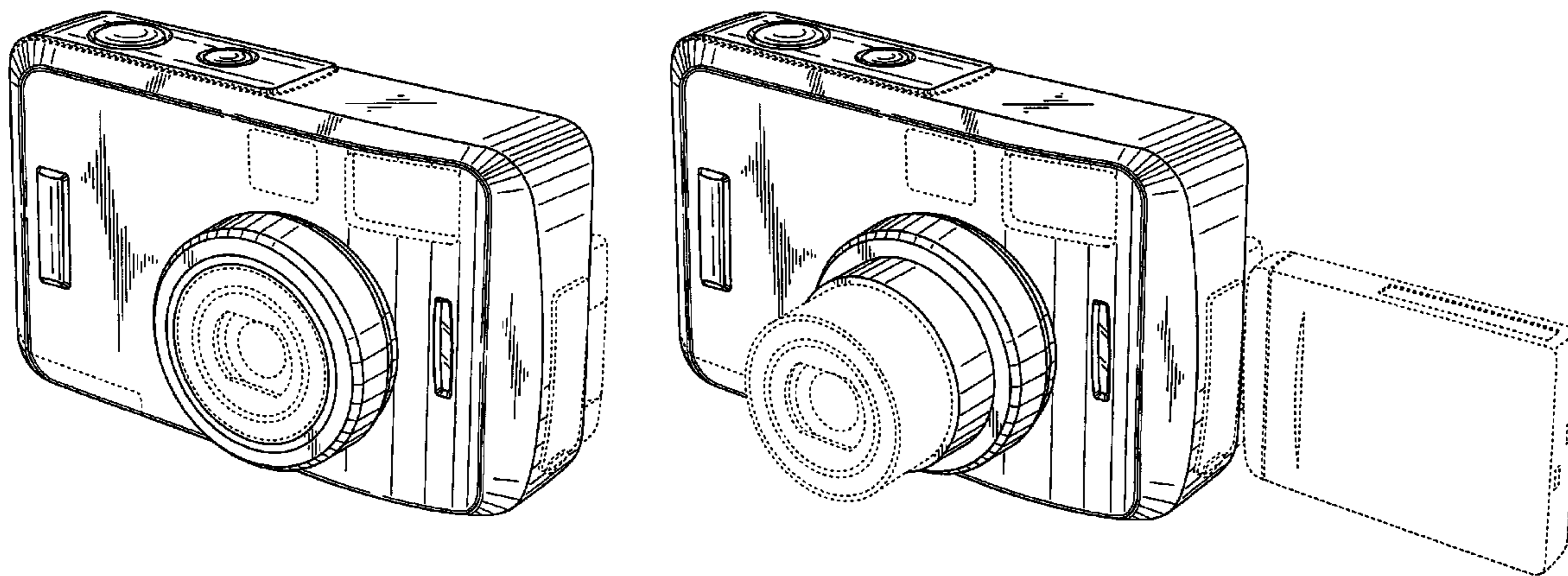


FIG. 1

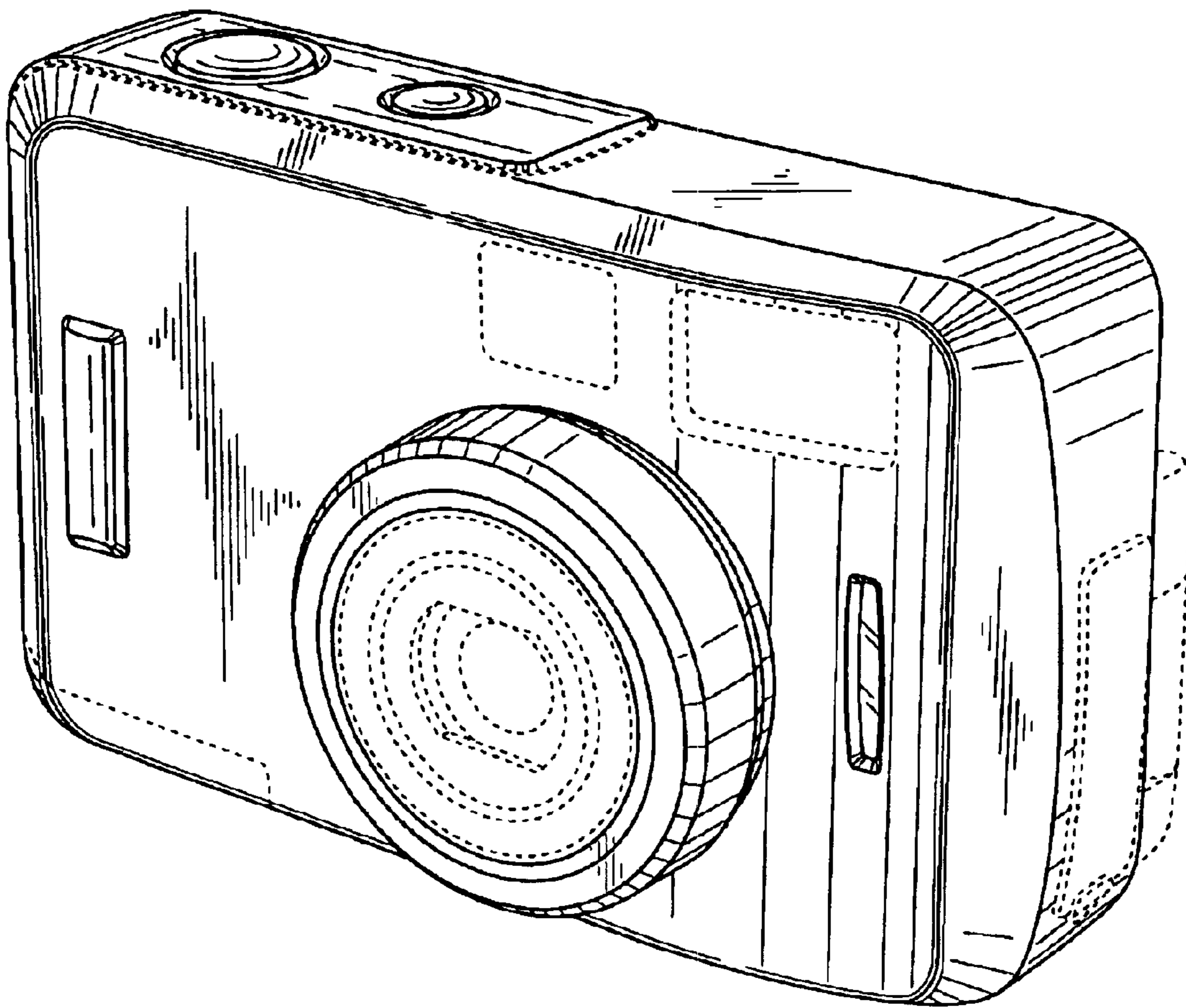


FIG. 2

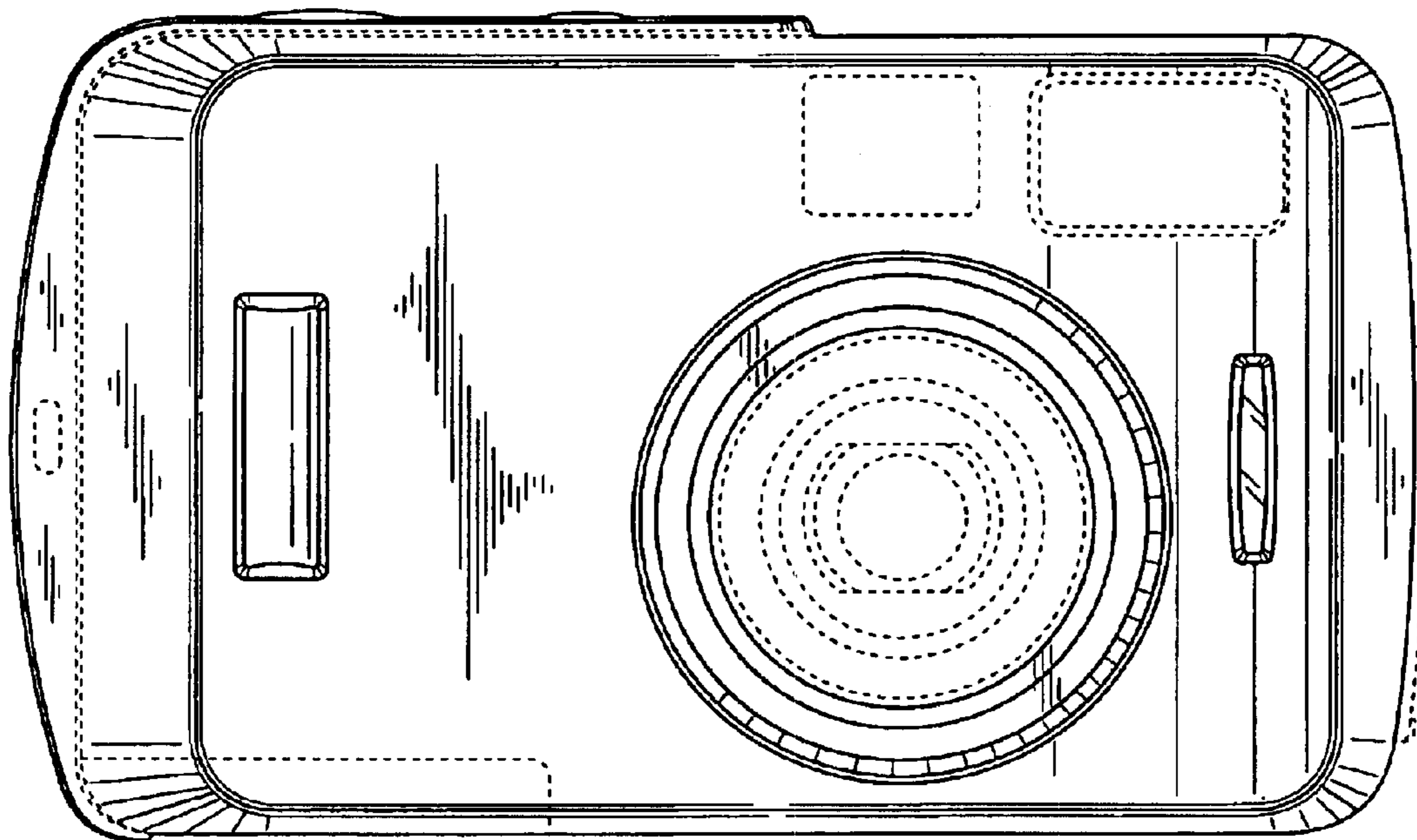


FIG. 3

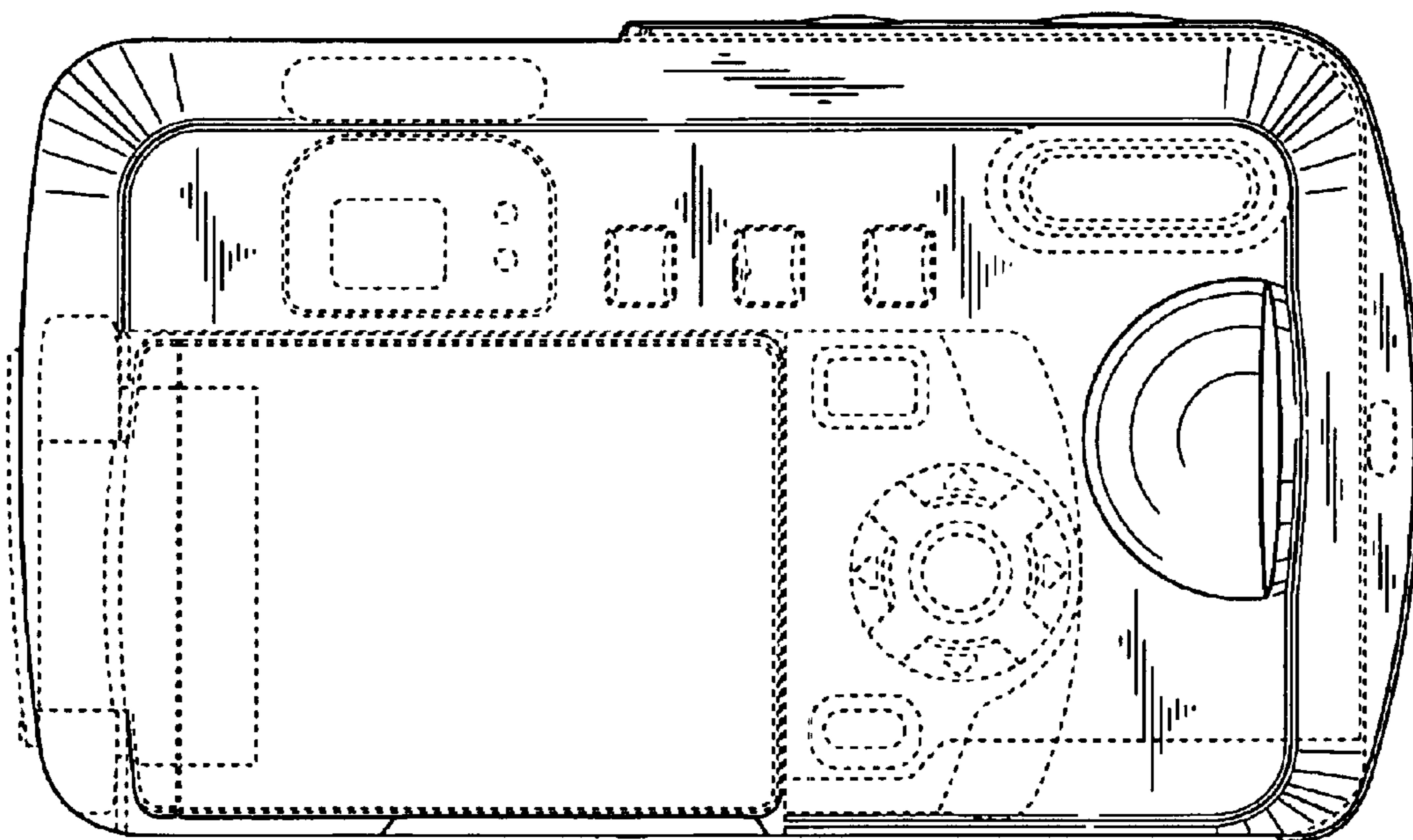


FIG. 4

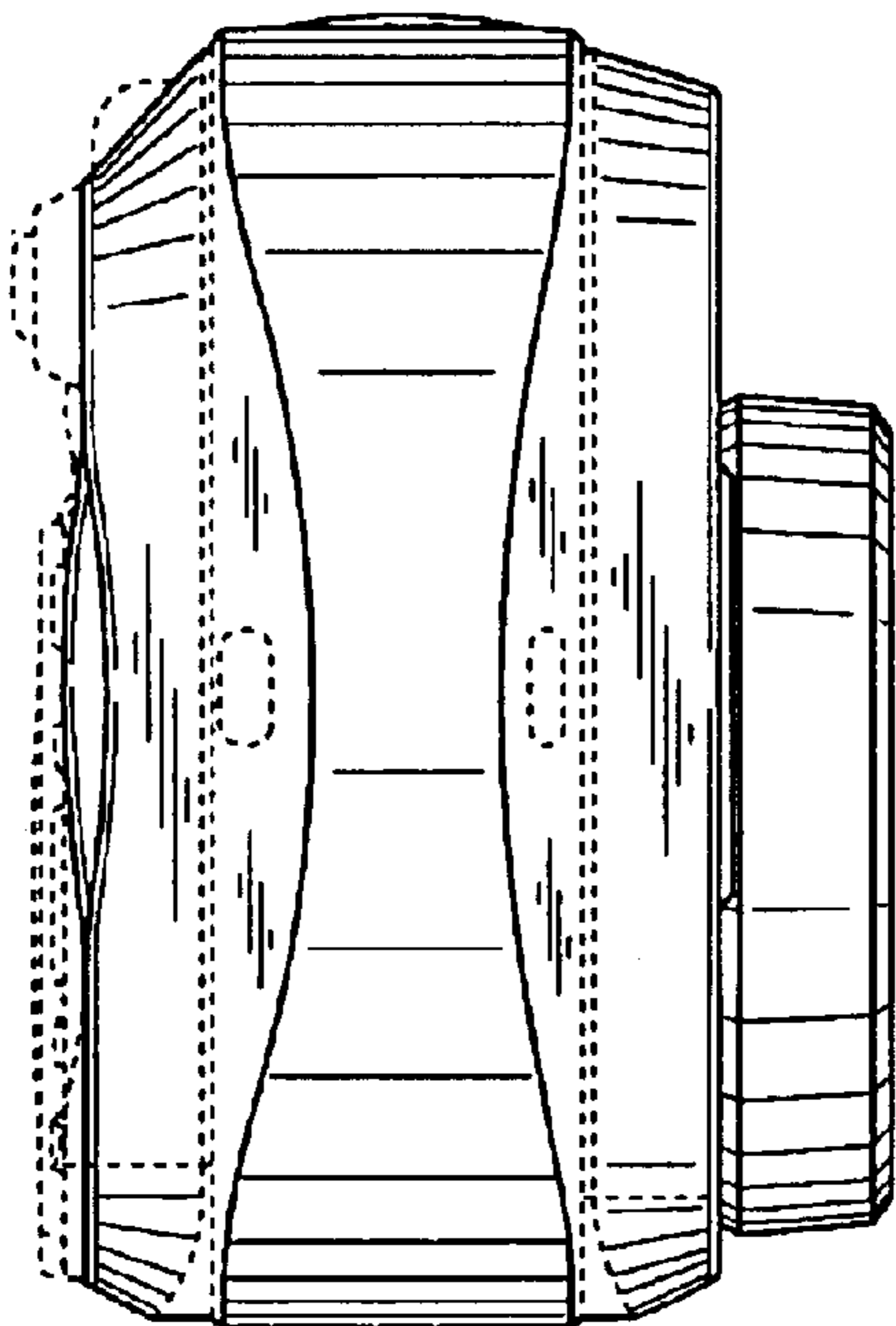


FIG. 5

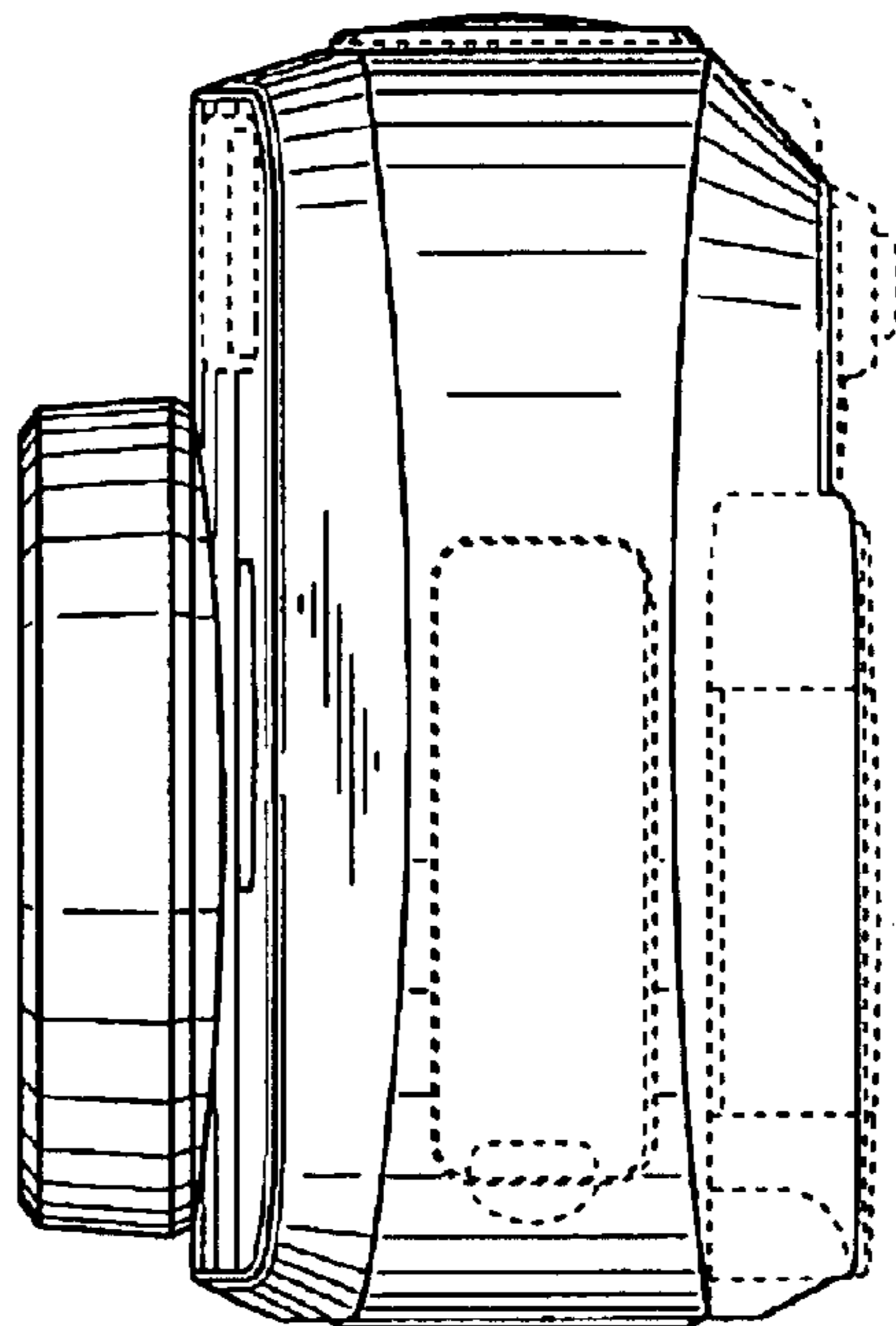


FIG. 6

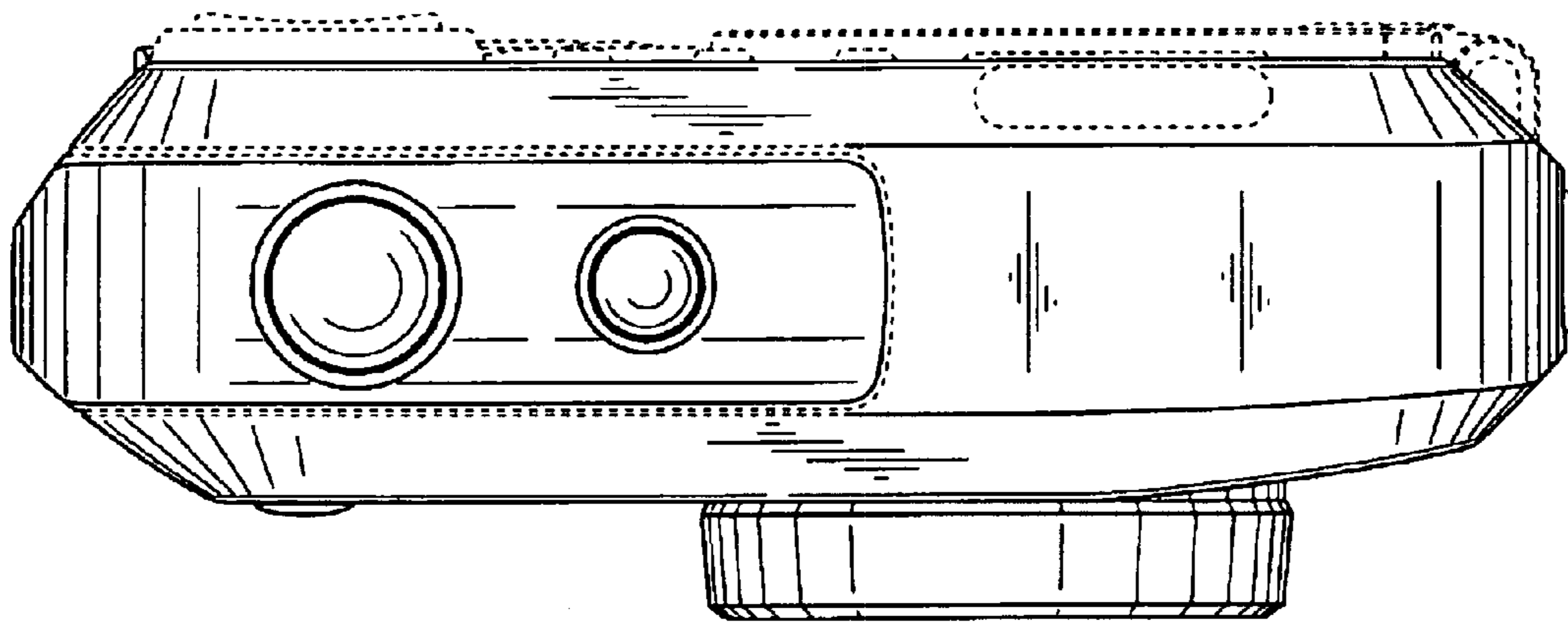


FIG. 7

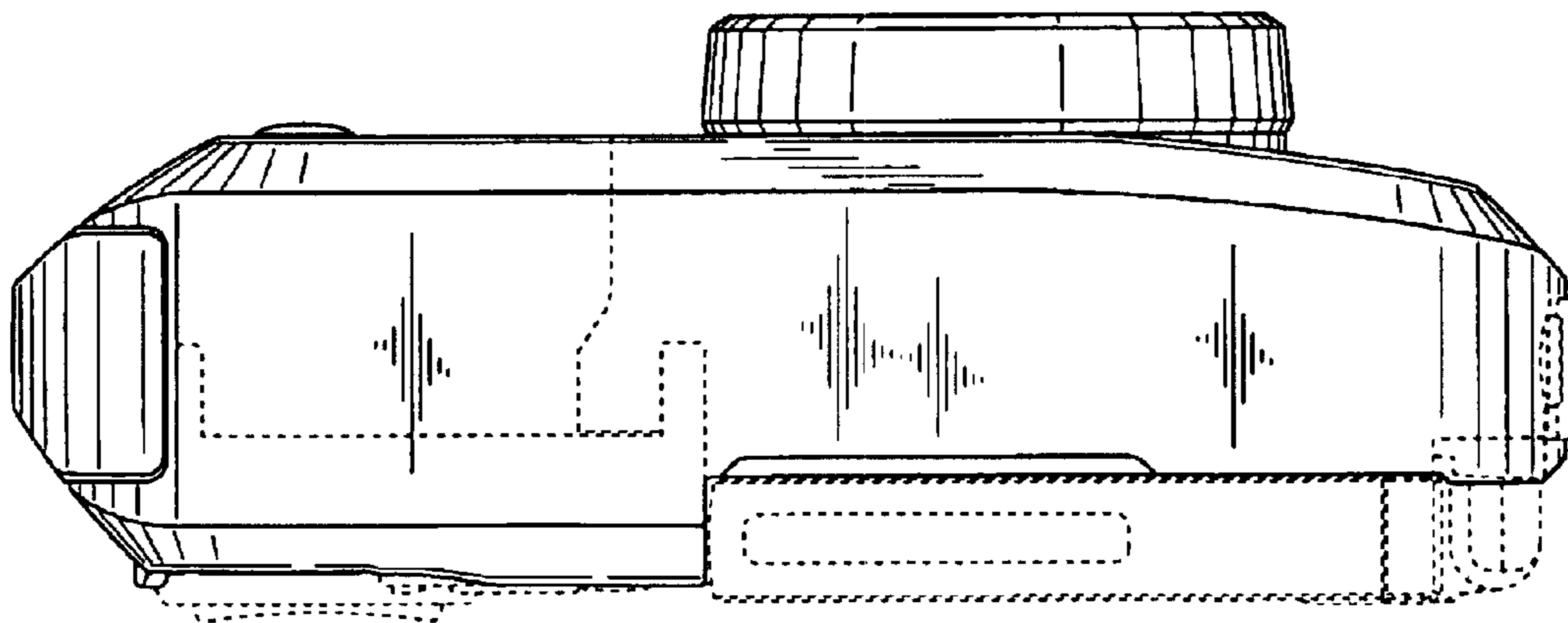


FIG. 8

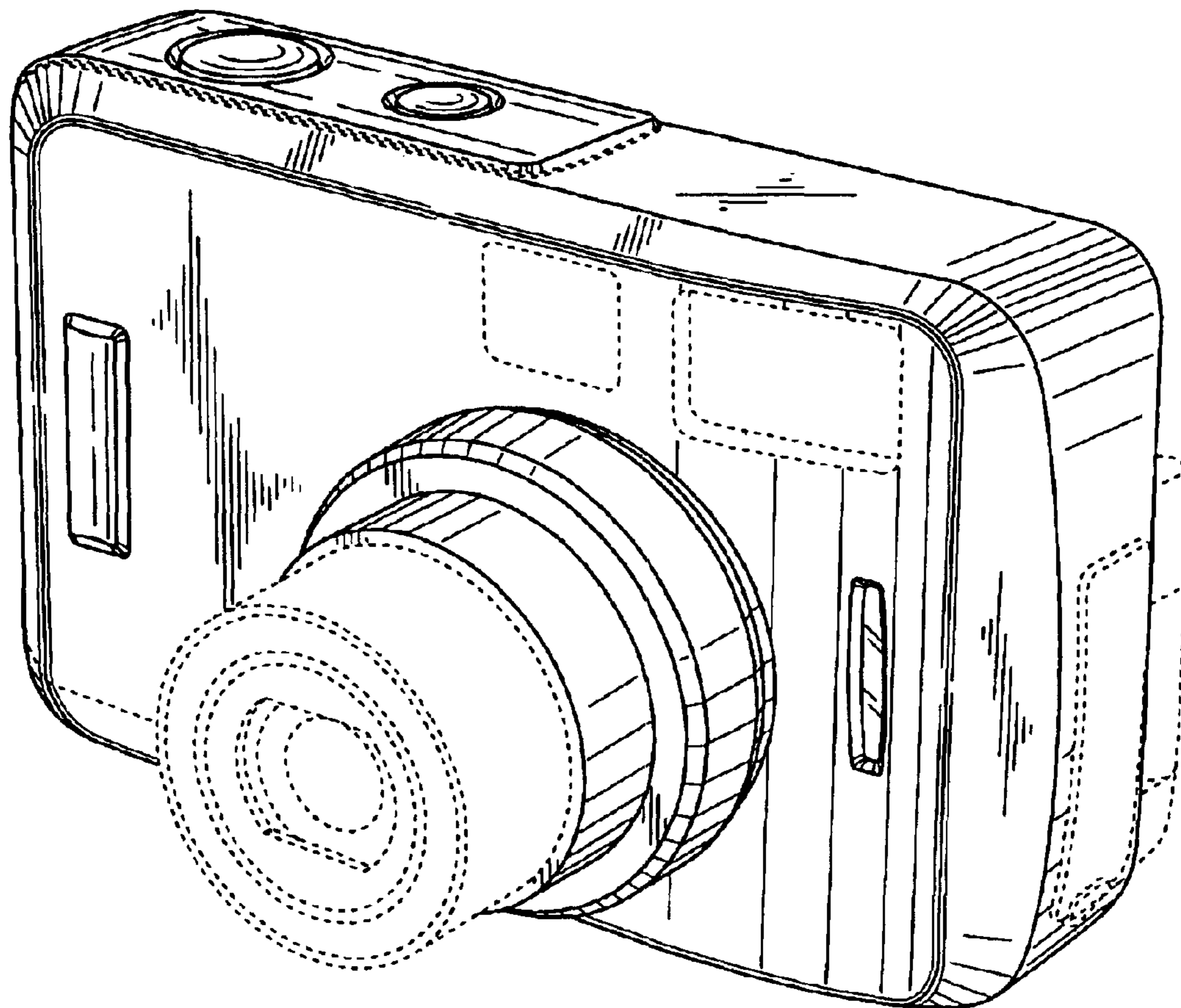


FIG. 9

