

US00D497375S1

(12) **United States Design Patent**  
**Connell**

(10) **Patent No.:** **US D497,375 S**  
(45) **Date of Patent:** **\*\* Oct. 19, 2004**

(54) **SWIVEL SCREEN AND ATTACHED  
EXTENSION HANDLE FOR REMOTE  
HANDLING AND DRAIN OIL NARROWING  
STREAM FOR COLLECTING USED ENGINE  
OIL**

4,347,878 A \* 9/1982 Schofield ..... 141/300  
D288,520 S \* 3/1987 Bozarth ..... D7/398  
6,289,945 B1 \* 9/2001 Haboush, II ..... 141/59

\* cited by examiner

(76) Inventor: **Scott T. Connell**, E. 6270, 866 Ave.  
Apt. 500, Colfax, WI (US) 54730

*Primary Examiner*—Antoine D. Davis

(74) *Attorney, Agent, or Firm*—Willie Krawitz

(\*\*) Term: **14 Years**

(57) **CLAIM**

(21) Appl. No.: **29/189,927**

The ornamental design for a swivel screen and attached extension handle for remote handling and drain oil narrowing stream for collecting used engine oil, as shown and described.

(22) Filed: **Sep. 12, 2003**

**DESCRIPTION**

(51) **LOC (7) Cl.** ..... **15-09**

(52) **U.S. Cl.** ..... **D15/150**

(58) **Field of Search** ..... D15/150-152;  
184/91; 141/330, 334

FIG. 1 is a top plan of a swivel screen and attached extension handle for remote handling and drain oil narrowing stream for collecting used engine oil, showing my design; FIG. 2 is a right side elevation view thereof; FIG. 3 is a bottom plan view thereof; FIG. 4 is a front elevation view thereof; and, FIG. 5 is a rear elevation view thereof.

(56) **References Cited**

**U.S. PATENT DOCUMENTS**

RE6,784 E \* 12/1875 Brick ..... 141/300  
2,335,442 A \* 11/1943 Pease, Jr. .... 184/91  
D218,773 S \* 9/1970 Sitts ..... D7/700

**1 Claim, 1 Drawing Sheet**

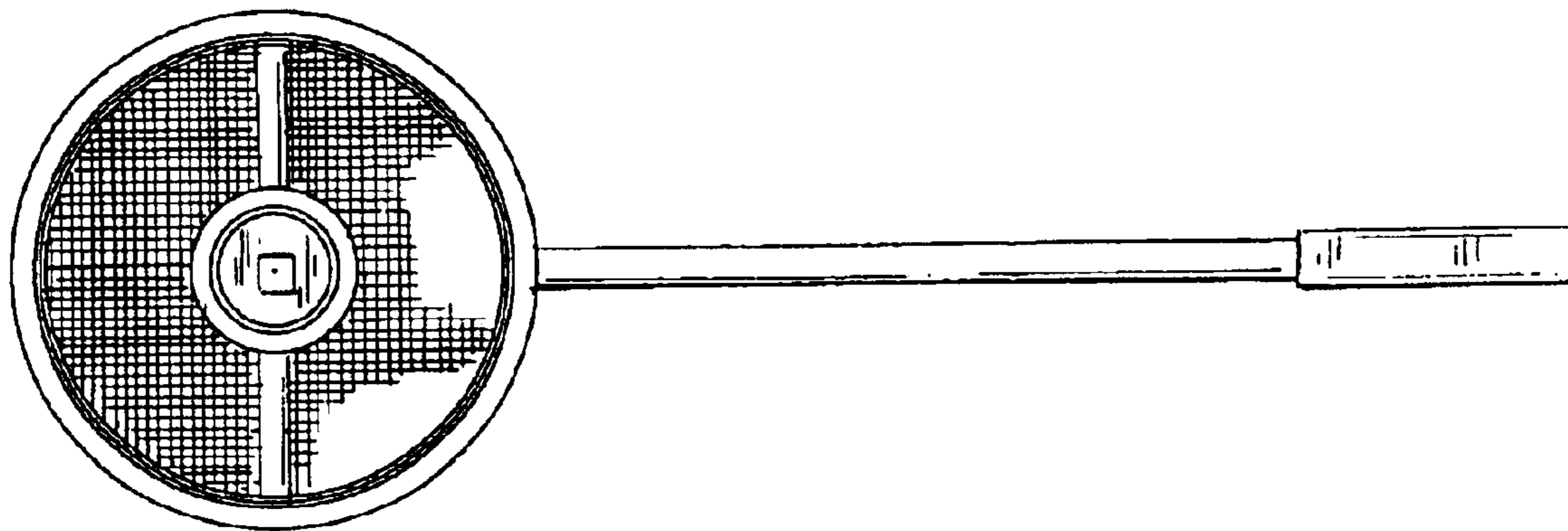


FIG. 1

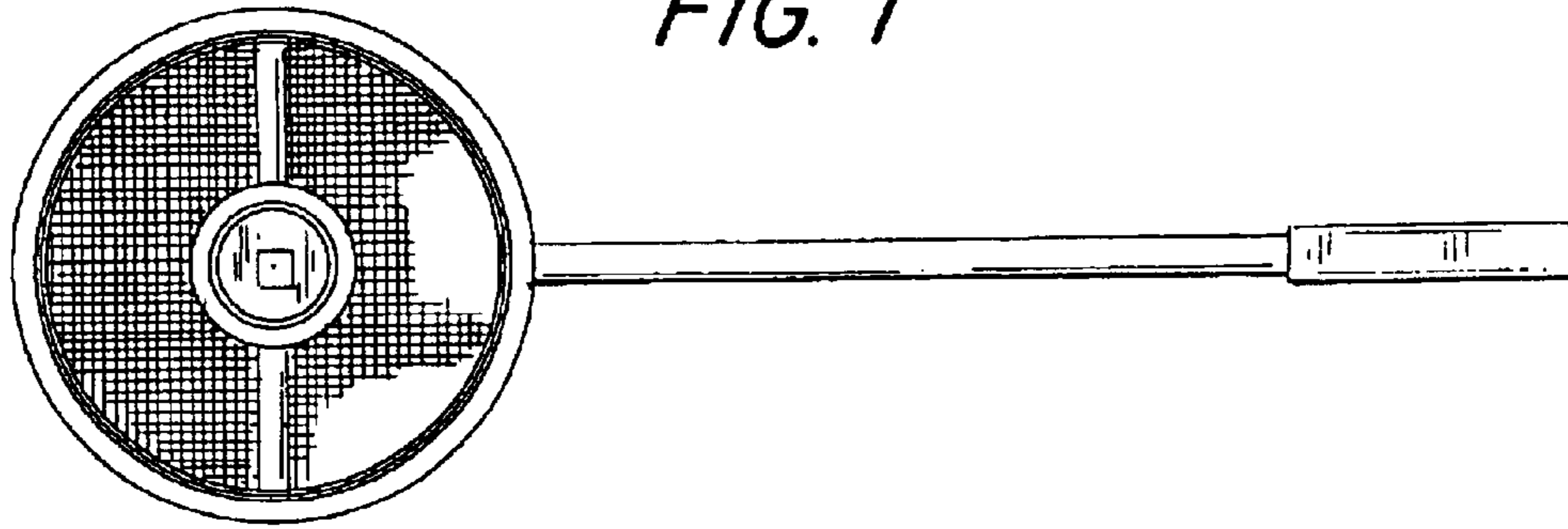


FIG. 2

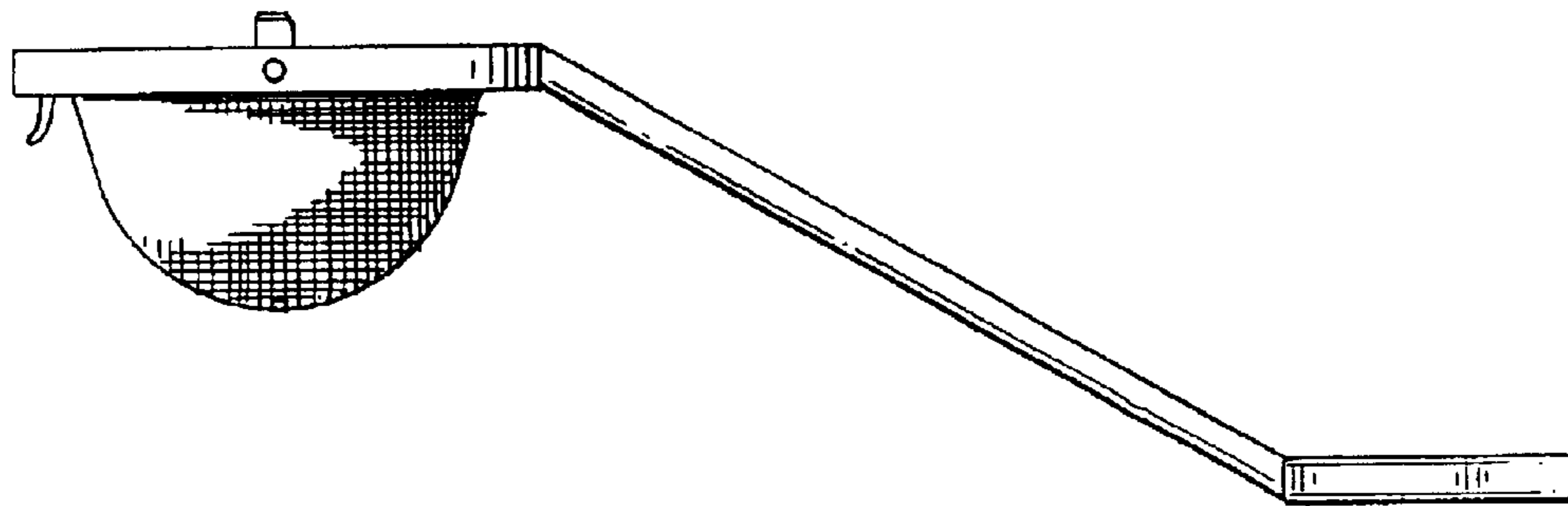


FIG. 3

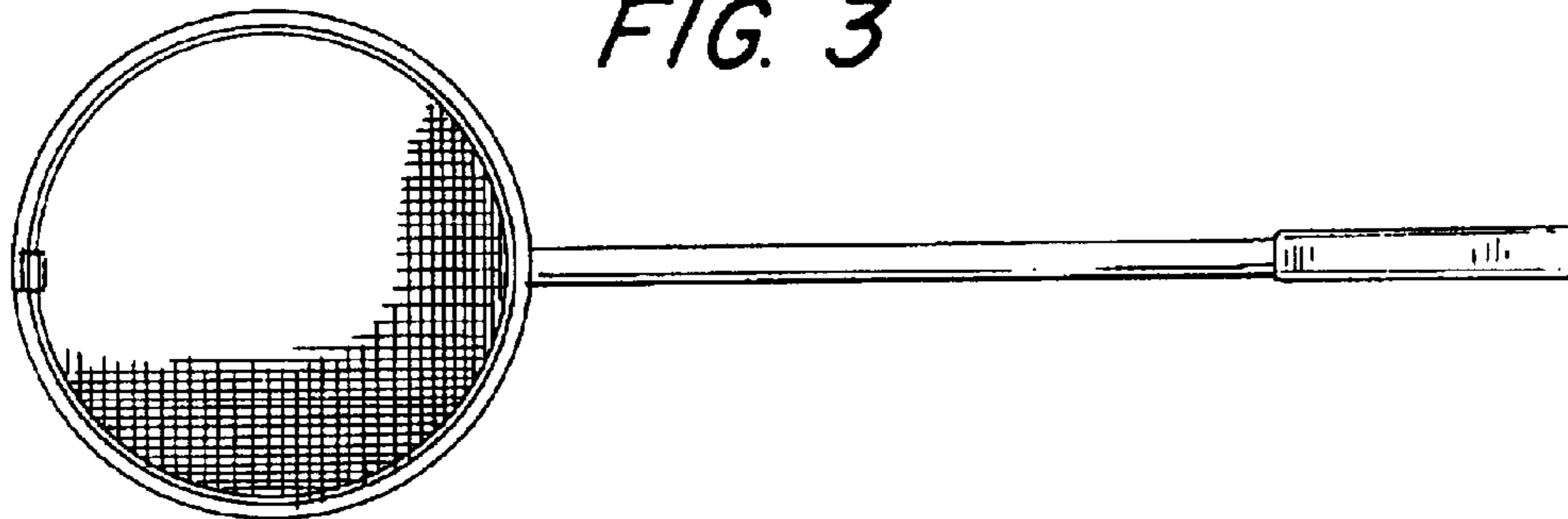


FIG. 4

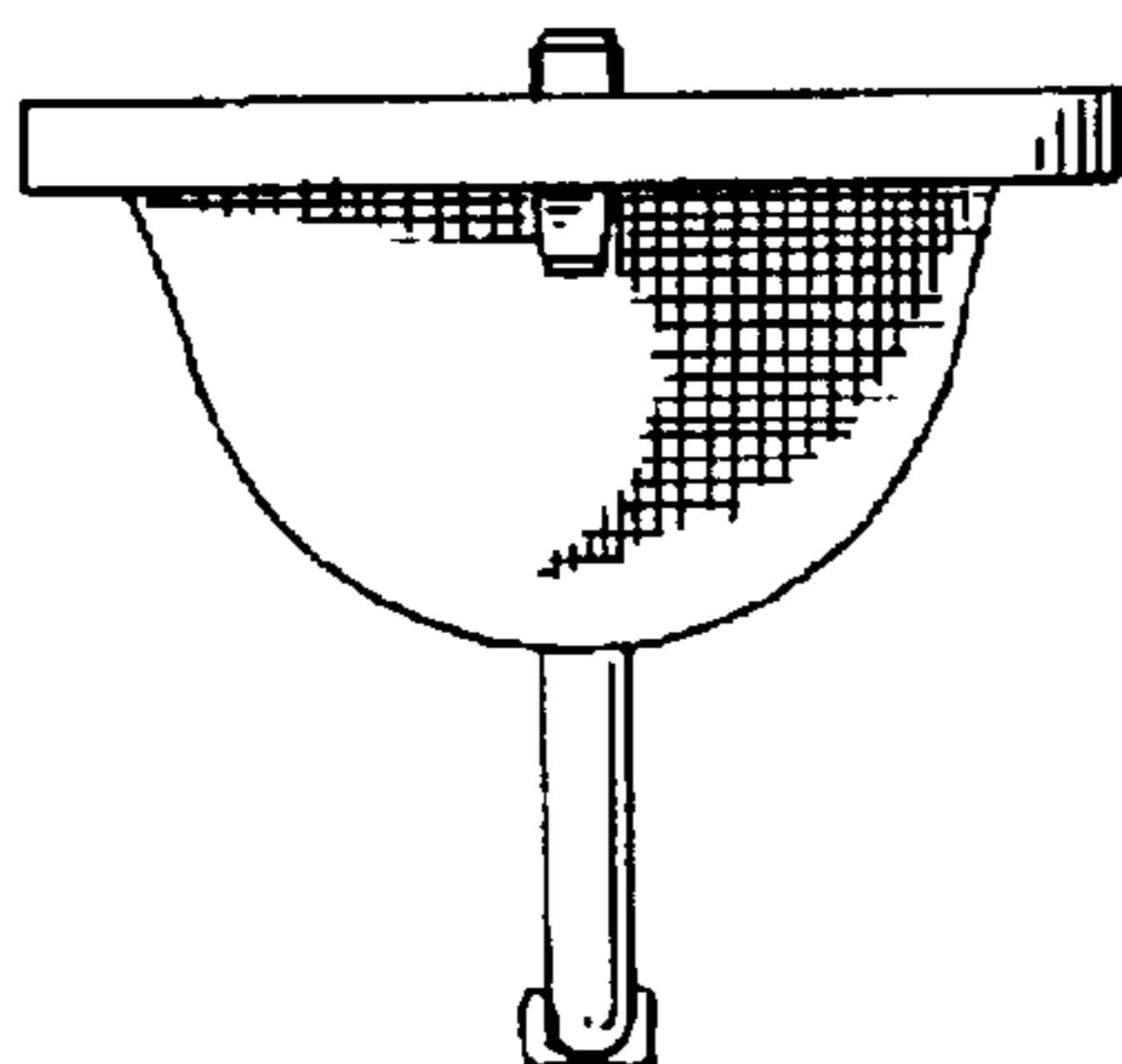


FIG. 5

