

US00D497373S1

(12) **United States Design Patent** (10) Patent No.: **US D497,373 S**
Hewett et al. (45) Date of Patent: **** Oct. 19, 2004**

(54) **GOUGING CAP FOR A PLASMA ARC TORCH**

(75) Inventors: **Roger W. Hewett**, Plainfield, NH (US);
Jonathan Brasseur, Cornish, NH (US)

(73) Assignee: **Thermal Dynamics Corporation**, West Lebanon, NH (US)

(**) Term: **14 Years**

(21) Appl. No.: **29/176,770**

(22) Filed: **Feb. 27, 2003**

Related U.S. Application Data

(63) Continuation of application No. 29/175,103, filed on Jan. 30, 2003, now abandoned.

(51) **LOC (7) Cl.** **15-09**

(52) **U.S. Cl.** **D15/144**

(58) **Field of Search** D15/144; 219/121.36,
219/121.39, 121.45, 121.48, 121.5

(56) **References Cited**

U.S. PATENT DOCUMENTS

D359,058 S * 6/1995 Carkhuff D15/144

* cited by examiner

Primary Examiner—Antoine D. Davis

(74) *Attorney, Agent, or Firm*—Harness, Dickey & Pierce, P.L.C.

(57) **CLAIM**

The ornamental design for a gouging cap for a plasma arc torch, as shown and described.

DESCRIPTION

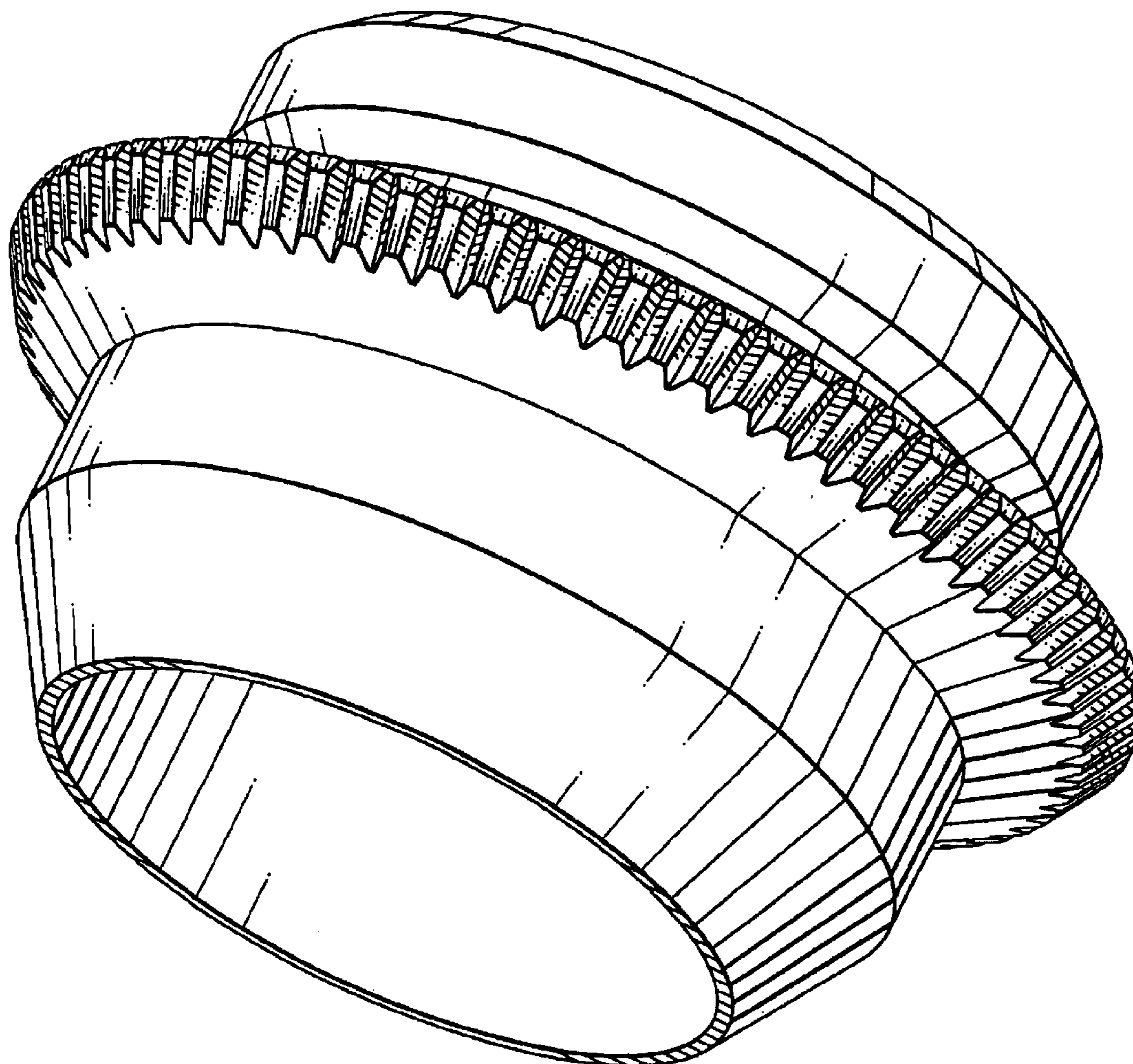
FIG. 1 is a perspective view of the gouging cap for a plasma arc torch;

FIG. 2 is a side elevation view thereof;

FIG. 3 is a top plan view thereof; and,

FIG. 4 is a bottom elevation view thereof.

1 Claim, 4 Drawing Sheets



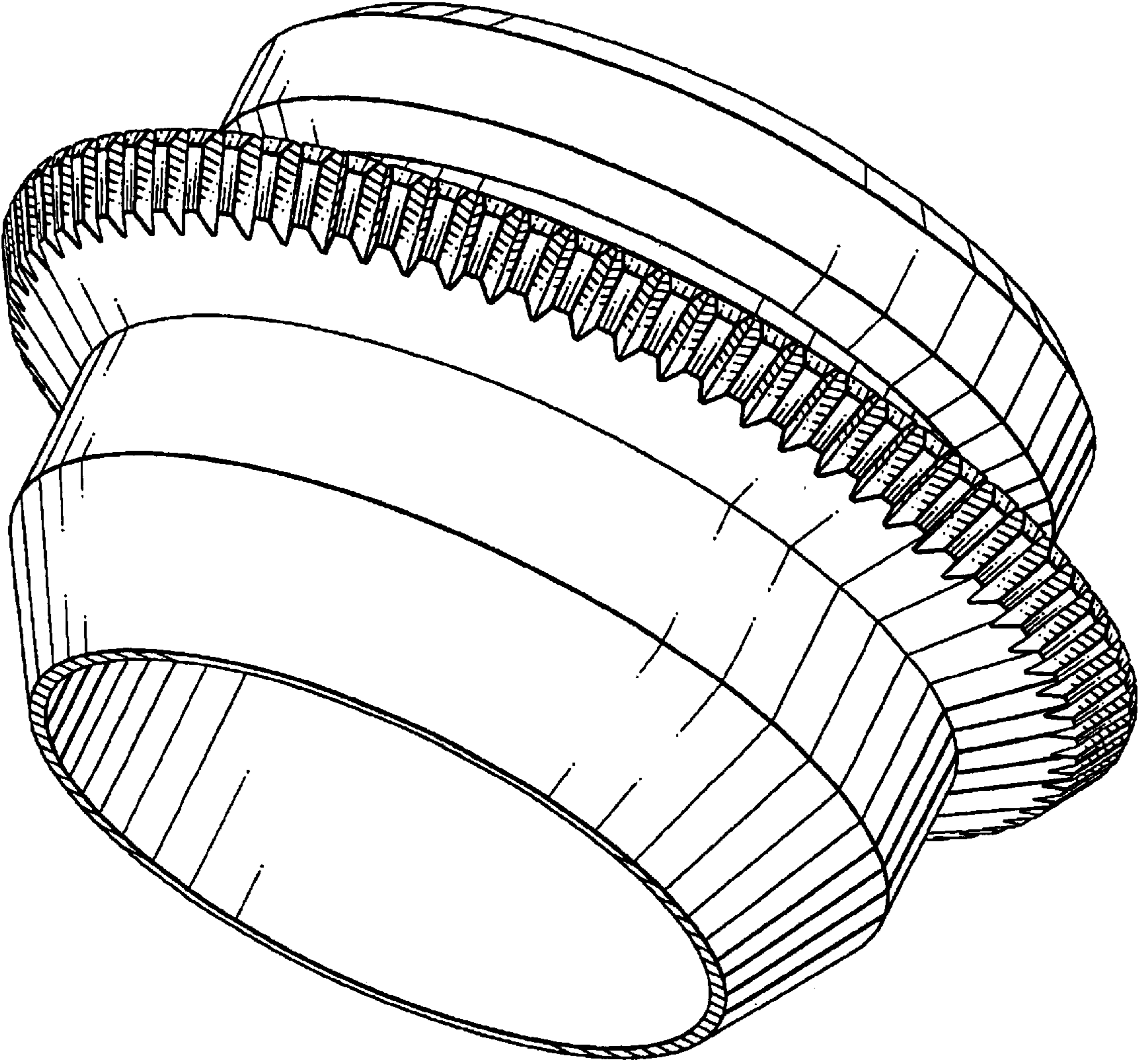


FIG. 1

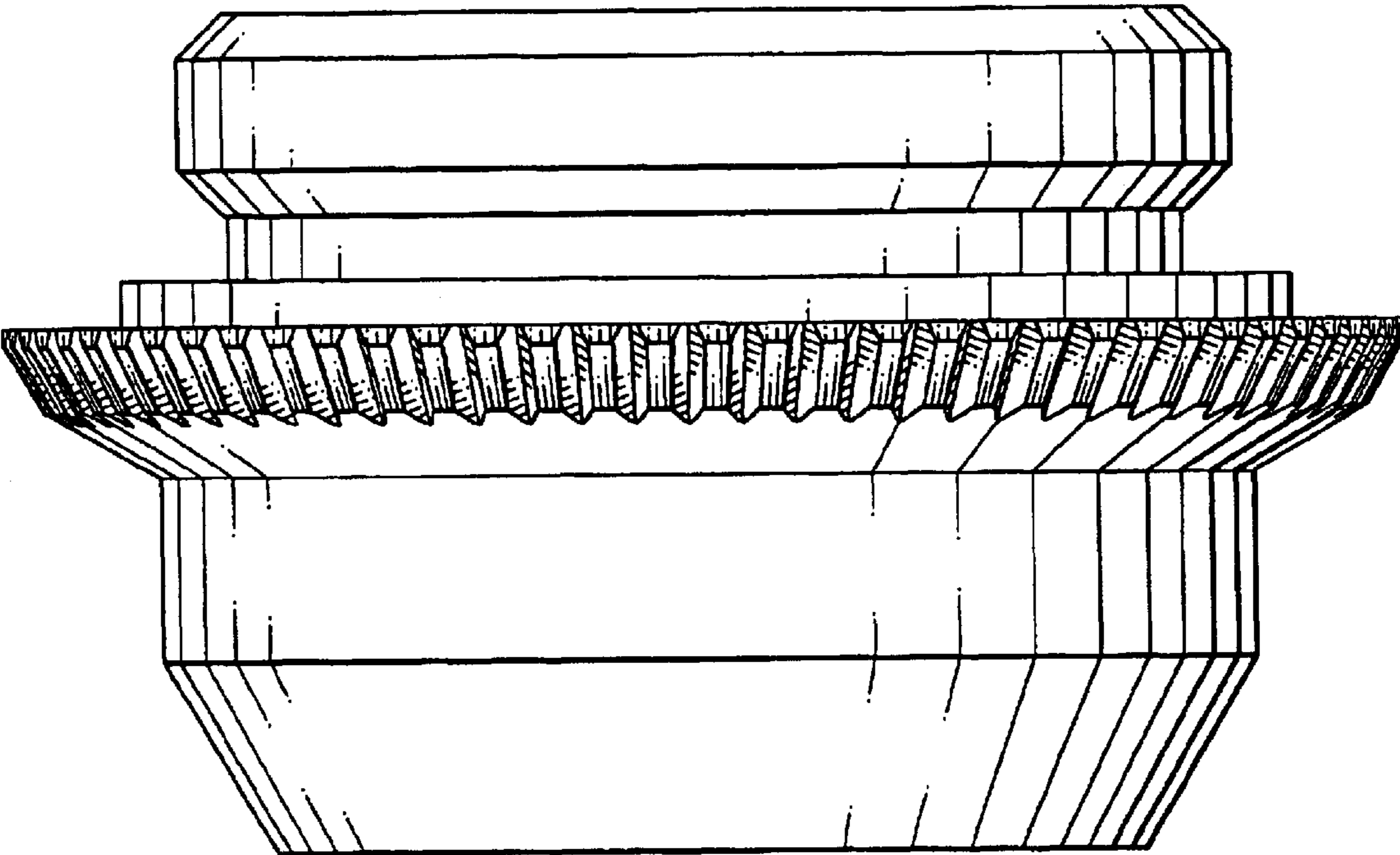


FIG. 2

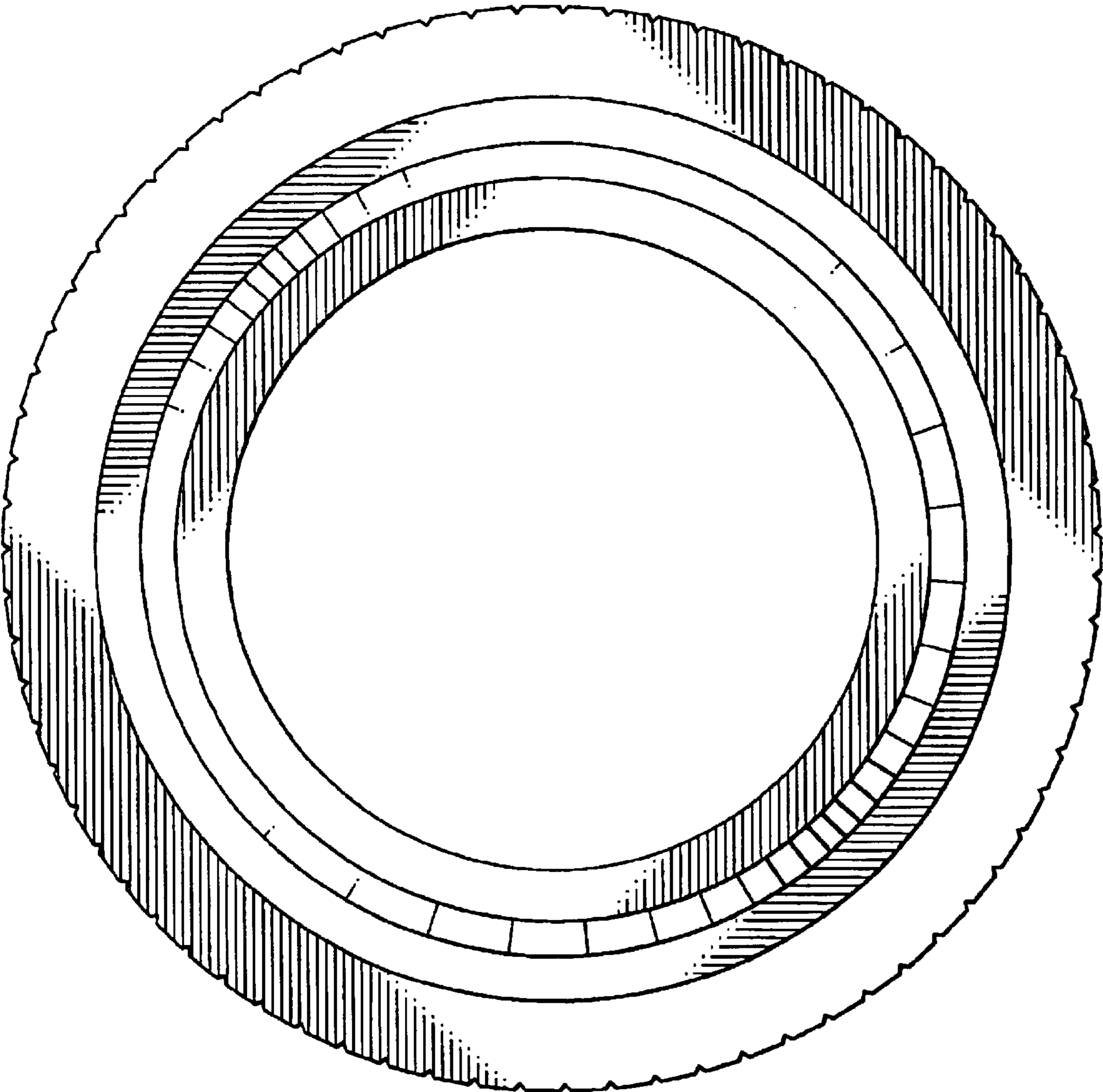


FIG. 3

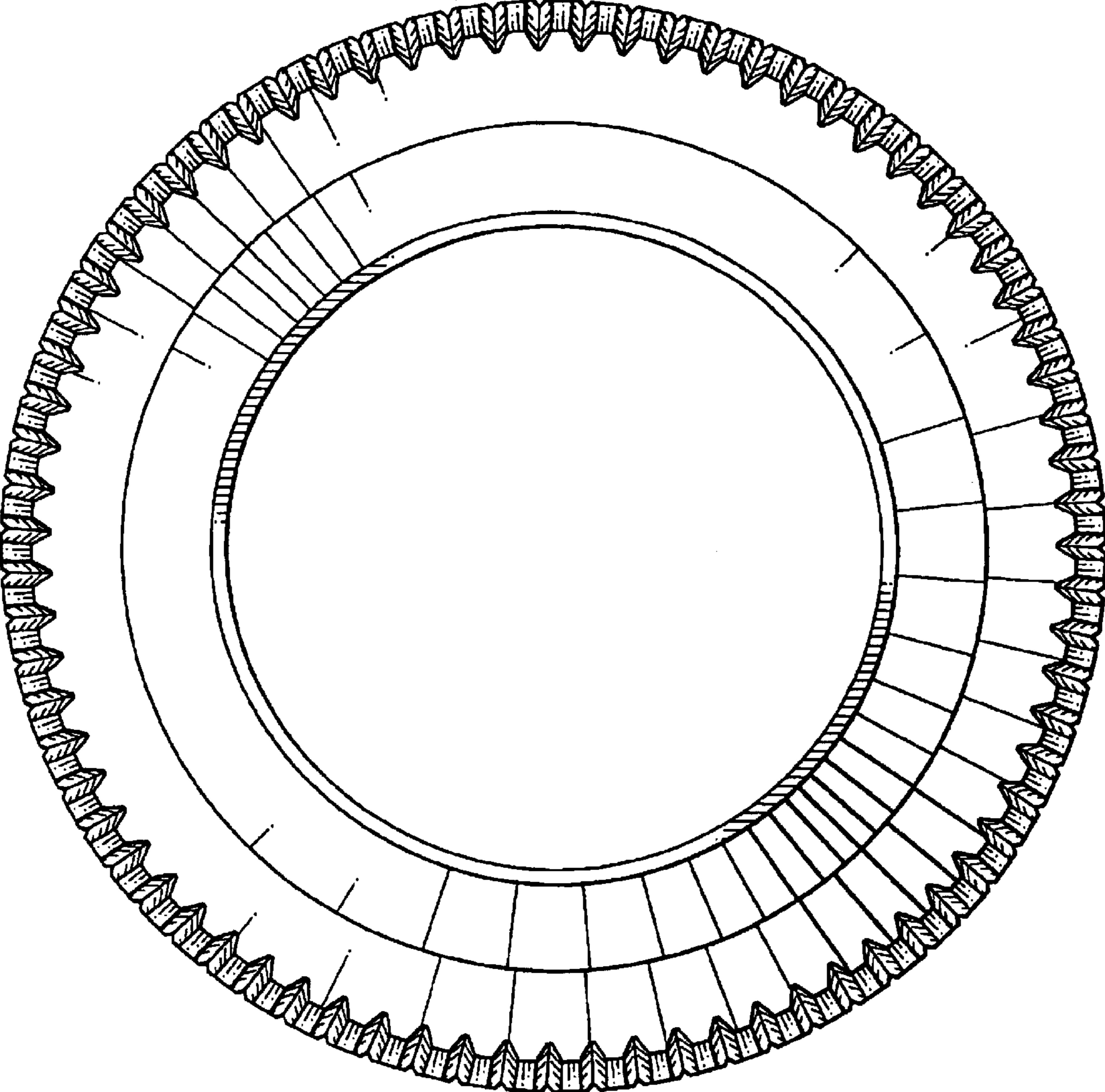


FIG. 4