

US00D497372S1

(12) **United States Design Patent**
Kato

(10) **Patent No.:** **US D497,372 S**

(45) **Date of Patent:** **** Oct. 19, 2004**

(54) **BEARING DEVICE FOR A BALL NUT**

D444,802 S * 7/2001 Dyson et al. D15/143
D447,157 S * 8/2001 Sasaki et al. D15/143

(75) Inventor: **Masakatsu Kato**, Hachioji (JP)

* cited by examiner

(73) Assignee: **Nifco Inc.**, Yokohama (JP)

Primary Examiner—Brian N Vinson

(**) Term: **14 Years**

(74) *Attorney, Agent, or Firm*—Kanesaka & Takeuchi

(21) Appl. No.: **29/177,958**

(57) **CLAIM**

(22) Filed: **Mar. 20, 2003**

The ornamental design for a bearing device for a ball nut, as shown and described.

(30) **Foreign Application Priority Data**

DESCRIPTION

Sep. 26, 2002 (JP) 2002-026277

FIG. 1 is a perspective view of a bearing device for a ball nut showing my new design;

(51) **LOC (7) Cl.** **15-09**

FIG. 2 is a front view thereof;

(52) **U.S. Cl.** **D15/143**

FIG. 3 is a left side view thereof;

(58) **Field of Search** D15/143; D8/382;
384/207-208, 192

FIG. 4 is a plan view thereof;

FIG. 5 is a bottom view thereof;

(56) **References Cited**

FIG. 6 is a sectional view thereof taken along line 6—6 in FIG. 2; and,

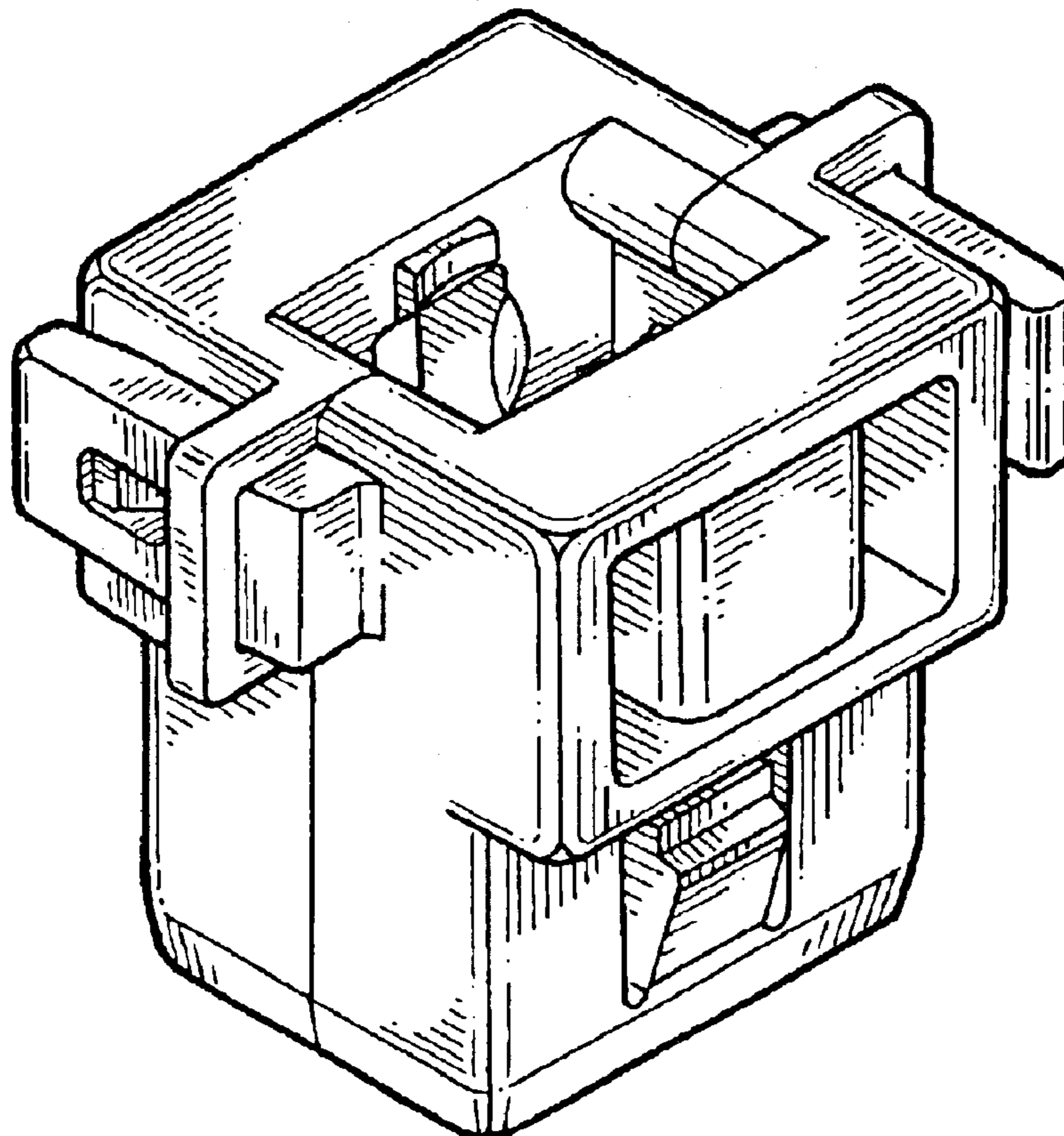
U.S. PATENT DOCUMENTS

FIG. 7 is a sectional view thereof taken along line 7—7 in FIG. 3.

D418,847 S * 1/2000 Ichihara D15/143

D440,581 S * 4/2001 Sherman et al. D15/143

1 Claim, 4 Drawing Sheets



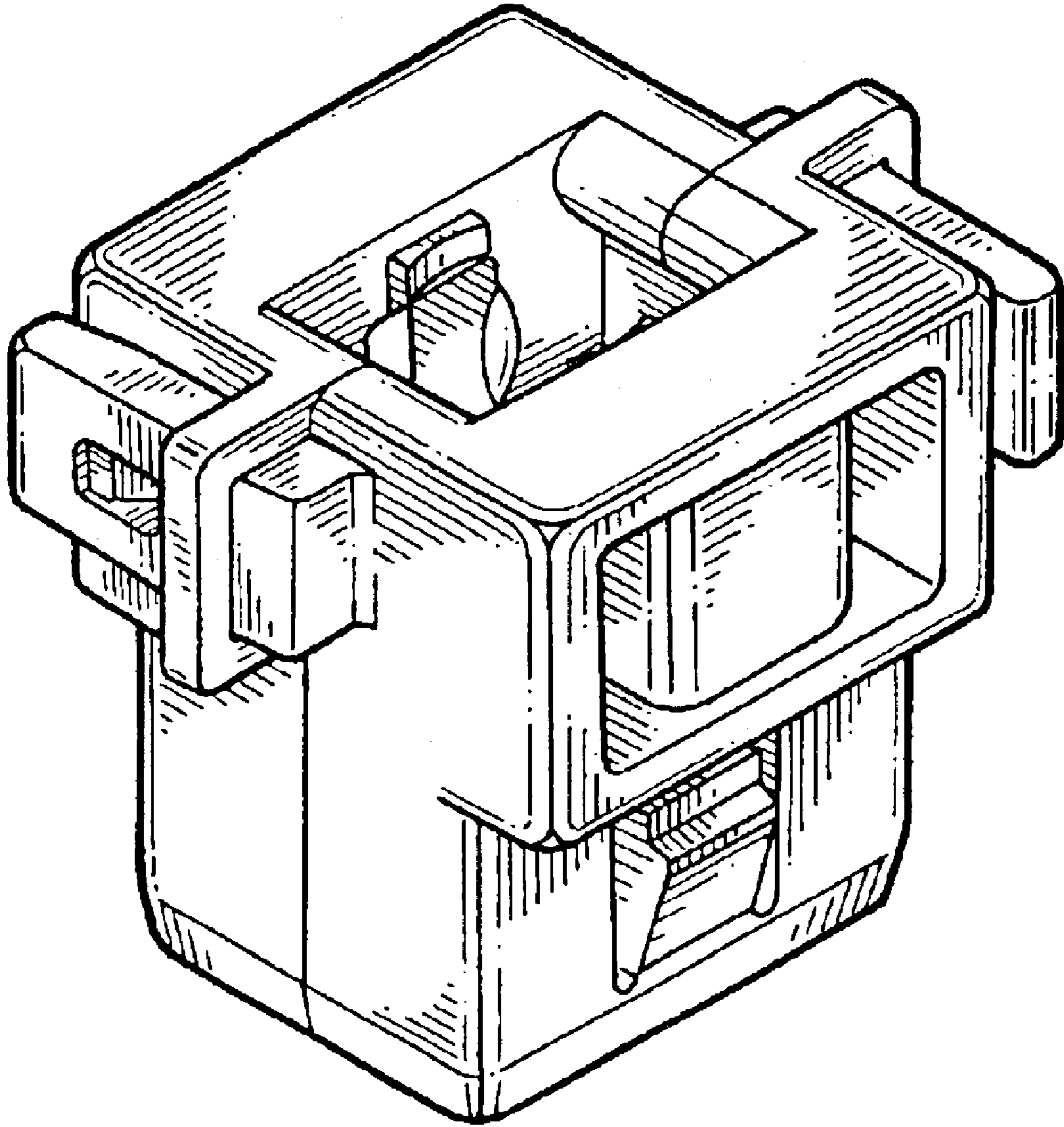


FIG. 1

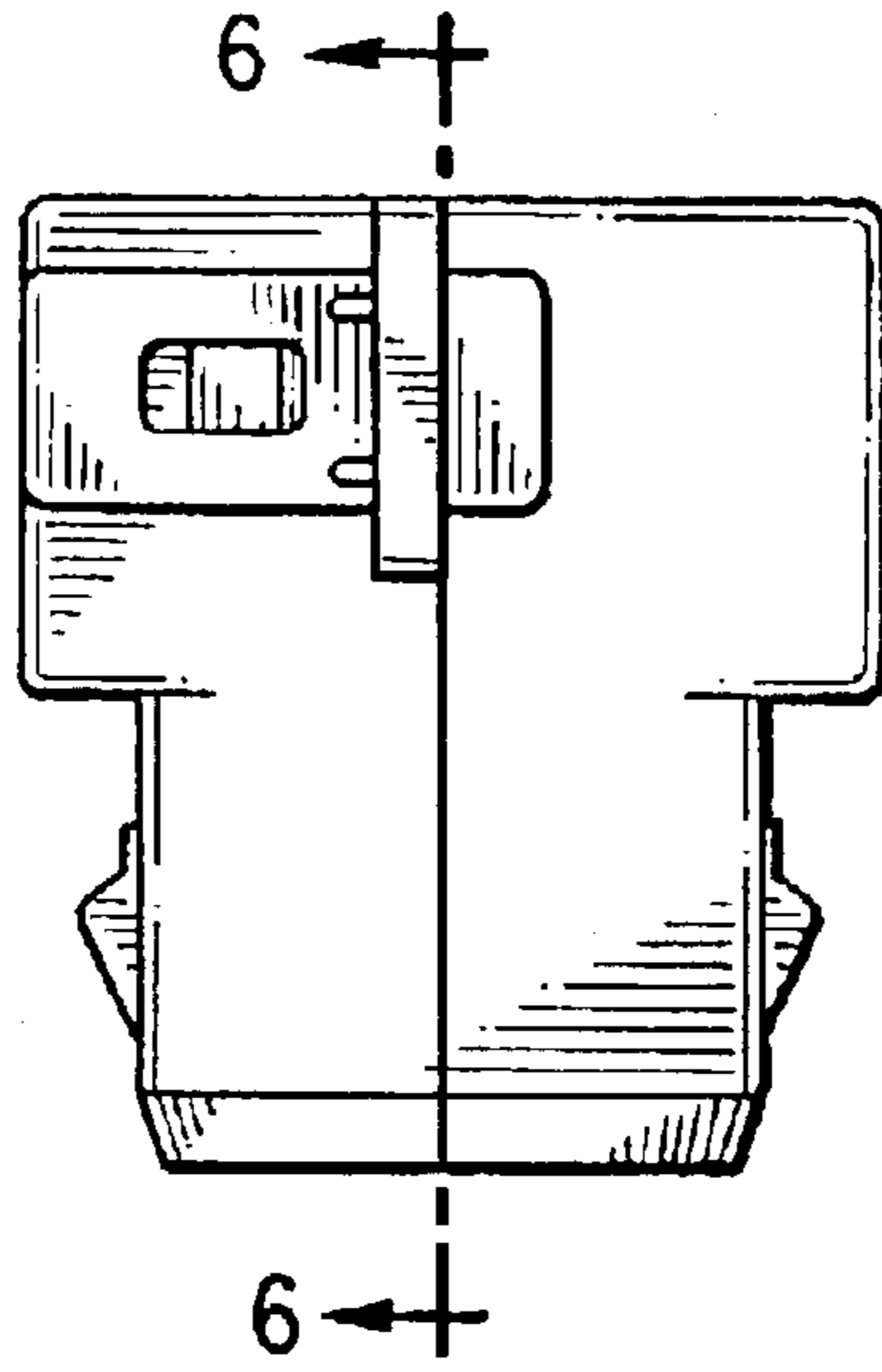


FIG. 2

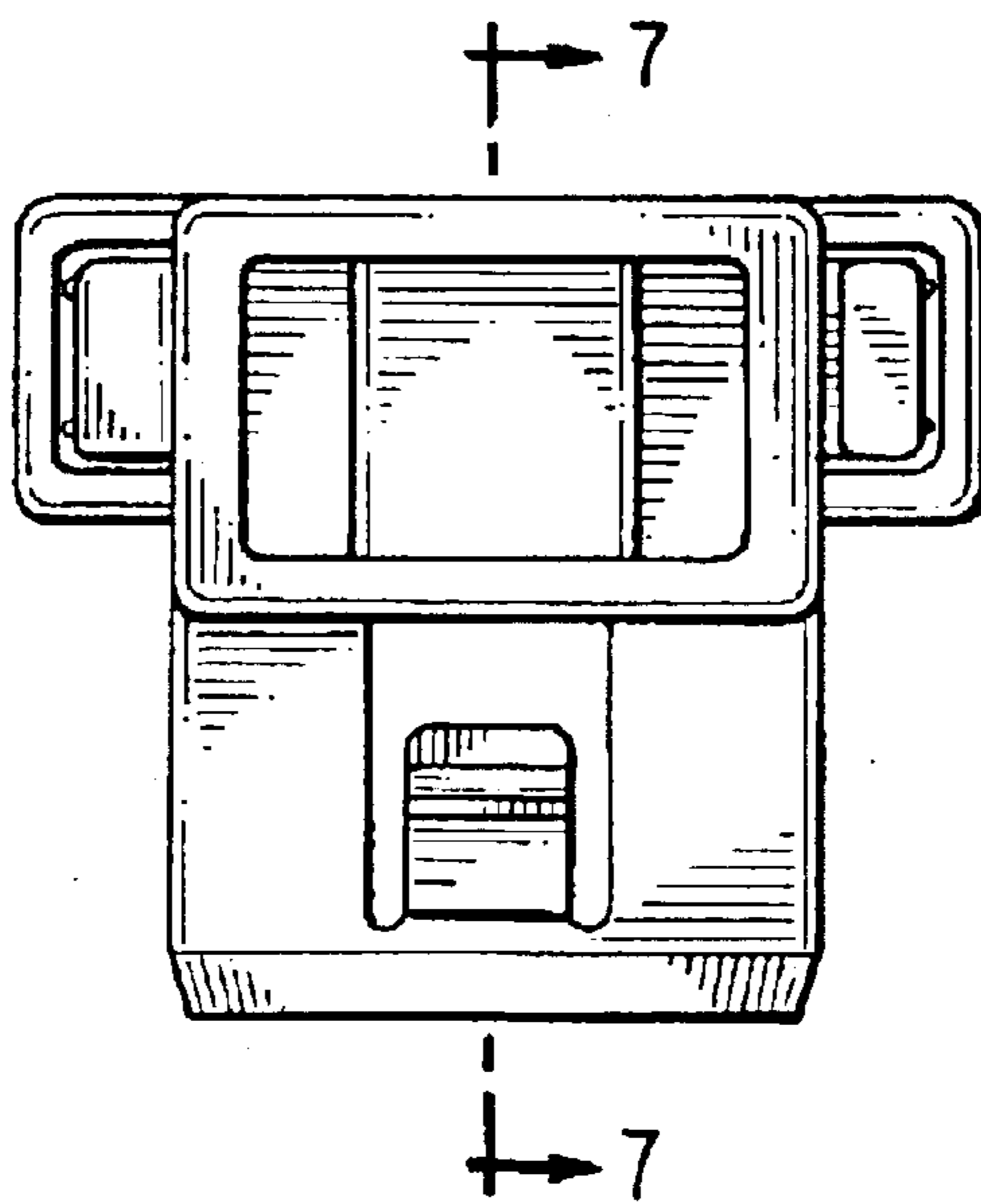


FIG. 3

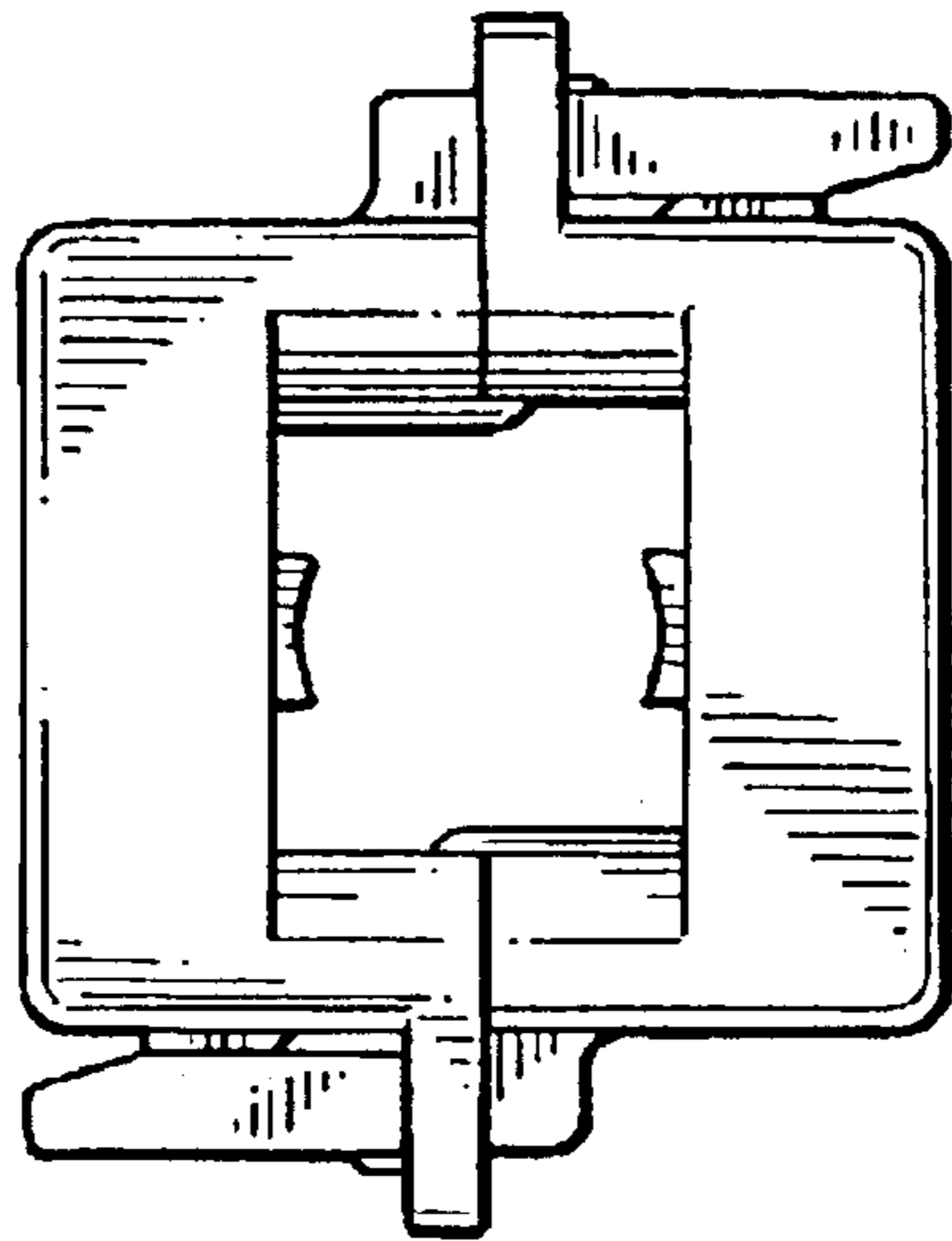


FIG. 4

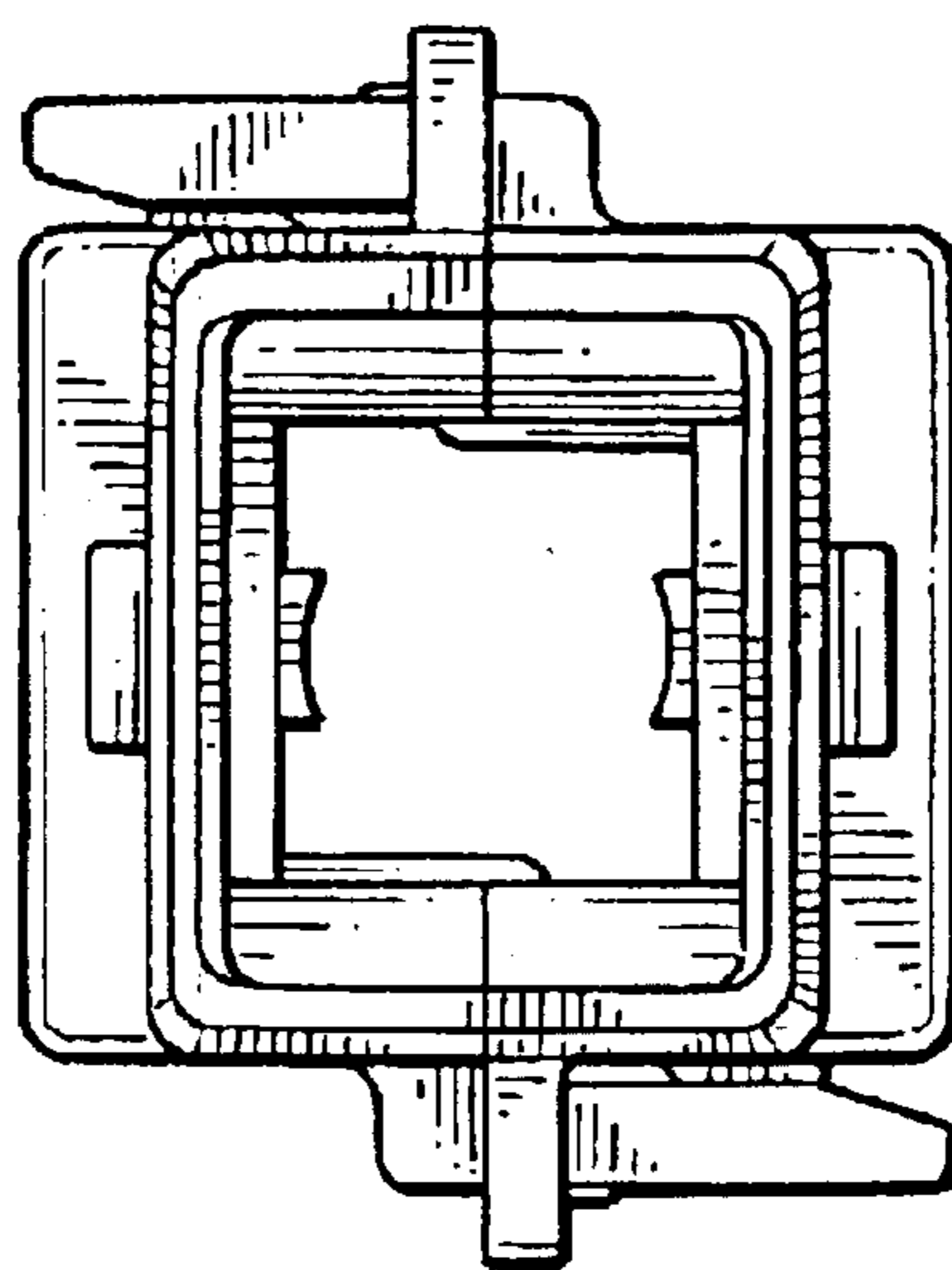


FIG. 5

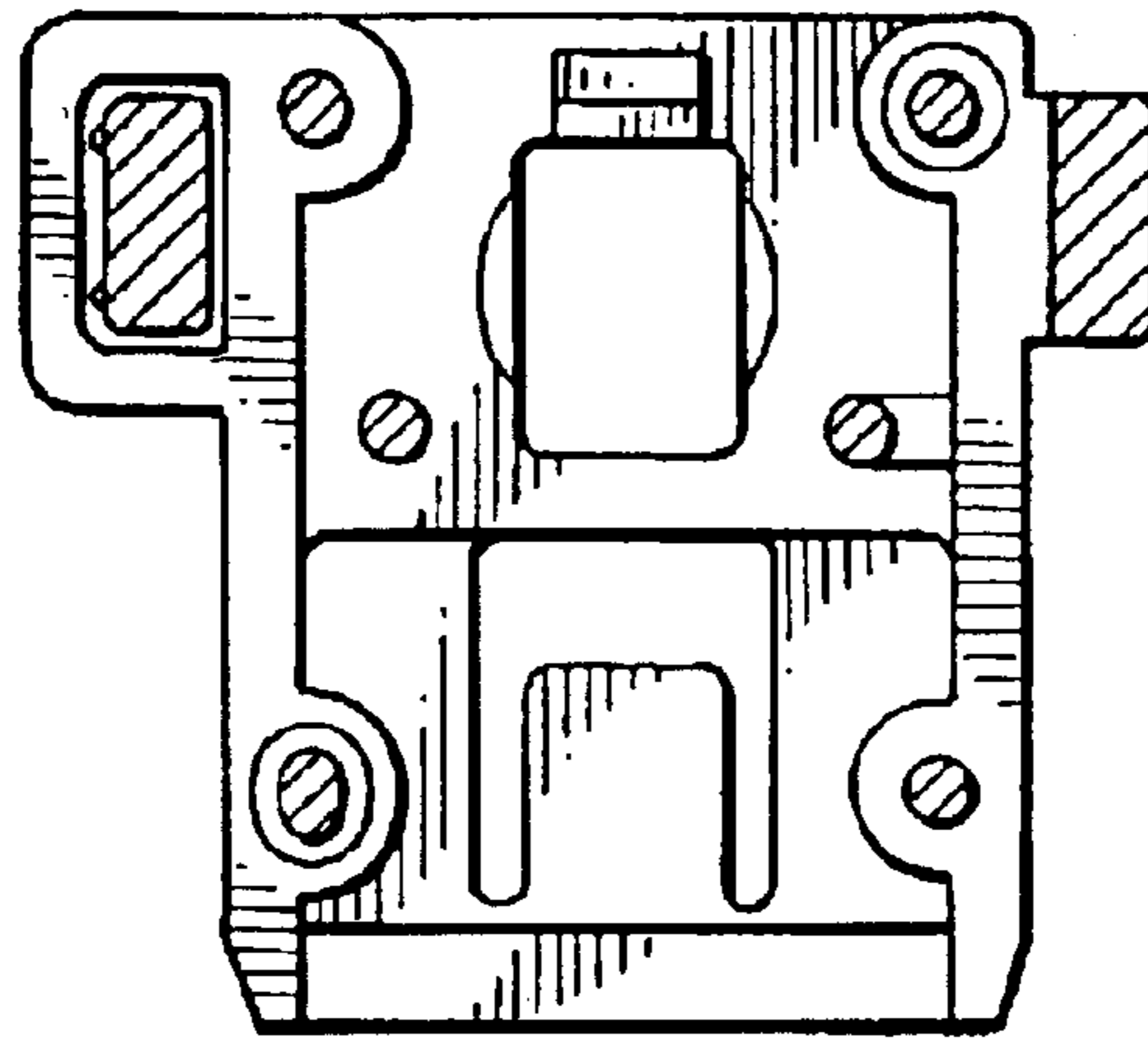


FIG. 6

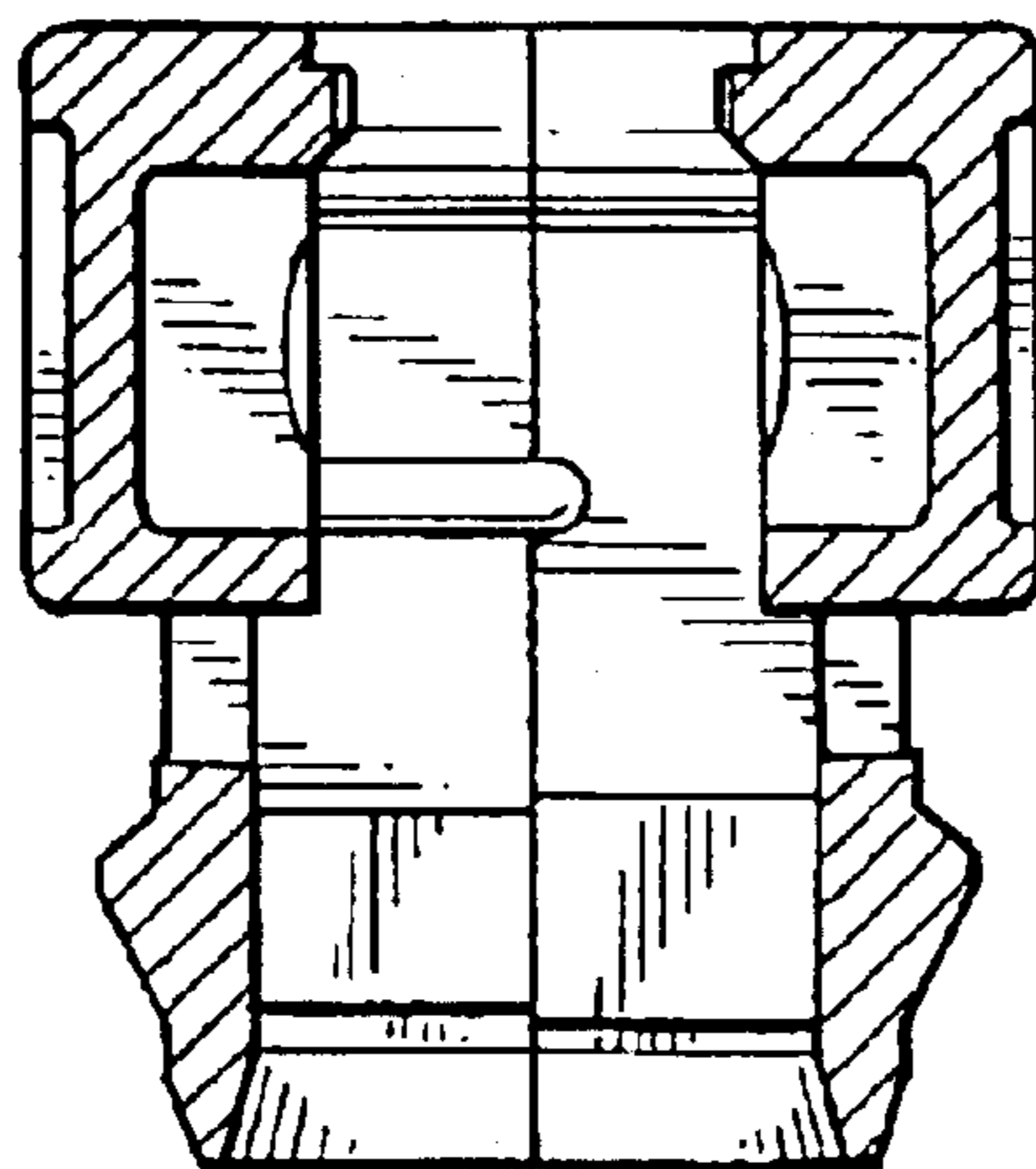


FIG. 7