

US00D497370S1

(12) **United States Design Patent**  
**Katoh**

(10) **Patent No.:** **US D497,370 S**  
(45) **Date of Patent:** **\*\* Oct. 19, 2004**

(54) **HOOD PORTION OF AN AGRICULTURAL TRACTOR**

(75) Inventor: **Hisato Katoh, Sakai (JP)**

(73) Assignee: **Kubota Corporation, Osaka (JP)**

(\*\*) Term: **14 Years**

(21) Appl. No.: **29/188,373**

(22) Filed: **Aug. 18, 2003**

(30) **Foreign Application Priority Data**

Mar. 20, 2003 (JP) ..... 2003-007618

(51) **LOC (7) Cl.** ..... **15-03**

(52) **U.S. Cl.** ..... **D15/31**

(58) **Field of Search** ..... D15/10, 11, 22-26,  
D15/28, 31; 56/13.3, 13.4, 15.8, 15.9, 16.1,  
16.7, 202, 255, 254, 320.1; 180/89.1, 89.12,  
900

(56) **References Cited**

**U.S. PATENT DOCUMENTS**

D355,423 S	*	2/1995	Woods et al. ....	D15/23
D371,372 S	*	7/1996	Westimayer et al. ....	D15/31
D381,341 S	*	7/1997	Goebert et al. ....	D15/31
D389,492 S	*	1/1998	Schmidt et al. ....	D15/31
D413,905 S	*	9/1999	Schmidt et al. ....	D15/31
D419,164 S	*	1/2000	Heiler et al. ....	D15/31

D439,586 S	*	3/2001	Moehle et al. ....	D15/33
D451,106 S	*	11/2001	Crookes et al. ....	D15/31
D458,944 S	*	6/2002	Crooks et al. ....	D15/31
D466,531 S	*	12/2002	Hohnl et al. ....	D15/31
D483,383 S	*	12/2003	Crookes et al. ....	D15/31

\* cited by examiner

*Primary Examiner*—Mitchell Siegel

(74) *Attorney, Agent, or Firm*—Webb Ziesenheim Logsdon Orkin & Hanson P.C.

(57) **CLAIM**

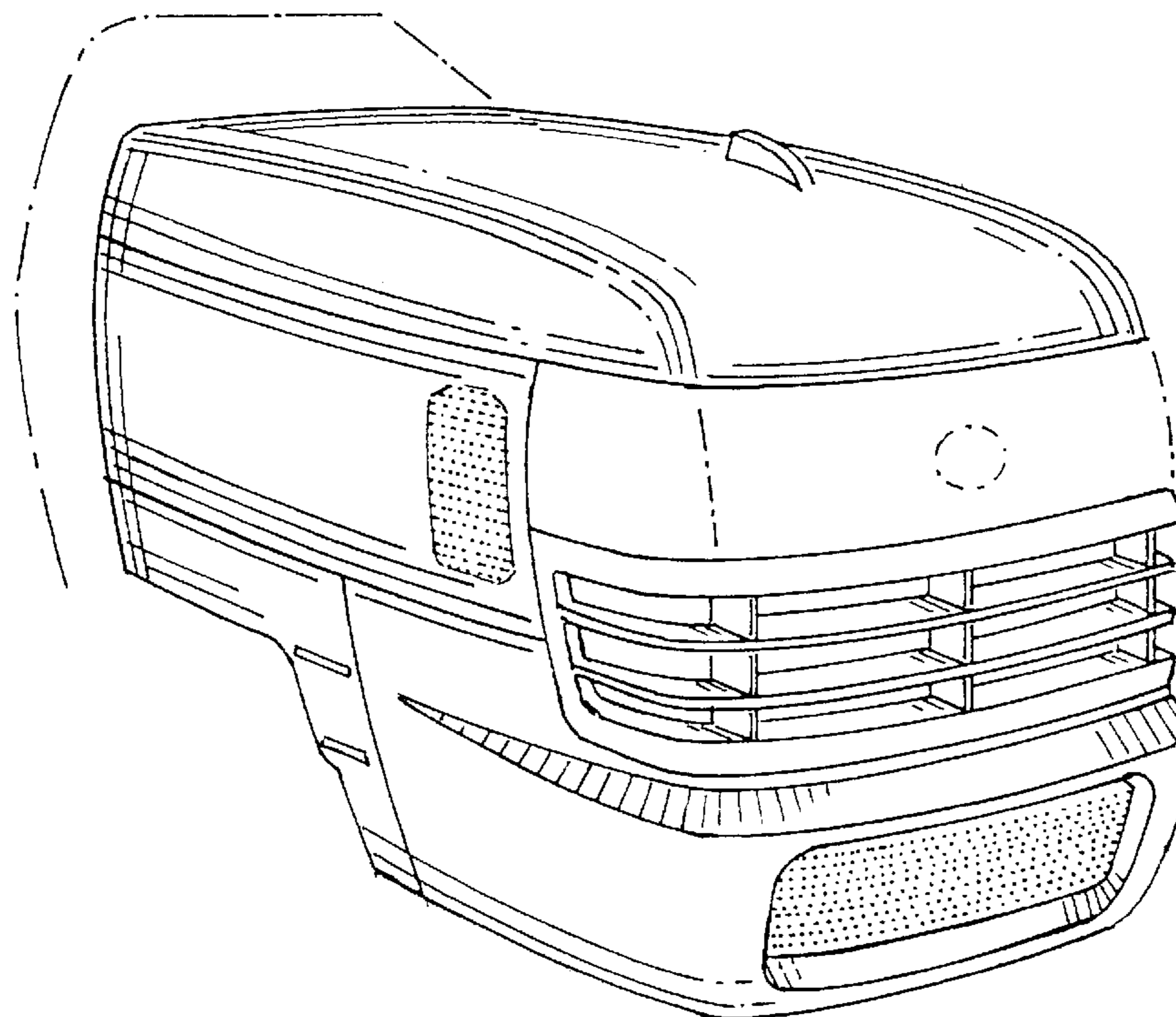
The ornamental design for a hood portion of an agricultural tractor, as shown and described.

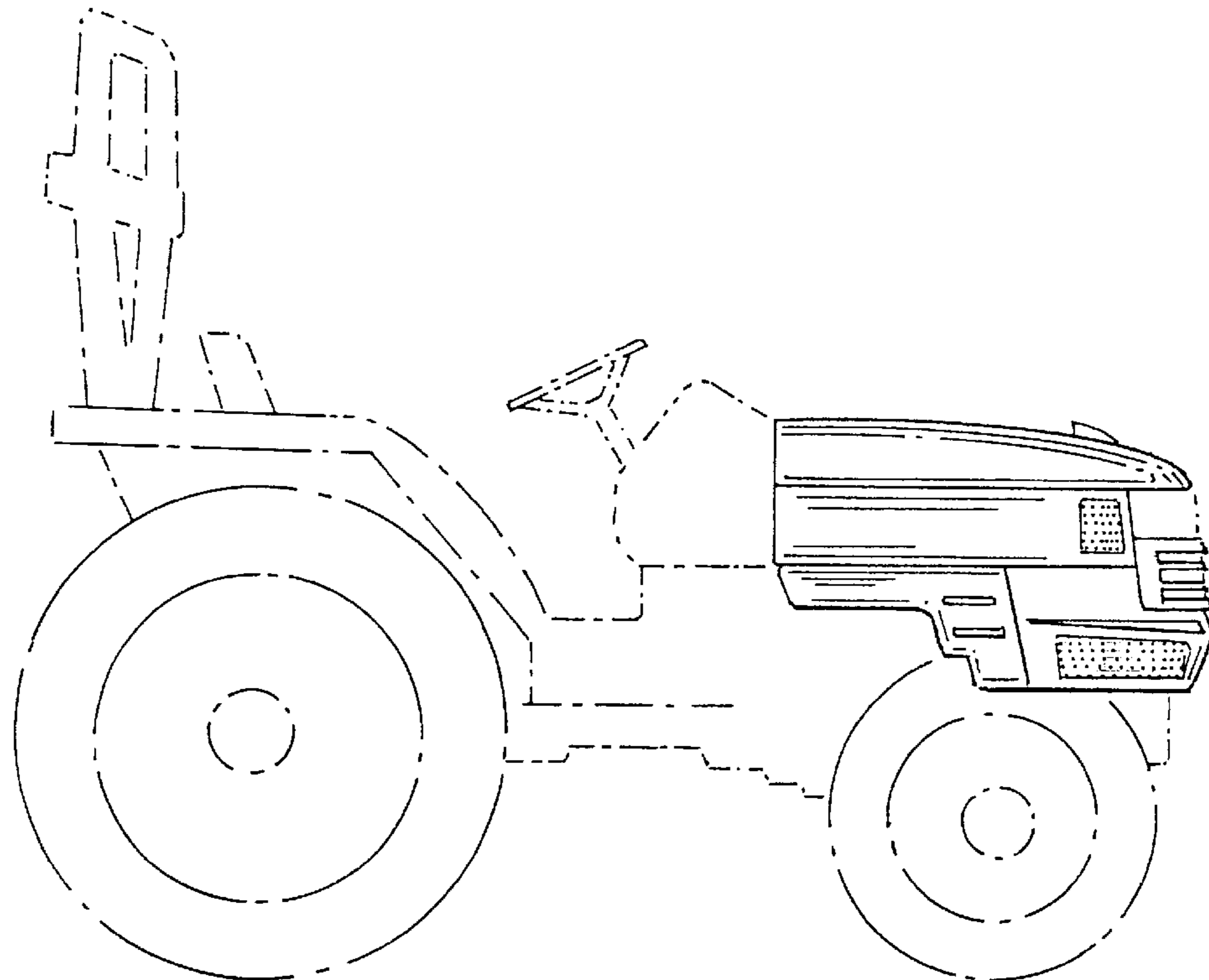
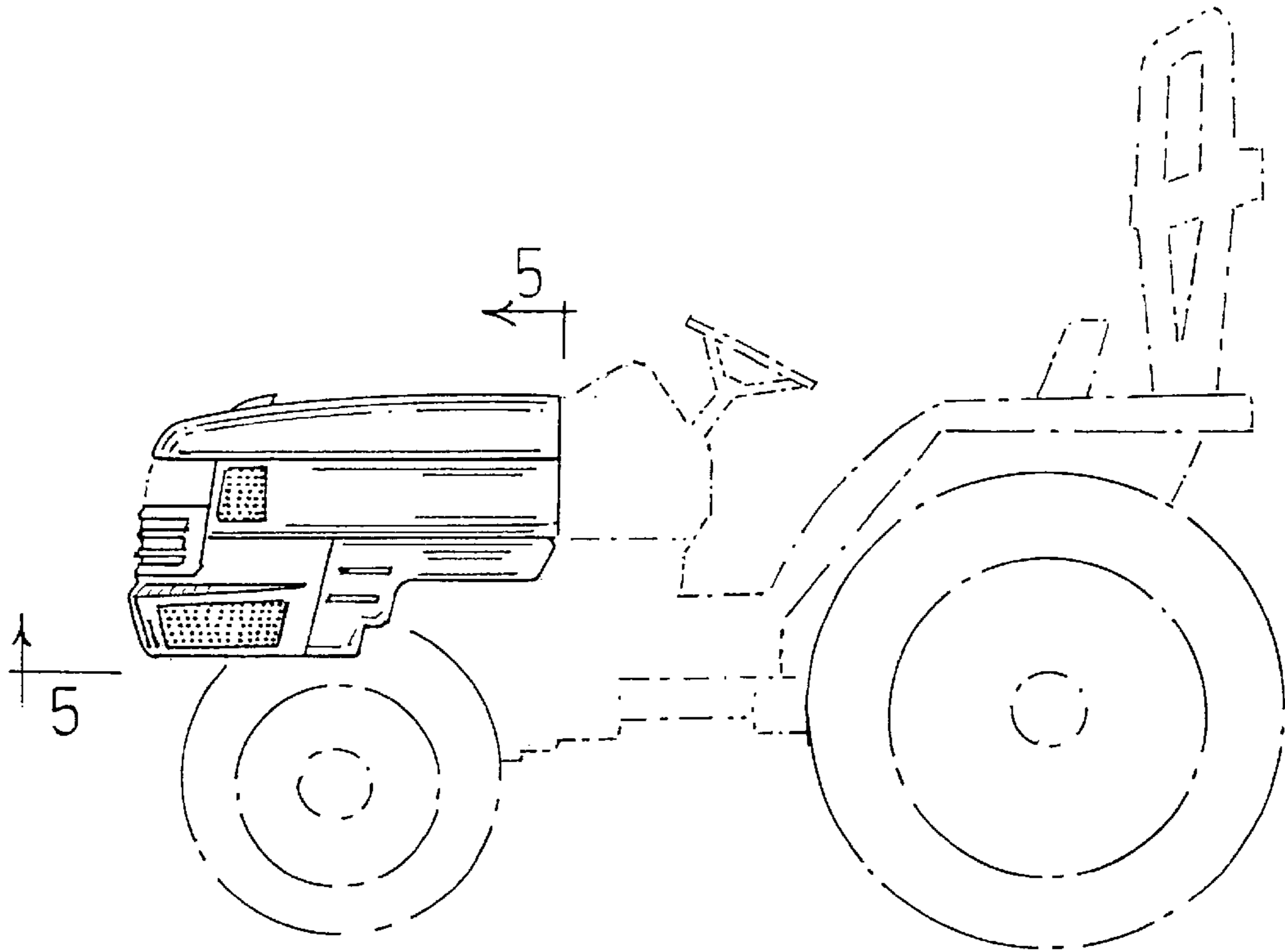
**DESCRIPTION**

FIG. 1 is a right side view of the hood portion of an agricultural tractor in accordance with the present invention; FIG. 2 is a left side view thereof; FIG. 3 is a front elevational view thereof; FIG. 4 is a top plan view thereof; FIG. 5 is an enlarged front elevational view taken on line 5—5 of FIGS. 1 and 3; FIG. 6 is an enlarged left side view of FIG. 5; FIG. 7 is an enlarged left perspective view of FIG. 5; and, FIG. 8 is a right perspective view of FIG. 1.

The broken line showing is for illustrative purposes only and forms no part of the claimed design.

**1 Claim, 5 Drawing Sheets**





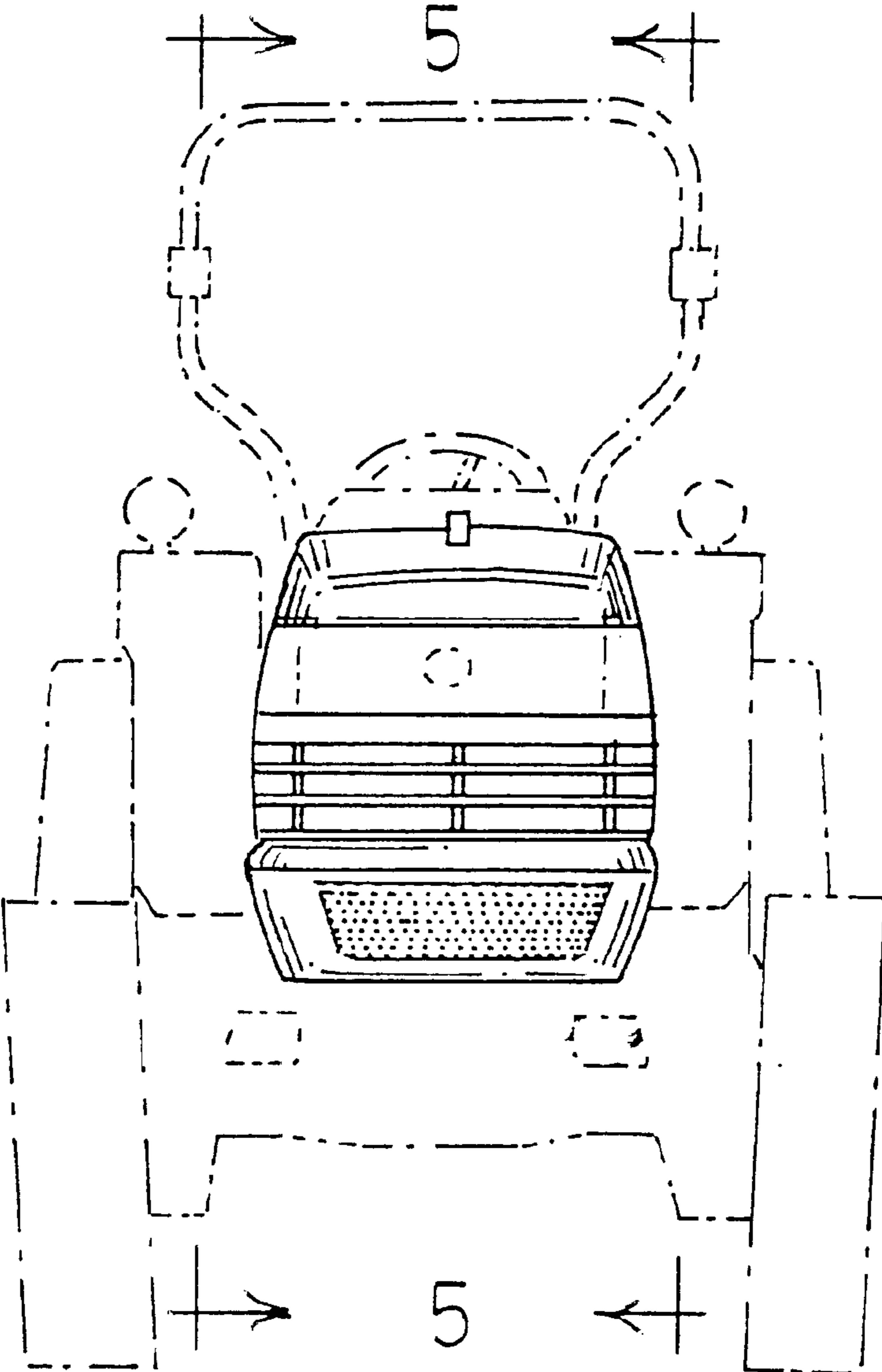


FIG. 3

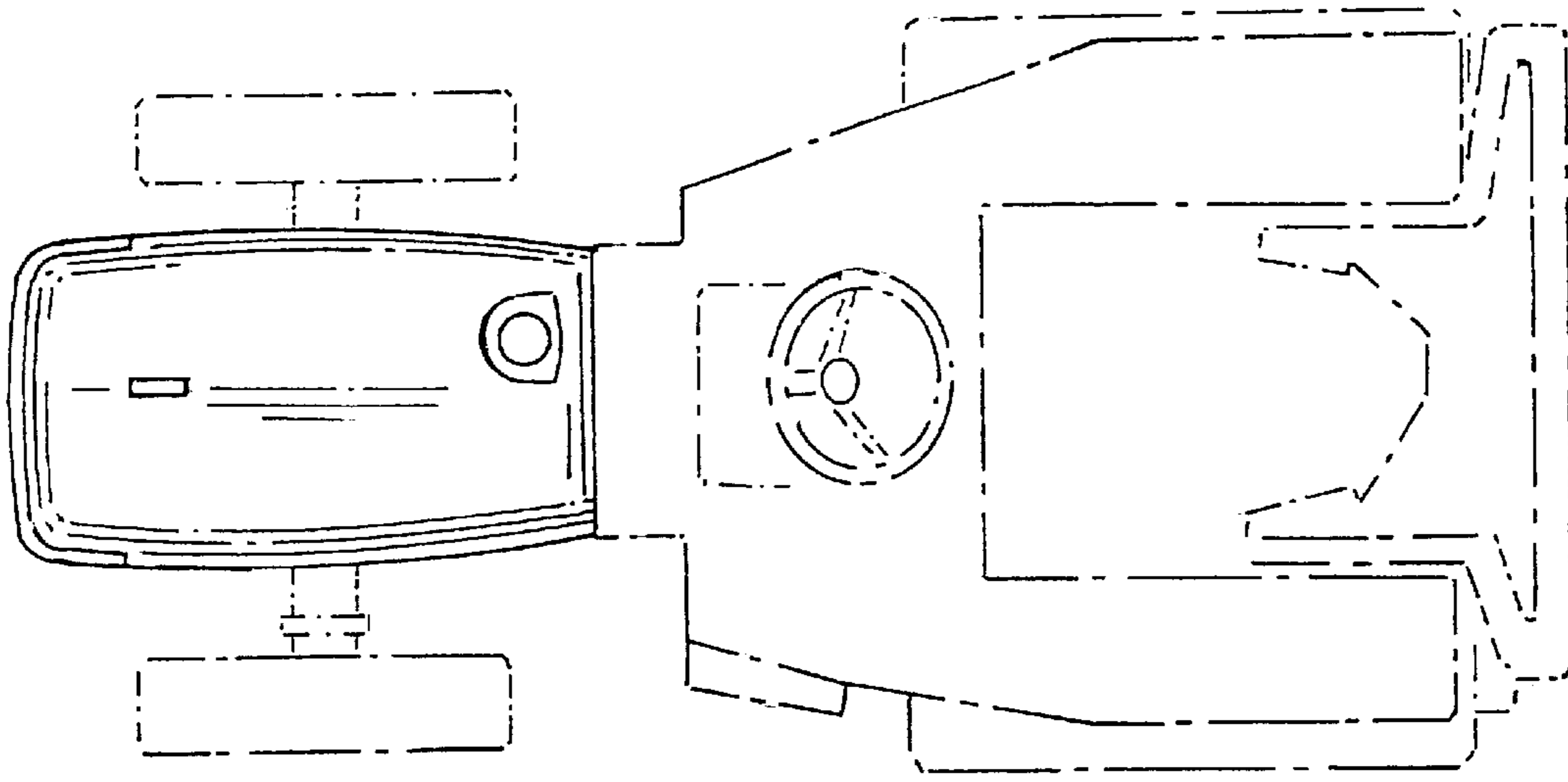


FIG. 4

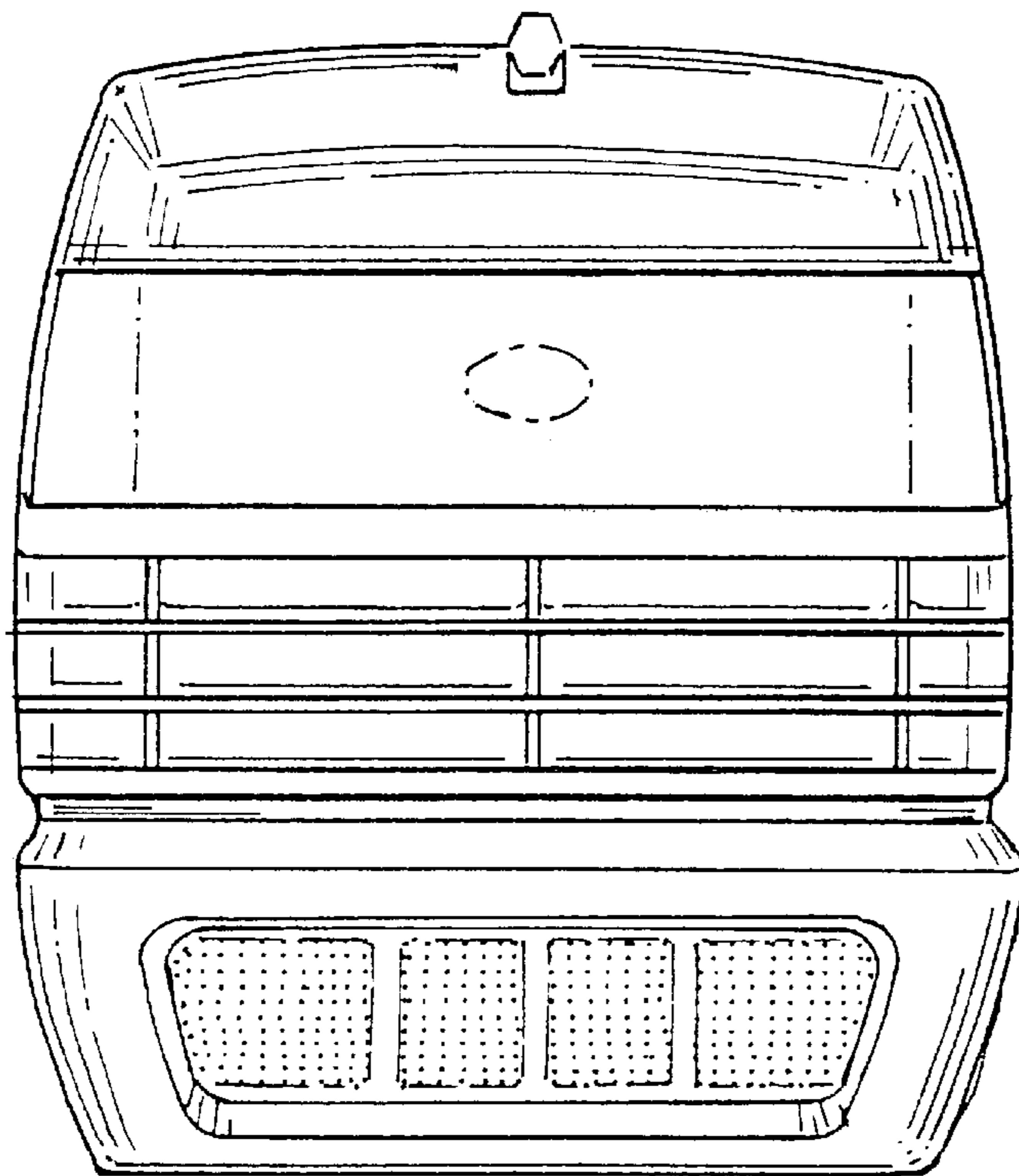


FIG. 5

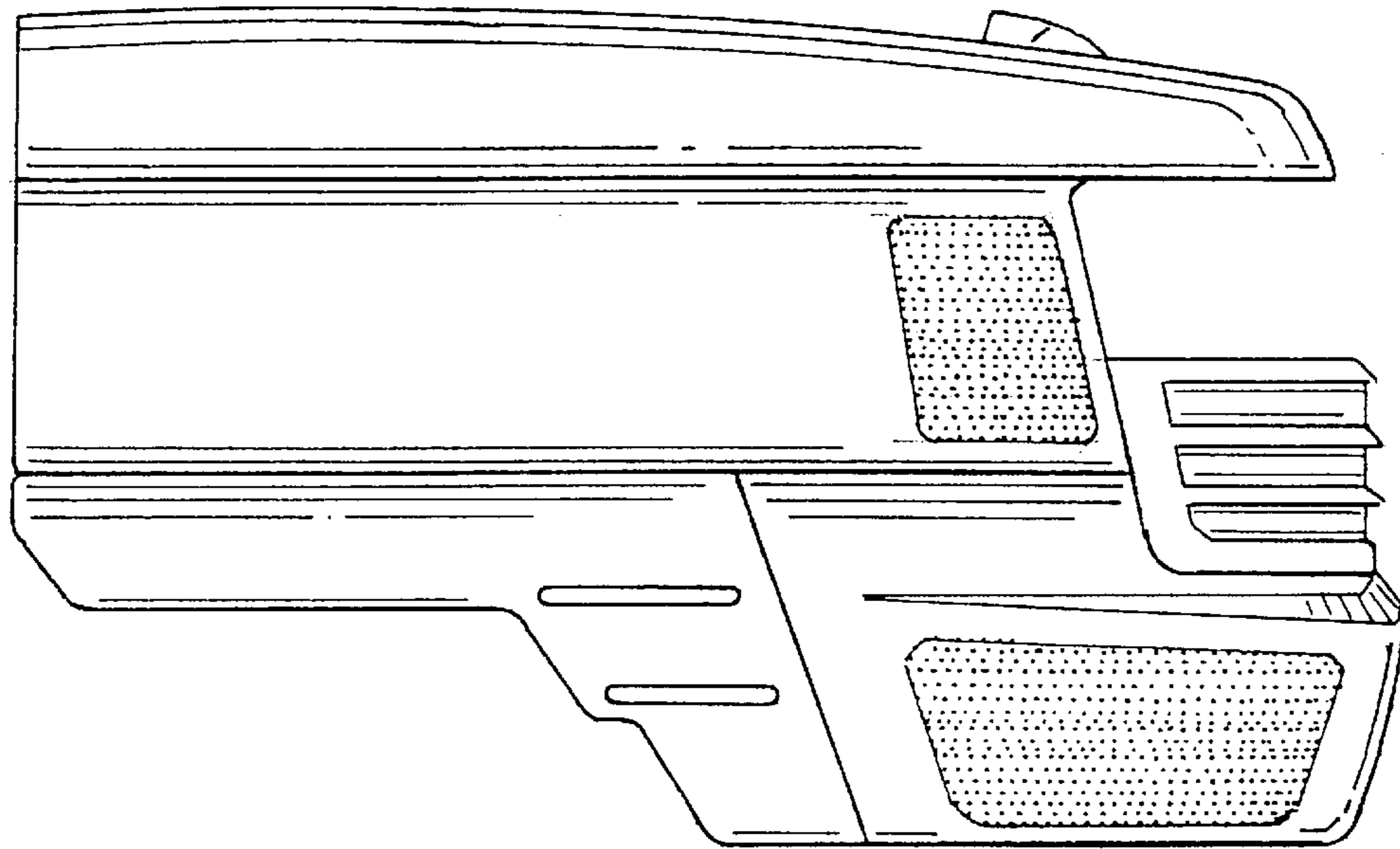


FIG. 6

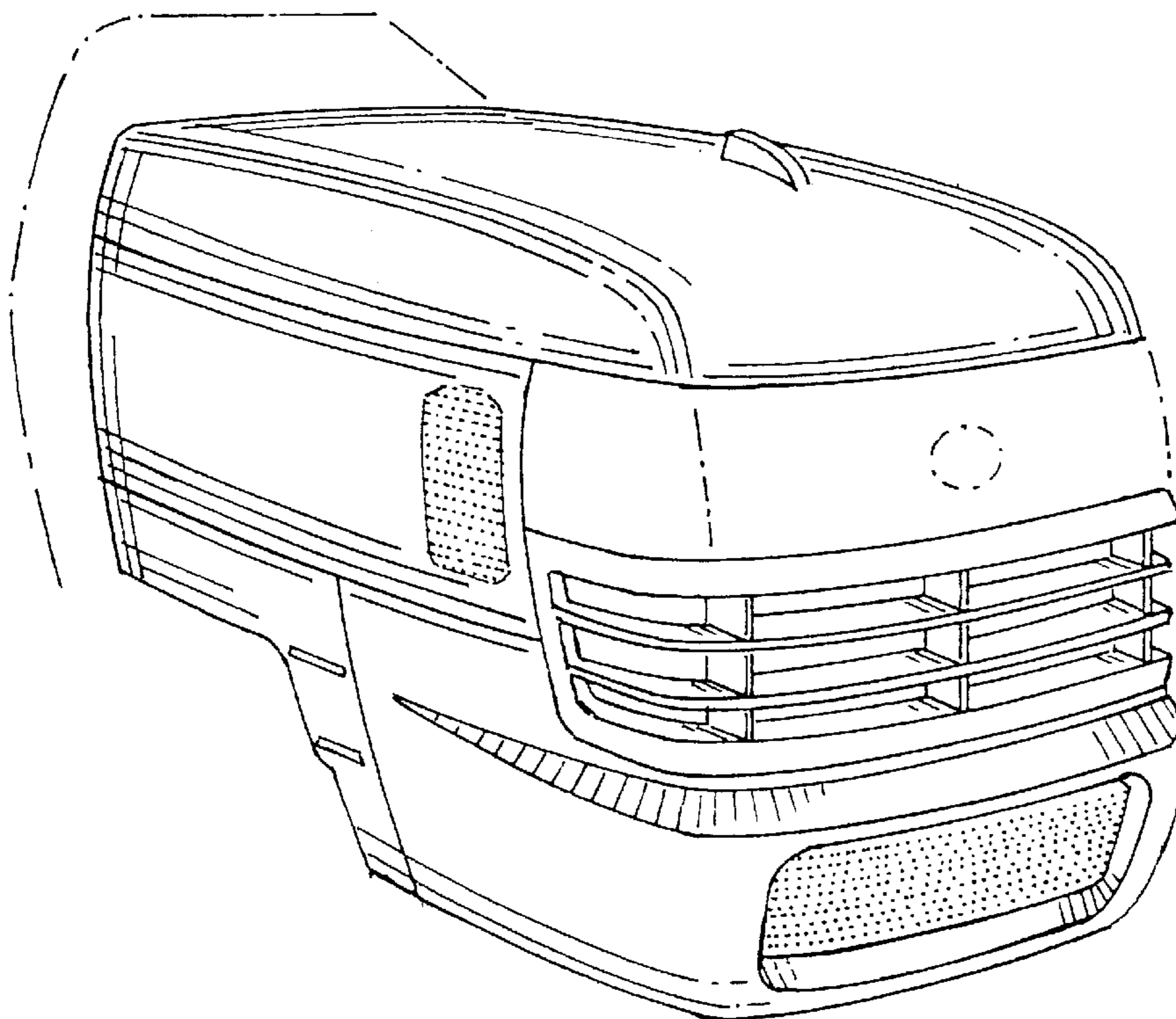


FIG. 7

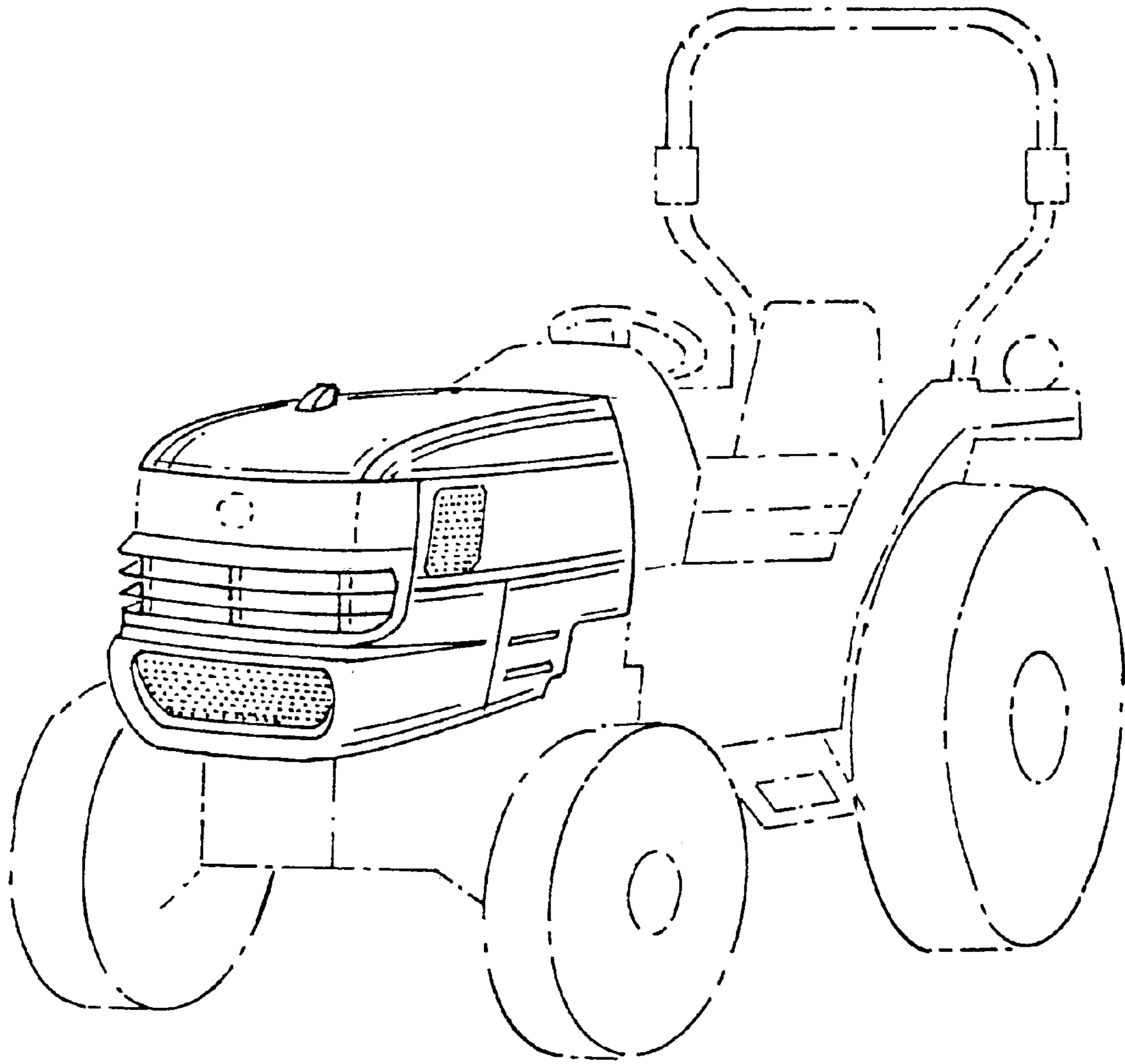


FIG. 8