

US00D497369S1

(12) **United States Design Patent**
Govier et al.

(10) **Patent No.: US D497,369 S**
(45) **Date of Patent: ** Oct. 19, 2004**

(54) **COMPRESSOR**

(75) Inventors: **David Govier**, Mappleborough Green (GB); **Jon Morrison**, Nr Pershore (GB)

(73) Assignee: **Compair UK Limited**, High Wycombe (GB)

(**) Term: **14 Years**

(21) Appl. No.: **29/179,625**

(22) Filed: **Apr. 11, 2003**

(30) **Foreign Application Priority Data**

Oct. 12, 2002 (GB) 3007709

(51) **LOC (7) Cl. 15-02**

(52) **U.S. Cl. D15/9**

(58) **Field of Search** D15/7-9; D23/231, D23/232; 417/410.4, 359, 415, 410.3, 234, 229, 321, 265, 405

(56) **References Cited**

U.S. PATENT DOCUMENTS

- D354,753 S * 1/1995 Turner et al. D15/7
- D374,237 S * 10/1996 Wang D15/7
- D385,889 S * 11/1997 Kullas et al. D15/7

- D394,268 S * 5/1998 Evans et al. D15/7
- D404,400 S * 1/1999 Wang D15/7
- D429,736 S * 8/2000 Flynn D15/7
- D454,885 S * 3/2002 Murayama et al. D15/7
- D454,886 S * 3/2002 Ohya D15/7
- D466,521 S * 12/2002 Kumar et al. D15/7

* cited by examiner

Primary Examiner—Ralf Seifert

(74) *Attorney, Agent, or Firm*—Townsend and Townsend and Crew LLP

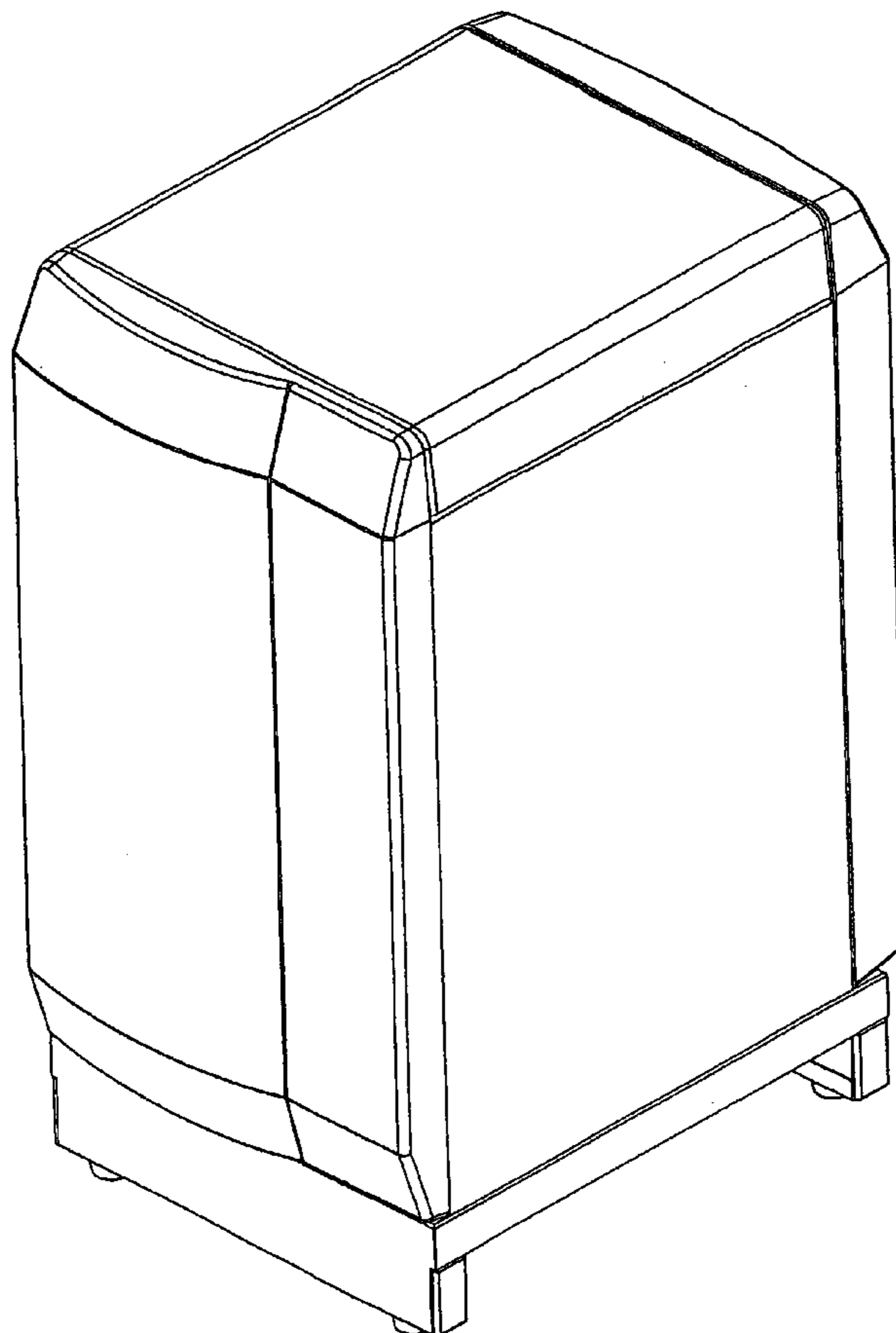
(57) **CLAIM**

The ornamental design for compressor, as shown and described herein

DESCRIPTION

FIG. 1 is a perspective, front and side elevational view of our compressor design;
 FIG. 2 is a left side elevational view thereof;
 FIG. 3 is a top plan view thereof;
 FIG. 4 is a rear elevational view thereof;
 FIG. 5 is a front elevational view thereof;
 FIG. 6 is a right side elevational view thereof; and,
 FIG. 7 is a bottom end view of our compressor design.

1 Claim, 7 Drawing Sheets



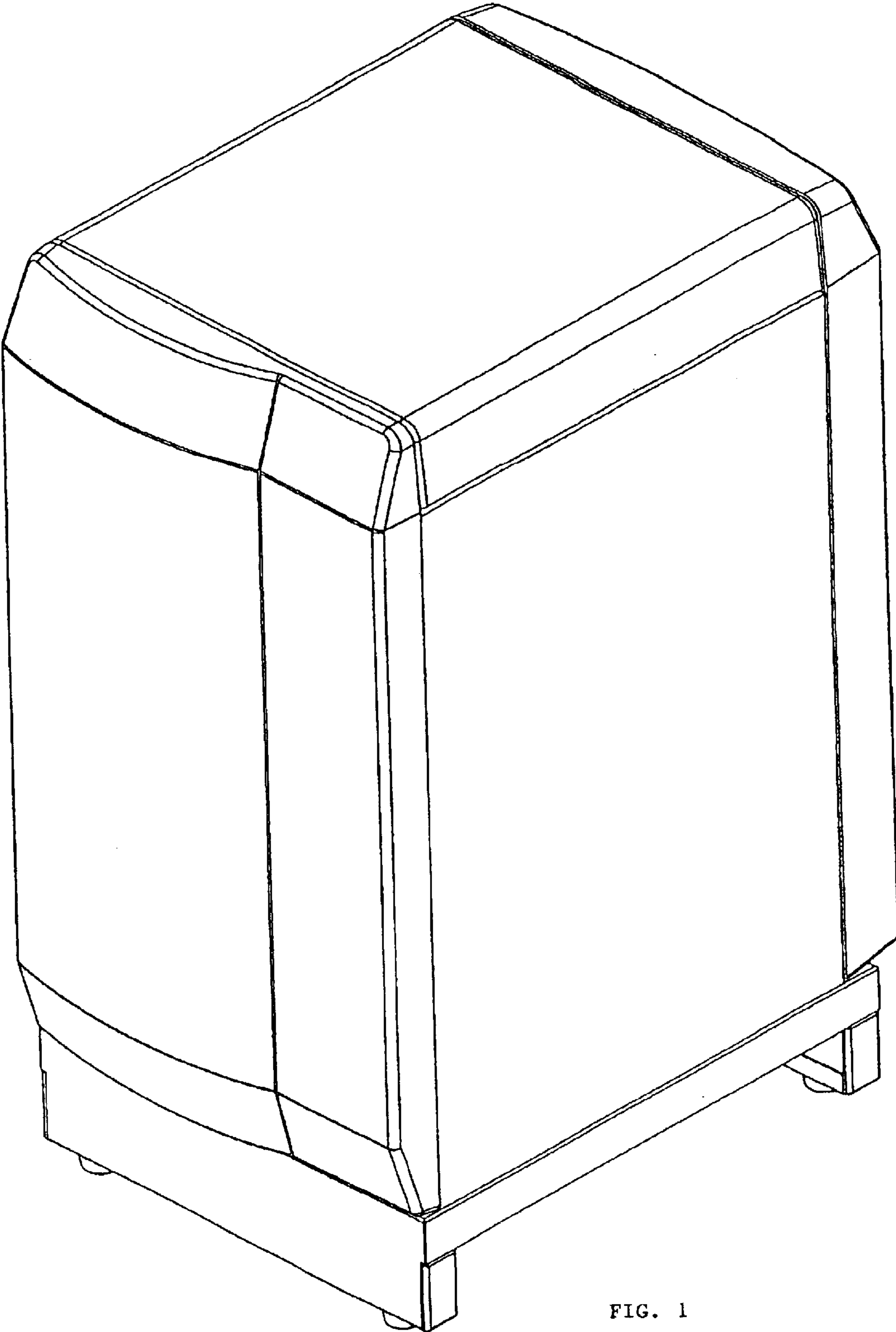


FIG. 1

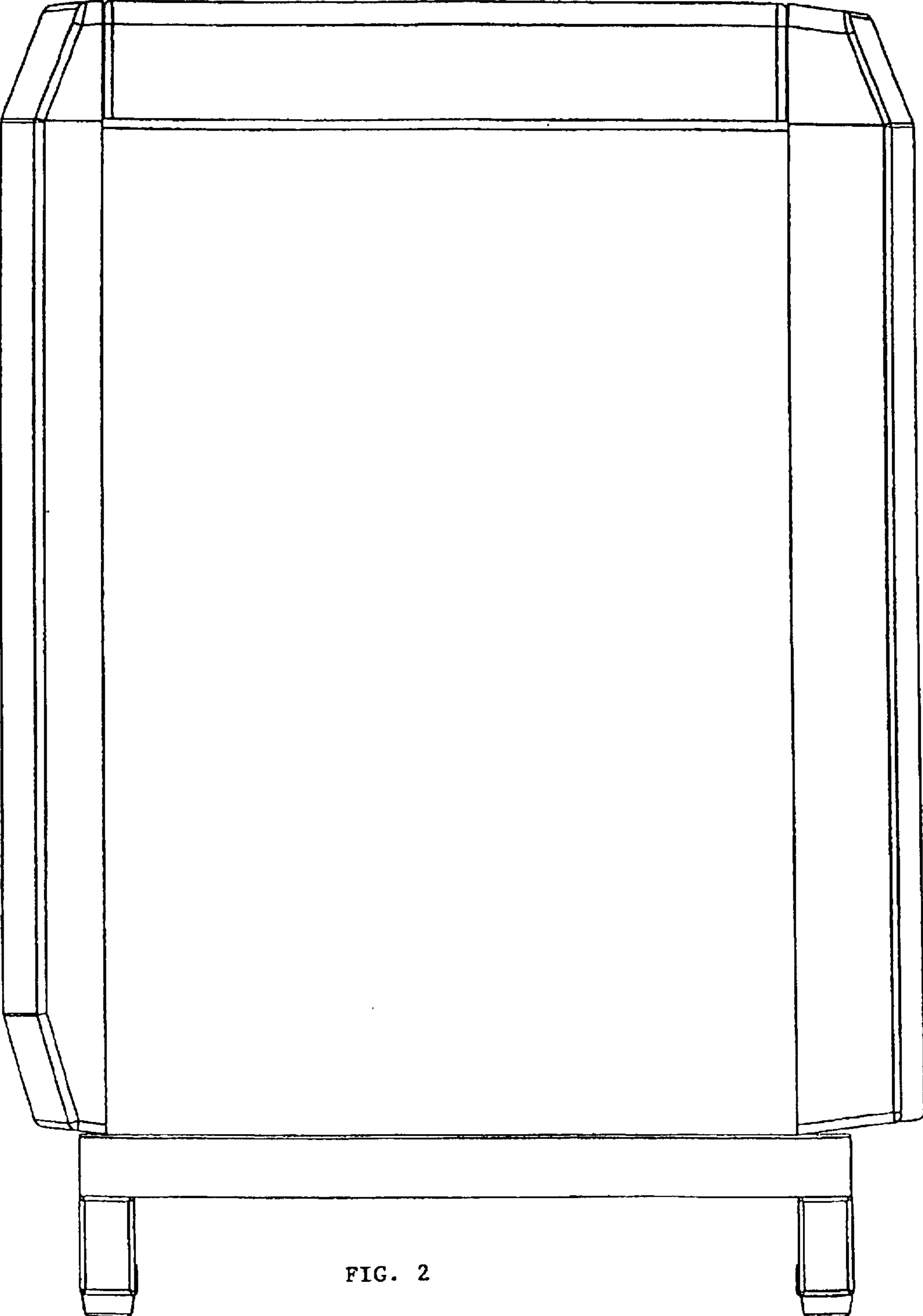


FIG. 2

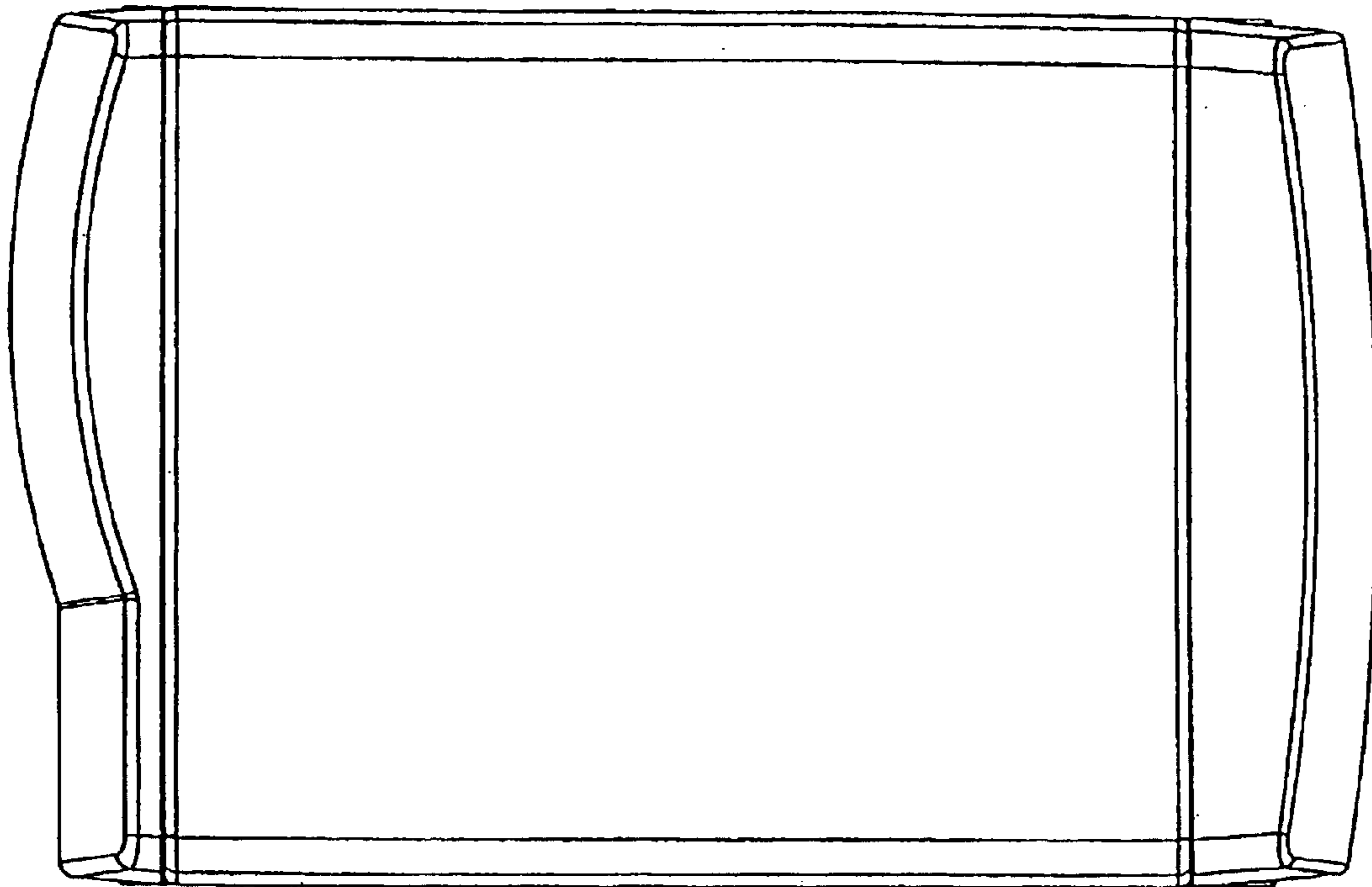


FIG. 3

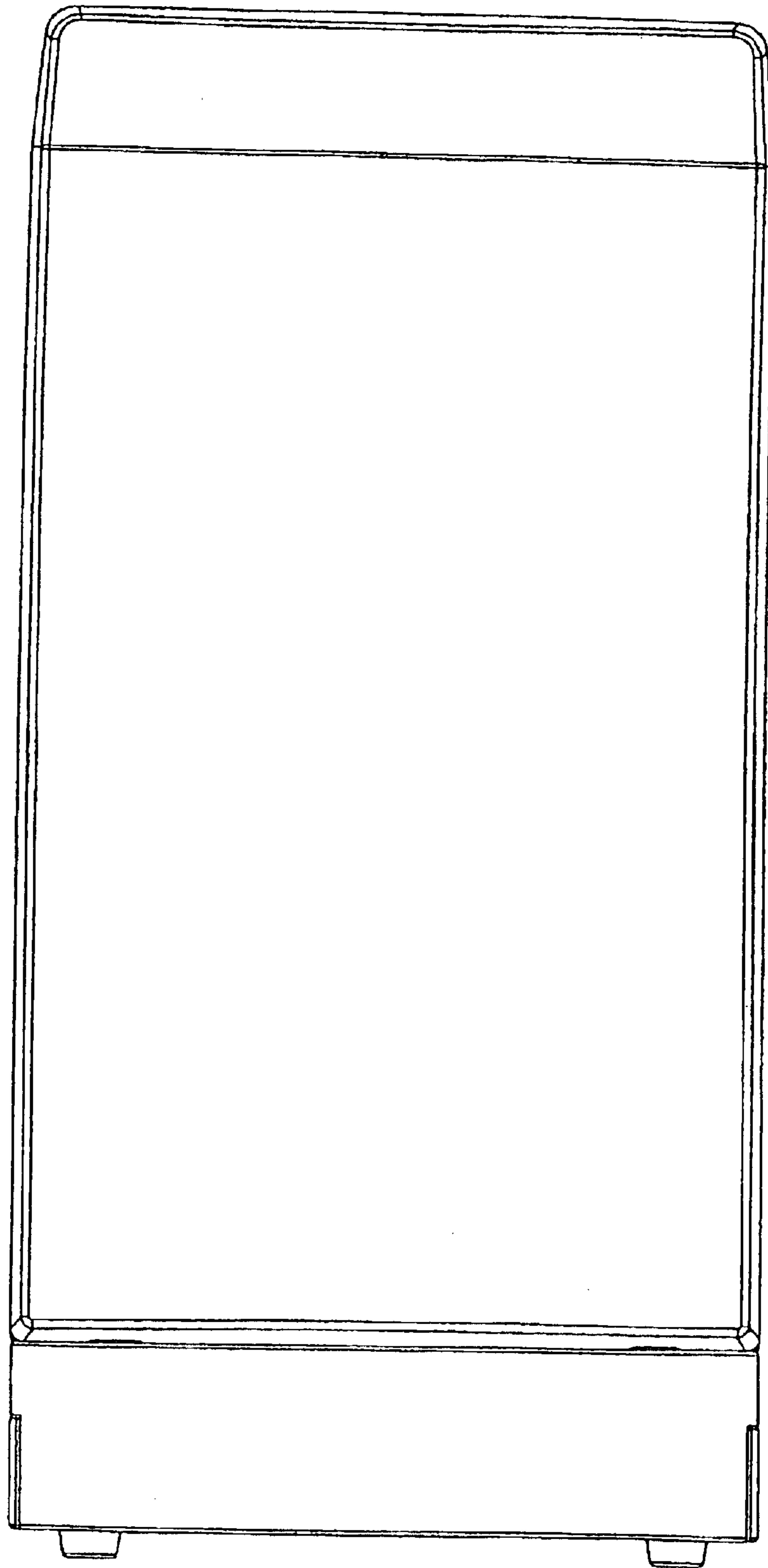


FIG. 4

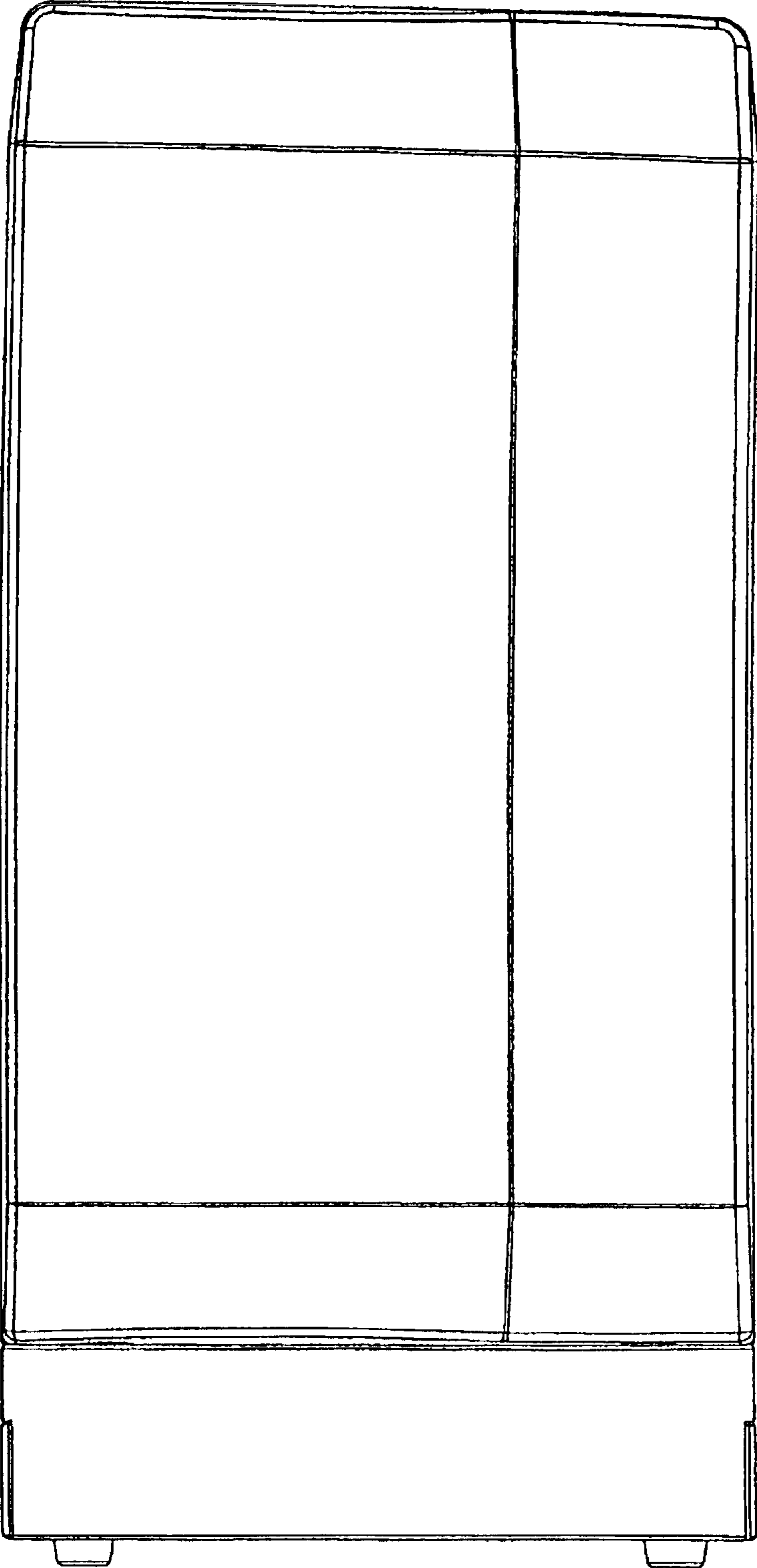


FIG. 5

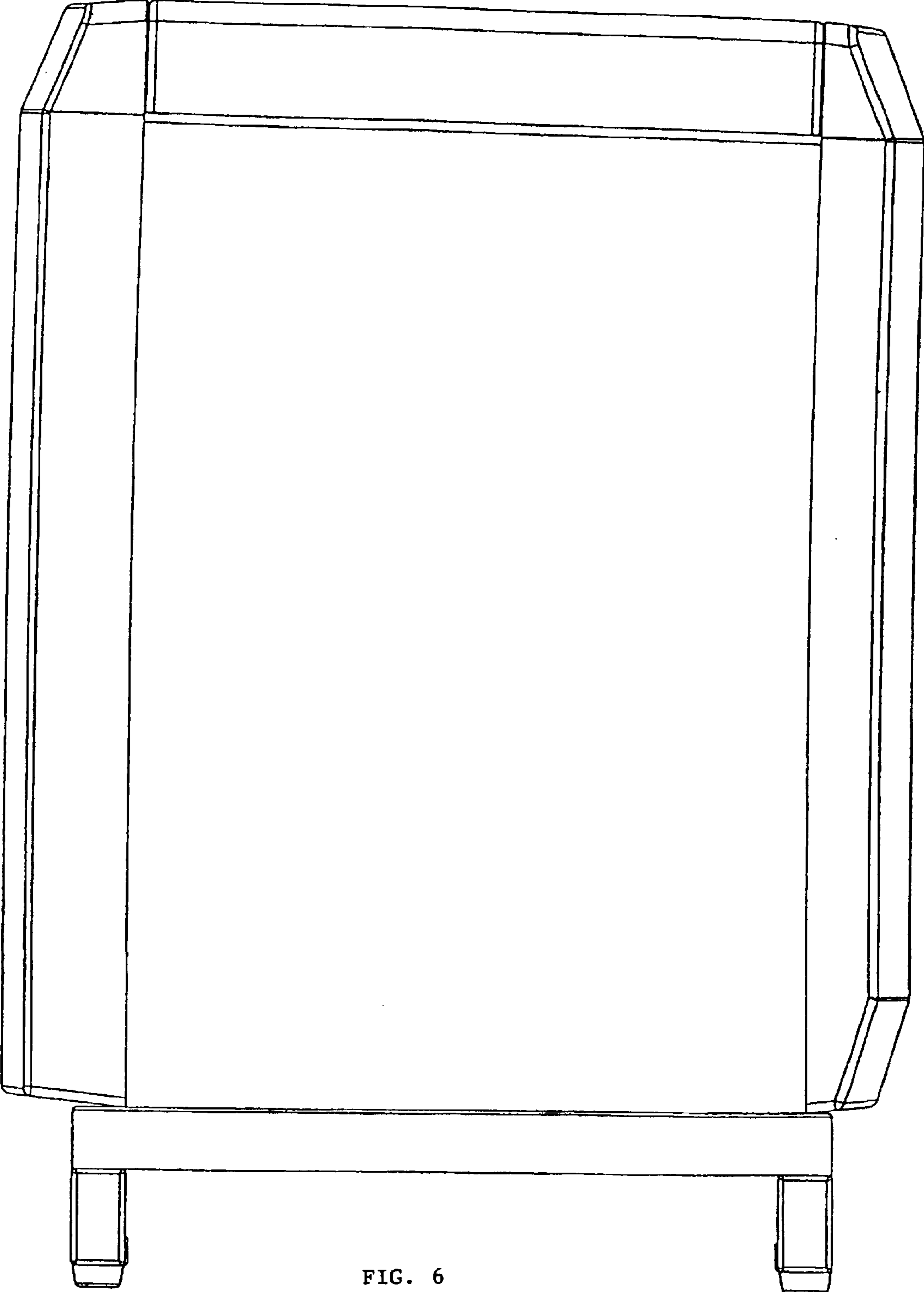


FIG. 6

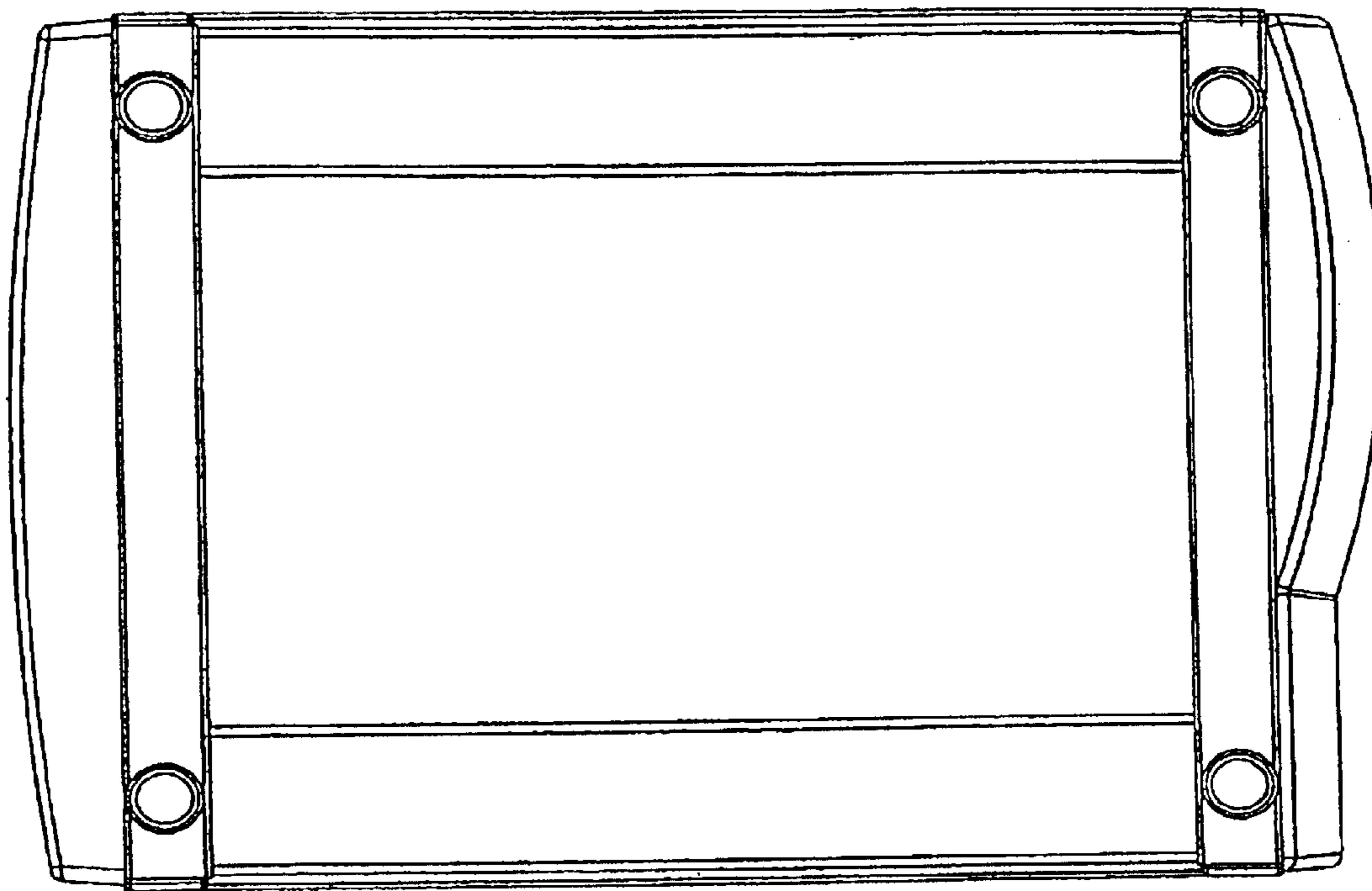


FIG. 7