

US00D497363S1

(12) **United States Design Patent** (10) **Patent No.:** **US D497,363 S**  
**Olson et al.** (45) **Date of Patent:** **\*\* Oct. 19, 2004**

(54) **LIQUID CRYSTAL DISPLAY**

(75) Inventors: **Mark H. Olson**, Sunnyvale, CA (US);  
**Jeff Wyatt**, Sunnyvale, CA (US);  
**Michael Voege**, Sunnyvale, CA (US);  
**Luke Williams**, Sunnyvale, CA (US);  
**Garth Gibby**, Sunnyvale, CA (US);  
**Ethan Imboden**, Sunnyvale, CA (US);  
**Ana Reza**, Sunnyvale, CA (US)

(73) Assignee: **Hannspree, Inc.**, Taipei (TW)

(\*\*) Term: **14 Years**

(21) Appl. No.: **29/190,587**

(22) Filed: **Sep. 22, 2003**

(30) **Foreign Application Priority Data**

Aug. 14, 2003 (TW) ..... 92304926

(51) **LOC (7) Cl.** ..... **14-02**

(52) **U.S. Cl.** ..... **D14/371**

(58) **Field of Search** ..... D14/371-375,  
D14/125-129, 315, 316, 322; 341/12; 345/104,  
156, 168, 173, 87, 901-905; 348/180, 184,  
325, 739; 349/1, 2, 11, 62; 248/917-924

(56) **References Cited**

**U.S. PATENT DOCUMENTS**

D387,040 S \* 12/1997 Iino ..... D14/375  
D439,900 S \* 4/2001 Baek ..... D14/374

\* cited by examiner

*Primary Examiner*—Freda S. Nunn  
(74) *Attorney, Agent, or Firm*—Thomas, Kayden,  
Horstemeyer & Risley

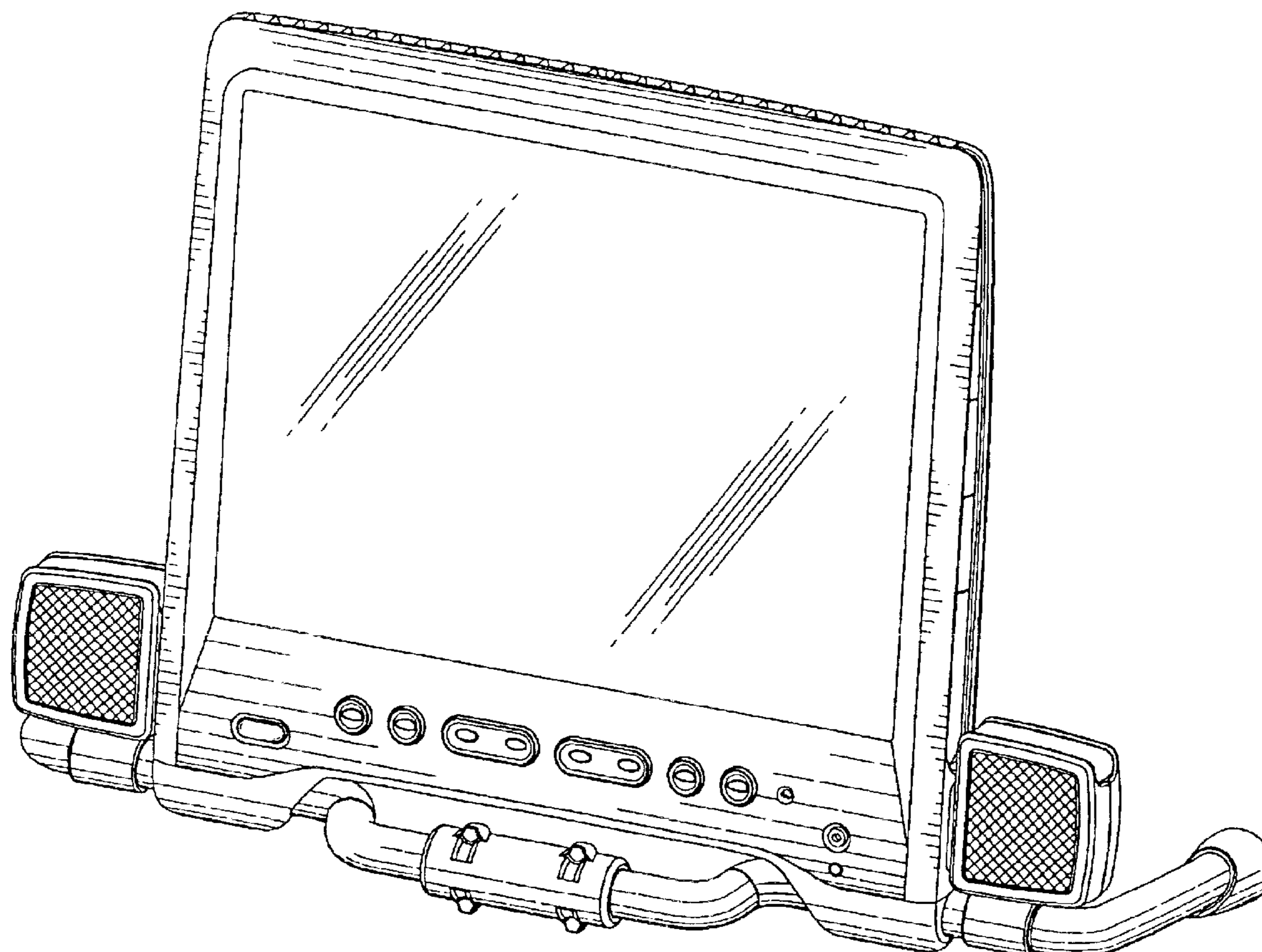
(57) **CLAIM**

The ornamental design for a liquid crystal display, as shown and described.

**DESCRIPTION**

FIG. 1 is a front perspective view thereof;  
FIG. 2 is a front elevational view thereof;  
FIG. 3 is a rear elevational view thereof;  
FIG. 4 is a left side elevational view thereof;  
FIG. 5 is a right side elevational view thereof;  
FIG. 6 is a top plane view thereof; and,  
FIG. 7 is a bottom plane view thereof.

**1 Claim, 6 Drawing Sheets**



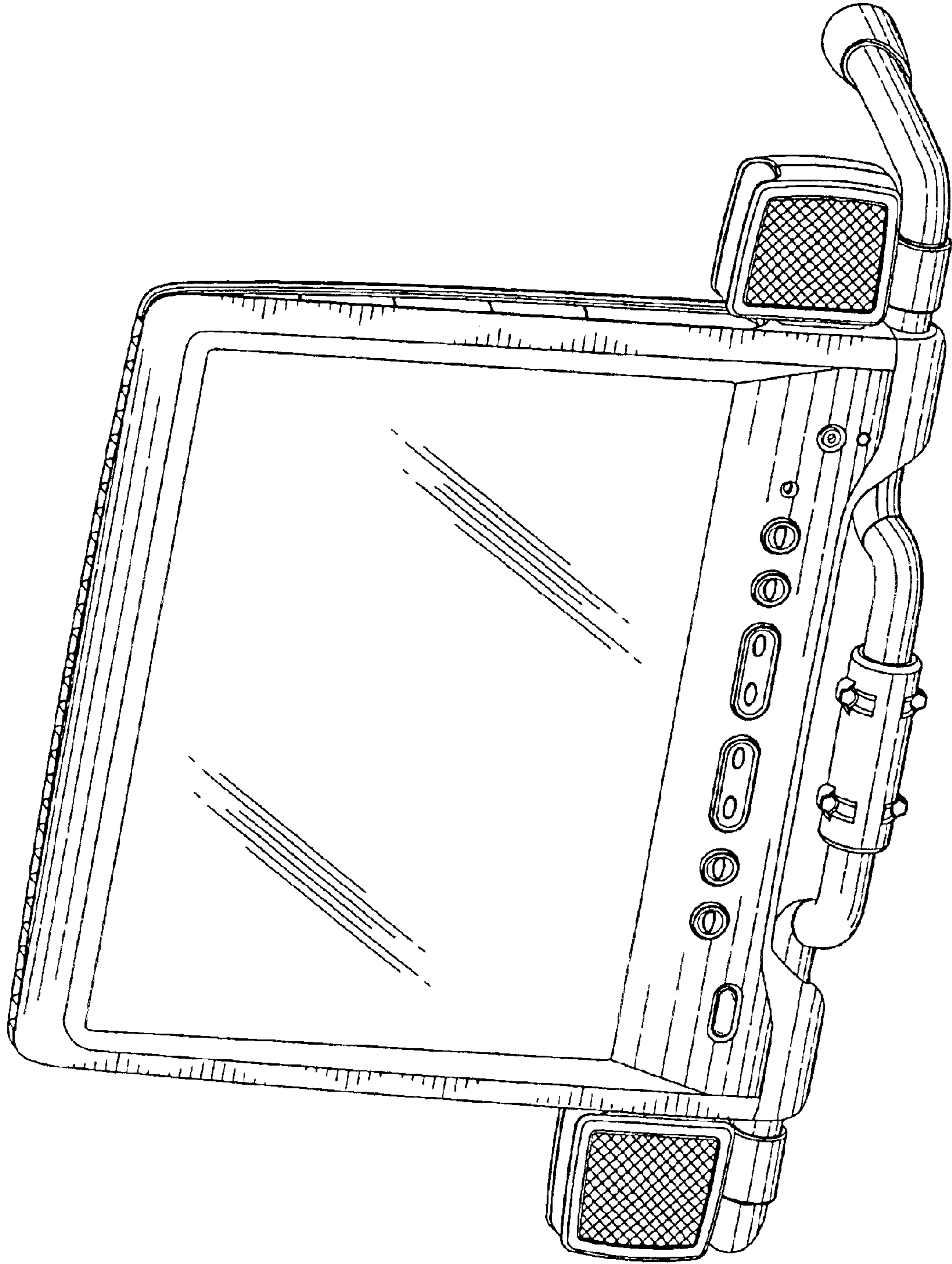


FIG. 1

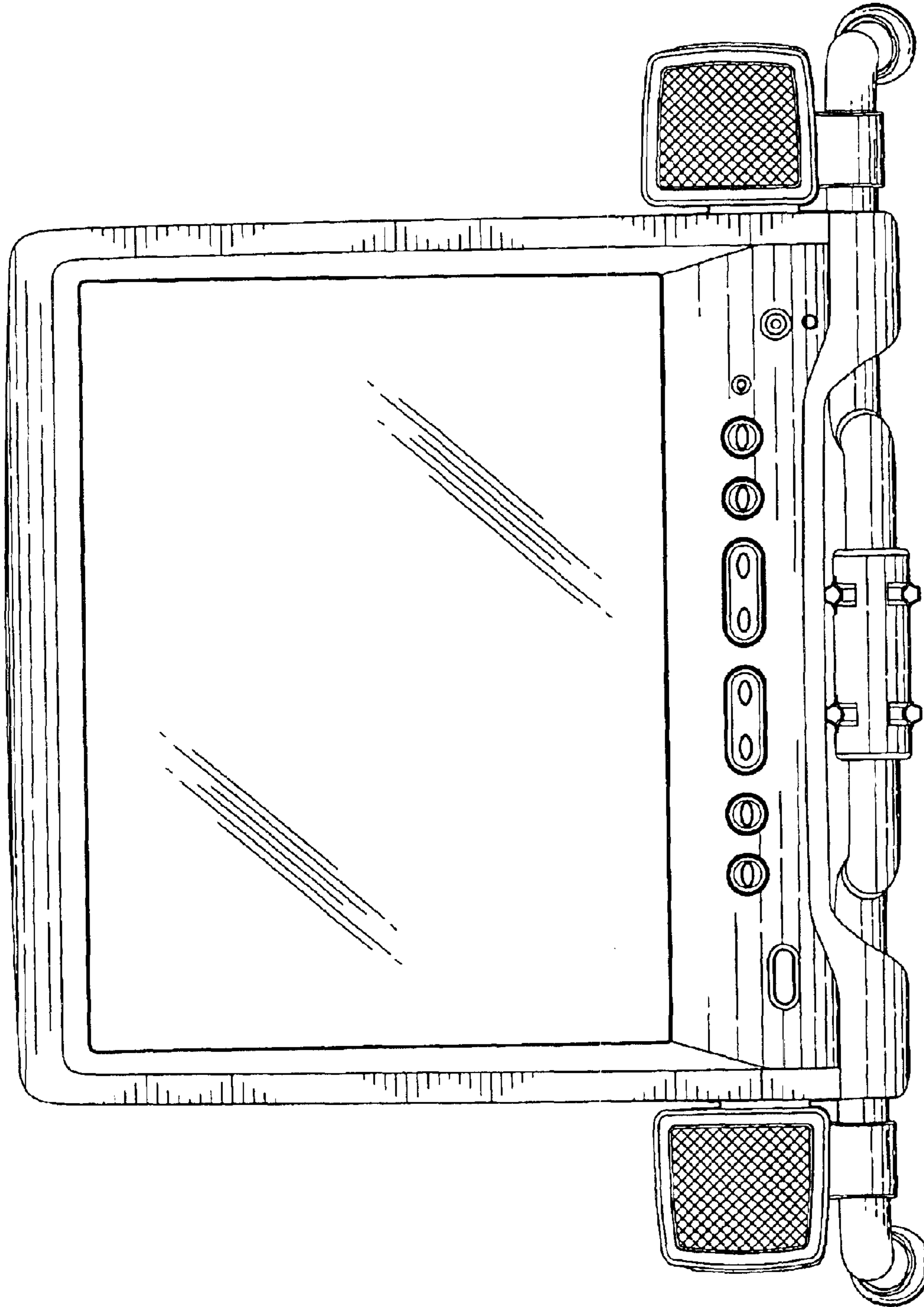


FIG. 2



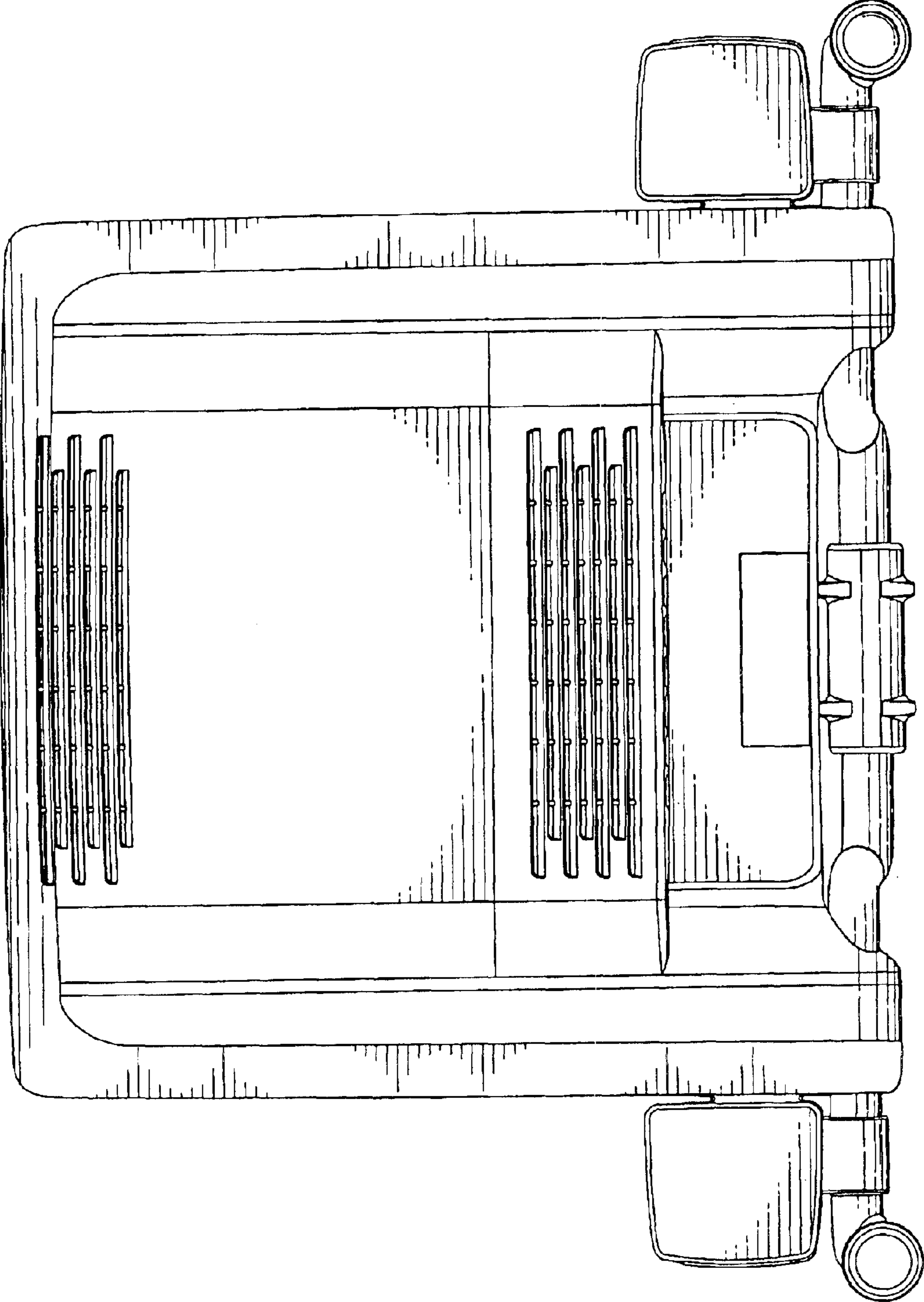


FIG. 3

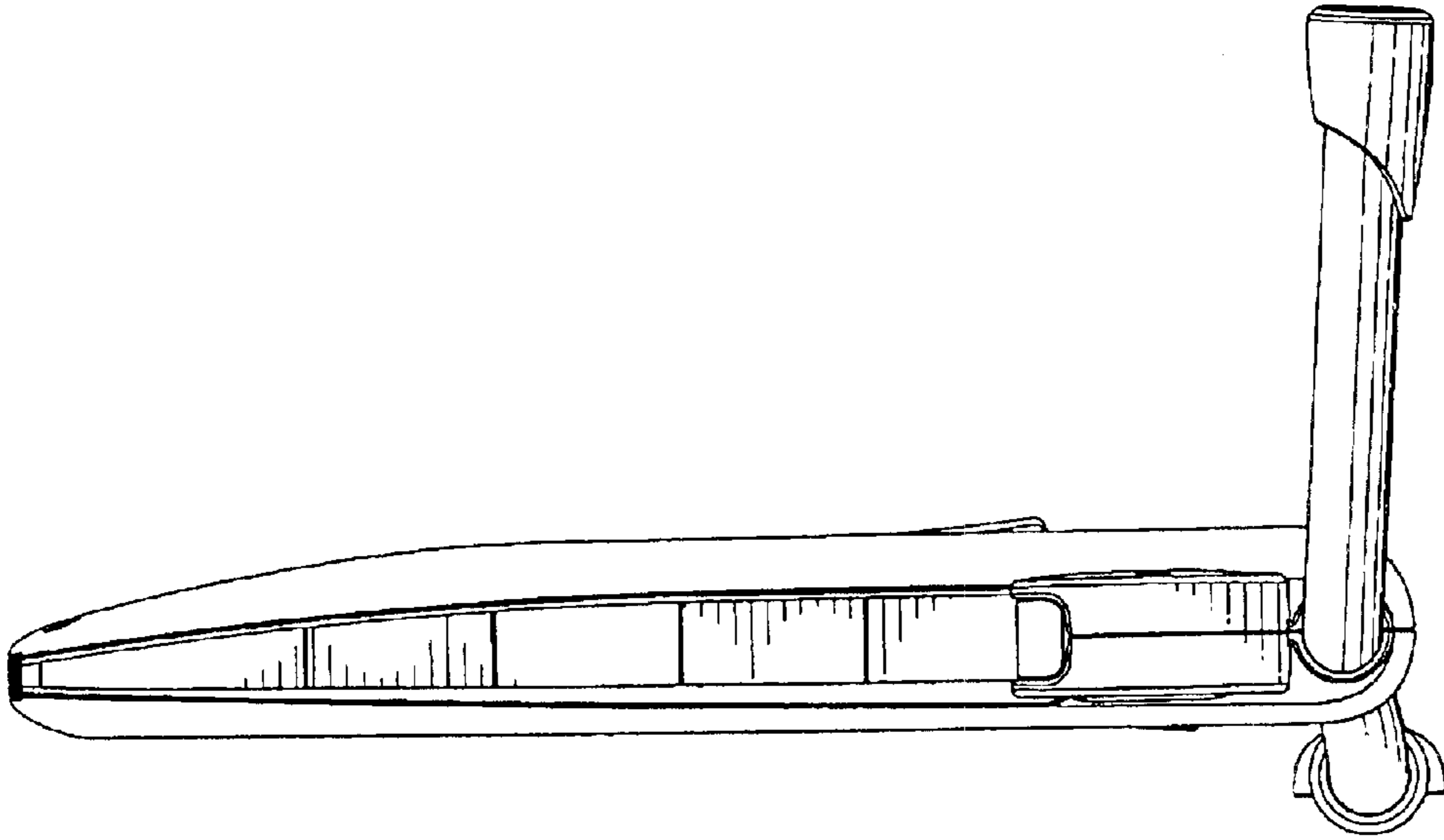


FIG. 5

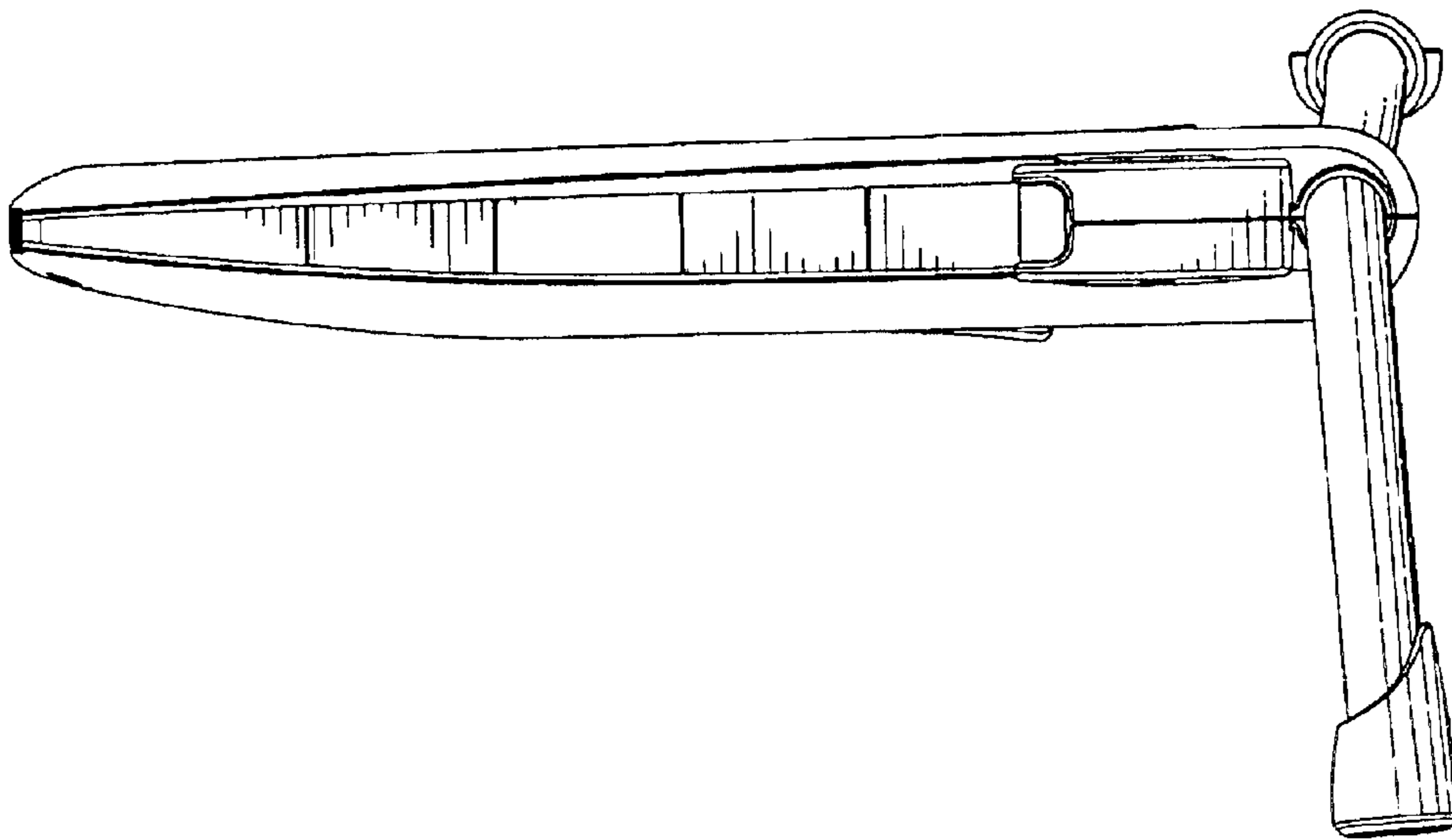


FIG. 4

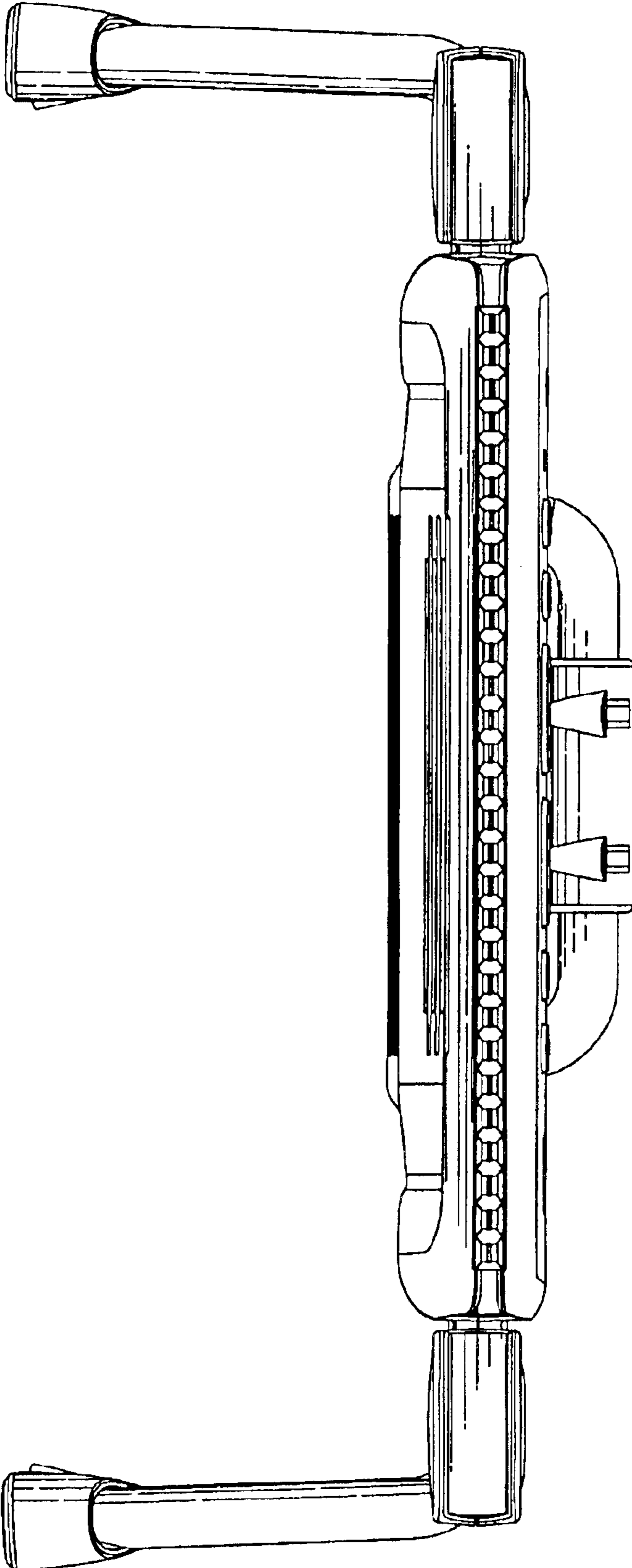


FIG. 6

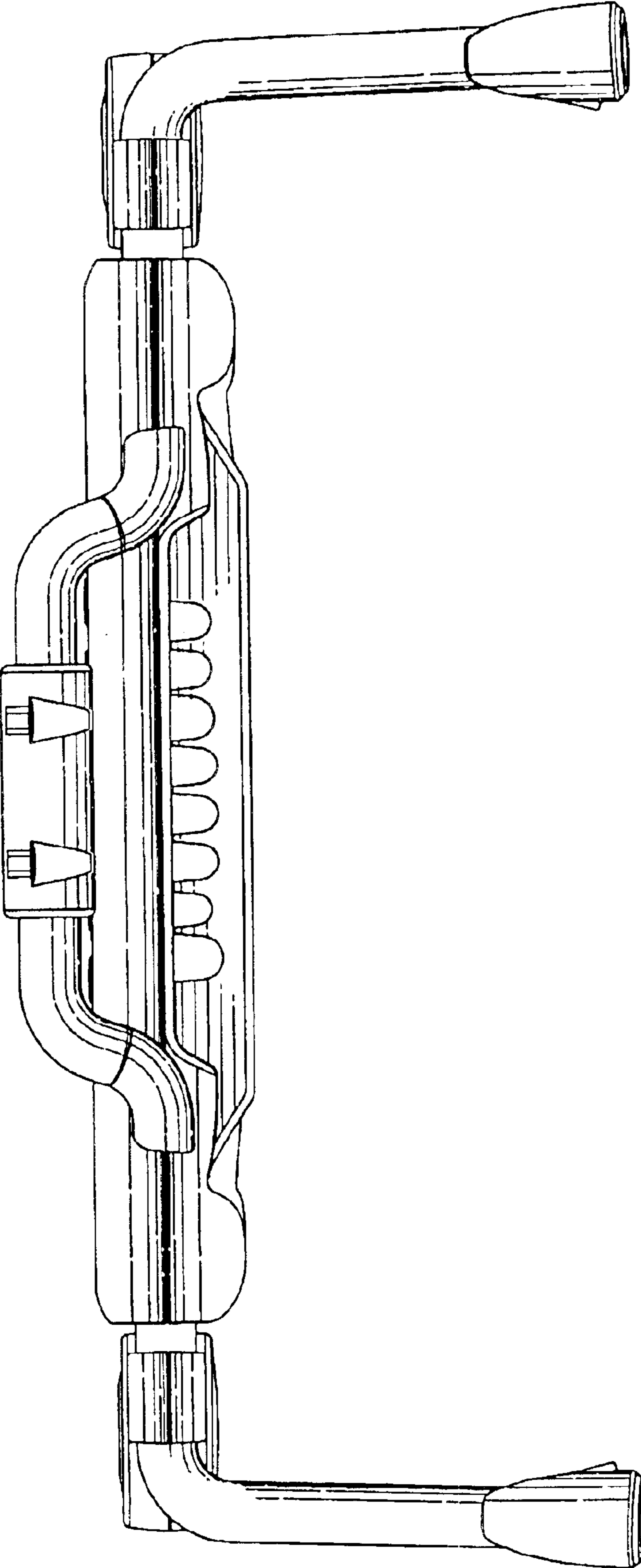


FIG. 7