

US00D497362S1

(12) **United States Design Patent**  
**Wang et al.**

(10) **Patent No.:** **US D497,362 S**  
(45) **Date of Patent:** **\*\* Oct. 19, 2004**

(54) **SMART DISPLAY**

D443,256 S \* 6/2001 Yoshiyama ..... D14/129  
6,323,902 B1 \* 11/2001 Ishikawa ..... 348/373

(75) Inventors: **Hong-Tien Wang**, Taipei (TW); **Chia Lung Lee**, Taichung County (TW)

\* cited by examiner

(73) Assignee: **Tatung Co., Ltd.**, Taipei (TW)

*Primary Examiner*—Freda S. Nunn

(74) *Attorney, Agent, or Firm*—Bacon & Thomas PLLC

(\*\*) Term: **14 Years**

(57) **CLAIM**

(21) Appl. No.: **29/188,073**

The ornamental design for the smart display, as shown and described.

(22) Filed: **Aug. 13, 2003**

**DESCRIPTION**

(51) **LOC (7) Cl.** ..... **14-02**

(52) **U.S. Cl.** ..... **D14/371**

(58) **Field of Search** ..... D14/371-375,  
D14/125-129, 314, 315, 318, 322; 341/12;  
345/104, 156, 168, 173, 87, 901-905; 348/180,  
184, 373, 739; 349/1, 2, 58, 62; 248/917-924

FIG. 1 is a perspective view of a smart display showing our new design;

FIG. 2 is a front view thereof;

FIG. 3 is a rear view thereof;

FIG. 4 is a left side view thereof;

FIG. 5 is a right side view thereof;

FIG. 6 is a top view thereof;

FIG. 7 is a bottom view thereof; and,

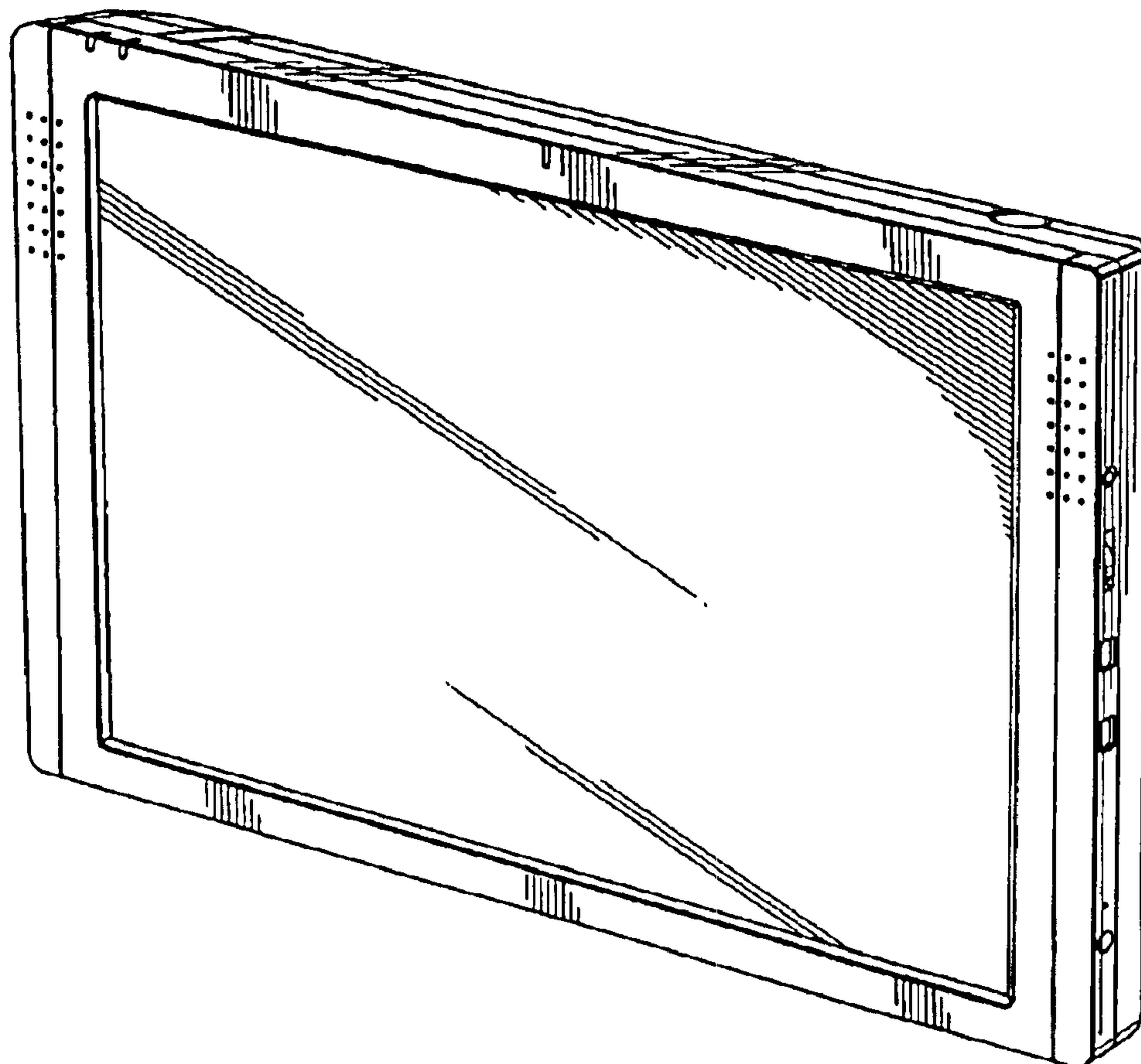
FIG. 8 is a view thereof showing an application of a smart display wherein the dash line illustrates a keyboard being connected to the smart display.

(56) **References Cited**

**U.S. PATENT DOCUMENTS**

D324,673 S \* 3/1992 Iino ..... D14/315  
5,905,550 A \* 5/1999 Ohgami et al. .... 349/58  
D424,068 S \* 5/2000 Takemasa ..... D14/374  
D428,003 S \* 7/2000 Lee et al. .... D14/315

**1 Claim, 4 Drawing Sheets**



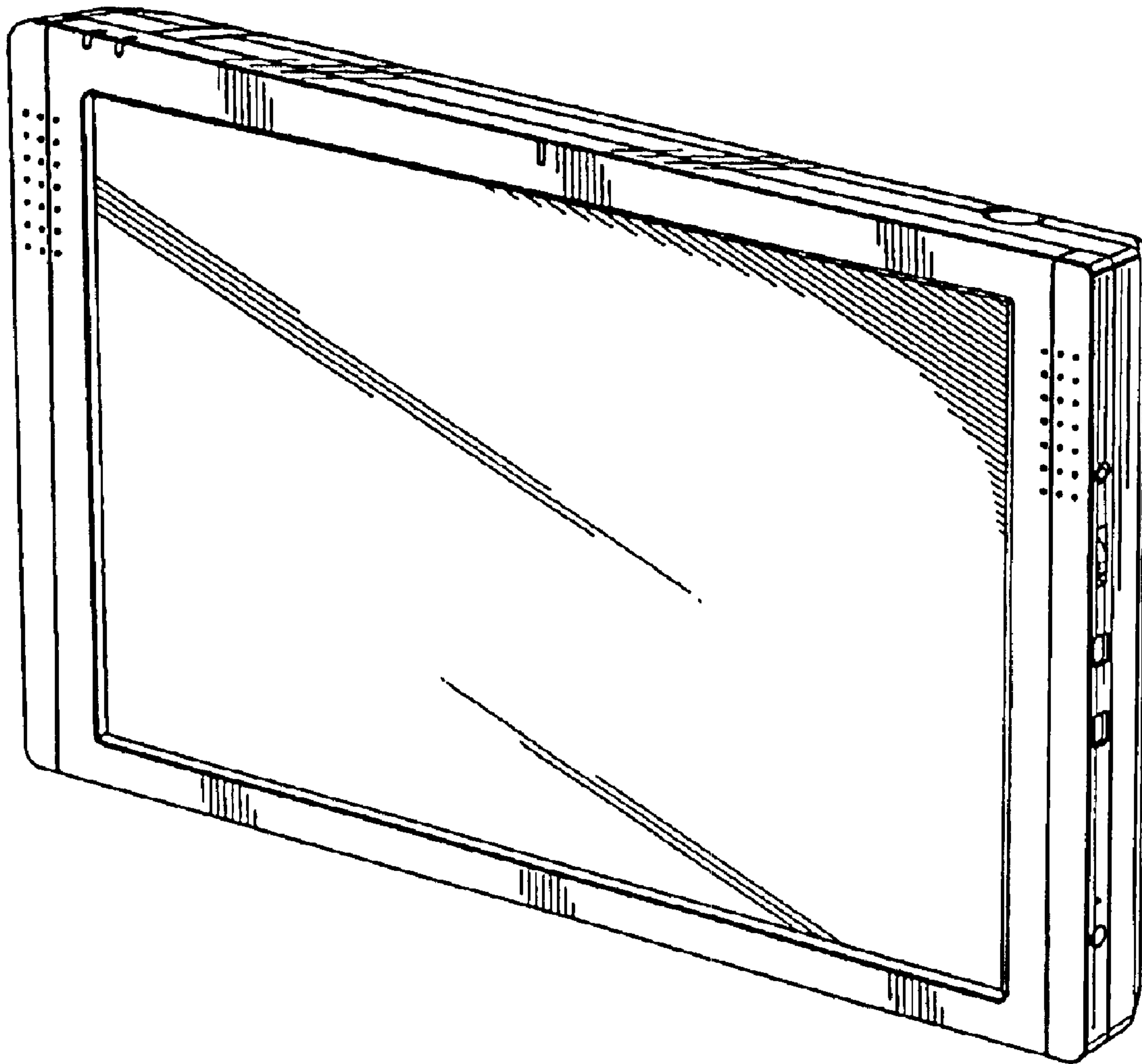


FIG. 1

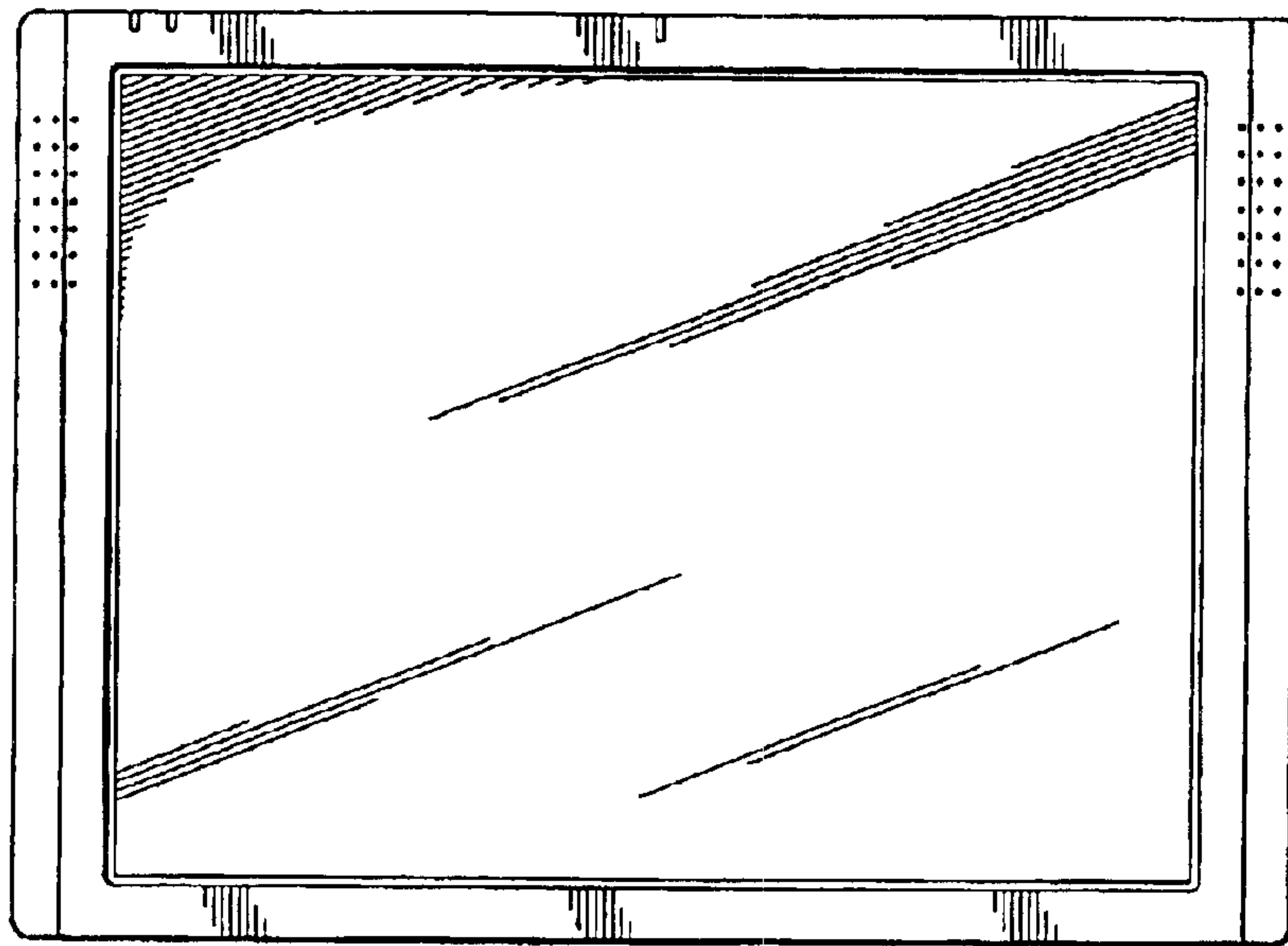


FIG. 2

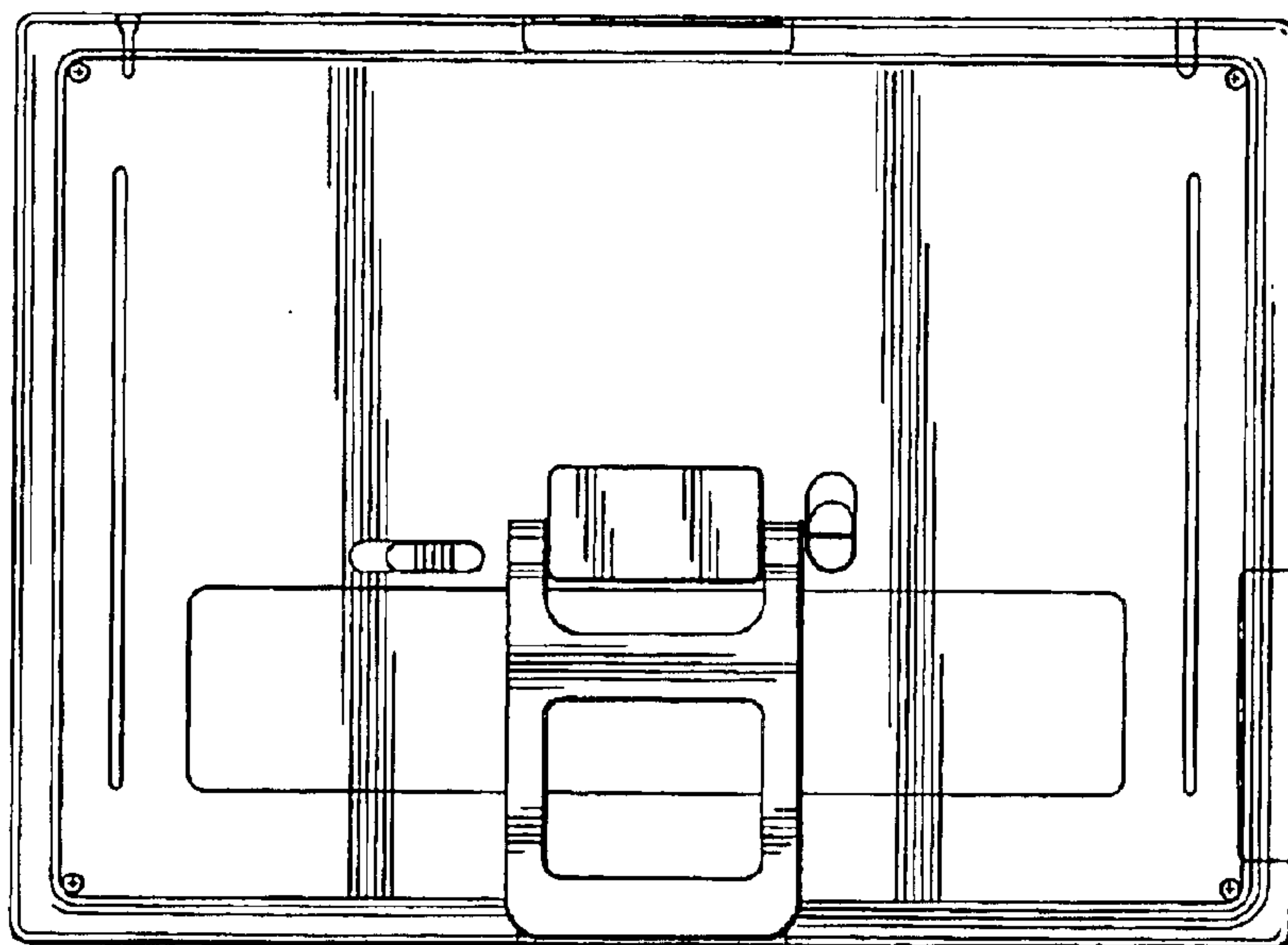


FIG. 3

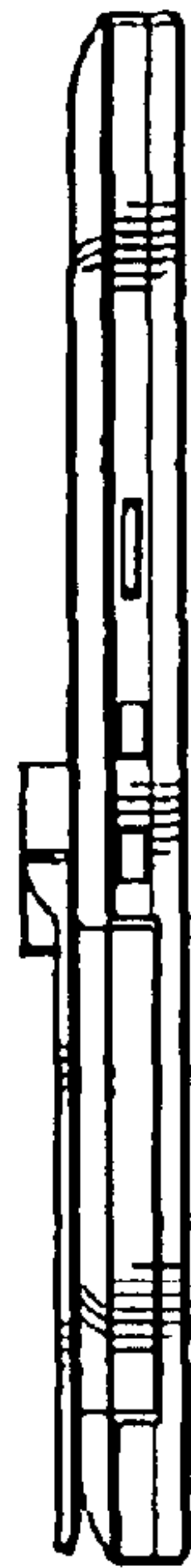


FIG. 4



FIG. 5

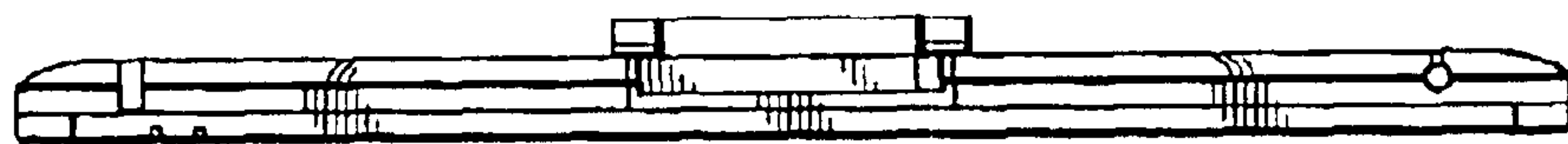


FIG. 6

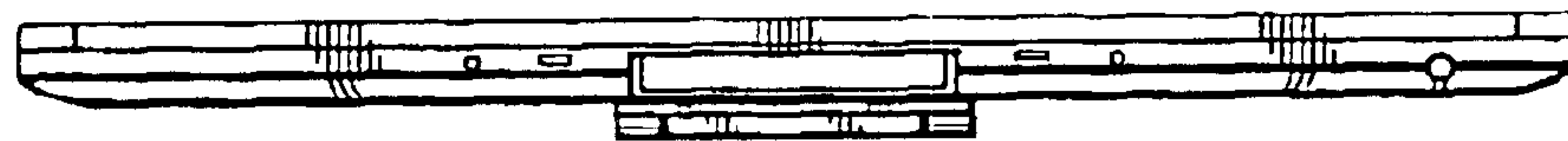


FIG. 7

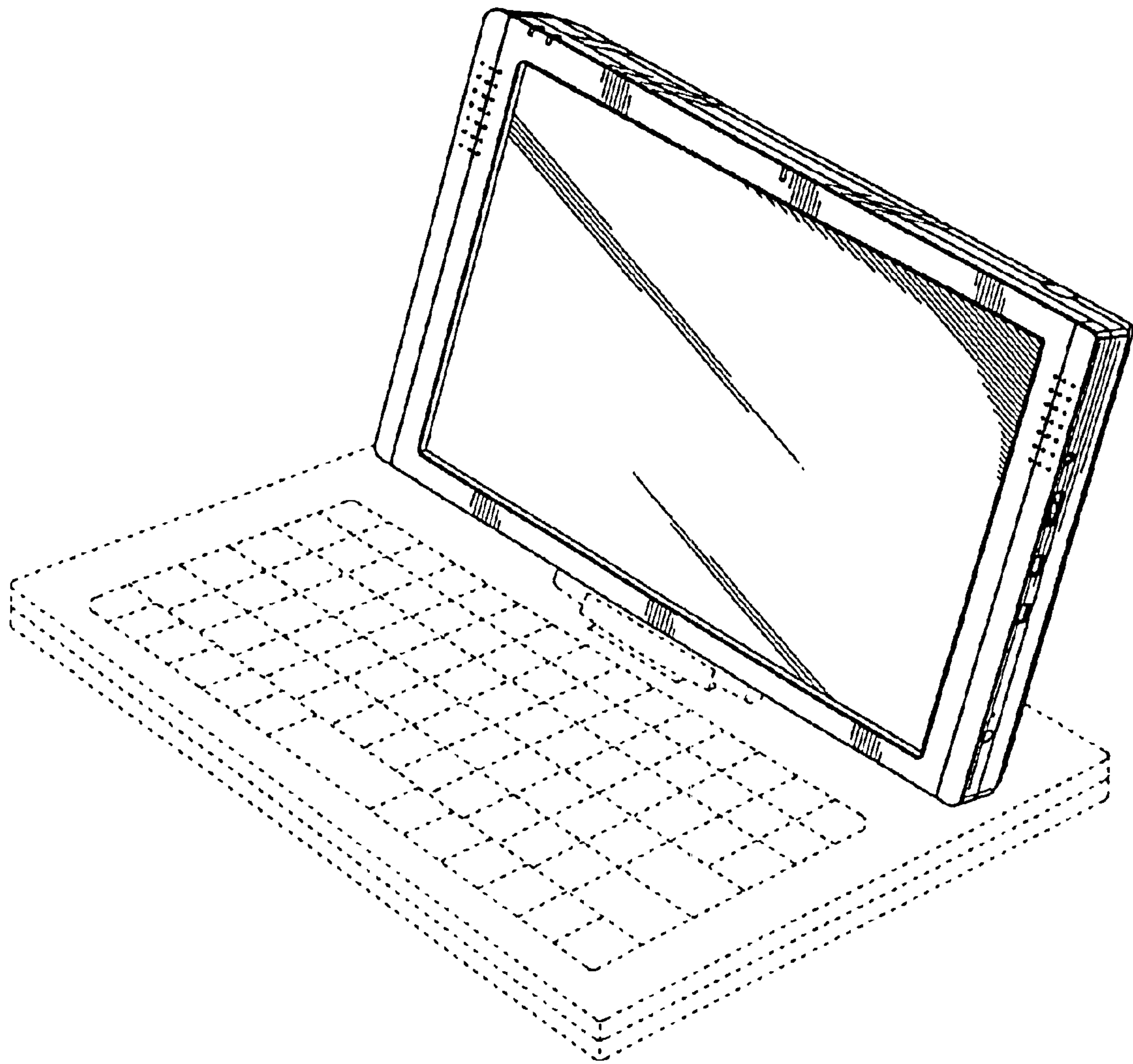


FIG. 8