

US00D497358S1

(12) **United States Design Patent**
Takeuchi et al.

(10) **Patent No.: US D497,358 S**
(45) **Date of Patent: ** Oct. 19, 2004**

(54) **SPEAKER**
(75) Inventors: **Yoshihito Takeuchi**, Kobe (JP);
Katsuhiko Taira, Osaka (JP);
Masayuki Haruta, Meguro-ku (JP)

5,444,194 A * 8/1995 Reinke 181/150
D462,067 S * 8/2002 Solland D14/215
D471,532 S * 3/2003 Solland D14/211
D484,492 S * 12/2003 Welker et al. D14/216

(73) Assignee: **Fujitsu Ten Limited**, Kobe (JP)
(**) Term: **14 Years**

FOREIGN PATENT DOCUMENTS

JP S 1111668 6/2001
JP S 1112073 6/2001
JP S 1112074 6/2001
JP S 1126626 11/2001

(21) Appl. No.: **29/191,230**
(22) Filed: **Oct. 6, 2003**

* cited by examiner

(30) **Foreign Application Priority Data**

Primary Examiner—Nanda Bondade
(74) *Attorney, Agent, or Firm*—Oliffe & Berridge, PLC

Jul. 15, 2003 (JP) 2003-020447

(57) **CLAIM**

(51) **LOC (7) Cl.** **14-01**
(52) **U.S. Cl.** **D14/211; D14/216; D14/215**
(58) **Field of Search** D14/204, 207,
D14/209–216, 356; 181/143–144, 147–148,
150, 157, 198–199, 151, 153; 381/300–302,
306, 333, 345, 361–364, 386–388, 332,
336

The ornamental design for a speaker, as shown and described.

(56) **References Cited**

DESCRIPTION

U.S. PATENT DOCUMENTS

2,881,850 A * 4/1959 Bonn 181/153
D186,892 S * 12/1959 Wilber D14/211
D222,072 S * 9/1971 Levitt D14/211

FIG. 1 is a perspective view of the front, top and right side of a speaker showing our new design;
FIG. 2 is a front view thereof;
FIG. 3 is a top plan view thereof;
FIG. 4 is a right side view thereof;
FIG. 5 is a rear view thereof; and,
FIG. 6 is a bottom view.

1 Claim, 3 Drawing Sheets

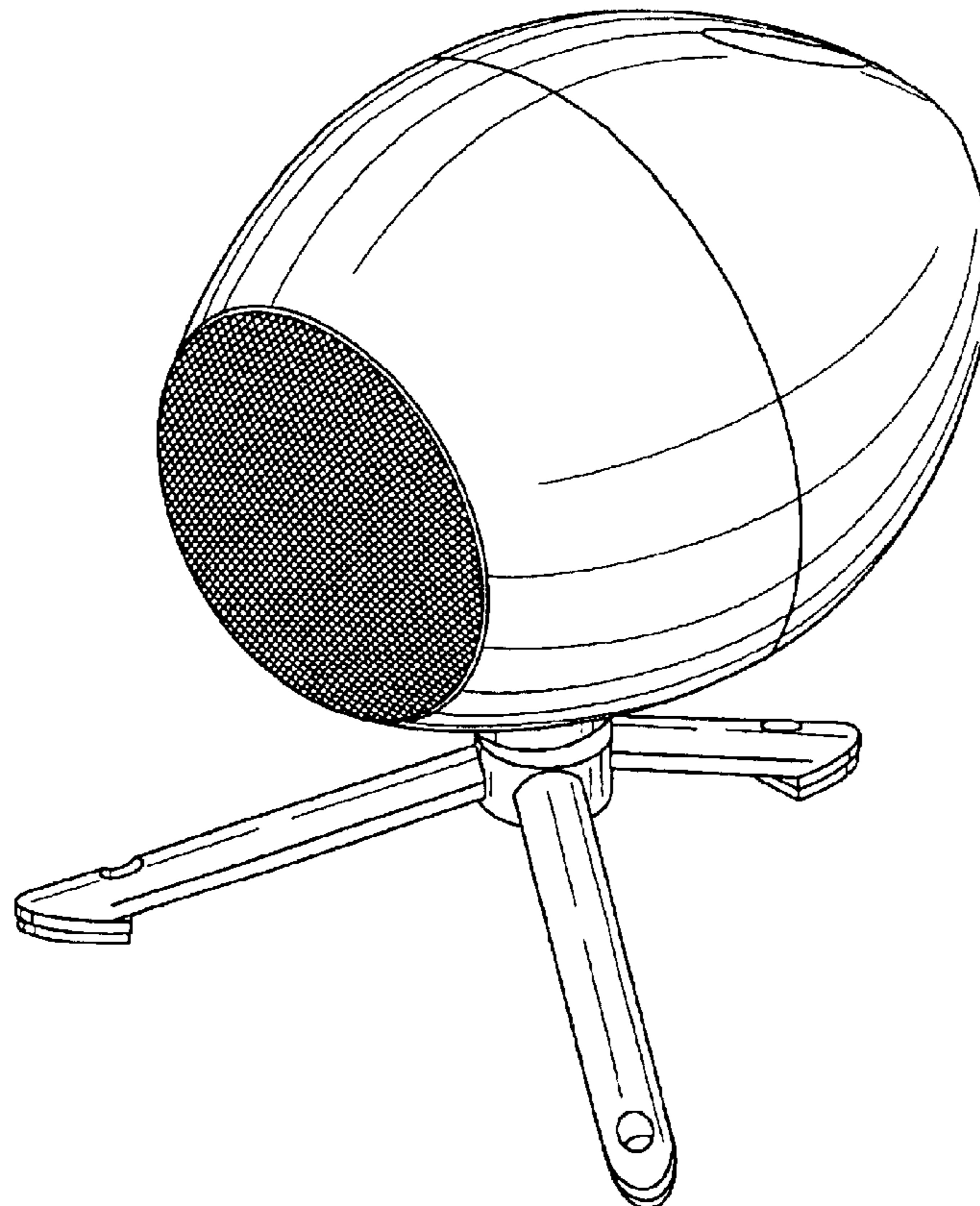


FIG. 1

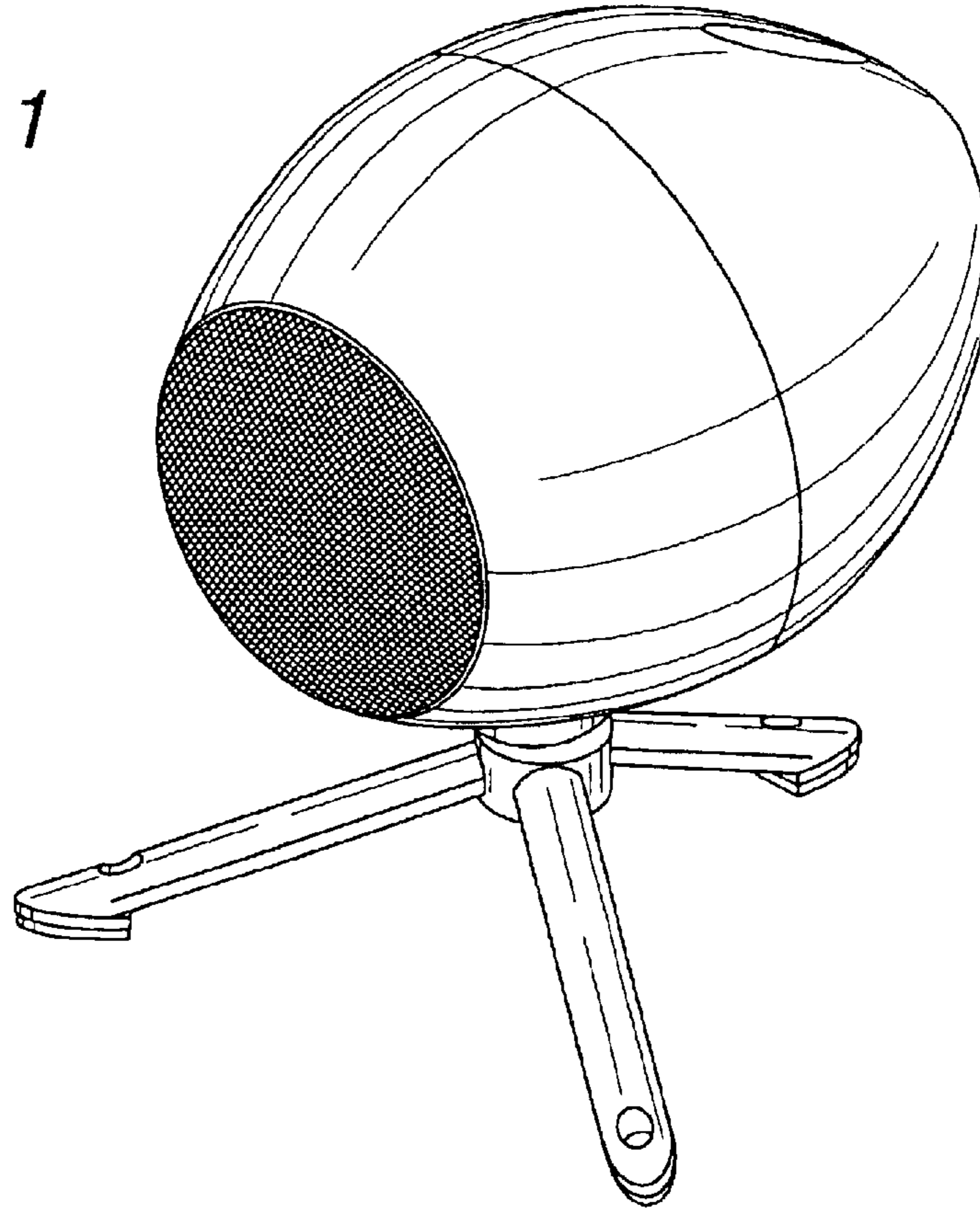


FIG. 2

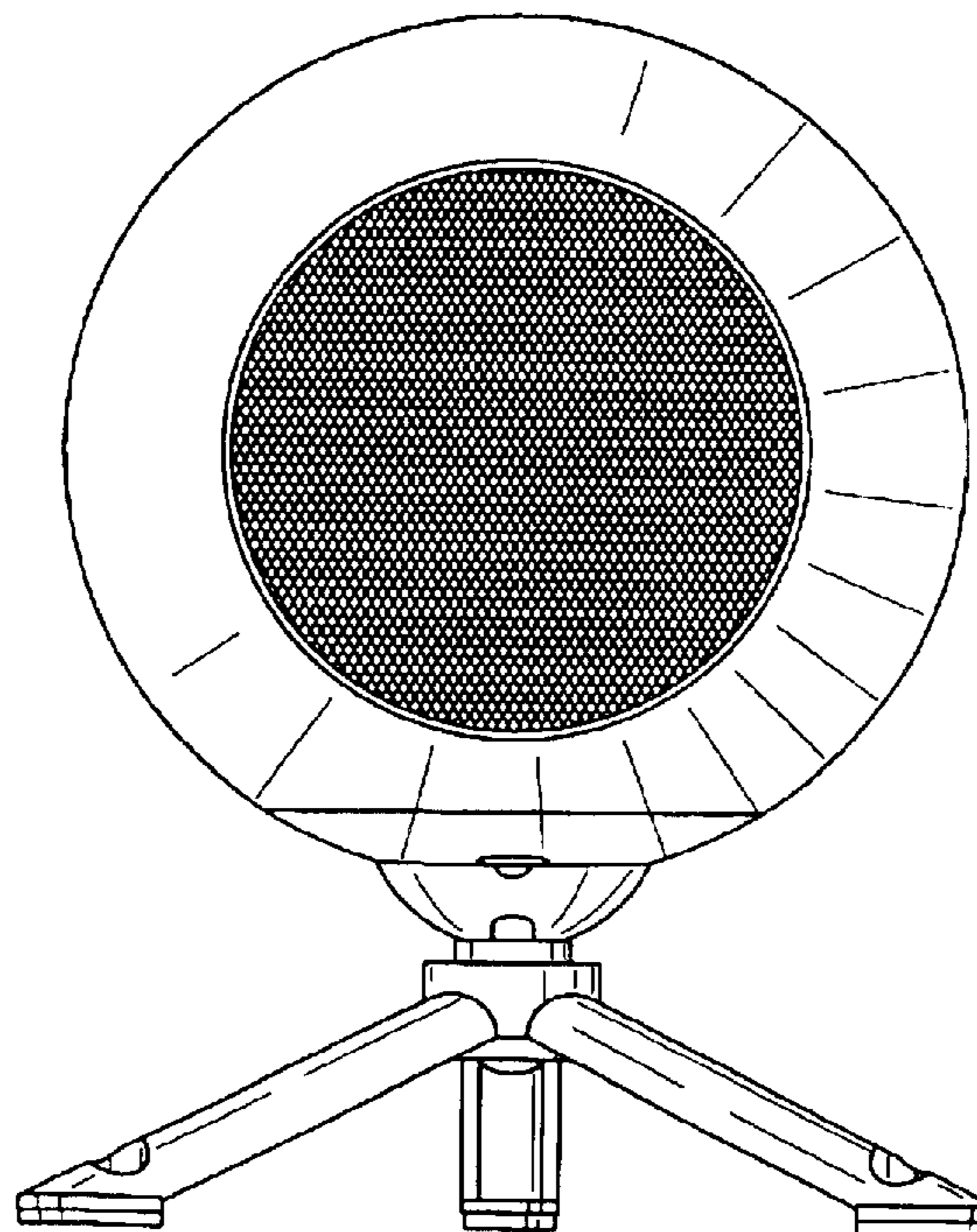


FIG. 3

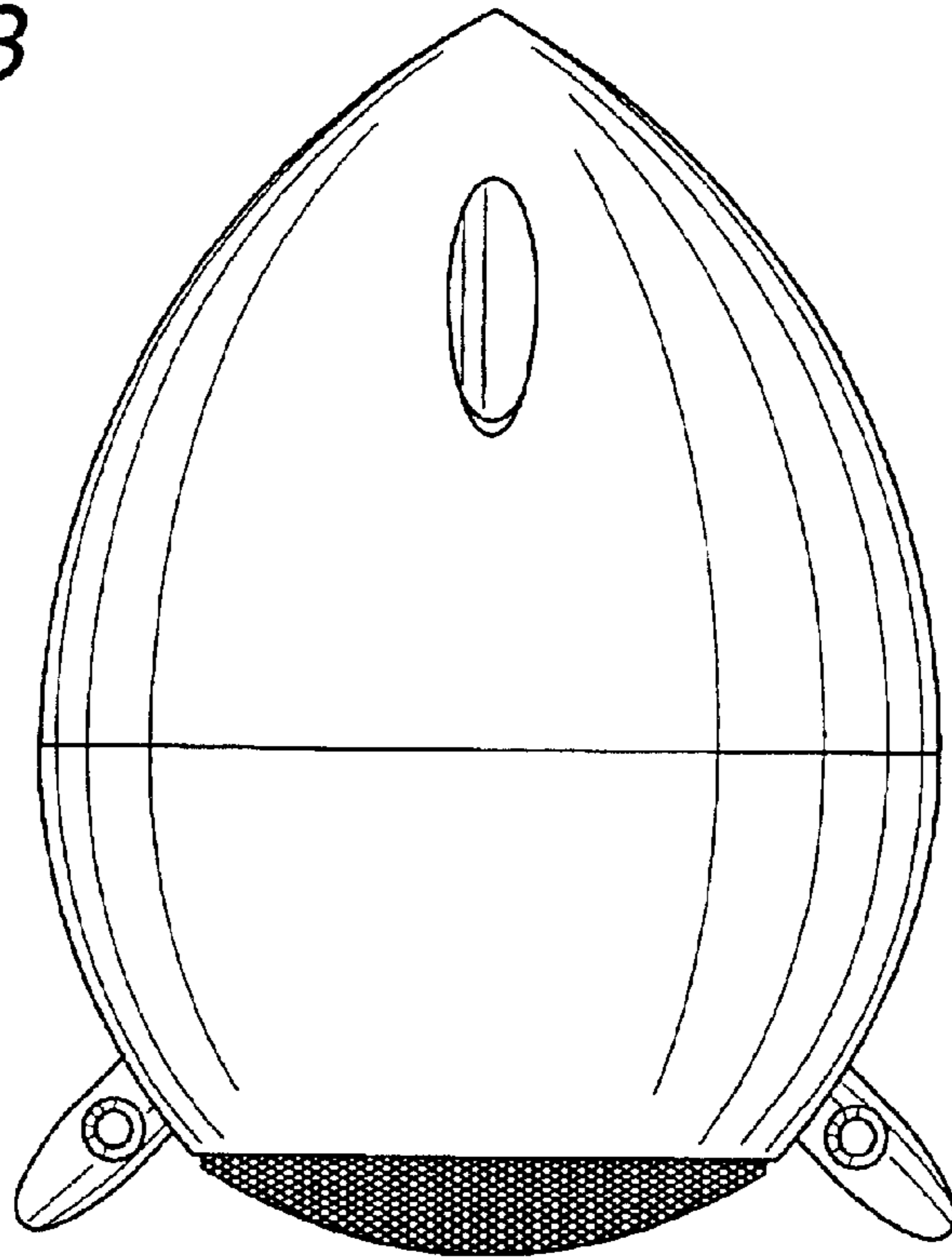


FIG. 4

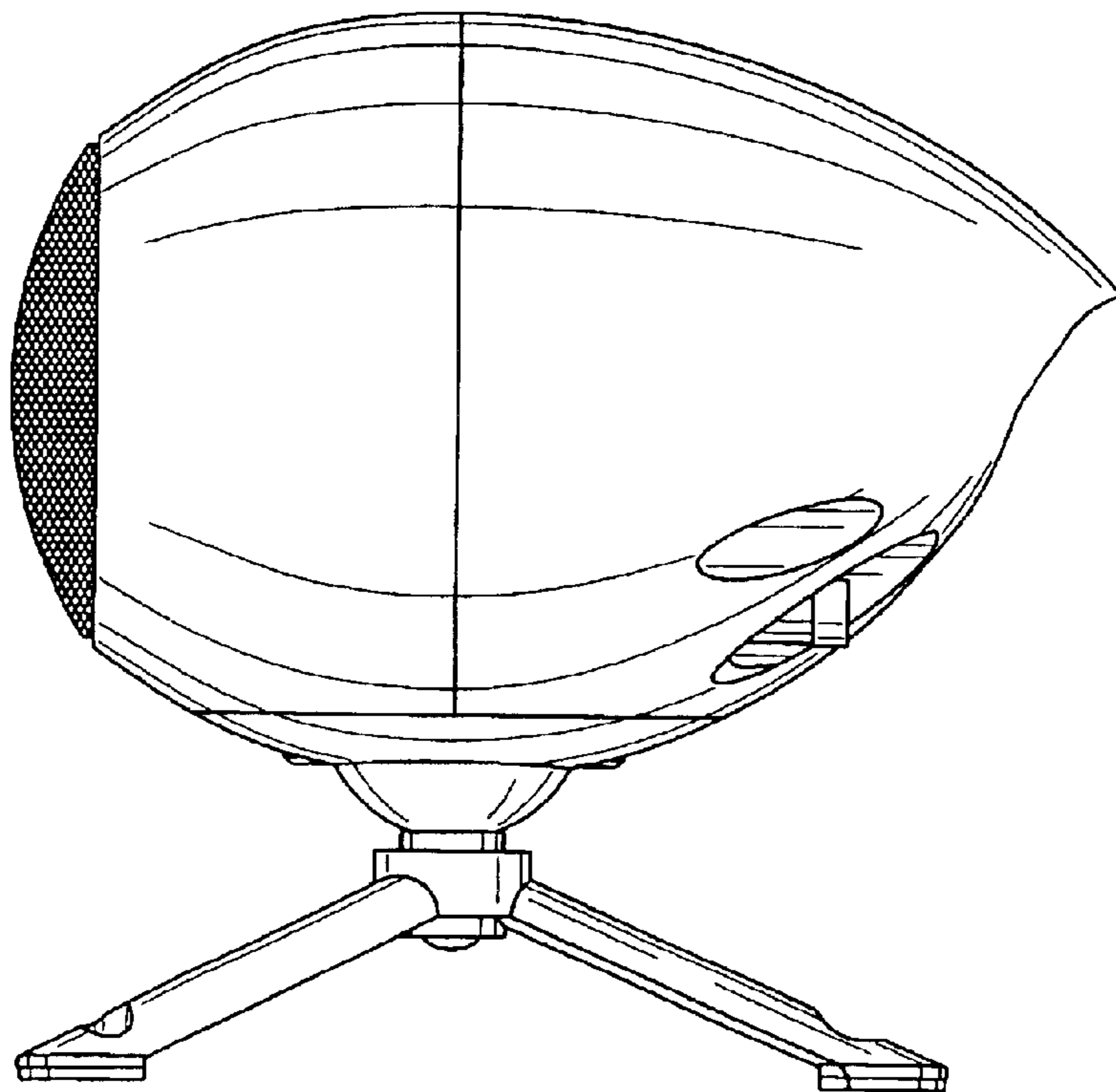


FIG. 5

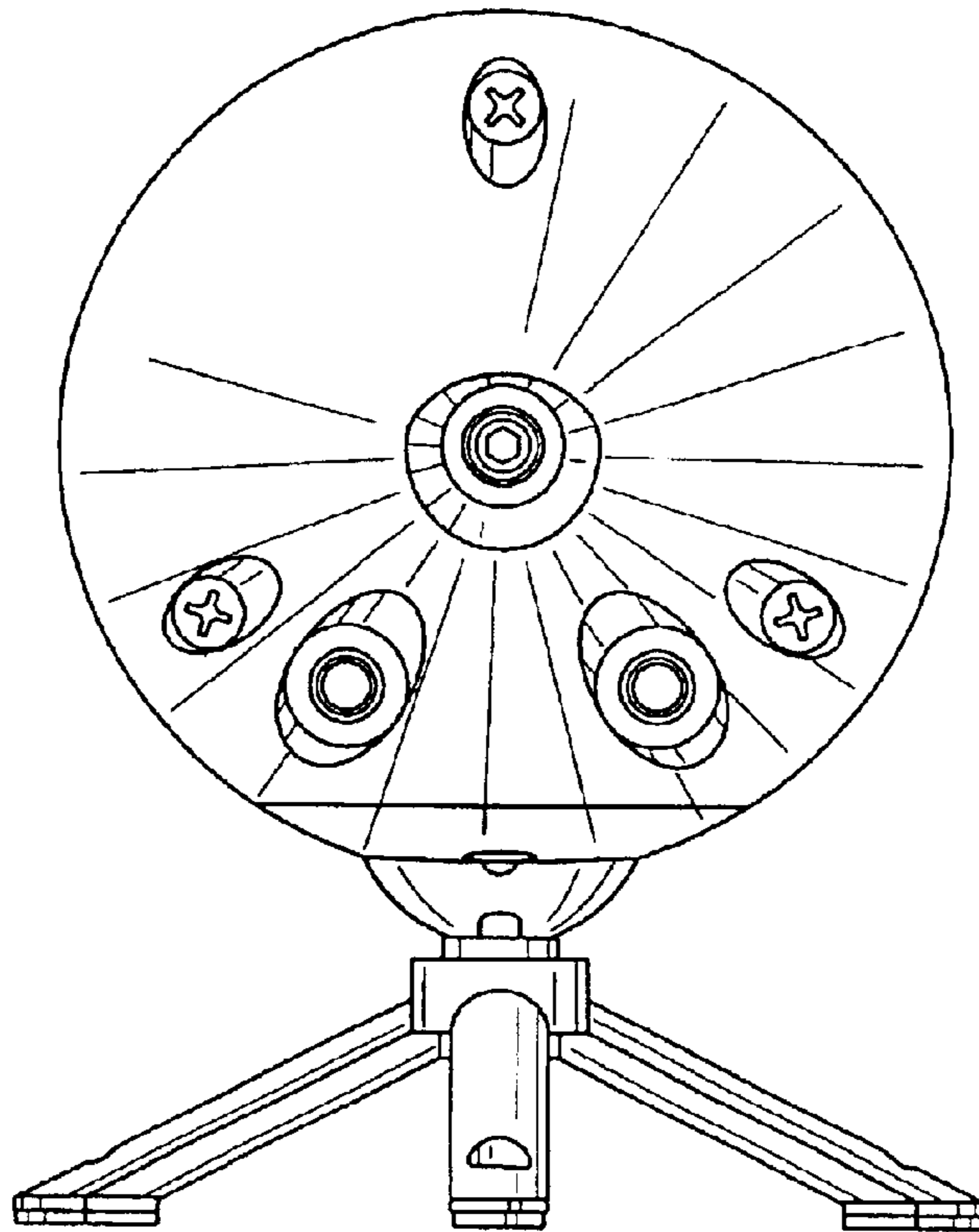


FIG. 6

