

US00D497355S1

(12) **United States Design Patent**
Bhavnani

(10) **Patent No.:** **US D497,355 S**

(45) **Date of Patent:** **** Oct. 19, 2004**

(54) **RADIO**

D436,094 S * 1/2001 Yamada D14/195
6,374,091 B1 * 4/2002 Richards et al. 455/90.1
D473,857 S * 4/2003 Bhavnani D14/197

(75) **Inventor:** **Dilip Bhavnani**, Beverly Hills, CA
(US)

* cited by examiner

(73) **Assignee:** **Sun Coast Merchandise Corp.**,
Commerce, CA (US)

Primary Examiner—Prabhakar Deshmukh
(74) *Attorney, Agent, or Firm*—Brian Carpenter

(**) **Term:** **14 Years**

(57) **CLAIM**

(21) **Appl. No.:** **29/196,608**

The ornamental design for a radio, as shown and described.

(22) **Filed:** **Dec. 30, 2003**

DESCRIPTION

(51) **LOC (7) Cl.** **14-03**

(52) **U.S. Cl.** **D14/194; D14/188**

(58) **Field of Search** D14/192–198,
D14/188, 204, 168, 230; 455/344–351,
575.1, 90.1

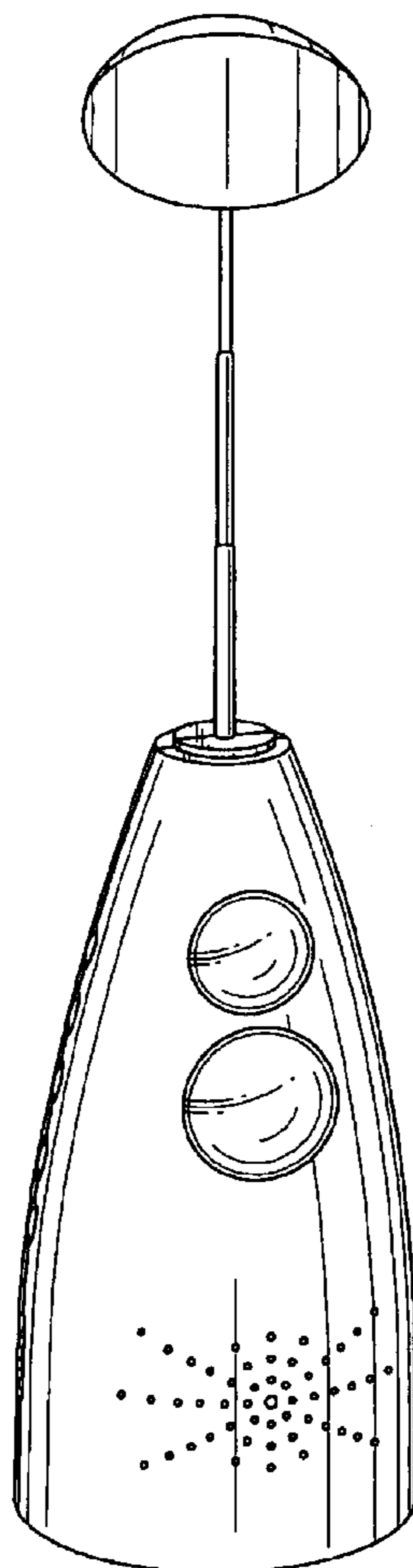
FIG. 1 is a perspective view of a radio;
FIG. 2 is a front plan view of the radio of FIG. 1;
FIG. 3 is a left side elevational view of the radio of FIG. 1;
FIG. 4 is a right side elevational view of the radio of FIG. 1;
FIG. 5 is a top side elevational view of the radio of FIG. 1;
FIG. 6 is a bottom elevational view of the radio of FIG. 1;
FIG. 7 is a rear plan view of the radio of FIG. 1; and,
FIG. 8 is a perspective view of the radio in FIG. 1 with the
antenna extended.

(56) **References Cited**

U.S. PATENT DOCUMENTS

D396,721 S * 8/1998 Naganoma et al. D14/195
D404,034 S * 1/1999 Bhavnani D14/194
6,141,540 A * 10/2000 Richards et al. 455/575.3

1 Claim, 3 Drawing Sheets



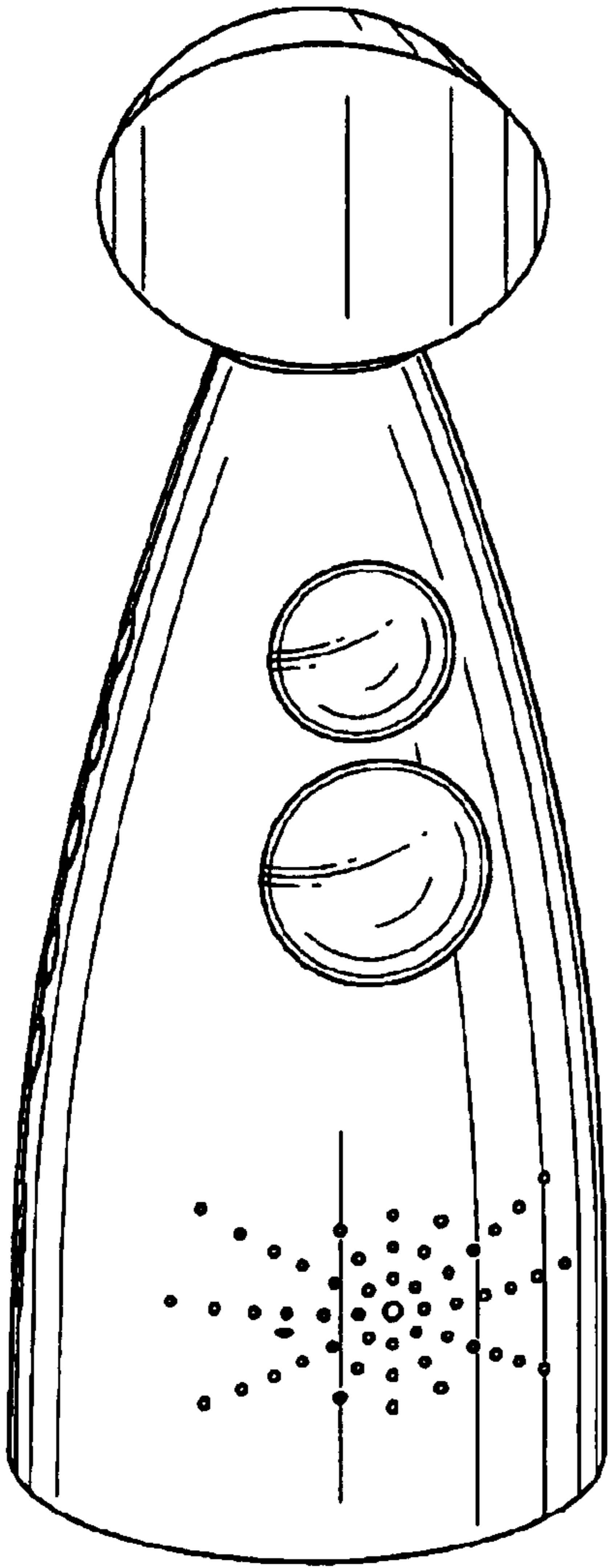


FIG. 1

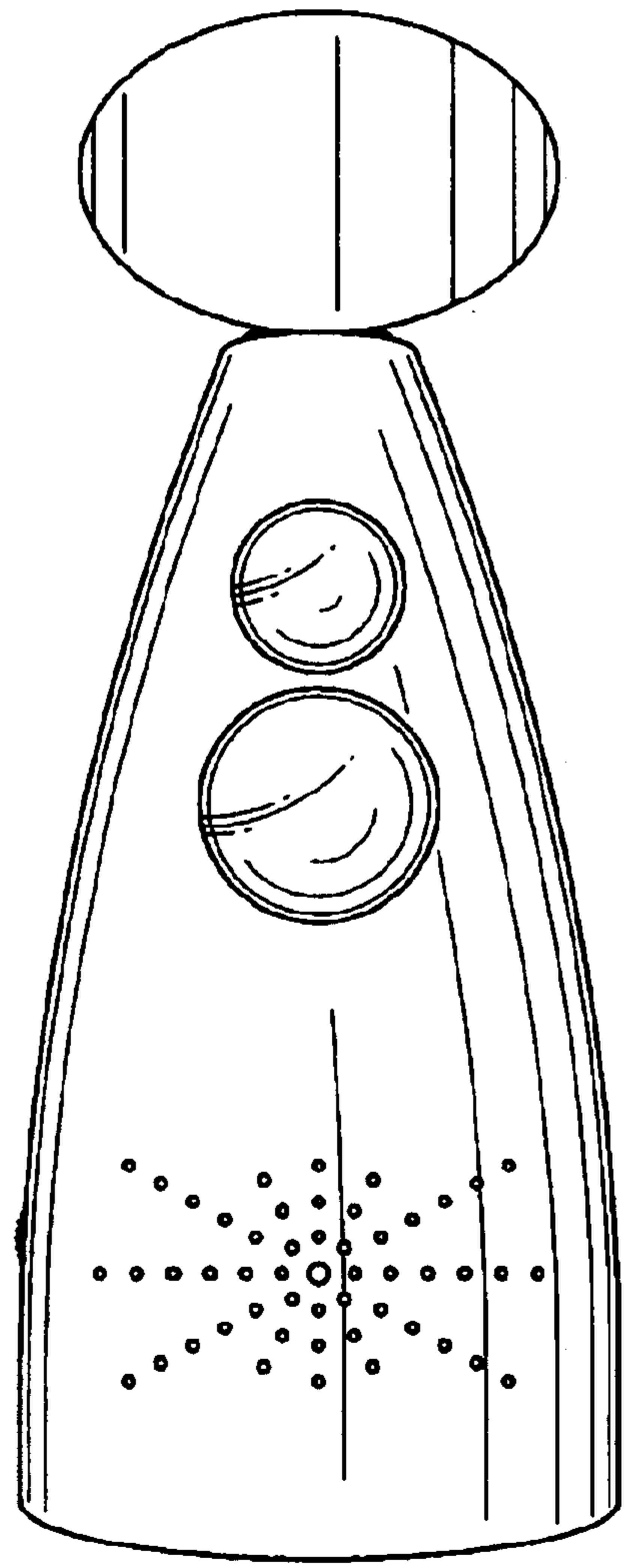


FIG. 2

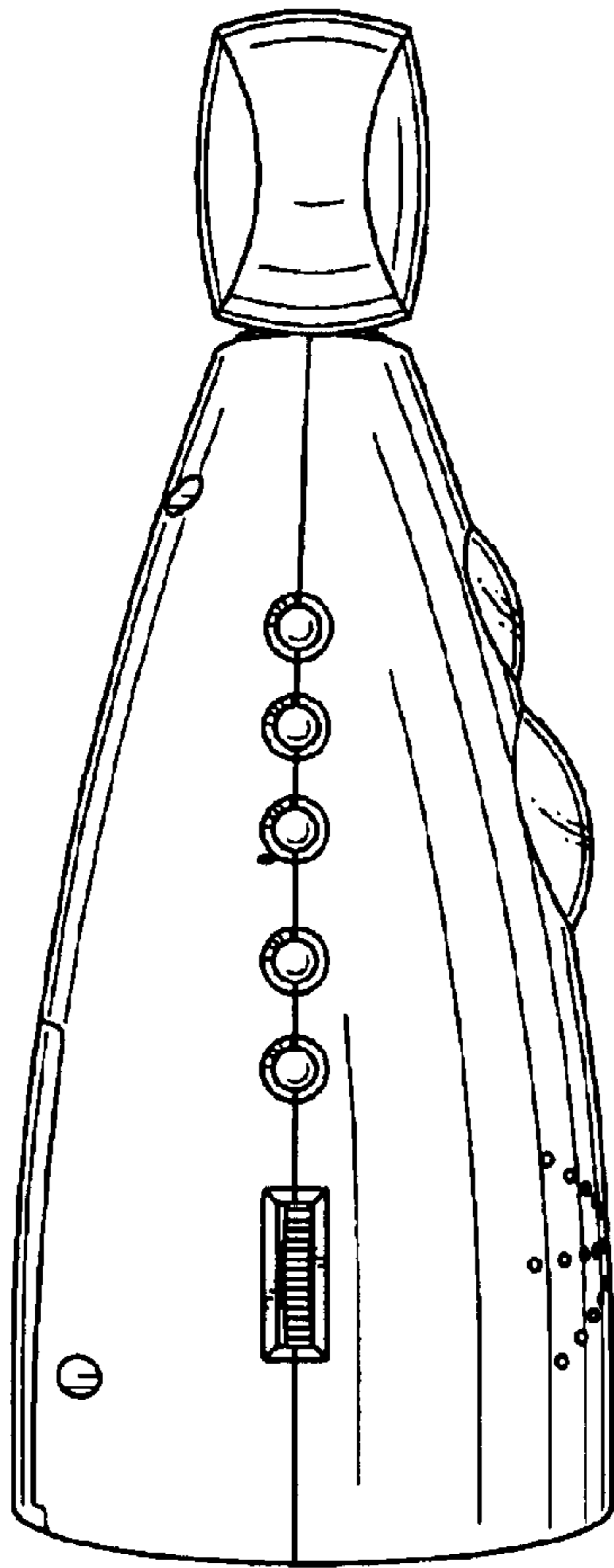


FIG. 3

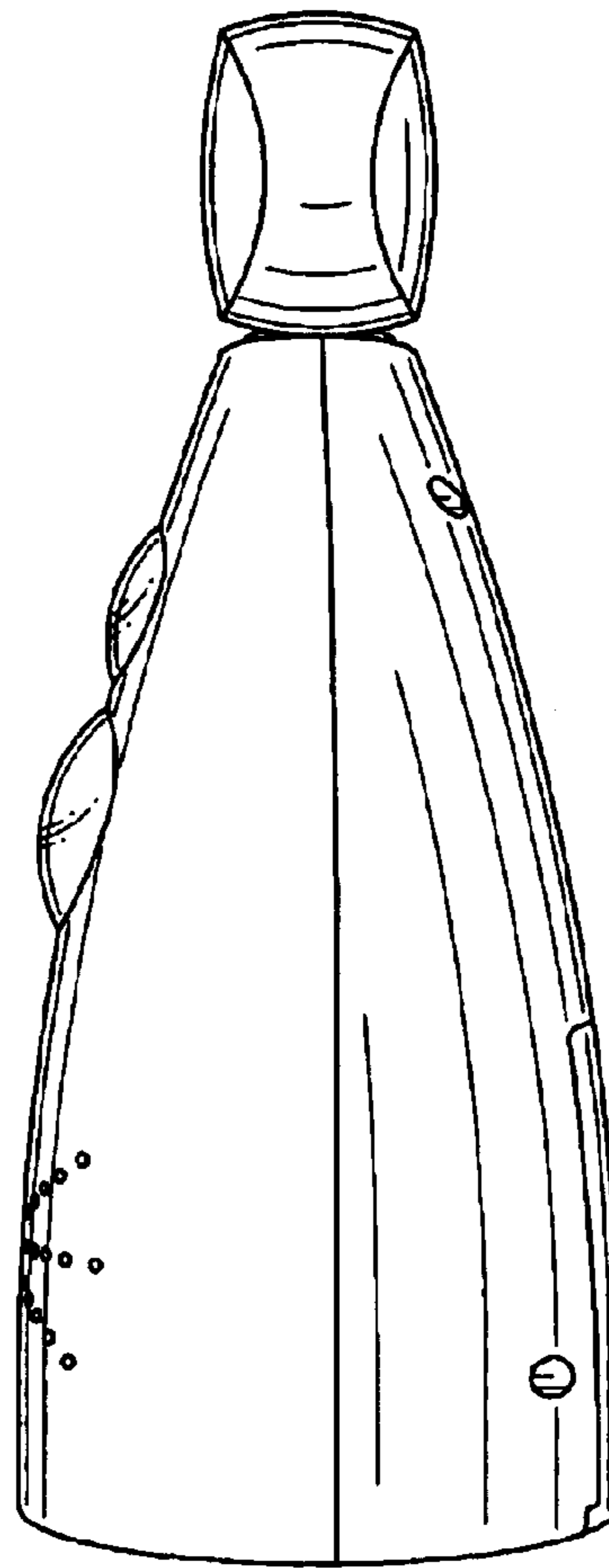


FIG. 4

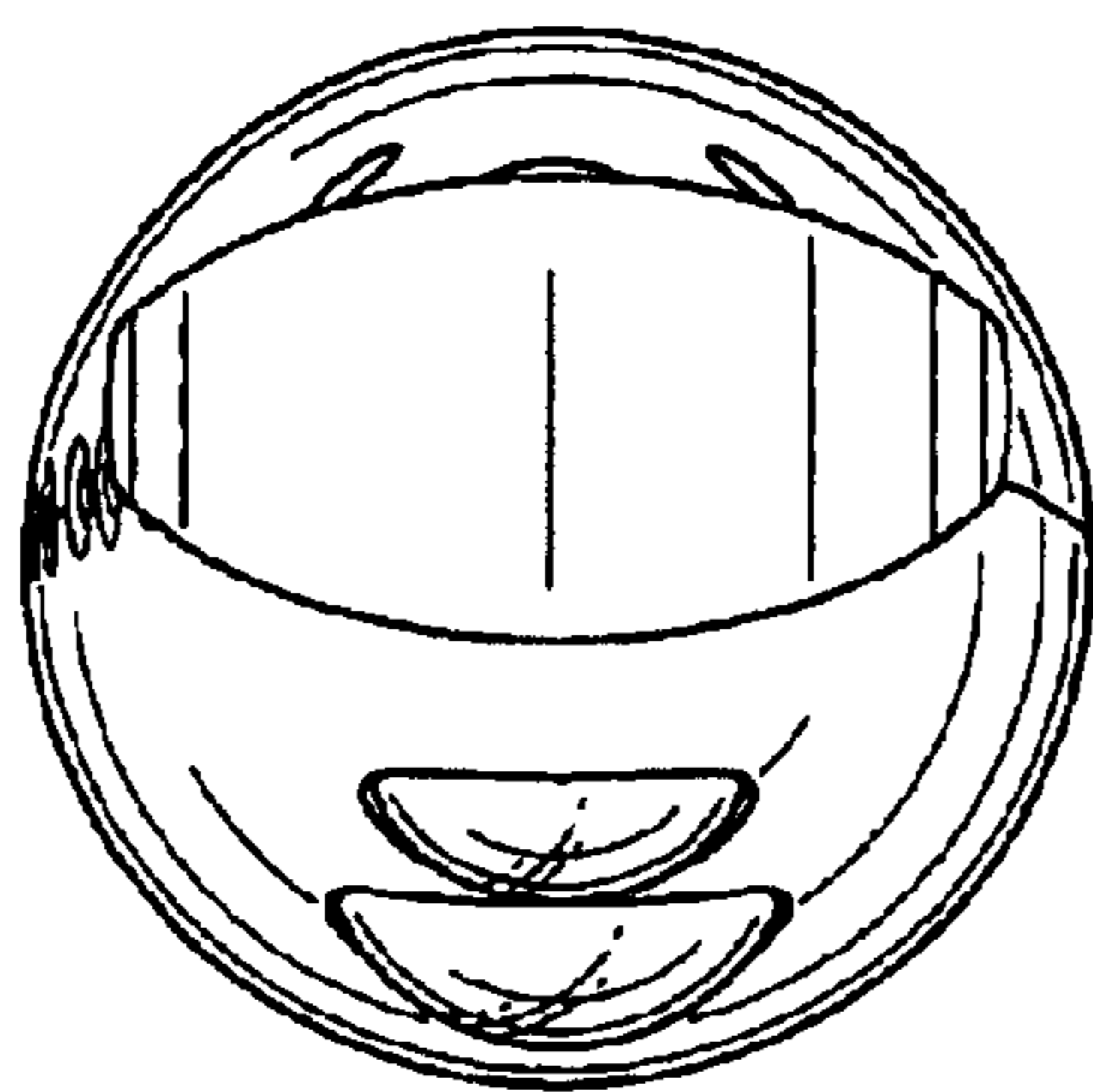


FIG. 5

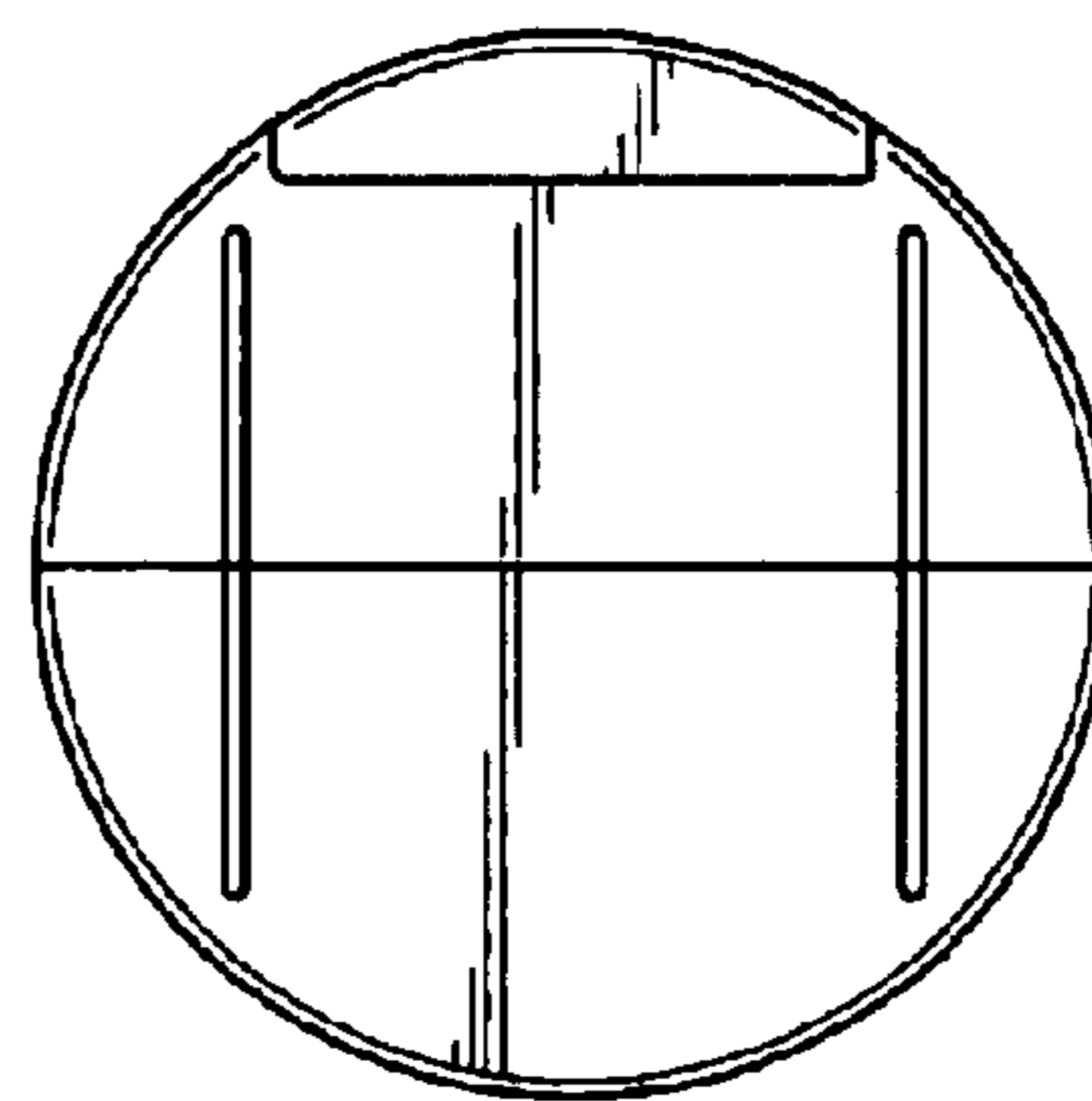


FIG. 6

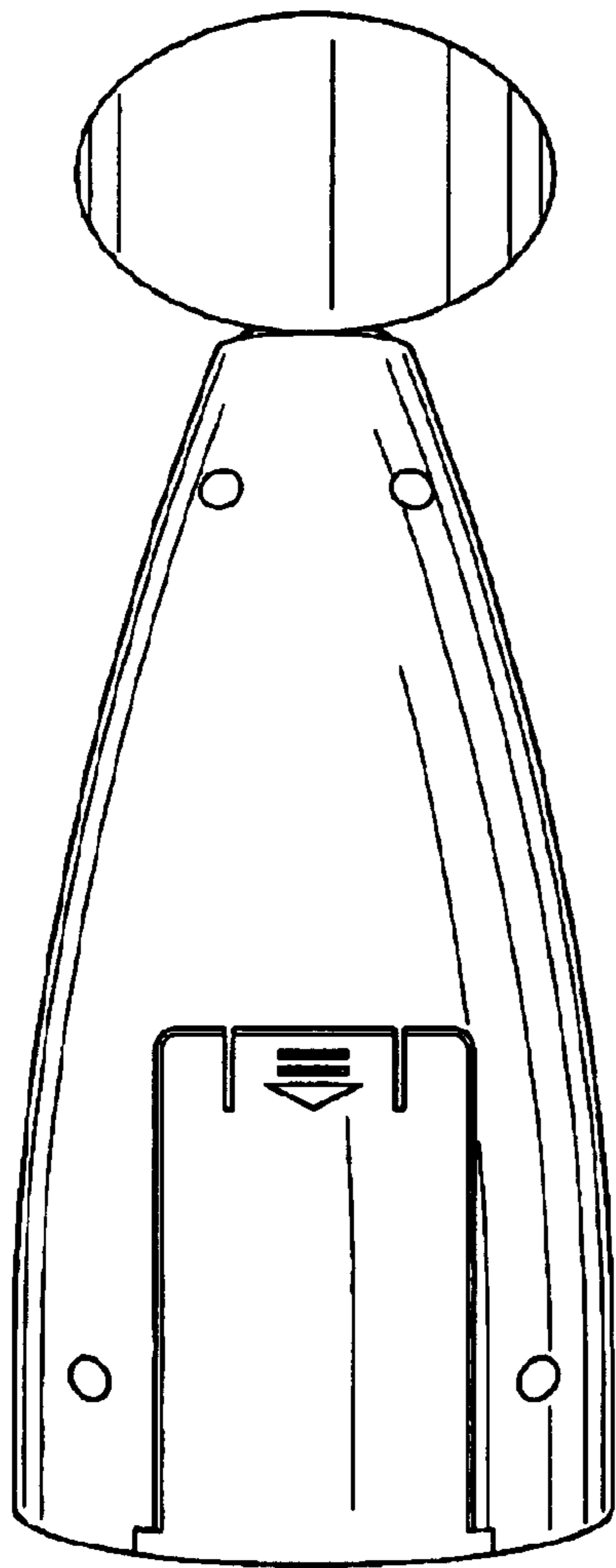


FIG. 7

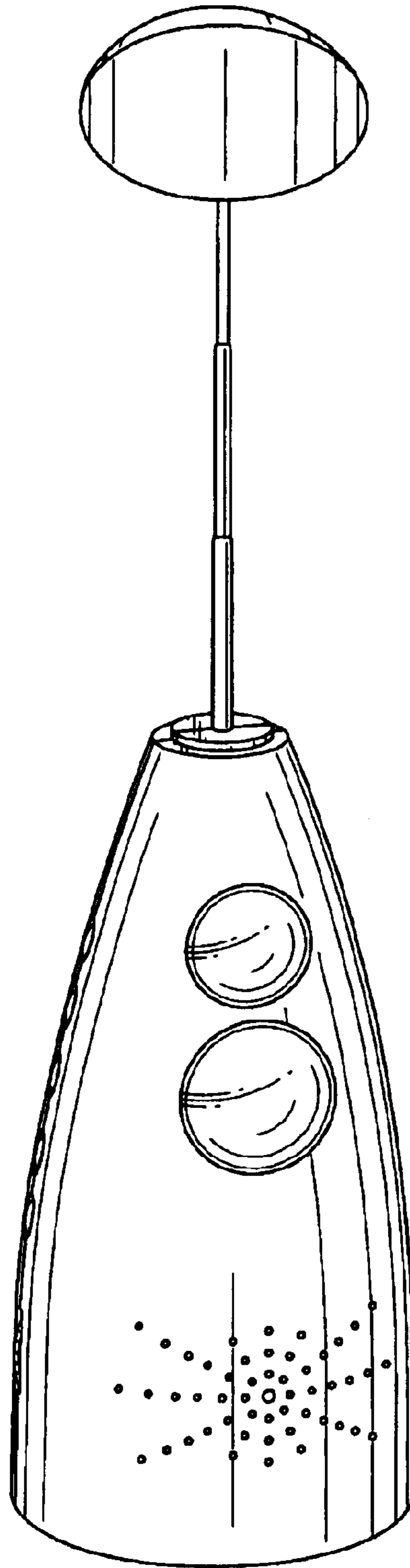


FIG. 8