

US00D497351S1

(12) **United States Design Patent**
Kita

(10) **Patent No.:** **US D497,351 S**
(45) **Date of Patent:** **** Oct. 19, 2004**

- (54) **TELEVISION SET**
- (75) **Inventor:** **Toshiyuki Kita**, Osaka-fu (JP)
- (73) **Assignee:** **Sharp Kabushiki Kaisha**, Osaka (JP)
- (**) **Term:** **14 Years**
- (21) **Appl. No.:** **29/185,402**
- (22) **Filed:** **Jun. 27, 2003**
- (30) **Foreign Application Priority Data**
Dec. 27, 2002 (JP) 2002-036617
- (51) **LOC (7) Cl.** **14-03**
- (52) **U.S. Cl.** **D14/126; D14/134**
- (58) **Field of Search** D14/125–136,
D14/239, 371, 374–375; D21/515; 312/7.2;
348/836, 838, 180, 184, 325, 739; 345/905,
194, 153, 168, 87, 173; 248/917–924; 341/12

- D482,339 S * 11/2003 Yin et al. D14/134
- D486,131 S * 2/2004 Otsuka D14/126
- D489,339 S * 5/2004 Esslinger et al. D14/126

* cited by examiner

Primary Examiner—Raphael Barkai
(74) *Attorney, Agent, or Firm*—Nixon & Vanderhye

(57) **CLAIM**

The ornamental design for a “television set,” as shown and described.

DESCRIPTION

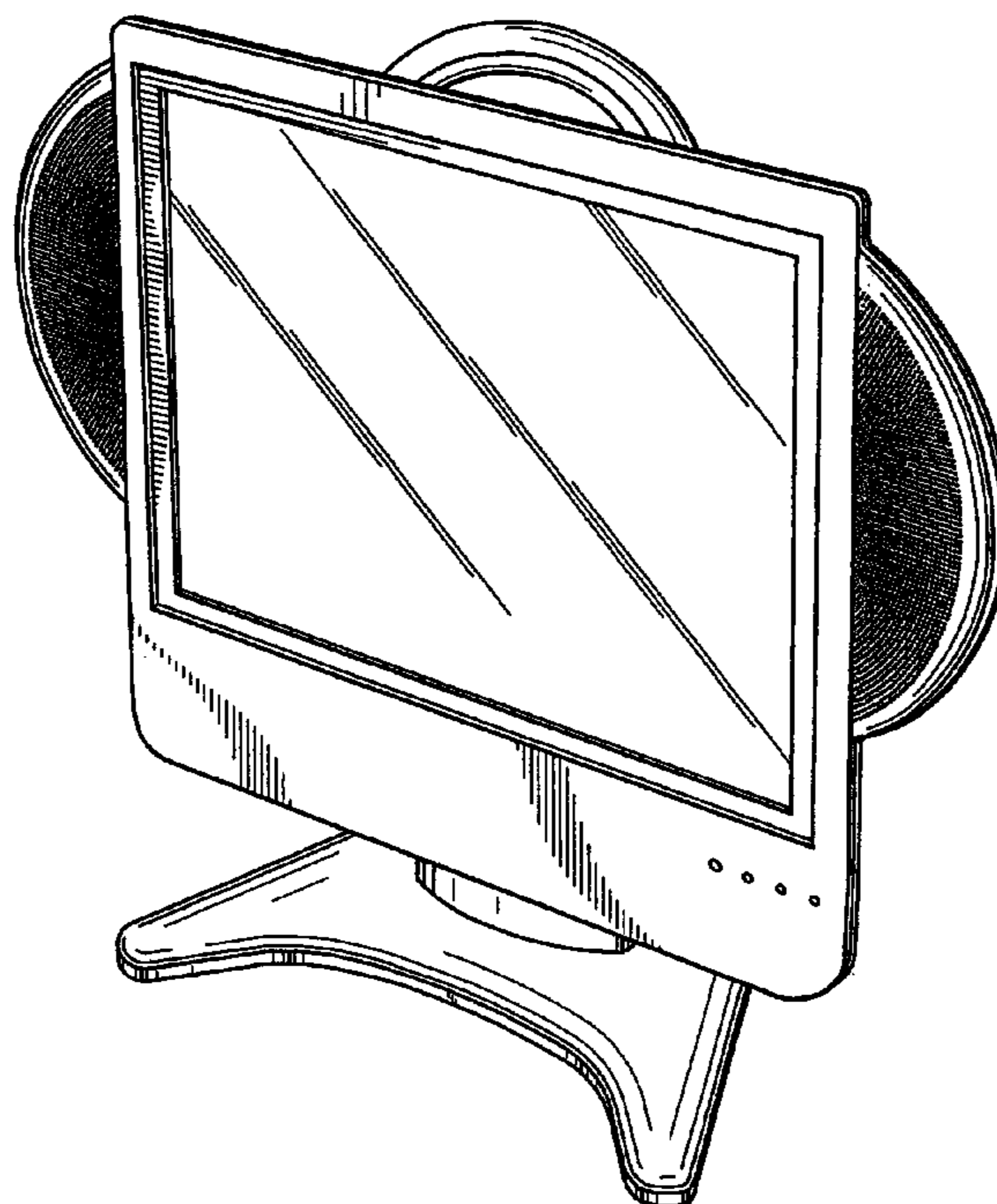
FIG. 1 is a top, front and right side perspective view of a television set according to my design;
 FIG. 2 is a front elevational view thereof;
 FIG. 3 is a rear elevational view thereof;
 FIG. 4 is a top plan view thereof;
 FIG. 5 is a bottom plan view thereof;
 FIG. 6 is a left side elevational view thereof;
 FIG. 7 is a right side elevational view thereof;
 FIG. 8 is a top, rear and right side perspective view without the desktop stand and in a position supported in part by a rear leg;
 FIG. 9 is a front elevational view of the embodiment hereof illustrated in FIG. 8, as viewed perpendicular to the television set screen;
 FIG. 10 is a rear elevational view thereof;
 FIG. 11 is a top plan view thereof;
 FIG. 12 is a bottom plan view thereof;
 FIG. 13 is a left side elevational view thereof; and,
 FIG. 14 is a right side elevational view thereof.

(56) **References Cited**

U.S. PATENT DOCUMENTS

- D321,346 S * 11/1991 Sugiyama D14/129
- D392,628 S * 3/1998 Hayashi D14/374
- D427,169 S 6/2000 Saeki et al.
- D429,227 S 8/2000 Shimizu
- D431,537 S 10/2000 Saeki et al.
- D438,848 S 3/2001 Kita
- D439,224 S 3/2001 Kita
- D439,225 S 3/2001 Kita
- D453,747 S 2/2002 Kita
- D453,748 S 2/2002 Kita
- D456,370 S 4/2002 Kita
- D458,910 S 6/2002 Kita

1 Claim, 12 Drawing Sheets



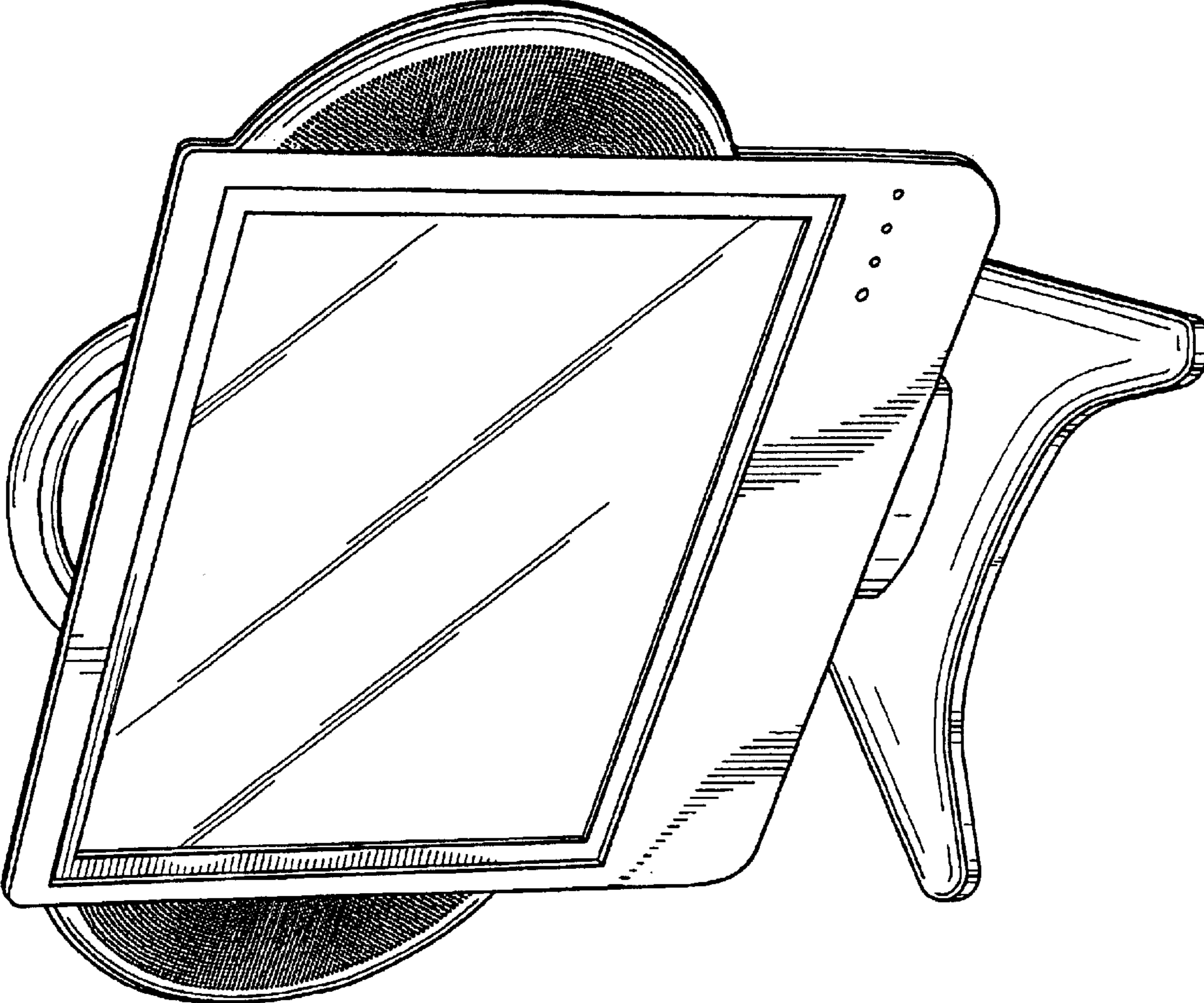


Fig.1

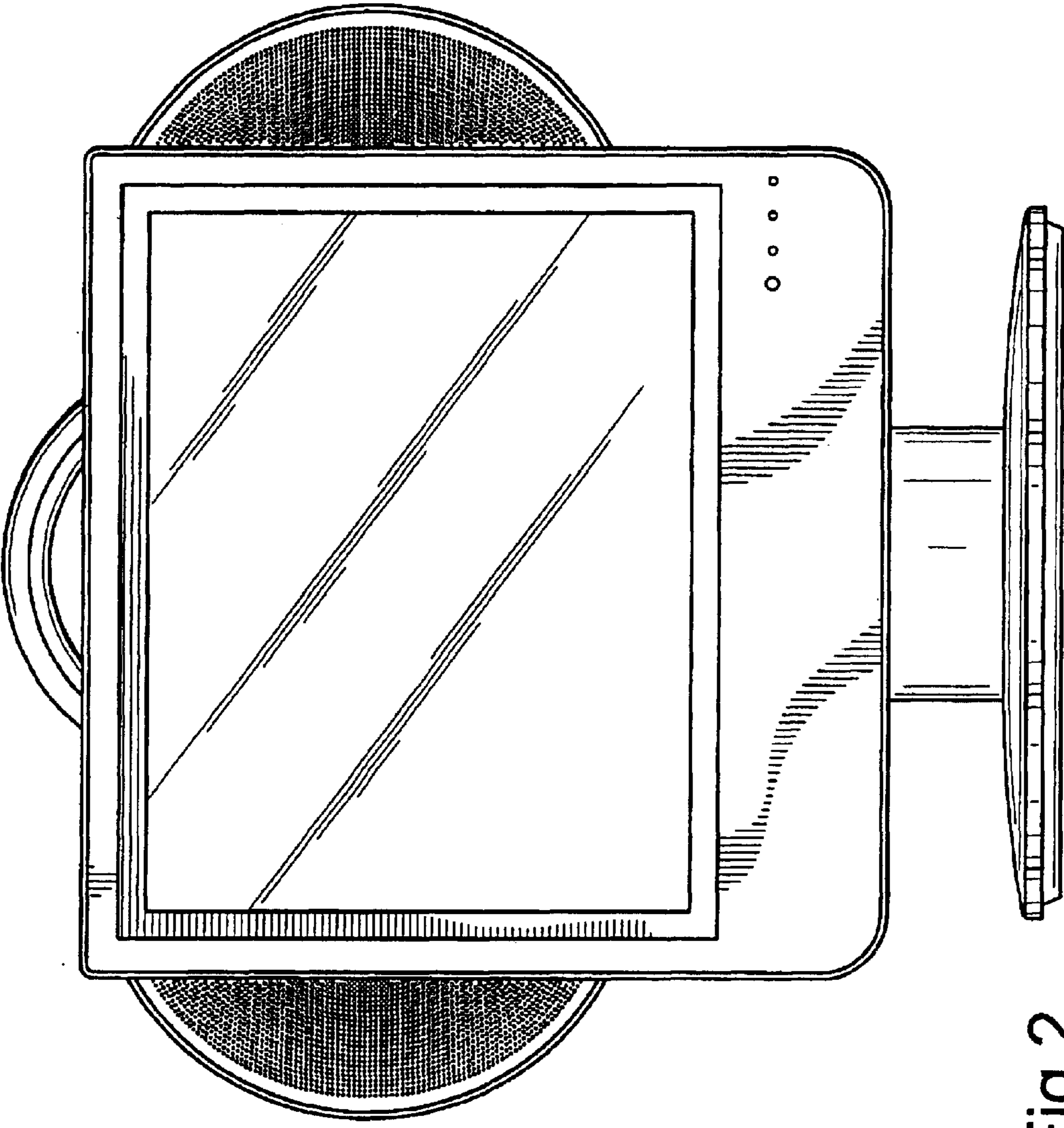


Fig.2

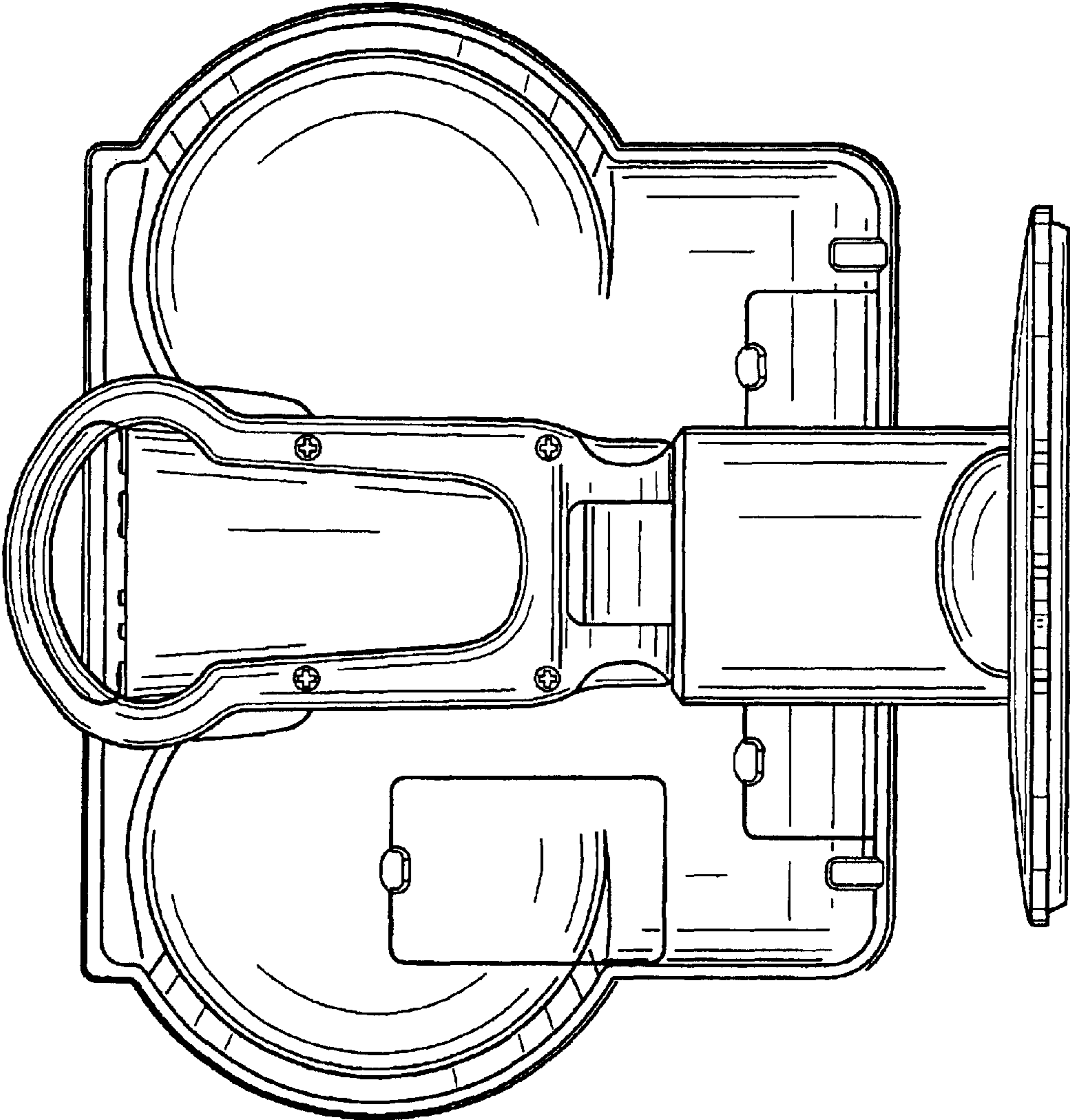


Fig.3

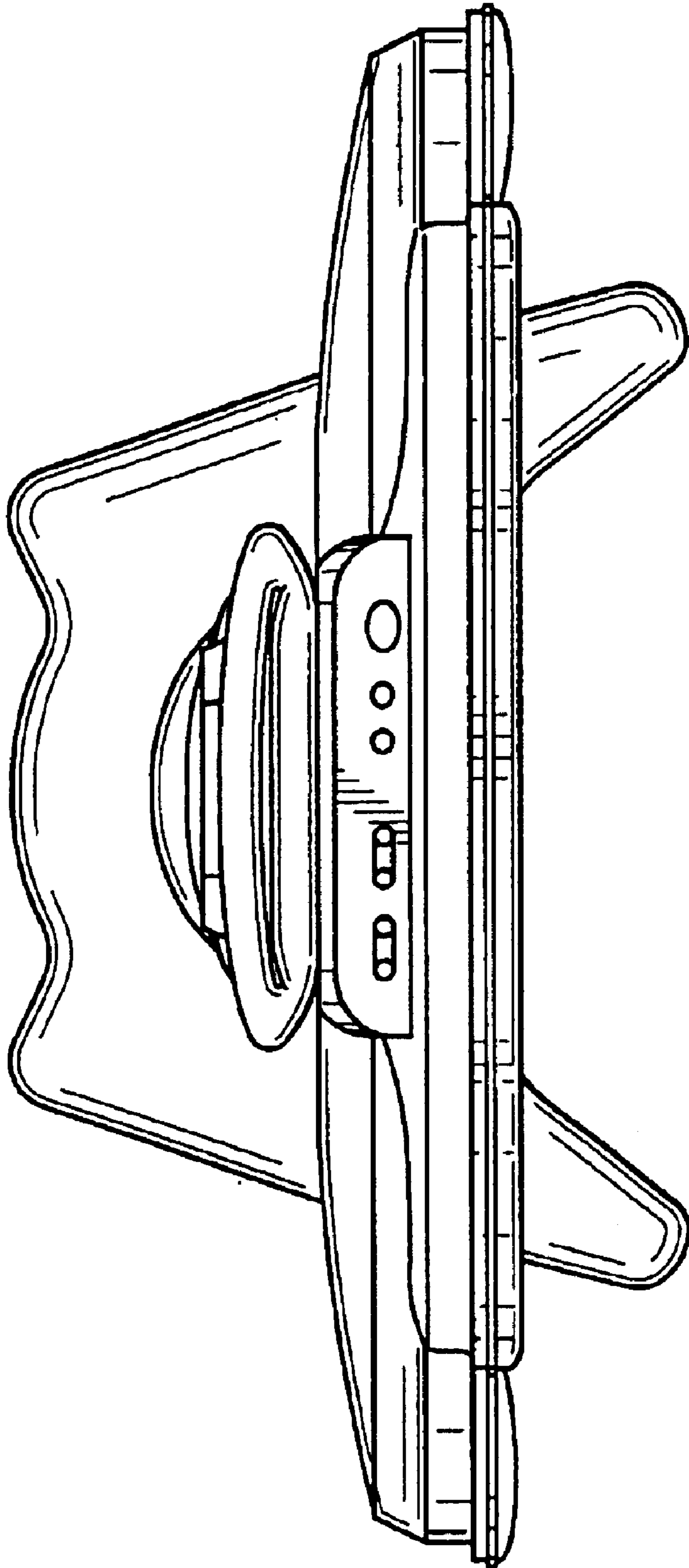


Fig.4

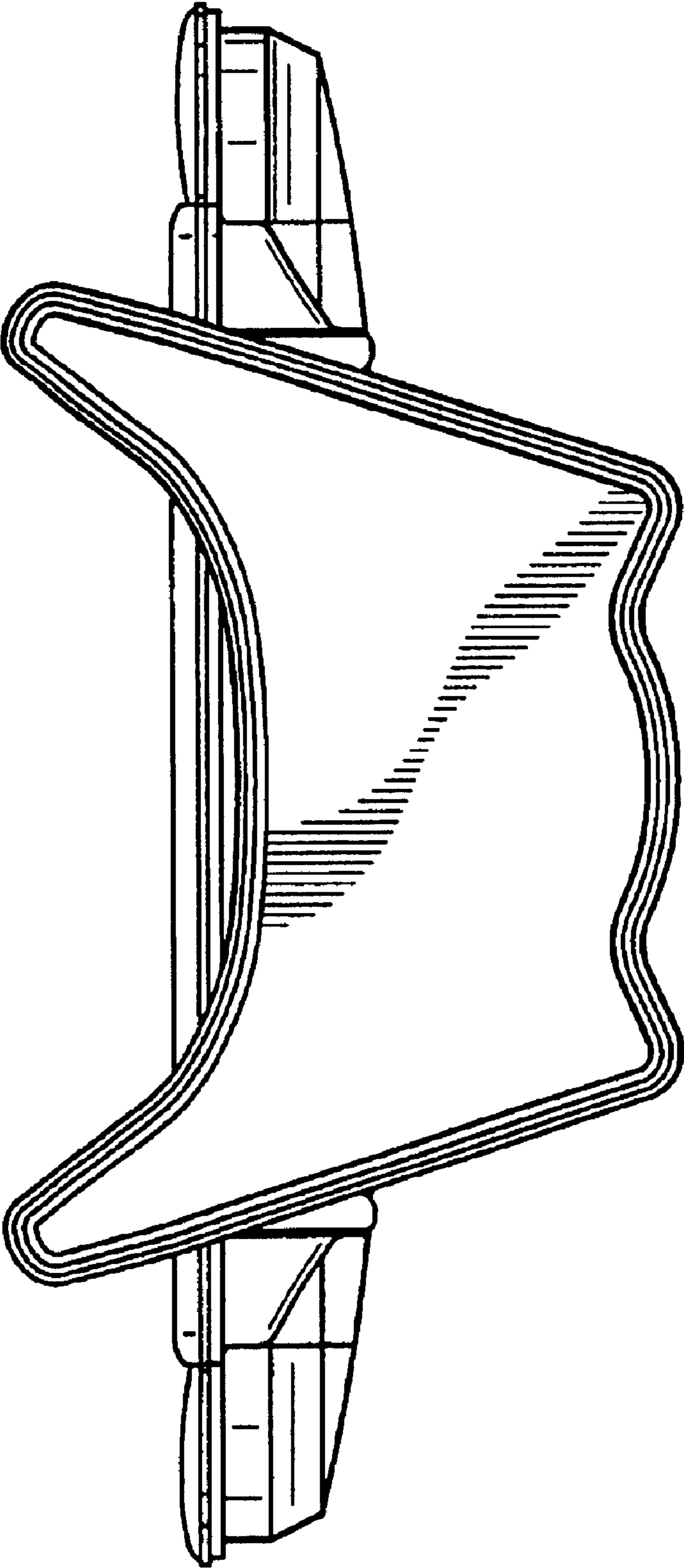


Fig. 5

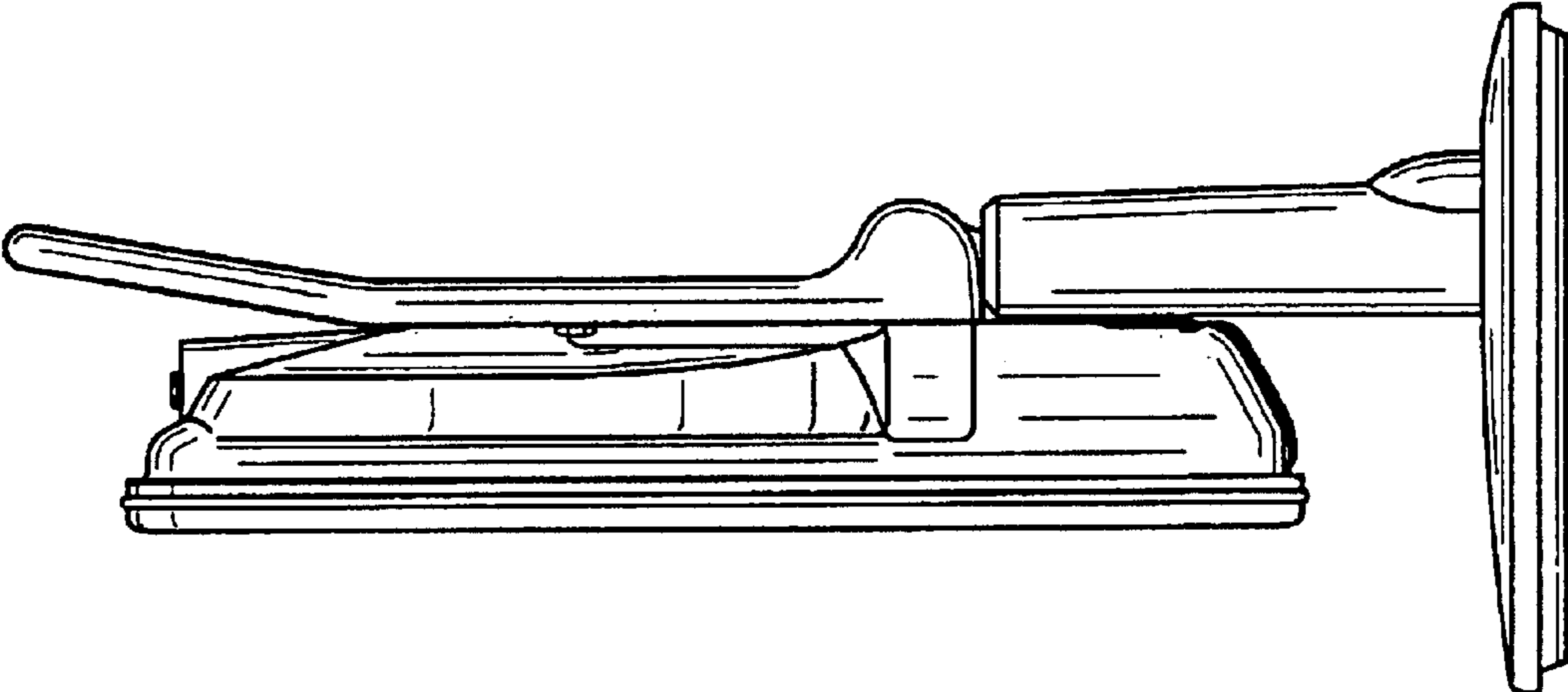


Fig.7

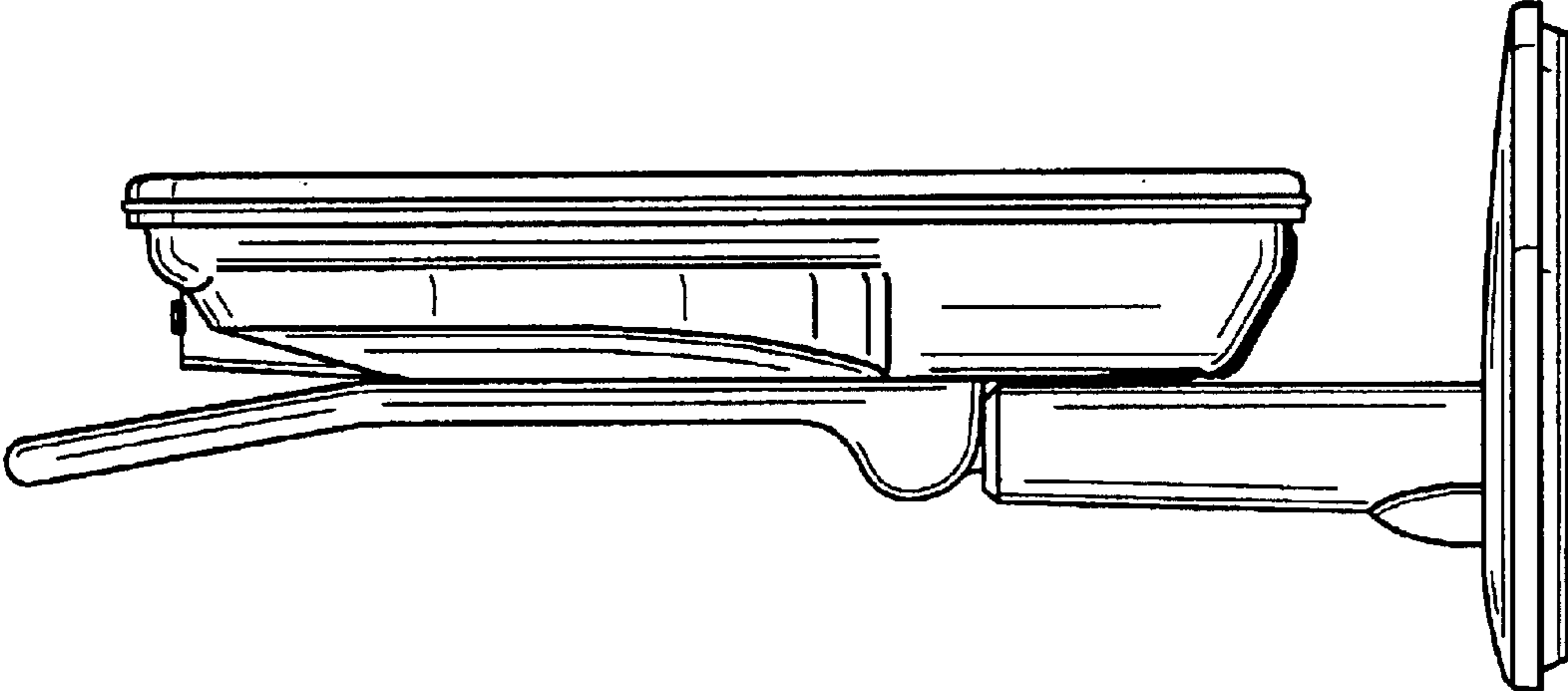
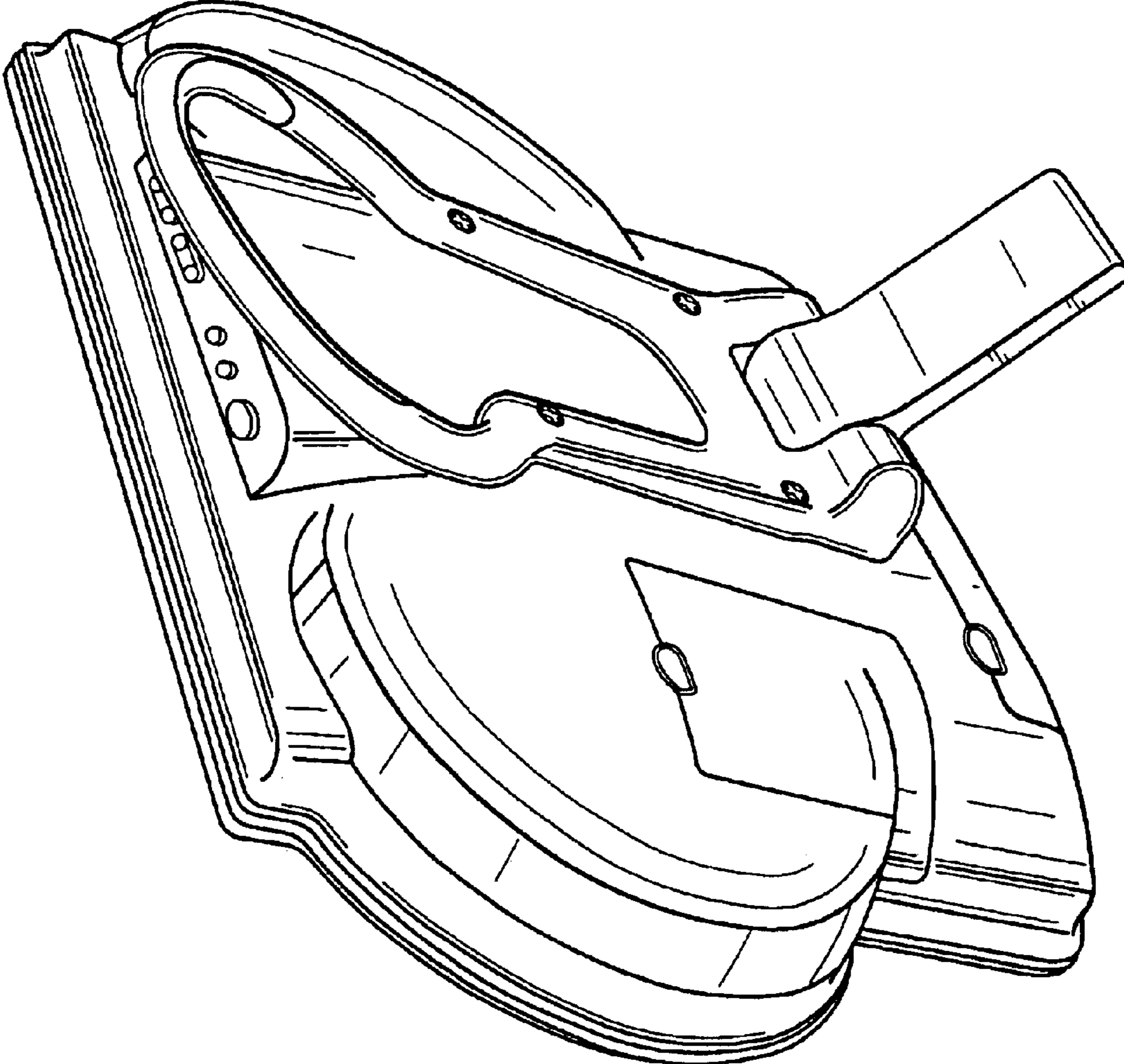


Fig.6

Fig. 8



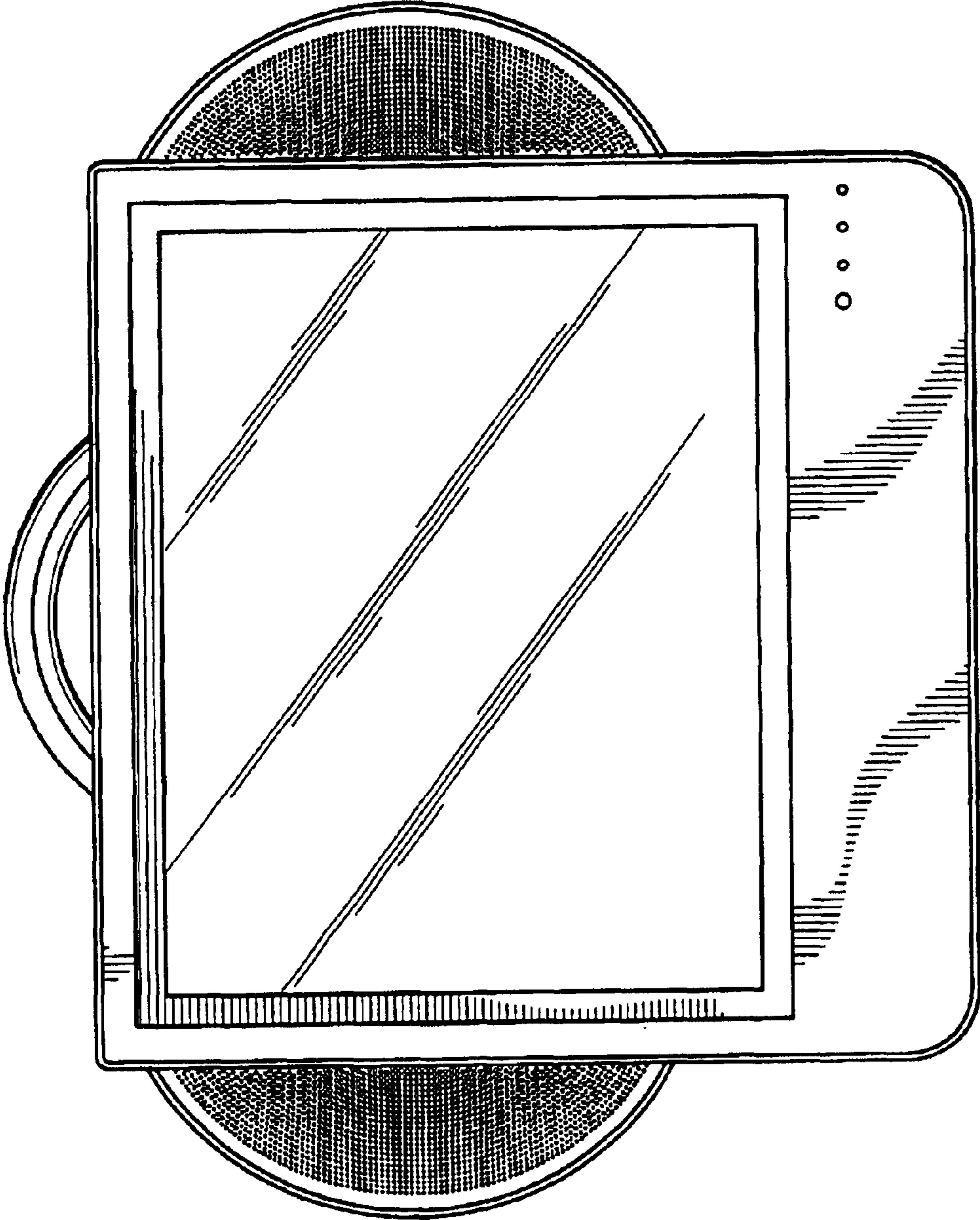


Fig.9

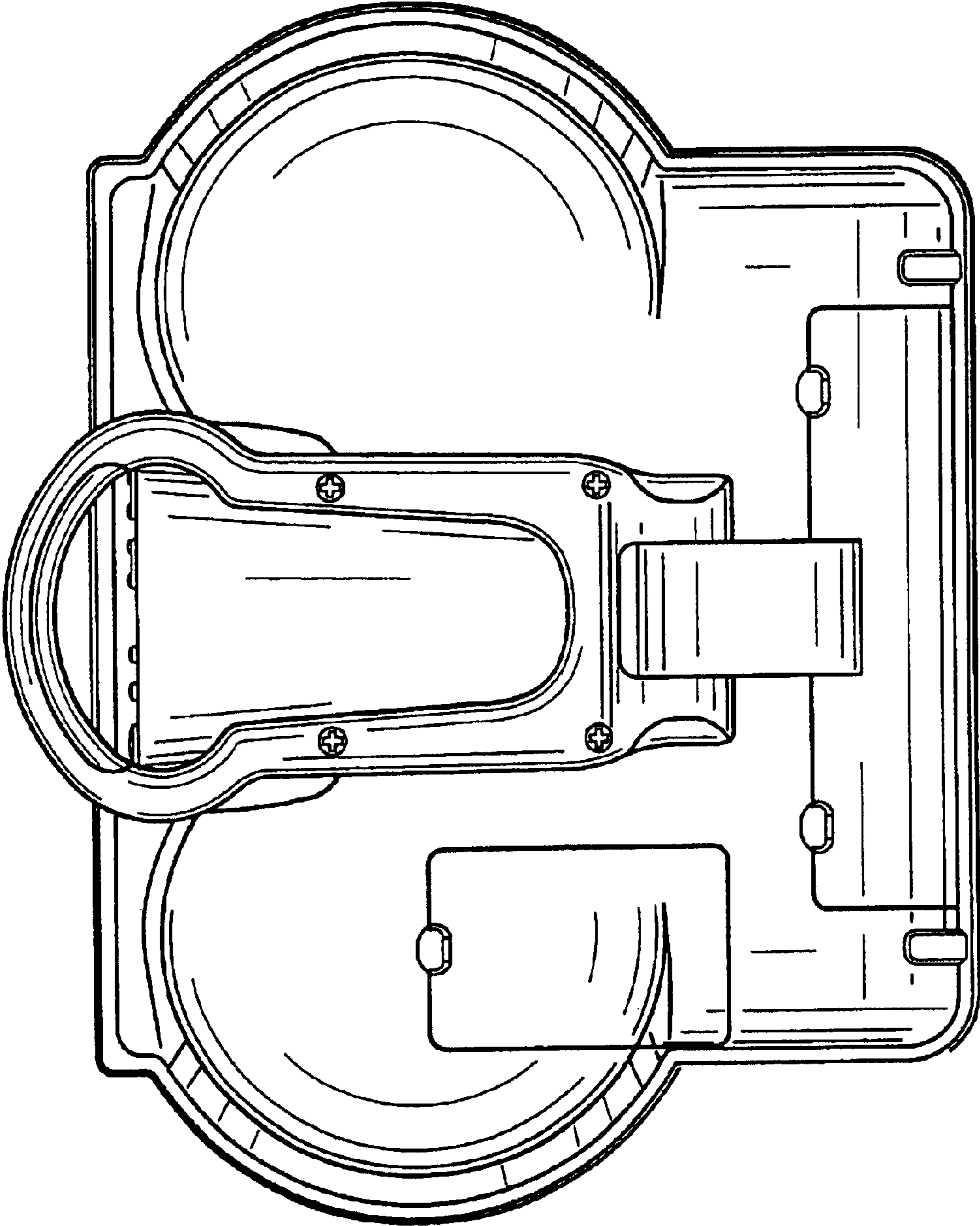


Fig.10

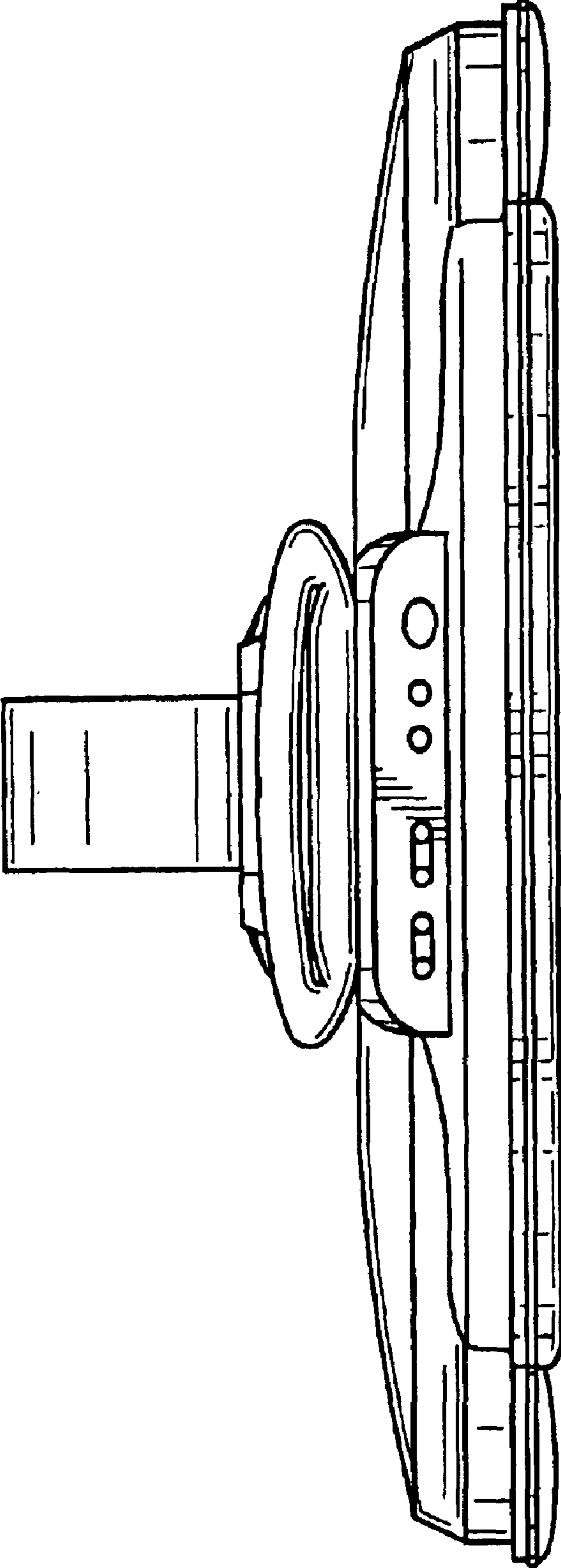


Fig. 11

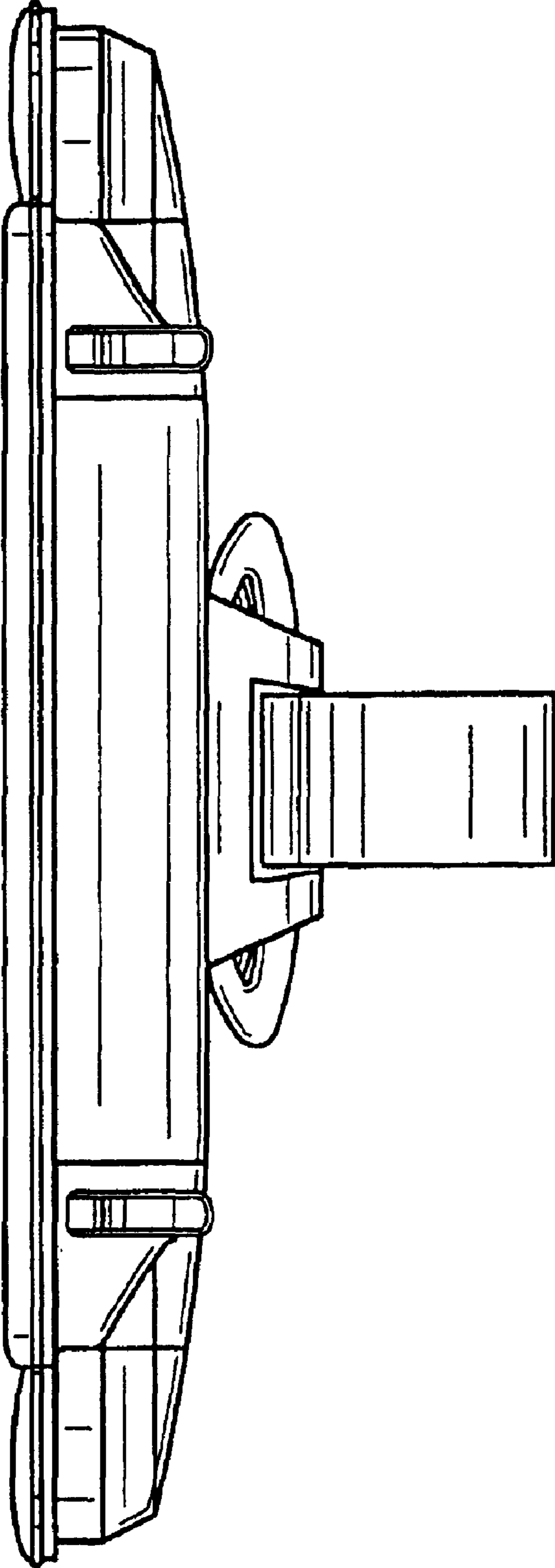


Fig. 12

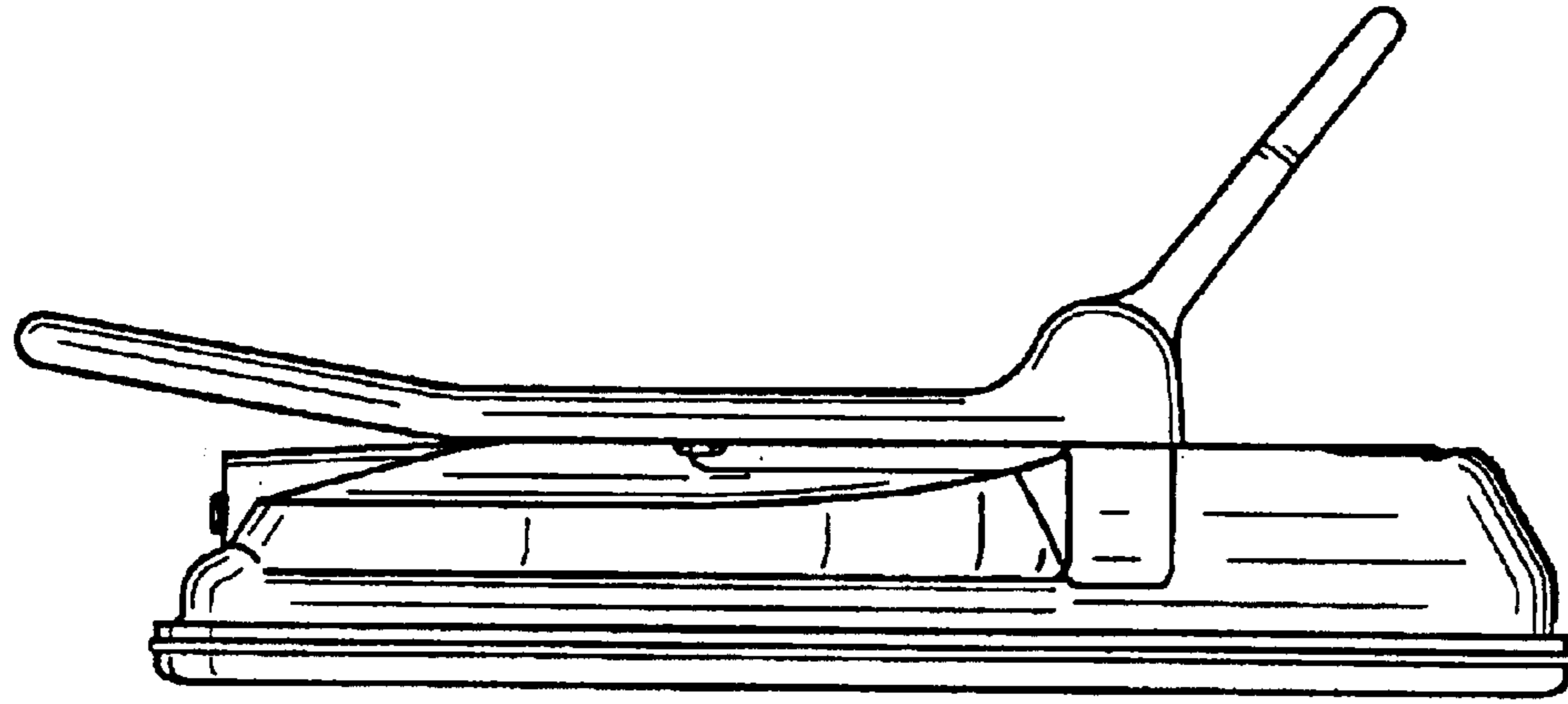


Fig. 14

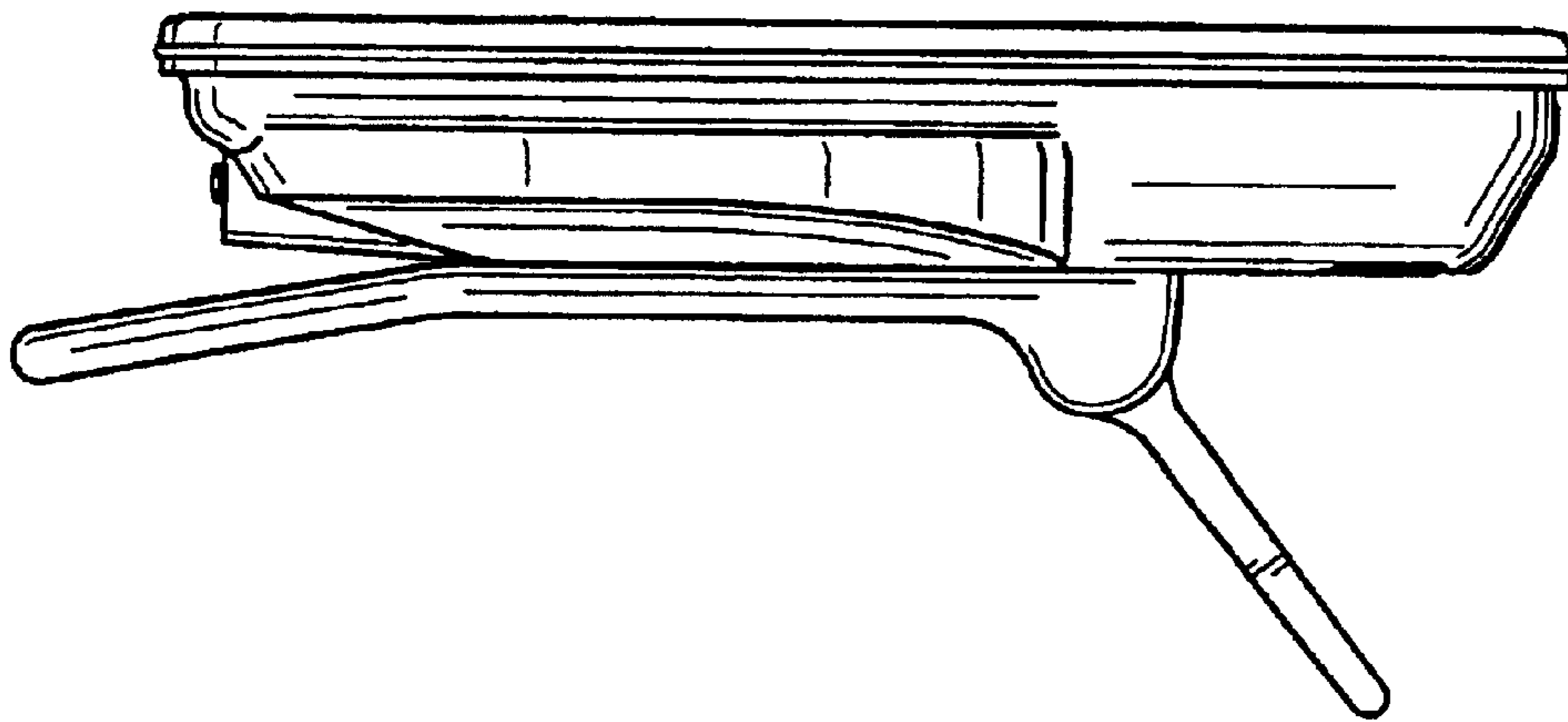


Fig. 13