

US00D497349S1

(12) **United States Design Patent**
Hoshiba

(10) **Patent No.:** **US D497,349 S**
(45) **Date of Patent:** **** Oct. 19, 2004**

- (54) **LIGHT EMITTING DIODE**
- (75) **Inventor:** **Toshiyuki Hoshiba, Anan (JP)**
- (73) **Assignee:** **Nichia Corporation, Anan (JP)**
- (**) **Term:** **14 Years**

- D435,745 S 2/2002 Suenaga
- D478,877 S * 8/2003 Hoshiba D13/182
- D489,677 S * 5/2004 Ishida D13/100
- D489,690 S * 5/2004 Ishida D13/180
- D489,691 S * 5/2004 Ishida D13/180
- D489,692 S * 5/2004 Ishida D13/180
- D489,693 S * 5/2004 Ishida D13/180

(List continued on next page.)

- (21) **Appl. No.:** **29/186,380**
- (22) **Filed:** **Jul. 16, 2003**

Related U.S. Application Data

- (62) Division of application No. 29/160,962, filed on May 21, 2002, now Pat. No. Des. 478,877.

(30) **Foreign Application Priority Data**

- Nov. 21, 2001 (JP) 2001-034160
- Nov. 21, 2001 (JP) 2001-034161
- Nov. 21, 2001 (JP) 2001-034162
- Nov. 21, 2001 (JP) 2001-034163
- Nov. 21, 2001 (JP) 2001-034164
- Nov. 21, 2001 (JP) 2001-034165
- Nov. 21, 2001 (JP) 2001-034166
- Nov. 21, 2001 (JP) 2001-034167

- (51) **LOC (7) Cl.** **13-03**
- (52) **U.S. Cl.** **D13/180; D13/182**
- (58) **Field of Search** **D13/180, 182;**
D10/104, 106; D26/2, 37; 257/88, 89, 93-96;
313/161; 345/39, 46, 82, 84; 361/820; 362/800

(56) **References Cited**

U.S. PATENT DOCUMENTS

- 4,152,624 A 5/1979 Knaebel
- 4,959,761 A 9/1990 Critelli et al.
- D312,979 S 12/1990 Oesterheld et al.
- D314,919 S 2/1991 Villar
- 5,045,895 A 9/1991 Yoshida et al.
- 5,226,053 A 7/1993 Cho et al.
- RE36,614 E 3/2000 Lombard et al.
- D432,095 S 10/2000 Seeger et al.
- D437,798 S 2/2001 Kiba et al.
- D439,351 S 3/2001 Kiba et al.
- 6,315,432 B1 11/2001 Kuo

FOREIGN PATENT DOCUMENTS

- JP D984224 7/1997
- JP D984224 10/1997
- JP D1077515 7/2000

OTHER PUBLICATIONS

Surface Mount Type LED—Light Emitting Diode—, Product Guide, May 2001, 6 pages, Cat. No. 01055K, Nichia Corporation, Japan.

Primary Examiner—Stella Reid
Assistant Examiner—Selina Sikder
(74) *Attorney, Agent, or Firm*—Smith Patent Office

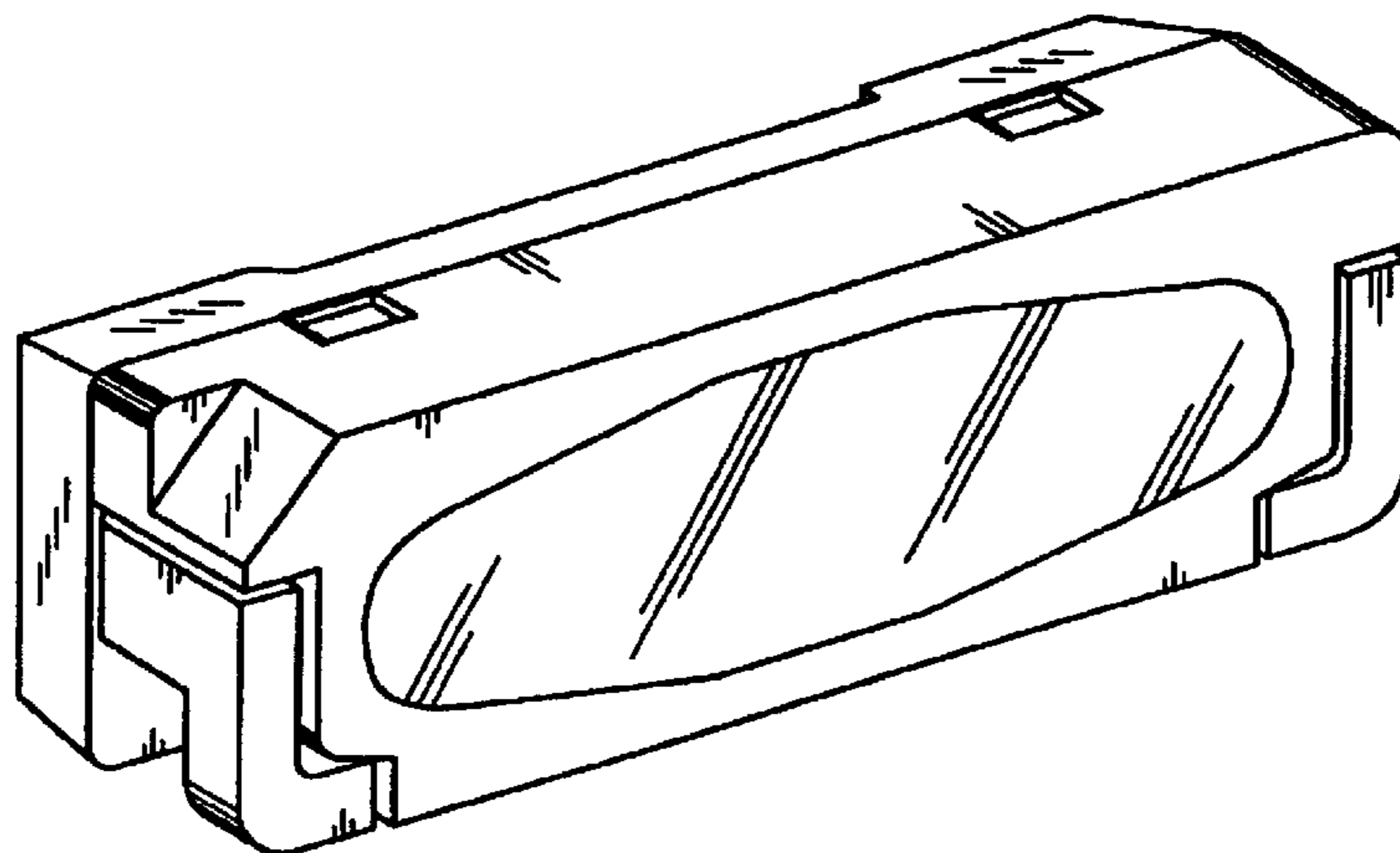
(57) **CLAIM**

I claim the ornamental design for the light emitting diode, as shown and described.

DESCRIPTION

FIG. 1 is a perspective view of the light emitting diode showing my new design;
FIG. 2 is a plan view of the light emitting diode according to the embodiment of FIG. 1;
FIG. 3 is a left view of the light emitting diode according to the embodiment of FIG. 1;
FIG. 4 is a front elevational view of the light emitting diode according to the embodiment of FIG. 1;
FIG. 5 is a right view of the light emitting diode according to the embodiment of FIG. 1;
FIG. 6 is a bottom plan of the light emitting diode according to the embodiment of FIG. 1; and,
FIG. 7 is a rear view of the light emitting diode according to the embodiment of FIG. 1.

1 Claim, 2 Drawing Sheets



US D497,349 S

Page 2

U.S. PATENT DOCUMENTS

| | | | | | | | | | | | |
|------------|---|--------|--------|-------|---------|------------|---|--------|--------|-------|---------|
| D490,062 S | * | 5/2004 | Ishida | | D13/180 | D490,386 S | * | 5/2004 | Ishida | | D13/180 |
| D490,384 S | * | 5/2004 | Ishida | | D13/180 | D490,783 S | * | 6/2004 | Ishida | | D13/180 |
| D490,385 S | * | 5/2004 | Ishida | | D13/180 | D490,784 S | * | 6/2004 | Ishida | | D13/180 |

* cited by examiner

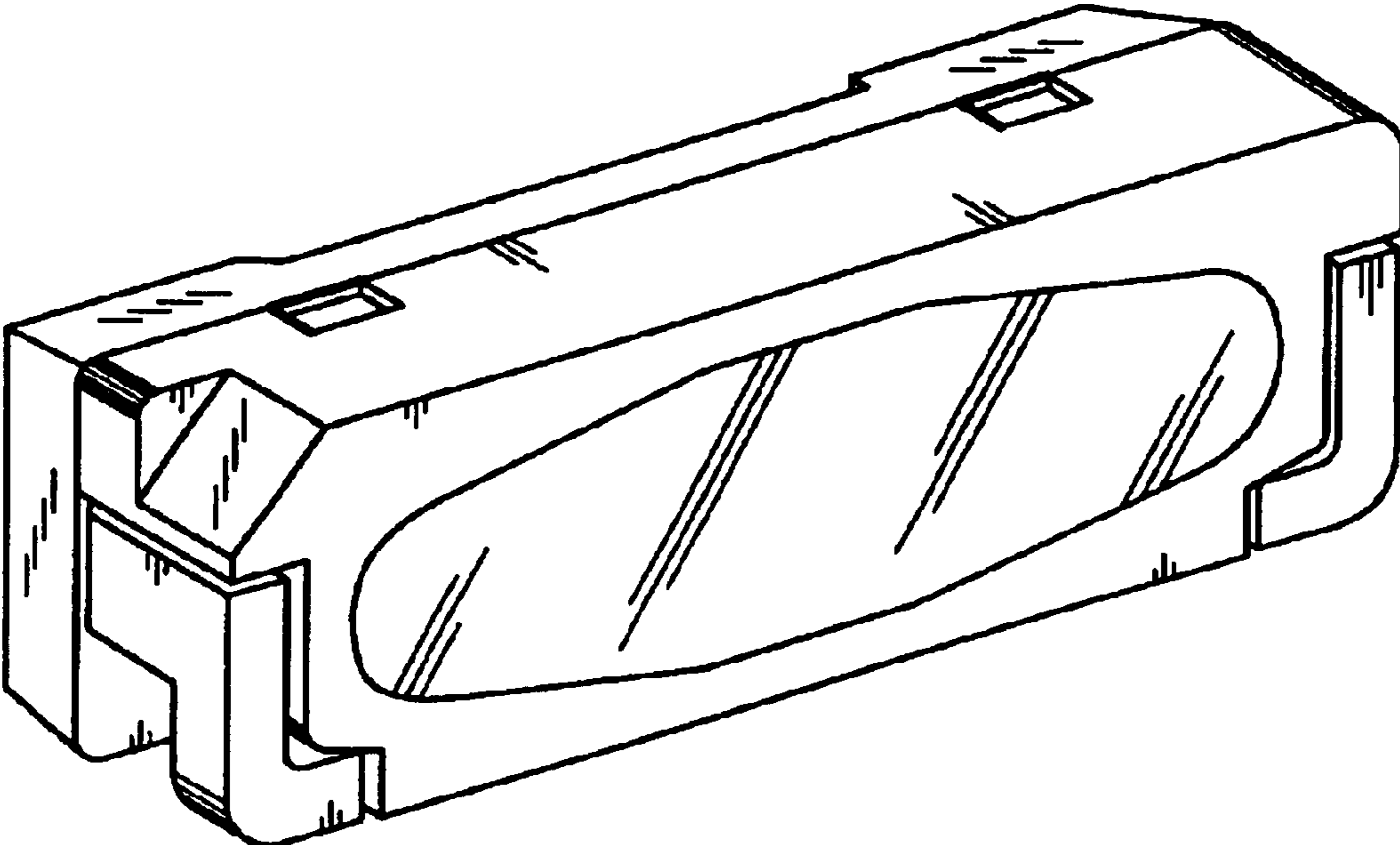


FIG. 1



FIG. 2

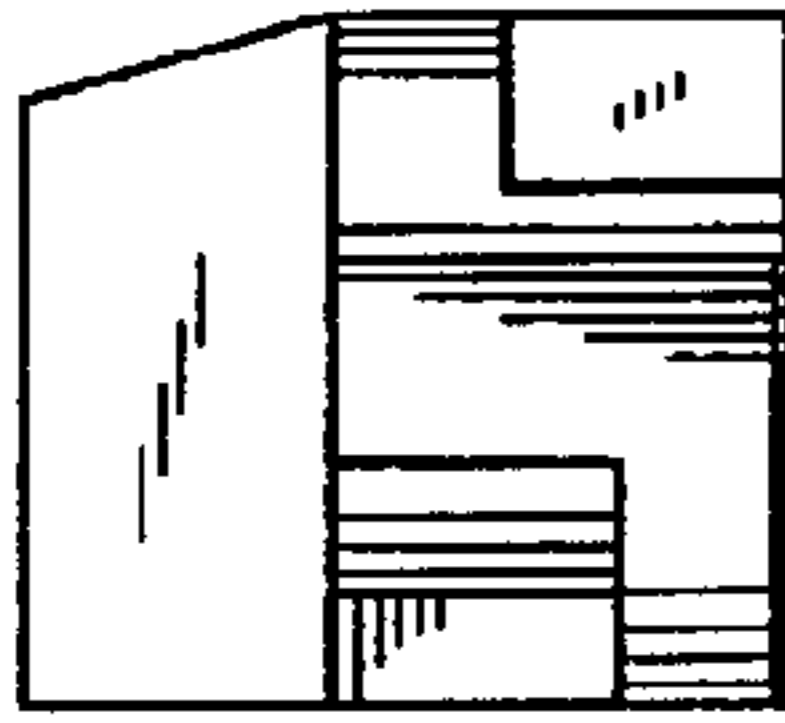


FIG. 3

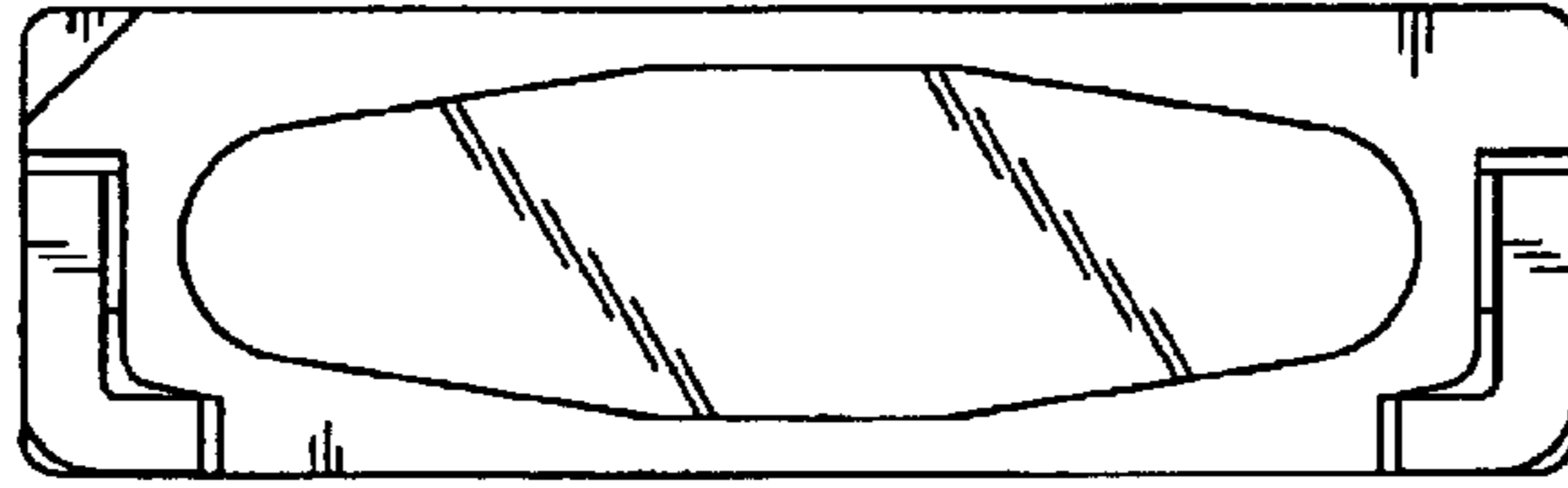


FIG. 4

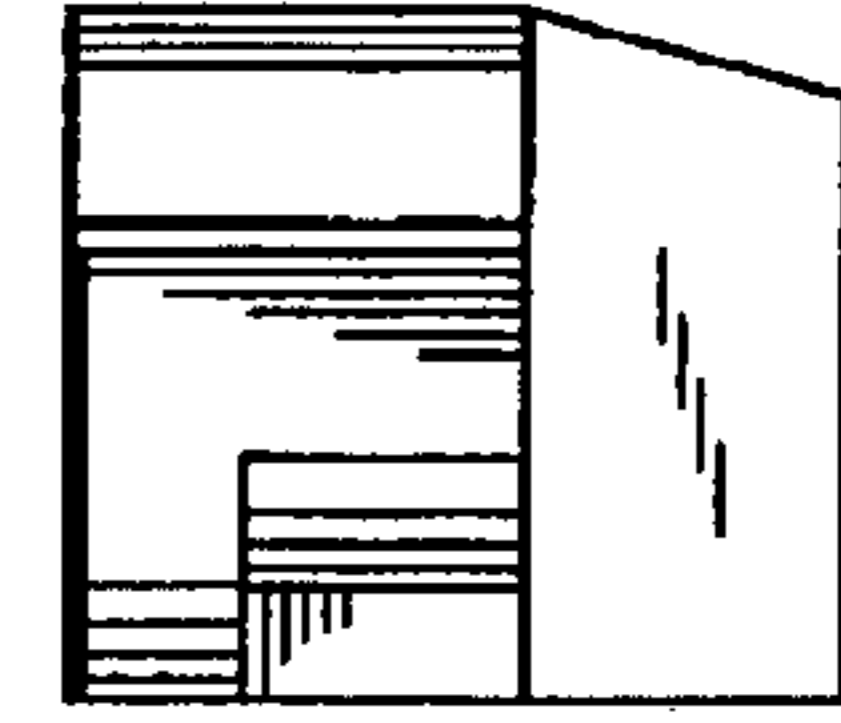


FIG. 5

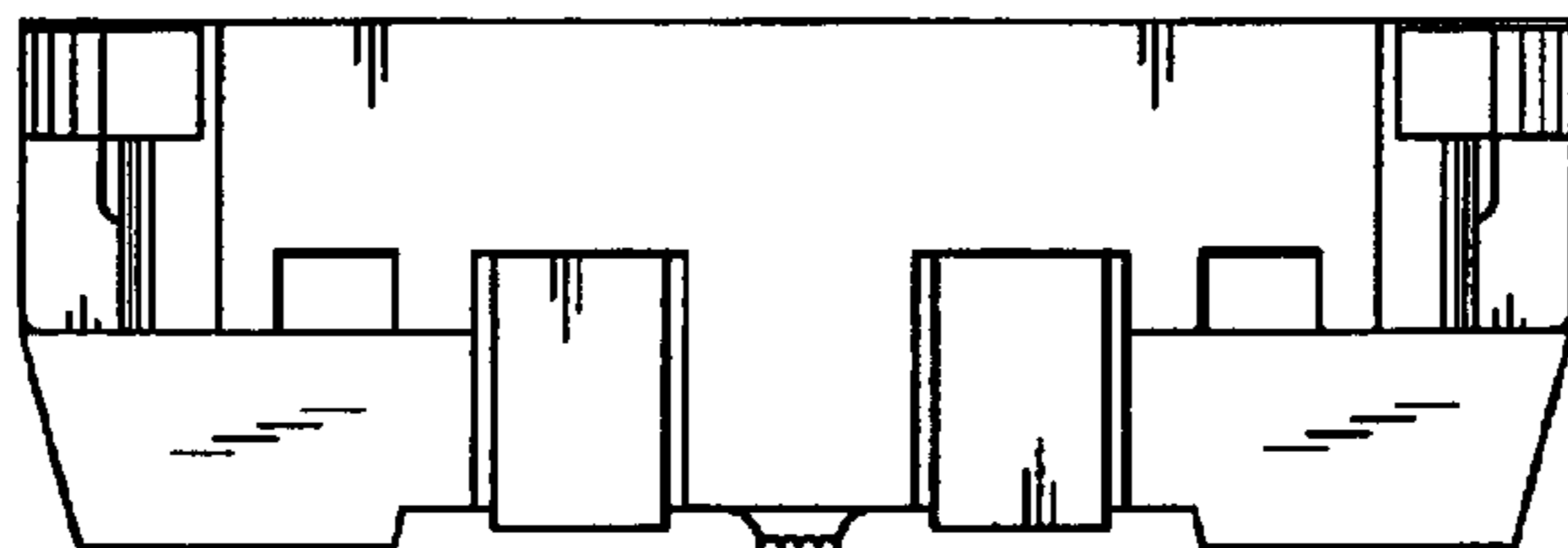


FIG. 6

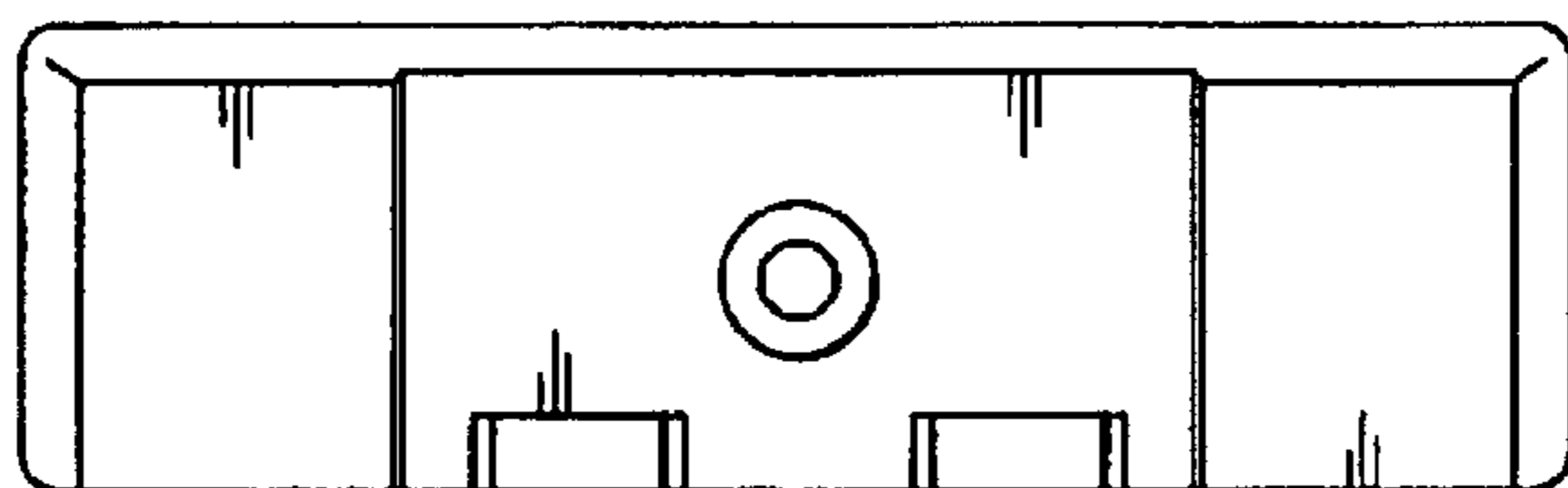


FIG. 7