



US00D497348S1

(12) **United States Design Patent**
Hong et al.

(10) **Patent No.:** **US D497,348 S**
(45) **Date of Patent:** **** Oct. 19, 2004**

(54) **HEAT SINK MODULE**

(75) Inventors: **James Hong**, Nantou (TW); **Alex Hsia**,
Banchiau (TW); **Chen Chin-Ming**,
Taoyuan (TW)

(73) Assignee: **Delta Electronics, Inc.**, Taoyuan (TW)

(**) Term: **14 Years**

(21) Appl. No.: **29/181,725**

(22) Filed: **May 14, 2003**

(51) **LOC (7) Cl.** **13-03**

(52) **U.S. Cl.** **D13/179**

(58) **Field of Search** D13/179; 165/80.3,
165/104.33, 121, 122, 146, 185; 257/697,
706, 707, 712, 718, 719, 720, 721, 722;
361/695, 699, 702, 704, 709, 514

(56) **References Cited**

U.S. PATENT DOCUMENTS

6,449,151 B1 * 9/2002 Chen 361/697
6,449,152 B1 * 9/2002 Lin 361/697
6,450,248 B1 * 9/2002 Chang 165/80.3

6,466,443 B1 * 10/2002 Chen 361/695
6,525,941 B1 * 2/2003 Lai 361/697
6,560,111 B1 * 5/2003 Lo 361/719
D478,876 S * 8/2003 Tan et al. D13/179

* cited by examiner

Primary Examiner—Philip S. Hyder

Assistant Examiner—Selina Sikder

(74) *Attorney, Agent, or Firm*—Pro-Techtor International
Services

(57) **CLAIM**

The ornamental design for a heat sink module, as shown and
described herein.

DESCRIPTION

FIG. 1 is a perspective view of a heat sink module showing
our new design;

FIG. 2 is a right side view thereof;

FIG. 3 is a top view thereof;

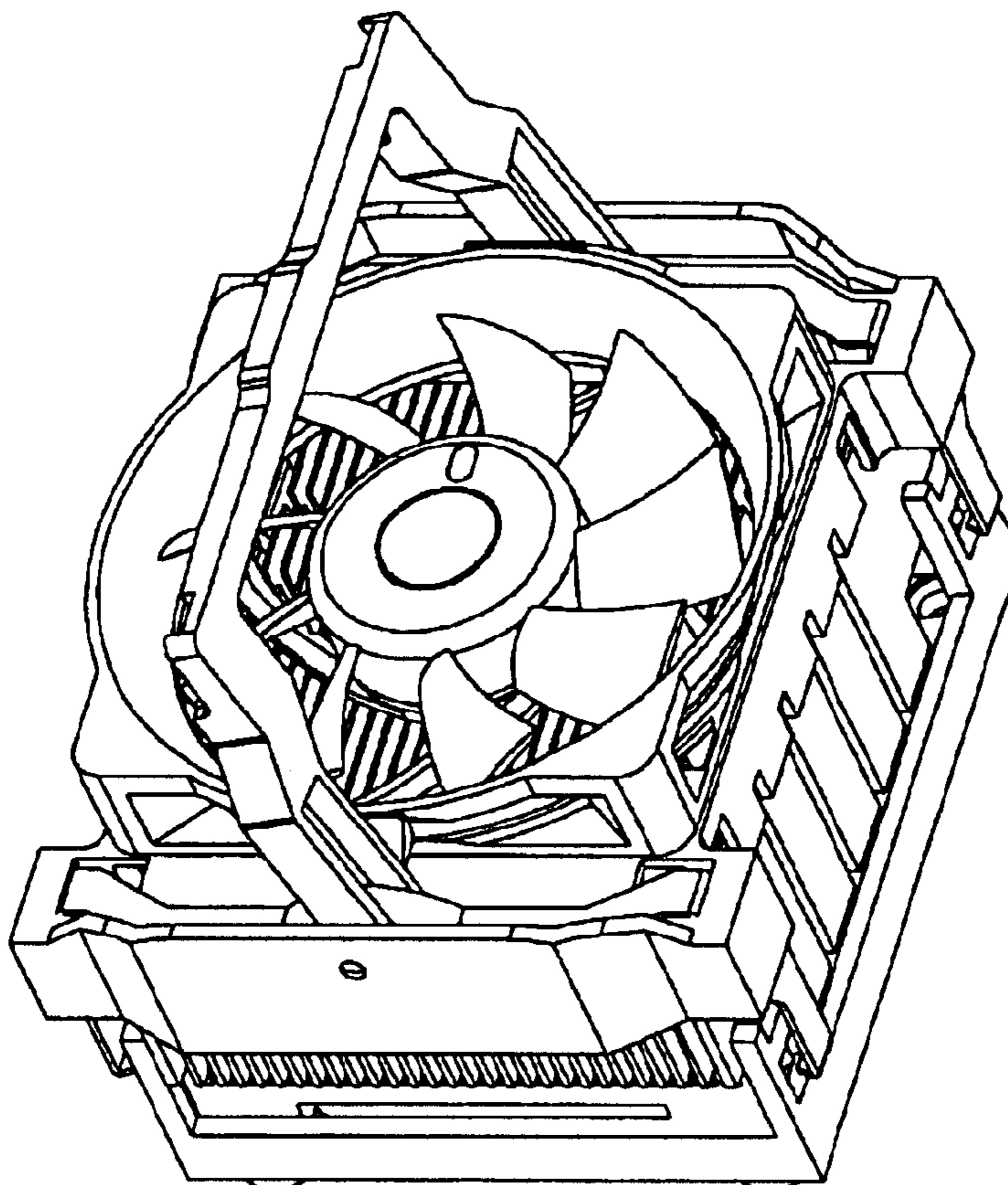
FIG. 4 is a front view thereof;

FIG. 5 is a bottom view thereof;

FIG. 6 is a left side view thereof; and,

FIG. 7 is a rear view thereof.

1 Claim, 7 Drawing Sheets



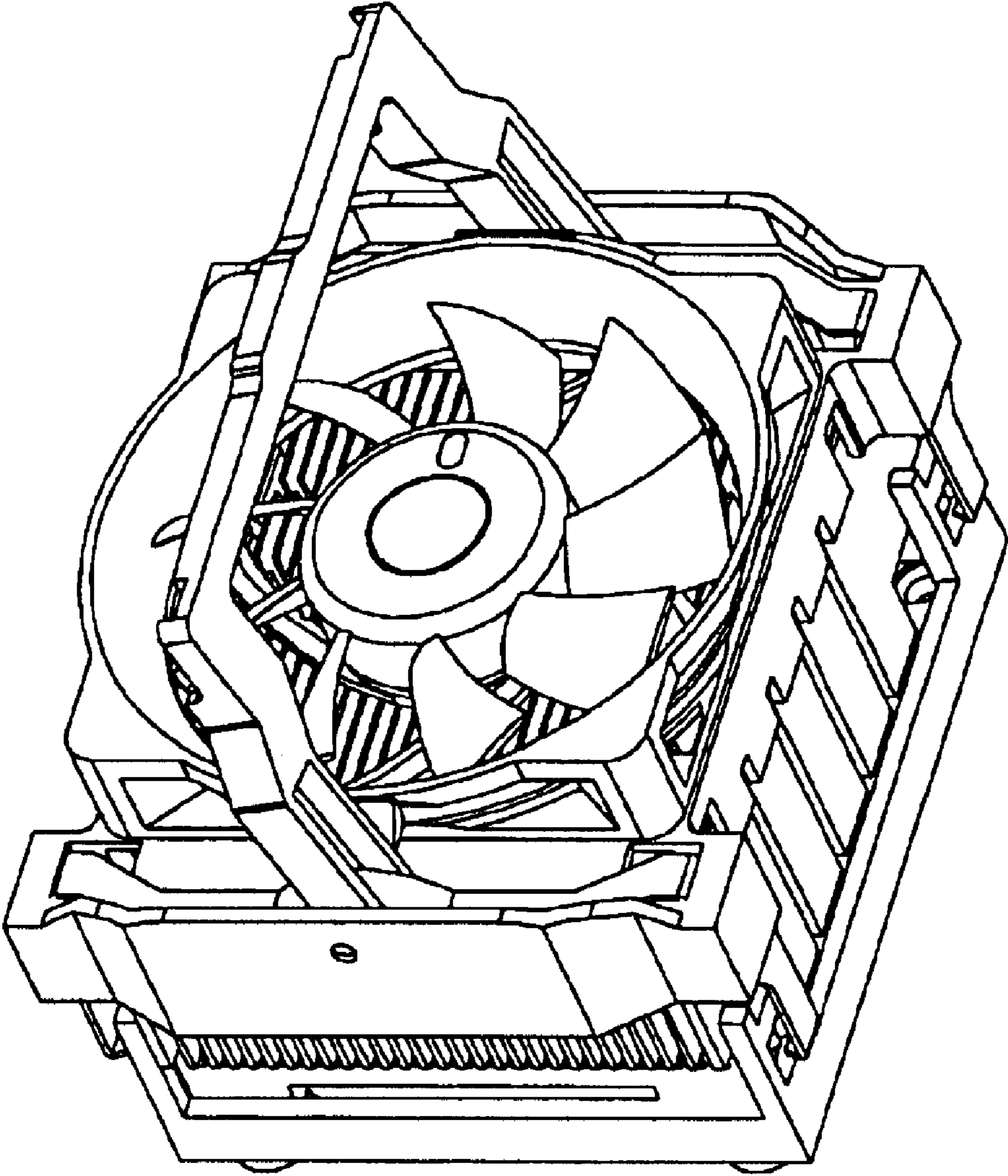


Fig. 1

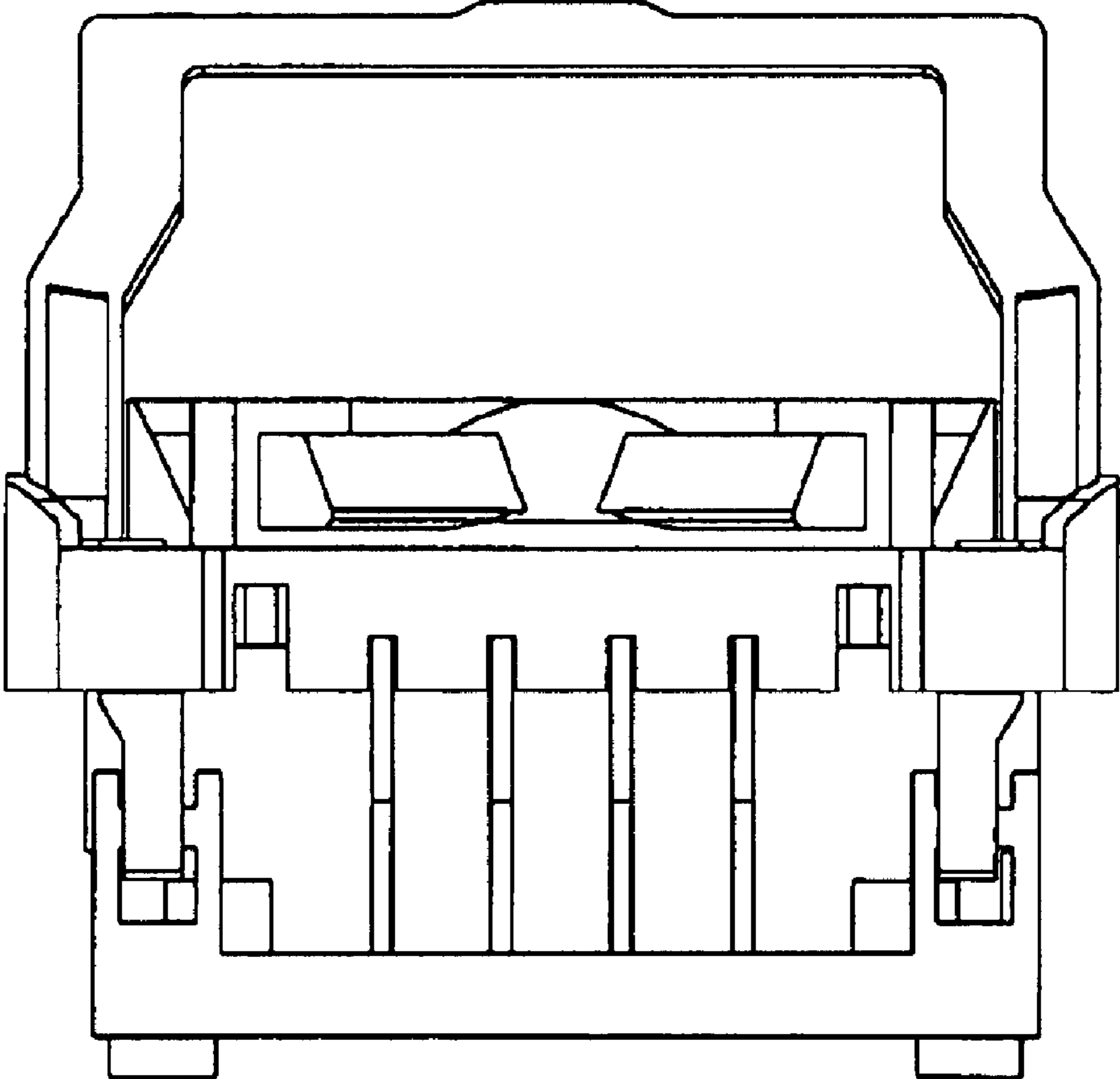


Fig. 2

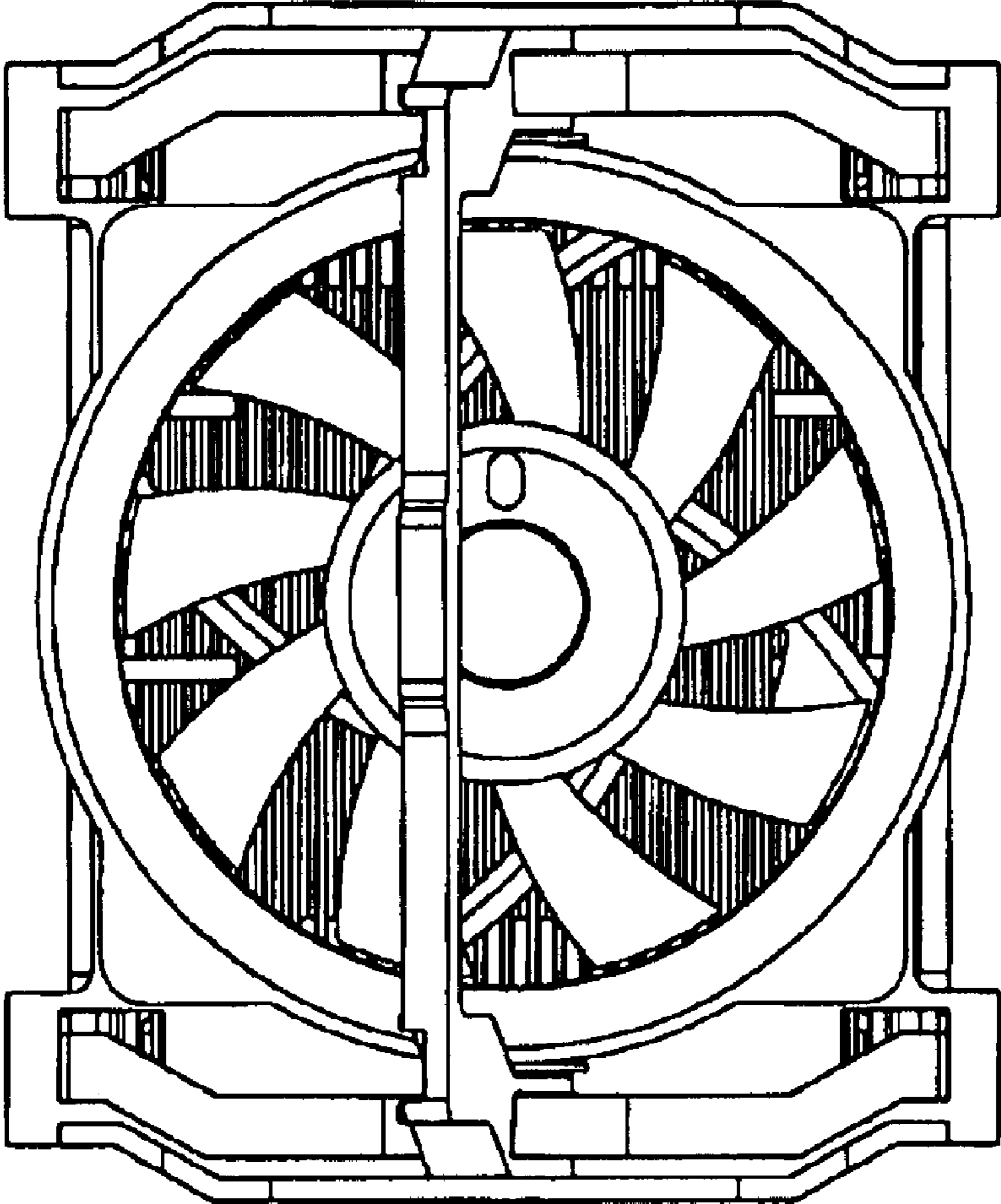


Fig. 3

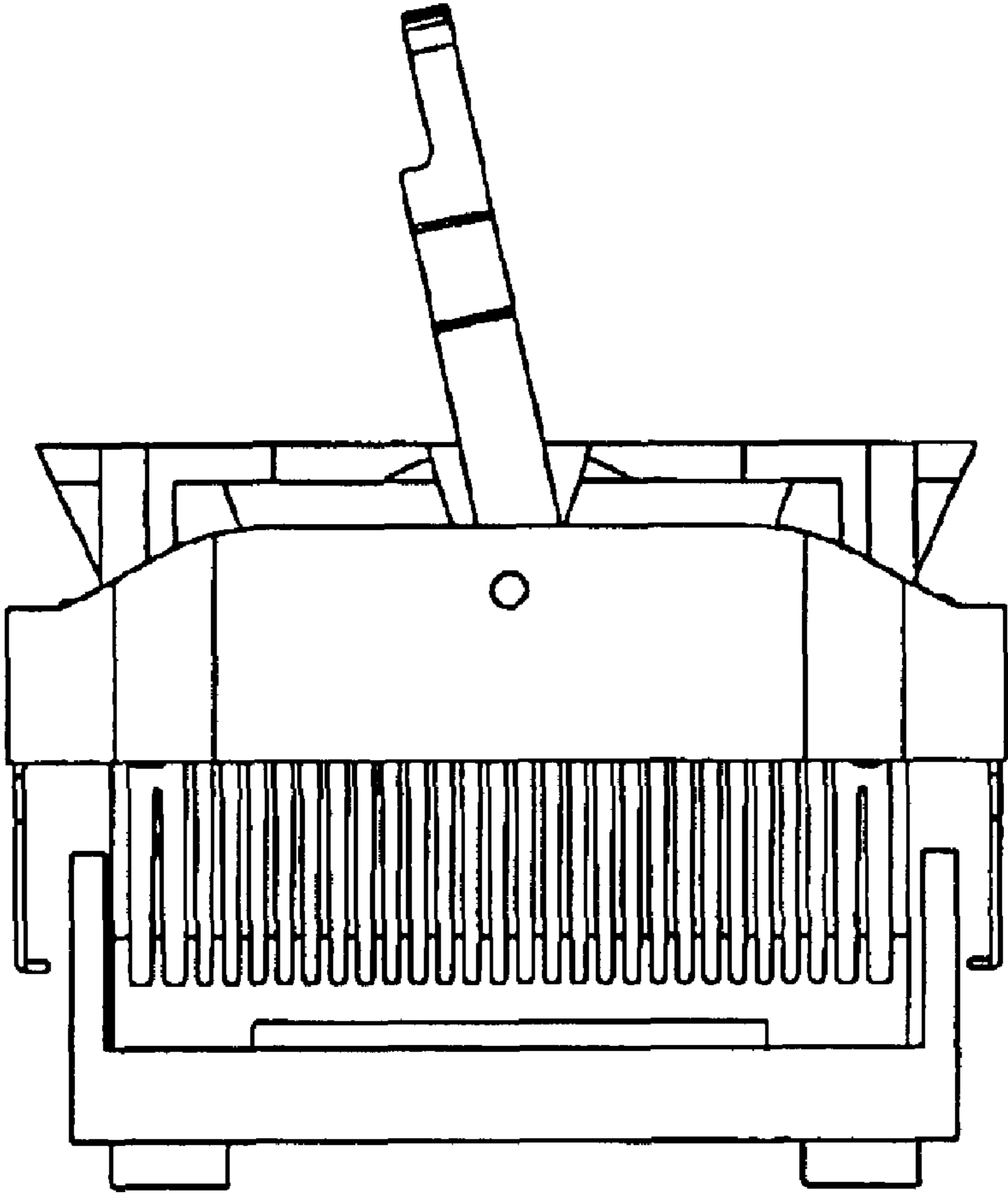


Fig. 4

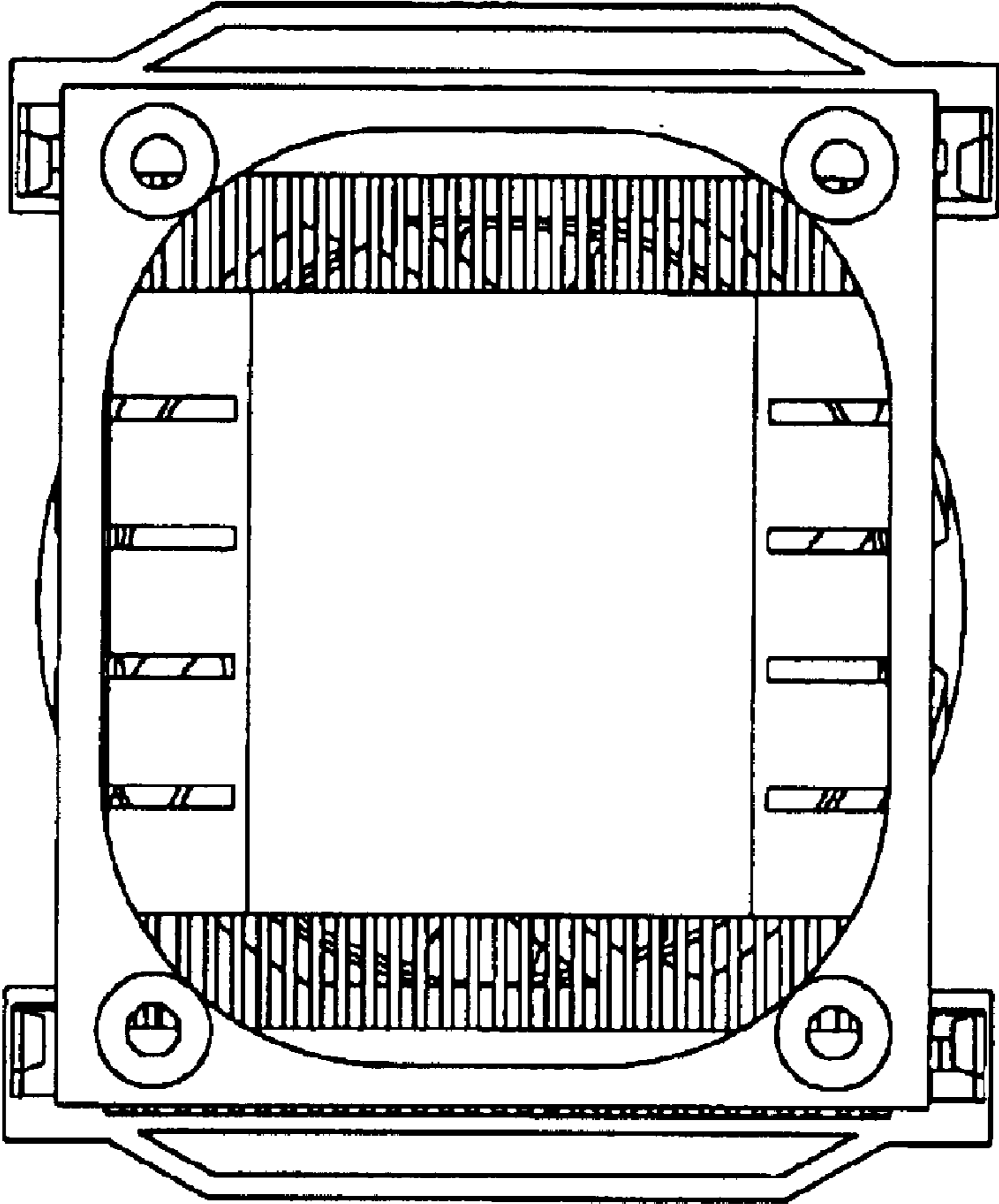


Fig. 5

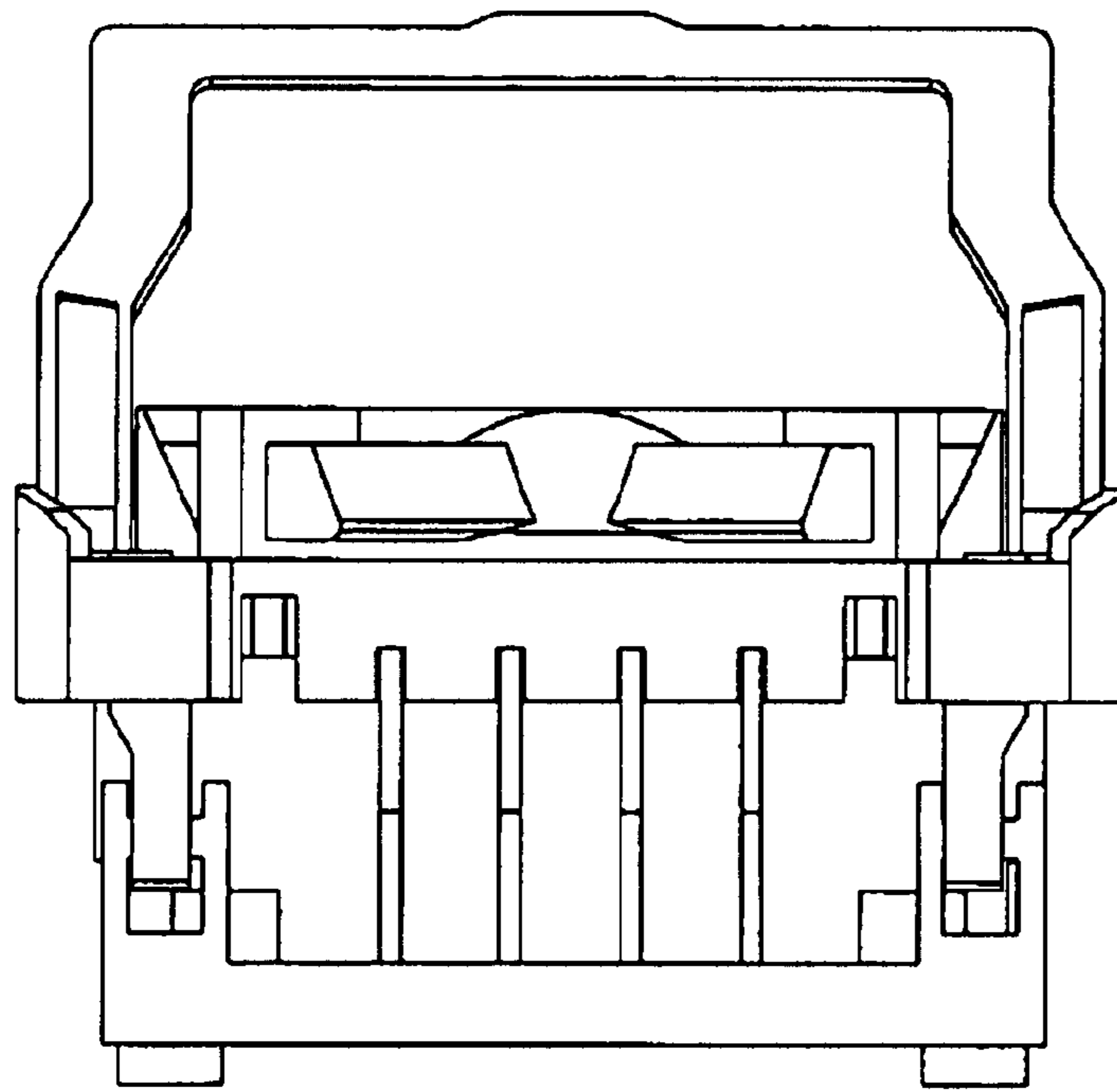


Fig. 6

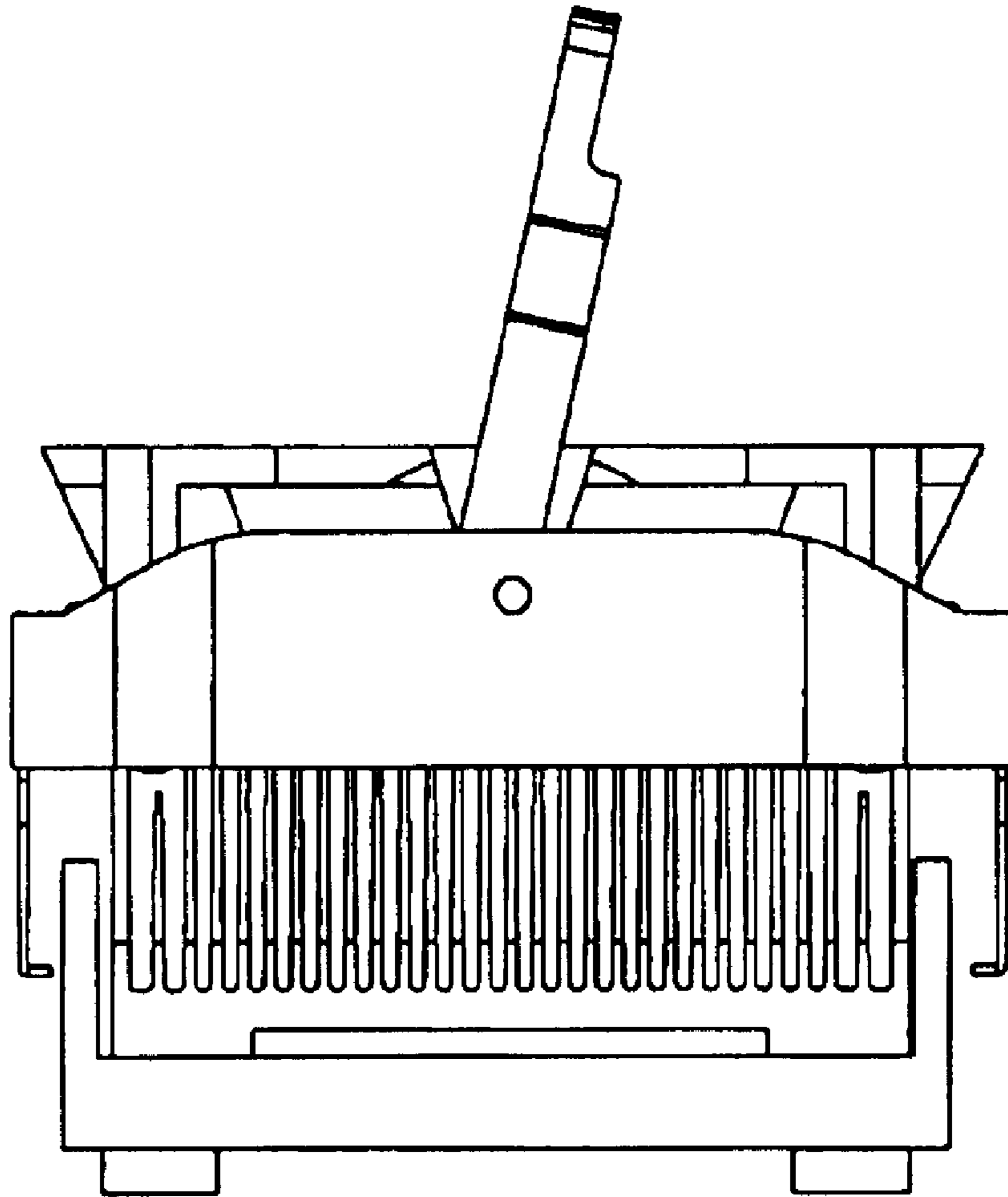


Fig. 7