

US00D497346S1

(12) **United States Design Patent**  
**Ikegami**

(10) **Patent No.: US D497,346 S**

(45) **Date of Patent: \*\* Oct. 19, 2004**

(54) **MAGNETIC SWITCH**

6,571,681 B2 \* 6/2003 Sakurai ..... 92/5 R

(75) Inventor: **Kentaro Ikegami**, Ibaraki-ken (JP)

\* cited by examiner

(73) Assignee: **SMC Kabushiki Kaisha**, Tokyo (JP)

*Primary Examiner*—Stella Reid  
*Assistant Examiner*—Selina Sikder

(\*\*) Term: **14 Years**

(74) *Attorney, Agent, or Firm*—Frishauf, Holtz, Goodman & Chick, P.C.

(21) Appl. No.: **29/191,189**

(57) **CLAIM**

(22) Filed: **Oct. 1, 2003**

The ornamental design for a magnetic switch, as shown.

(51) **LOC (7) Cl.** ..... **13-03**

(52) **U.S. Cl.** ..... **D13/158**

(58) **Field of Search** ..... D13/158; 92/5 R,  
92/5 L; 200/6 R, 82 E, 82 R; 335/205

**DESCRIPTION**

FIG. 1 is a top, front and left side perspective view of a magnetic switch showing my new design;  
FIG. 2 is a front view thereof;  
FIG. 3 is a rear side view thereof;  
FIG. 4 is a right side view thereof;  
FIG. 5 is a left side view thereof;  
FIG. 6 is a top plan view thereof; and,  
FIG. 7 is a bottom plan view thereof.

(56) **References Cited**

**U.S. PATENT DOCUMENTS**

4,086,456 A *	4/1978	Bone	.....	200/82 E
4,594,487 A *	6/1986	Grassl et al.	.....	200/82 E
4,752,657 A *	6/1988	Kane et al.	.....	200/82 E
6,089,111 A *	7/2000	Machijima	.....	73/866.5
D462,330 S *	9/2002	Sakurai	.....	D13/158

**1 Claim, 4 Drawing Sheets**

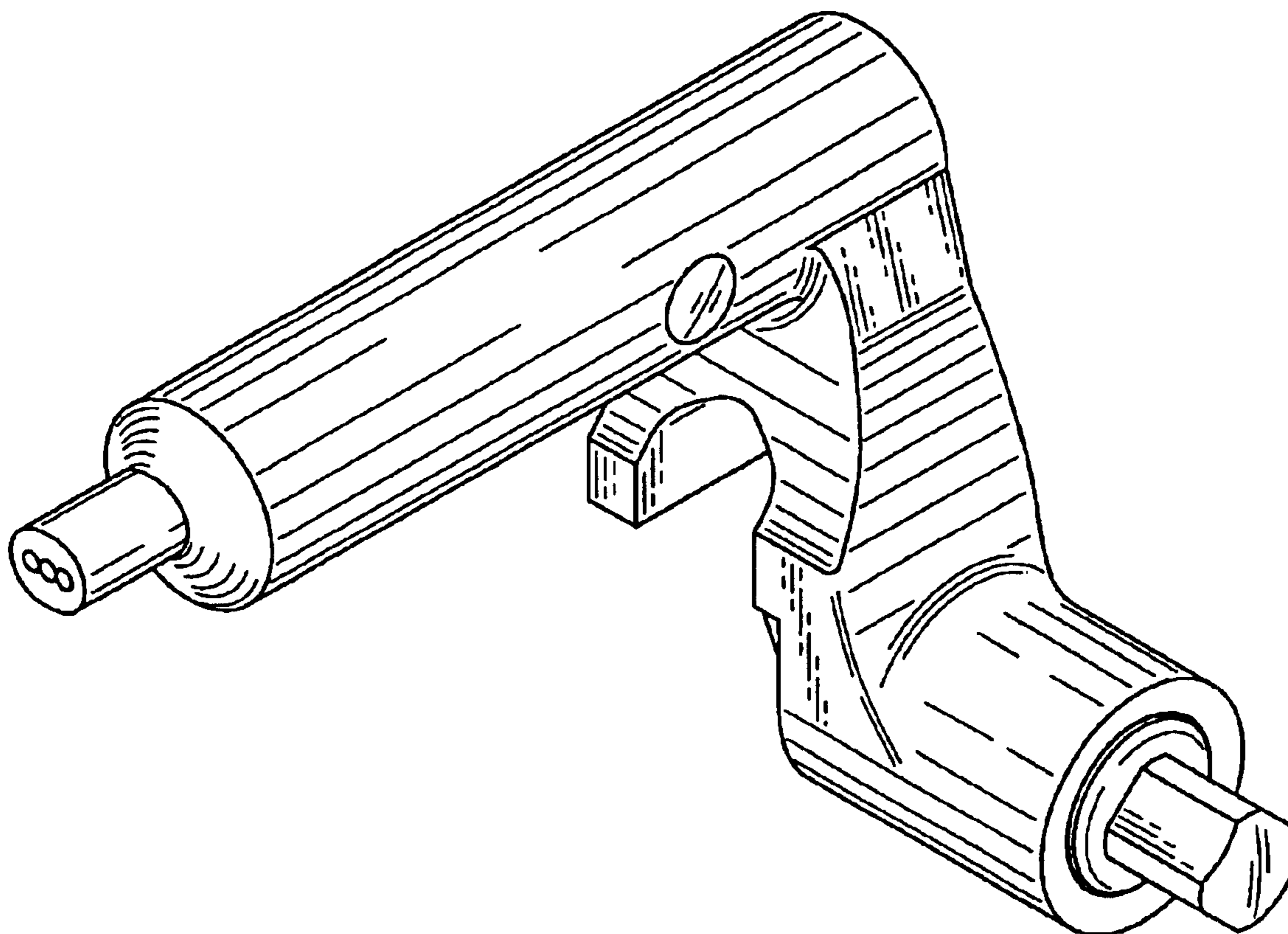


FIG. 1

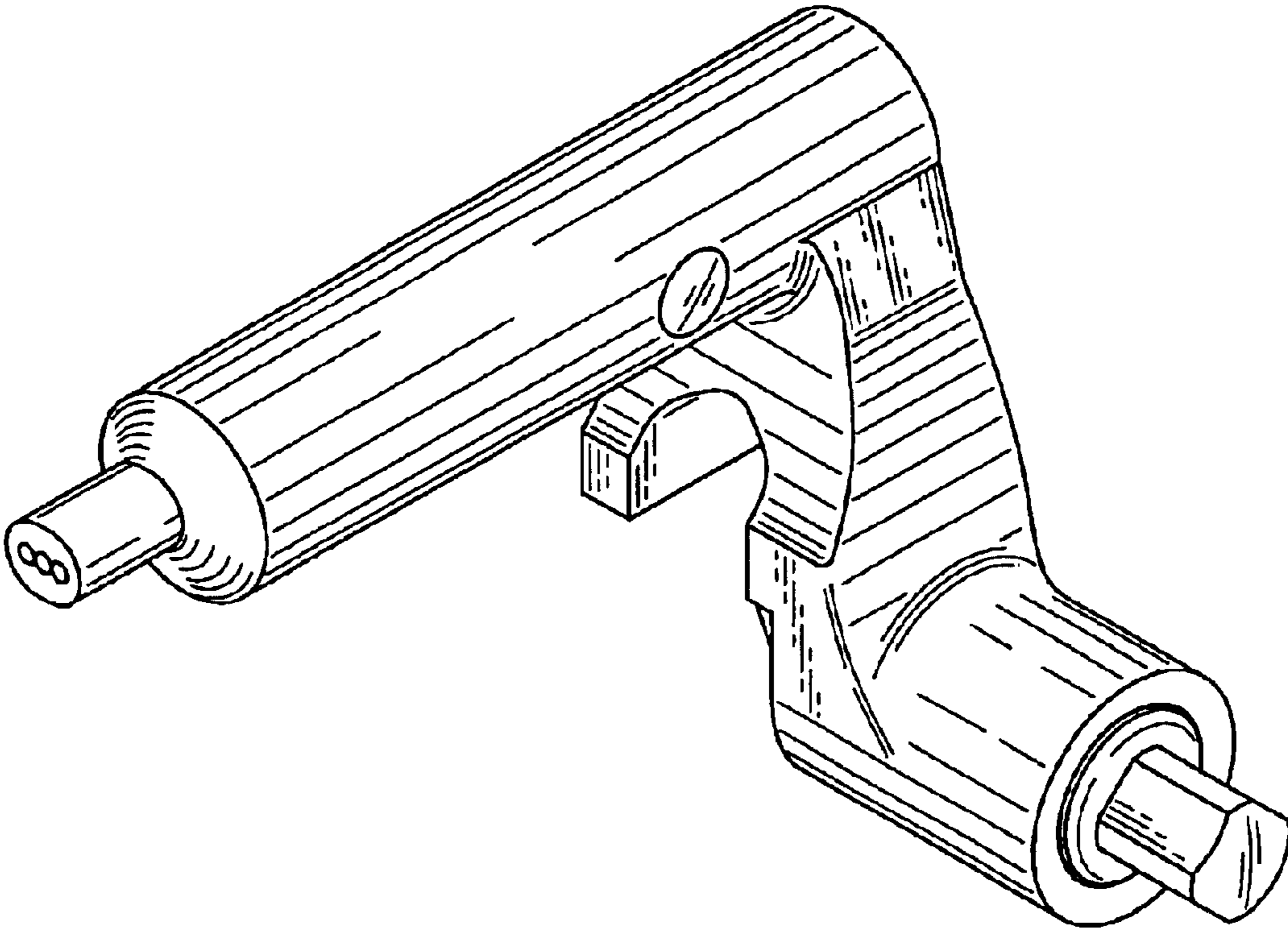


FIG. 2

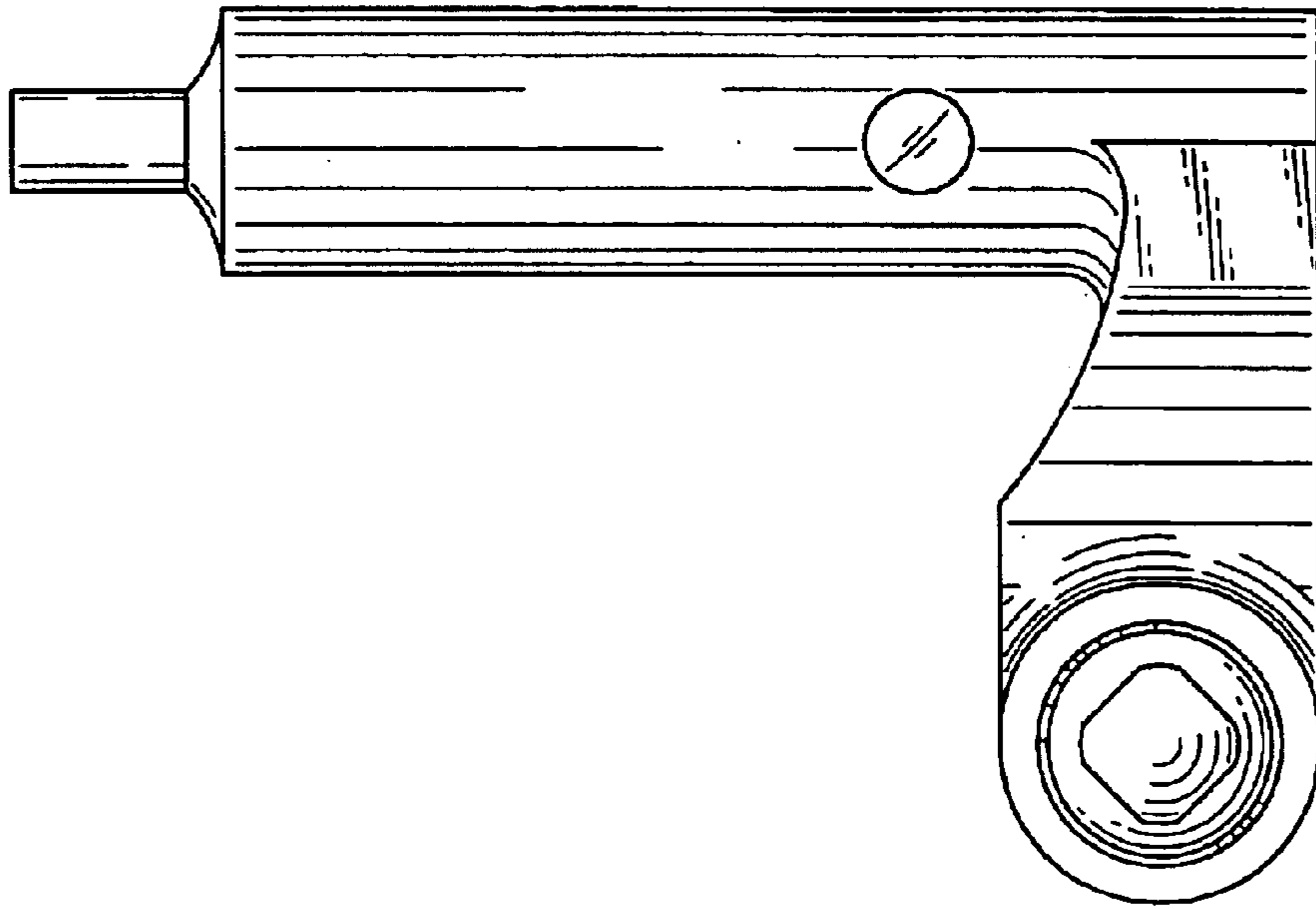


FIG. 3

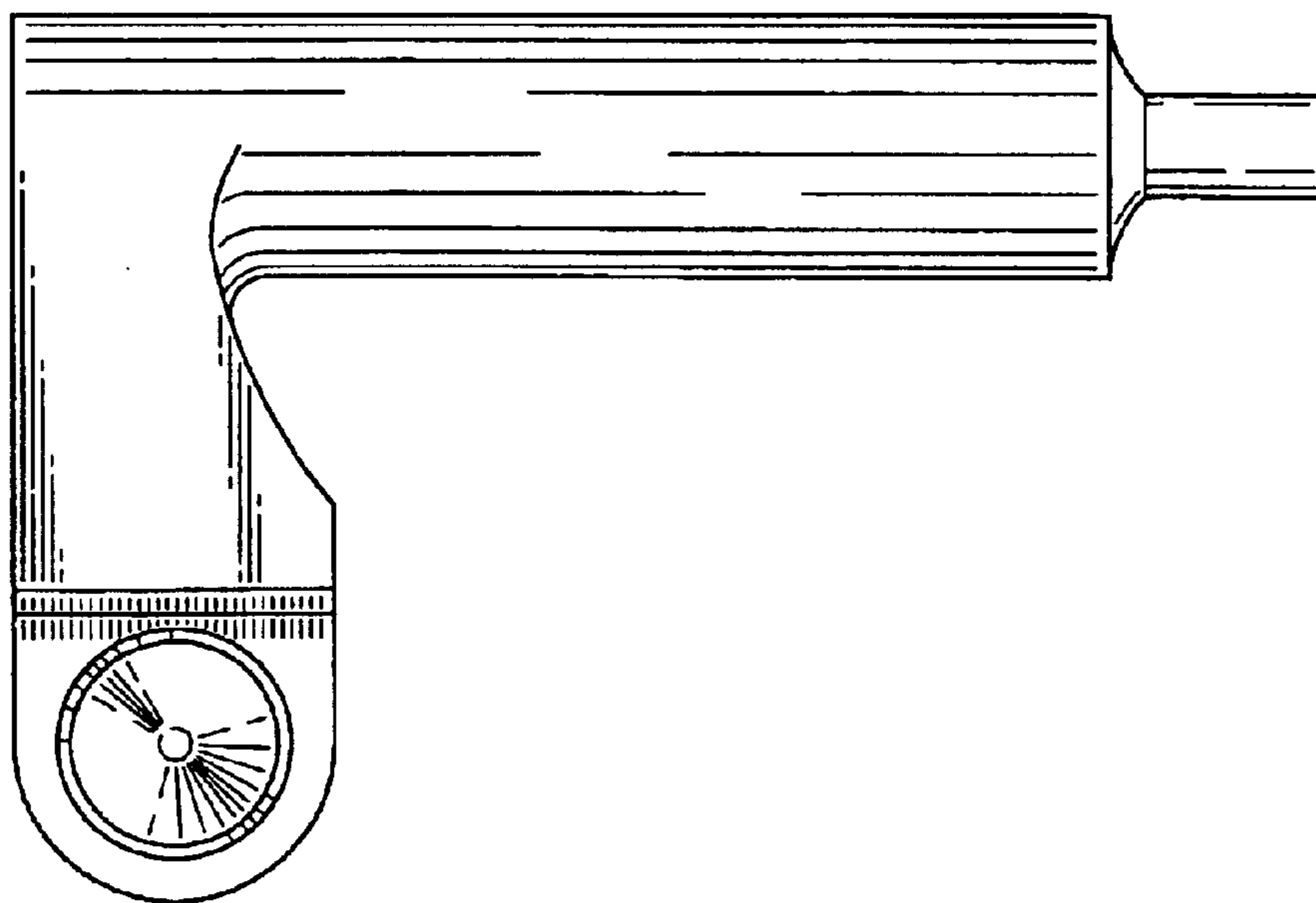


FIG. 4

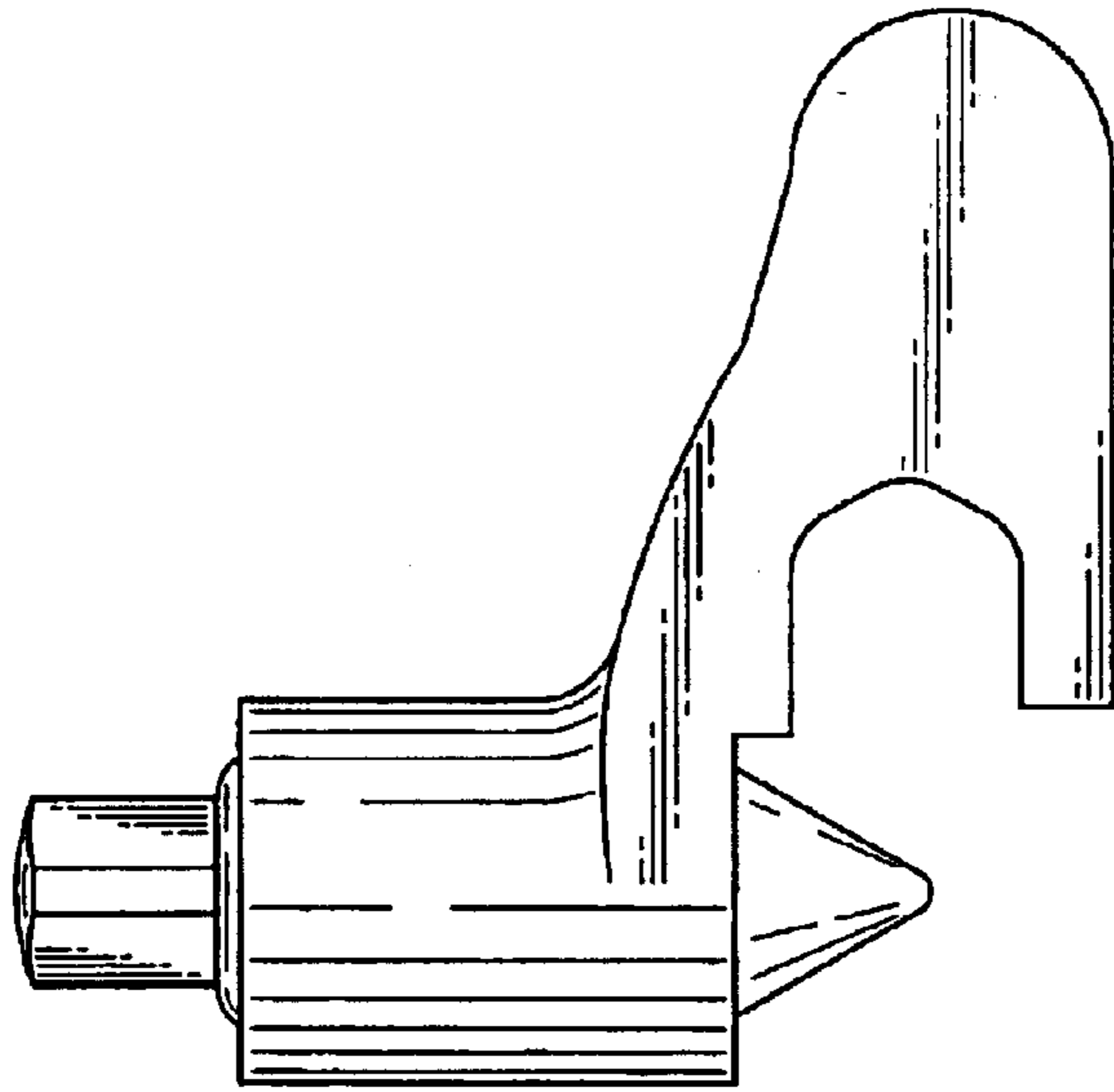


FIG. 5

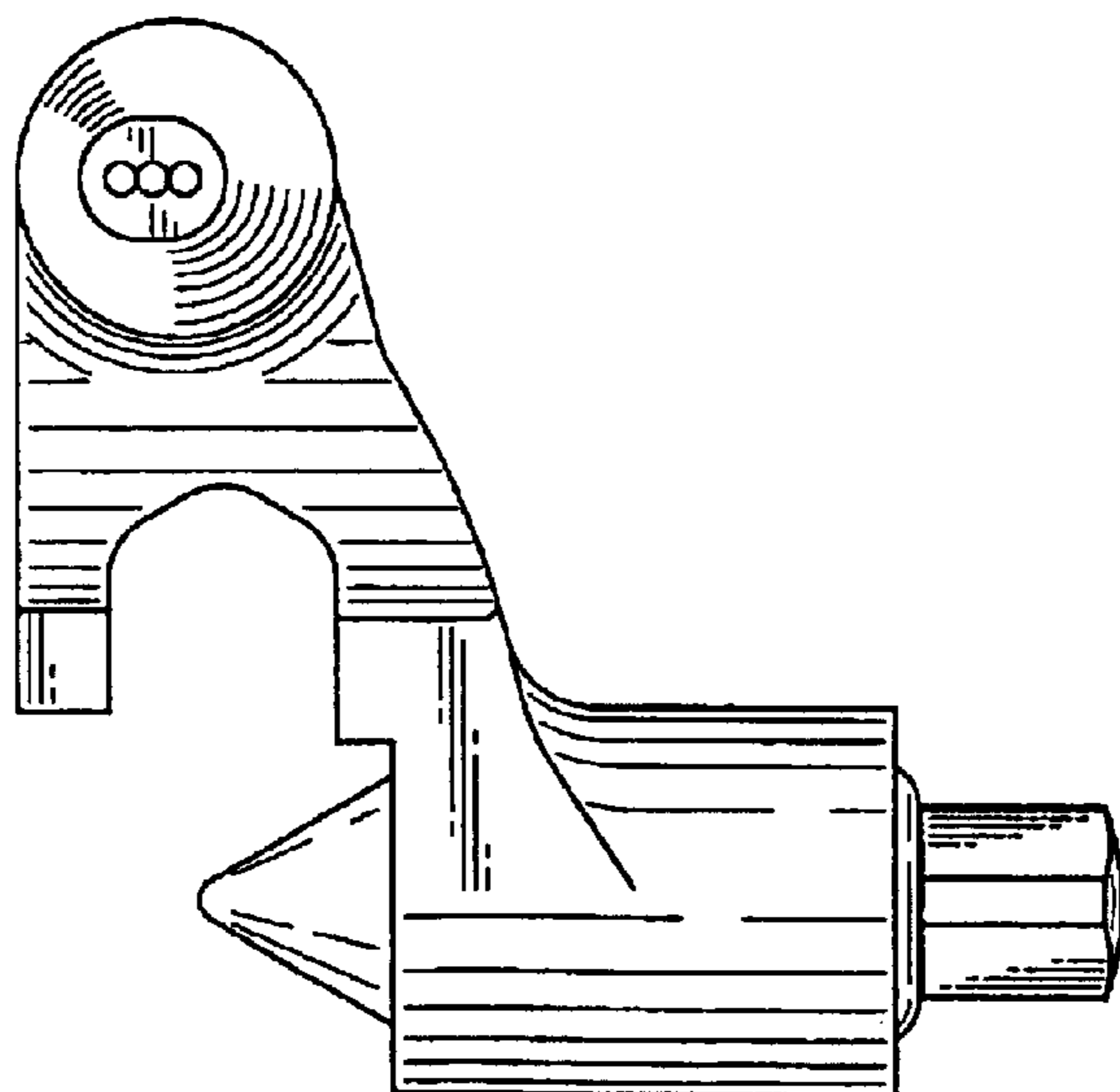


FIG. 6

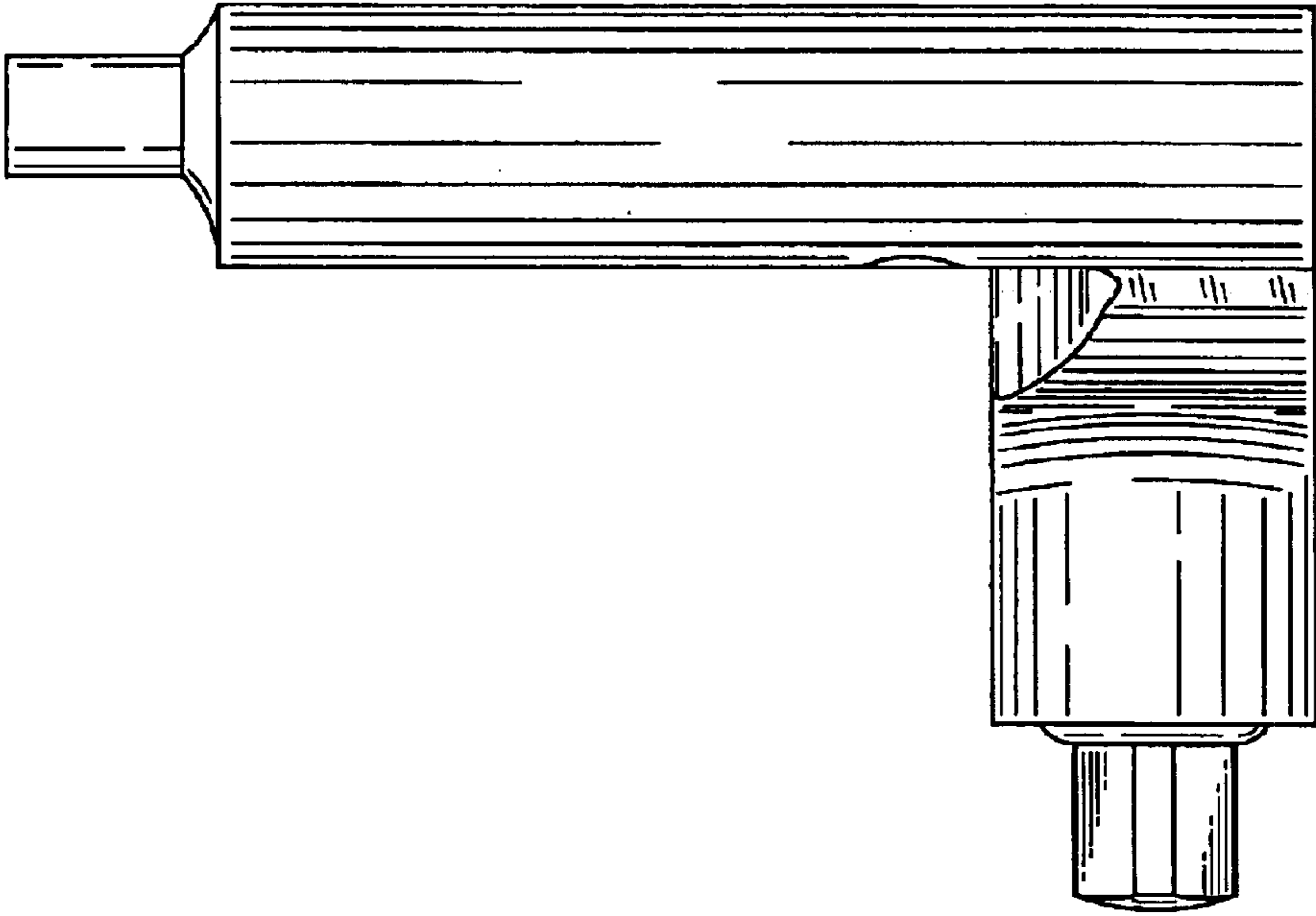


FIG. 7

