

US00D497345S1

(12) **United States Design Patent**  
**Kimura et al.**

(10) **Patent No.:** **US D497,345 S**  
(45) **Date of Patent:** **\*\* Oct. 19, 2004**

(54) **ELECTRICAL CONNECTOR**

(75) Inventors: **Akira Kimura**, Kokubunji (JP);  
**Masayuki Kikuchi**, Ome (JP)

(73) Assignee: **Japan Aviation Electronics Industry, Limited**, Tokyo (JP)

(\*\*) Term: **14 Years**

(21) Appl. No.: **29/197,819**

(22) Filed: **Jan. 21, 2004**

(30) **Foreign Application Priority Data**

Jul. 24, 2003 (JP) ..... 2003-024872

(51) **LOC (7) Cl.** ..... **13-03**

(52) **U.S. Cl.** ..... **D13/147**

(58) **Field of Search** ..... D13/147; 439/160,  
439/266, 476.1, 484, 660, 940

(56) **References Cited**

**U.S. PATENT DOCUMENTS**

6,126,479 A \* 10/2000 Lee ..... 439/484

6,416,354 B1 \* 7/2002 Lee ..... 439/484  
6,500,023 B1 \* 12/2002 Duong et al. .... 439/484  
D480,052 S \* 9/2003 Hisamatsu et al. .... D13/147

\* cited by examiner

*Primary Examiner*—Stella Reid  
*Assistant Examiner*—Selina Sikder

(74) *Attorney, Agent, or Firm*—Collard & Roe, P.C.

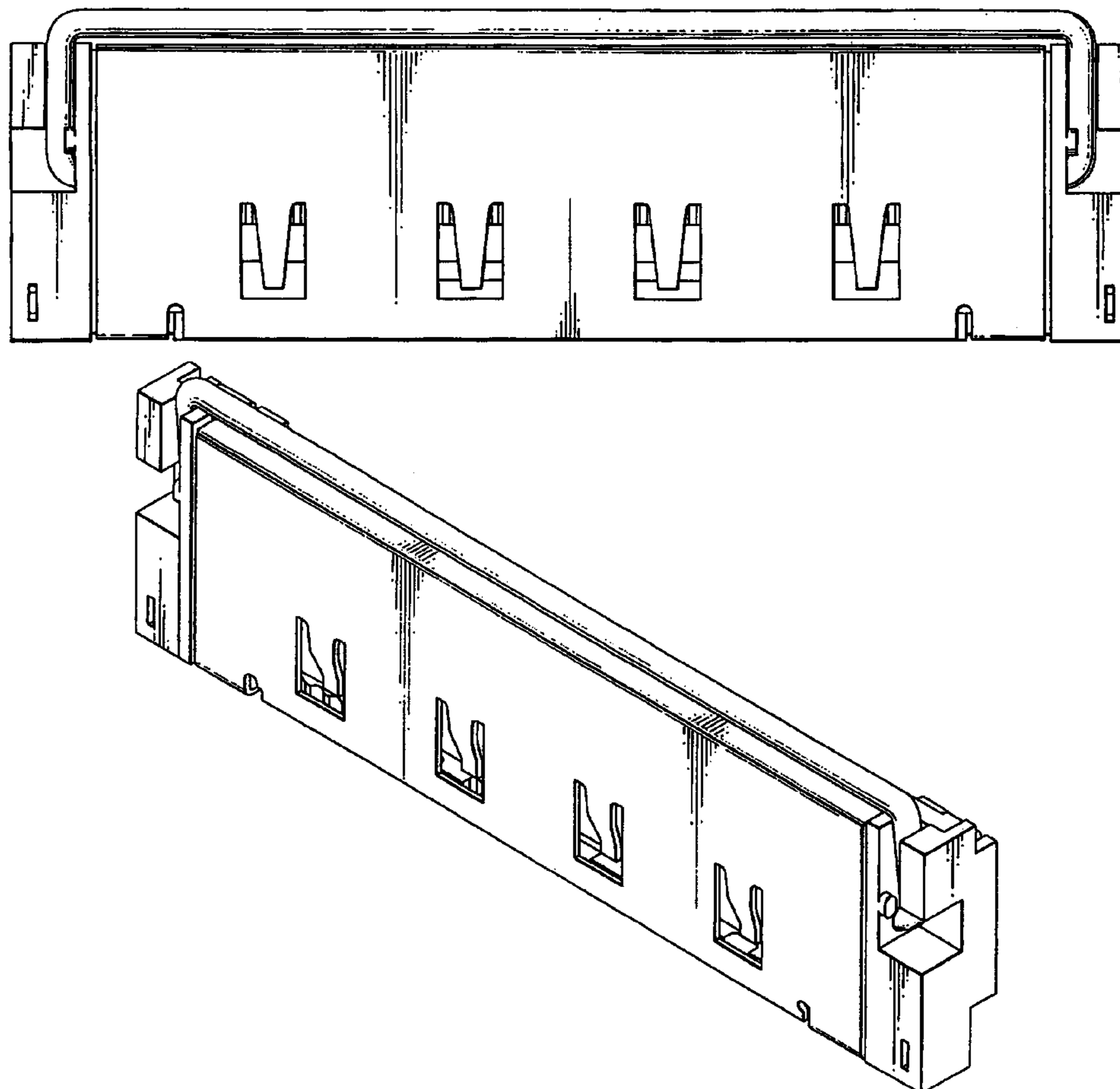
(57) **CLAIM**

The ornamental design for an electrical connector, as shown and described.

**DESCRIPTION**

FIG. 1 is a front elevational view of an electrical connector; FIG. 2 is a top plan view thereof; FIG. 3 is a bottom plan view thereof; FIG. 4 is a rear elevational view thereof; FIG. 5 is a right side elevational view thereof; and, FIG. 6 is a front, top, and right side perspective view thereof. A left side elevational view of the electrical connector is omitted because it is presented symmetrical to the right side elevational view of FIG. 5.

**1 Claim, 4 Drawing Sheets**



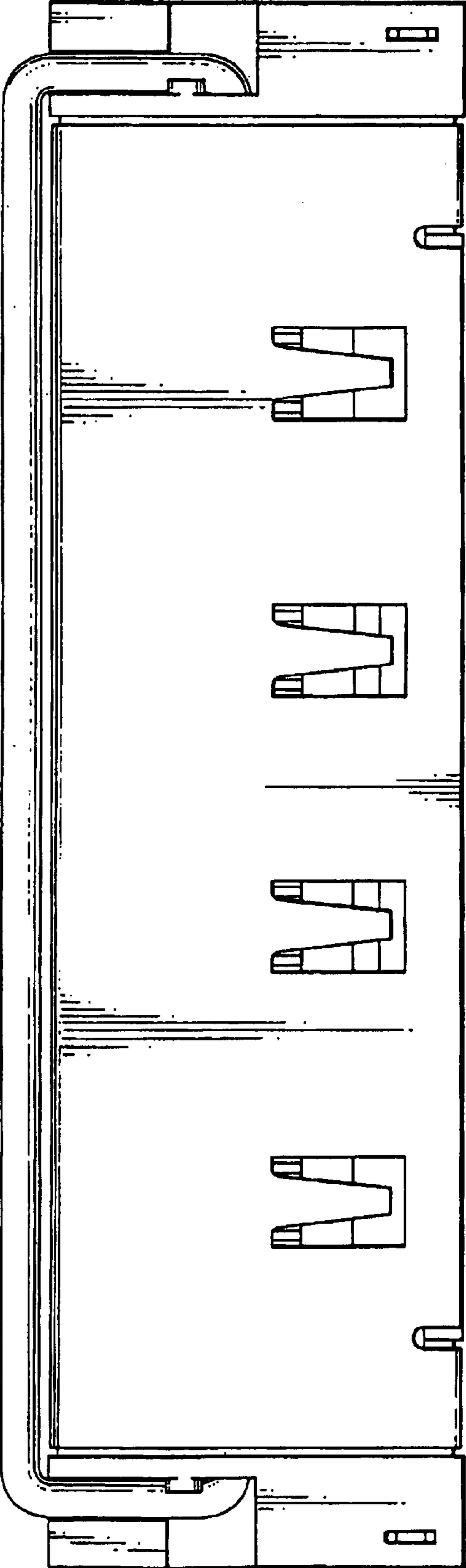


FIG. 1

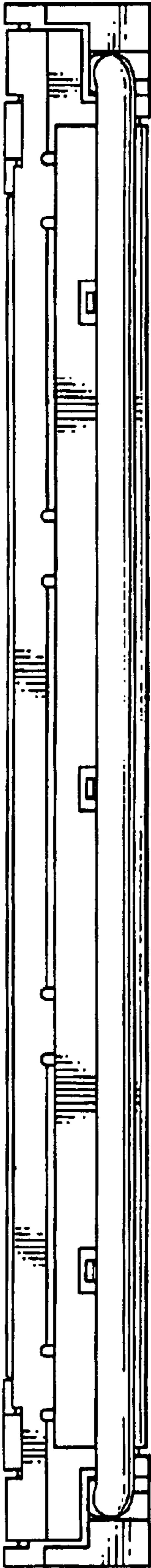


FIG. 2

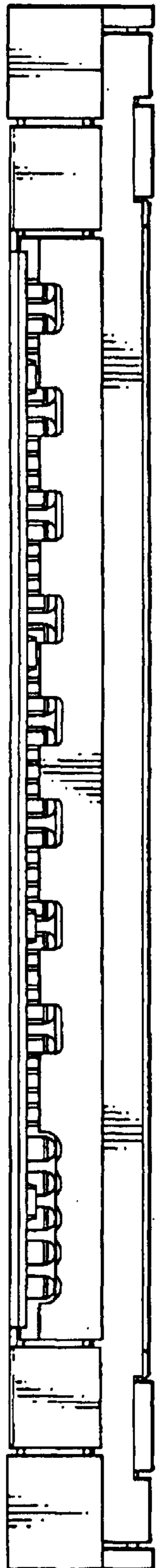


FIG. 3

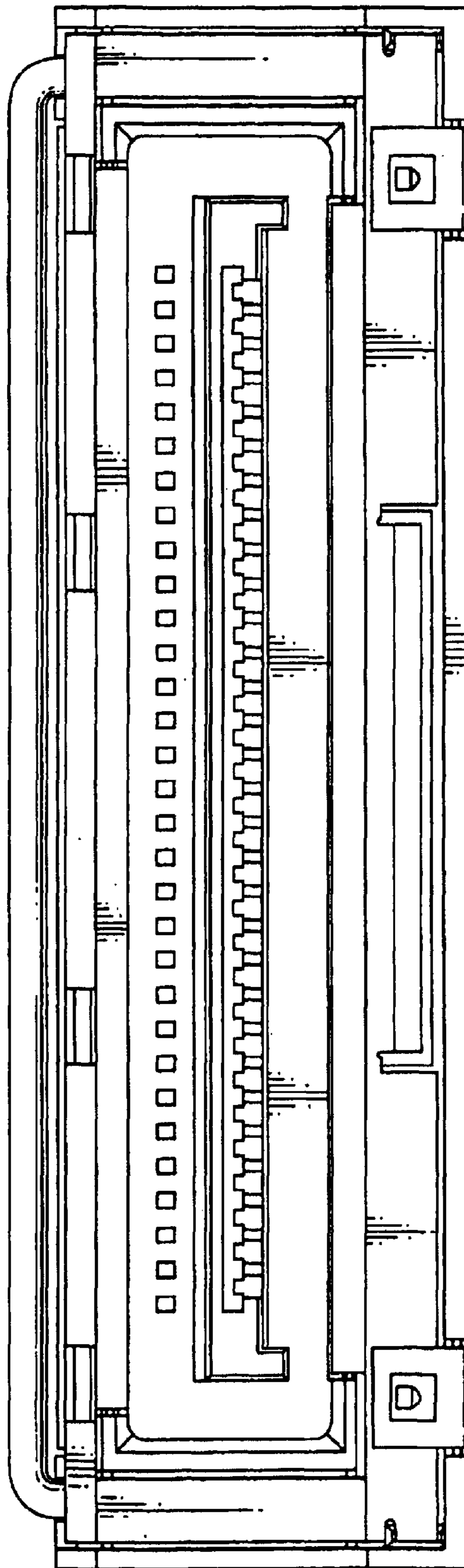


FIG. 4

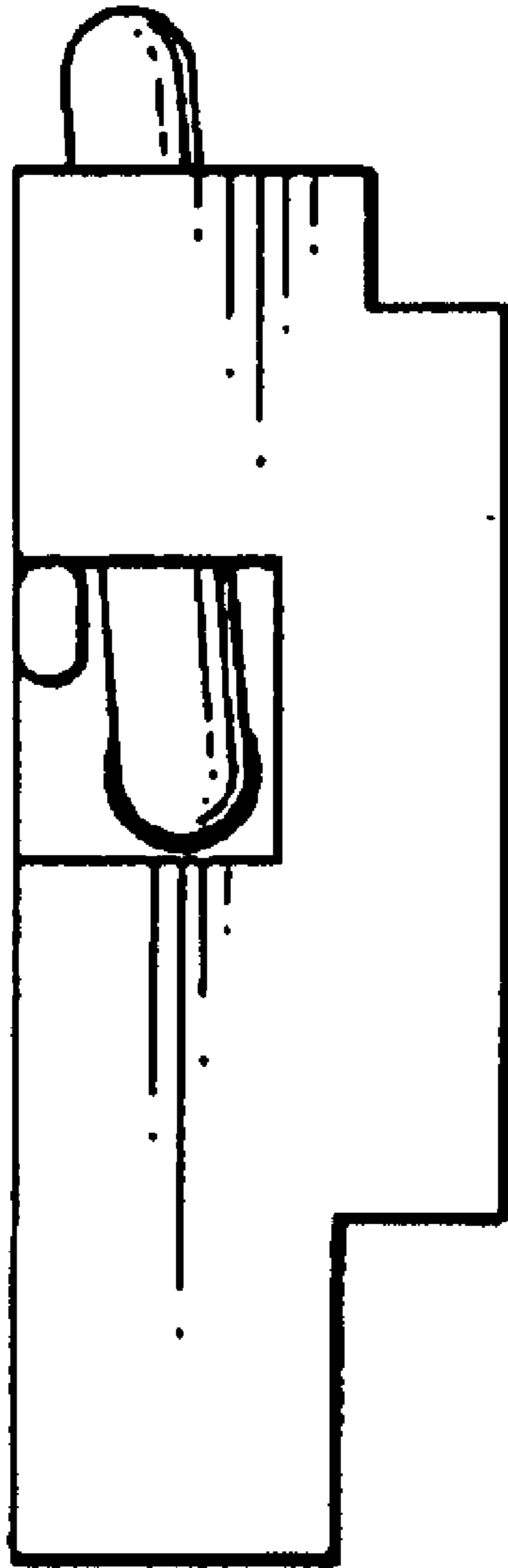


FIG. 5

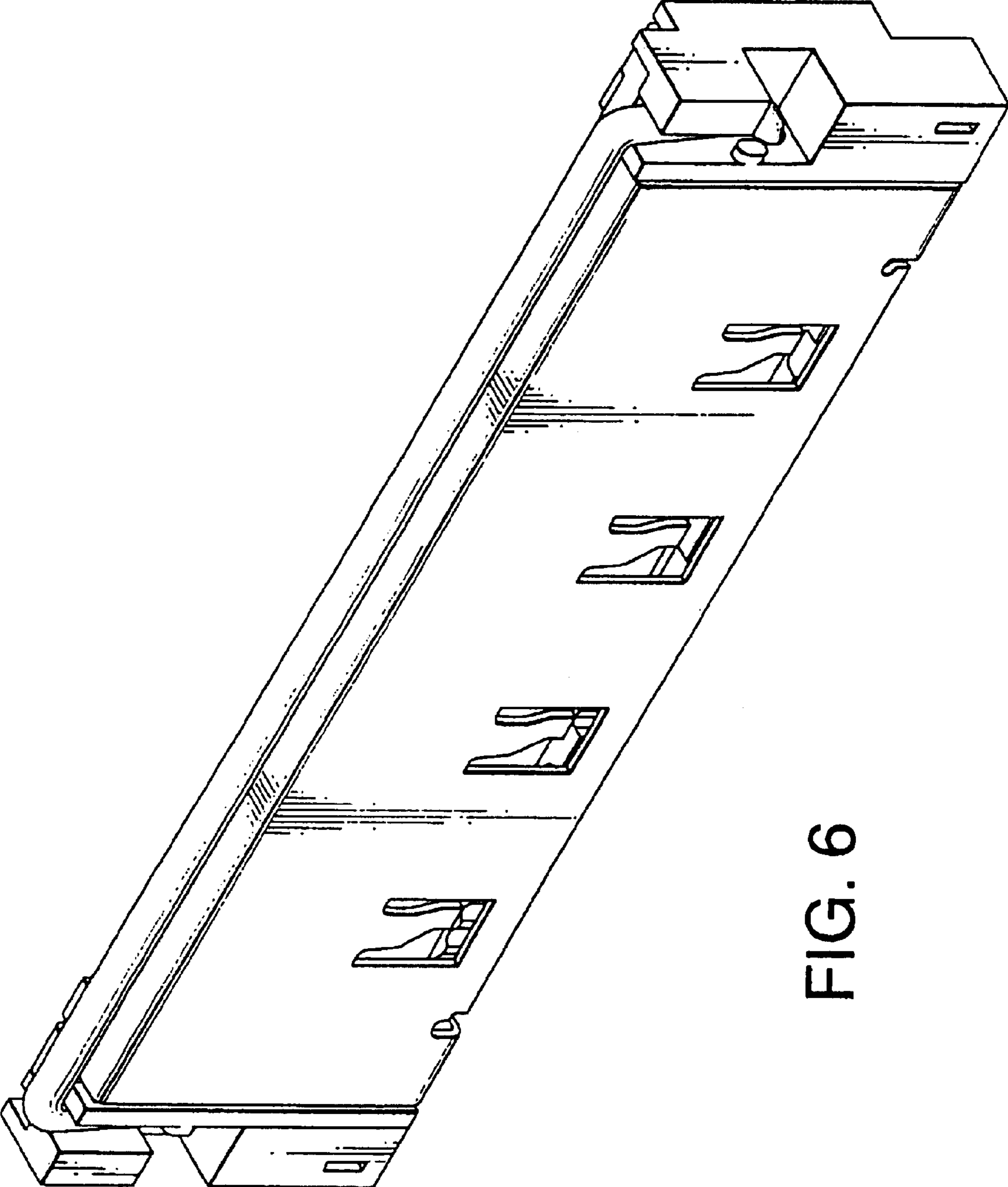


FIG. 6