

US00D497344S1

(12) **United States Design Patent**
Huang

(10) **Patent No.:** **US D497,344 S**
(45) **Date of Patent:** **** Oct. 19, 2004**

(54) **FLEXIBLE PRINTED CIRCUIT BOARD CONNECTOR**

6,648,668 B1 * 11/2003 Ko 439/353

* cited by examiner

(75) Inventor: **Chien Hsun Huang**, Tu-Chen (TW)

Primary Examiner—Prabhakar Deshmukh

Assistant Examiner—Selina Sikder

(73) Assignee: **Hon Hai Precision Ind. Co., Ltd.**,
Taipei Hsien (TW)

(74) *Attorney, Agent, or Firm*—Wei Te Chung

(**) Term: **14 Years**

(57) **CLAIM**

The ornamental design for a flexible printed circuit board connector, as shown and described.

(21) Appl. No.: **29/191,239**

(22) Filed: **Oct. 1, 2003**

DESCRIPTION

(51) **LOC (7) Cl.** **13-03**

FIG. 1 is a perspective view of a flexible printed circuit board connector of our new design;

(52) **U.S. Cl.** **D13/147**

FIG. 2 is a front elevational view thereof;

(58) **Field of Search** D13/147; 439/62,
439/260, 329, 353, 395, 422, 495, 499,
607-610

FIG. 3 is a rear elevational view thereof;

FIG. 4 is a left side elevational view thereof;

FIG. 5 is a right side elevational view thereof;

FIG. 6 is a top plan view thereof;

FIG. 7 is a bottom plan view thereof;

FIG. 8 is an enlarged view of a circled portion 8 of FIG. 2; and,

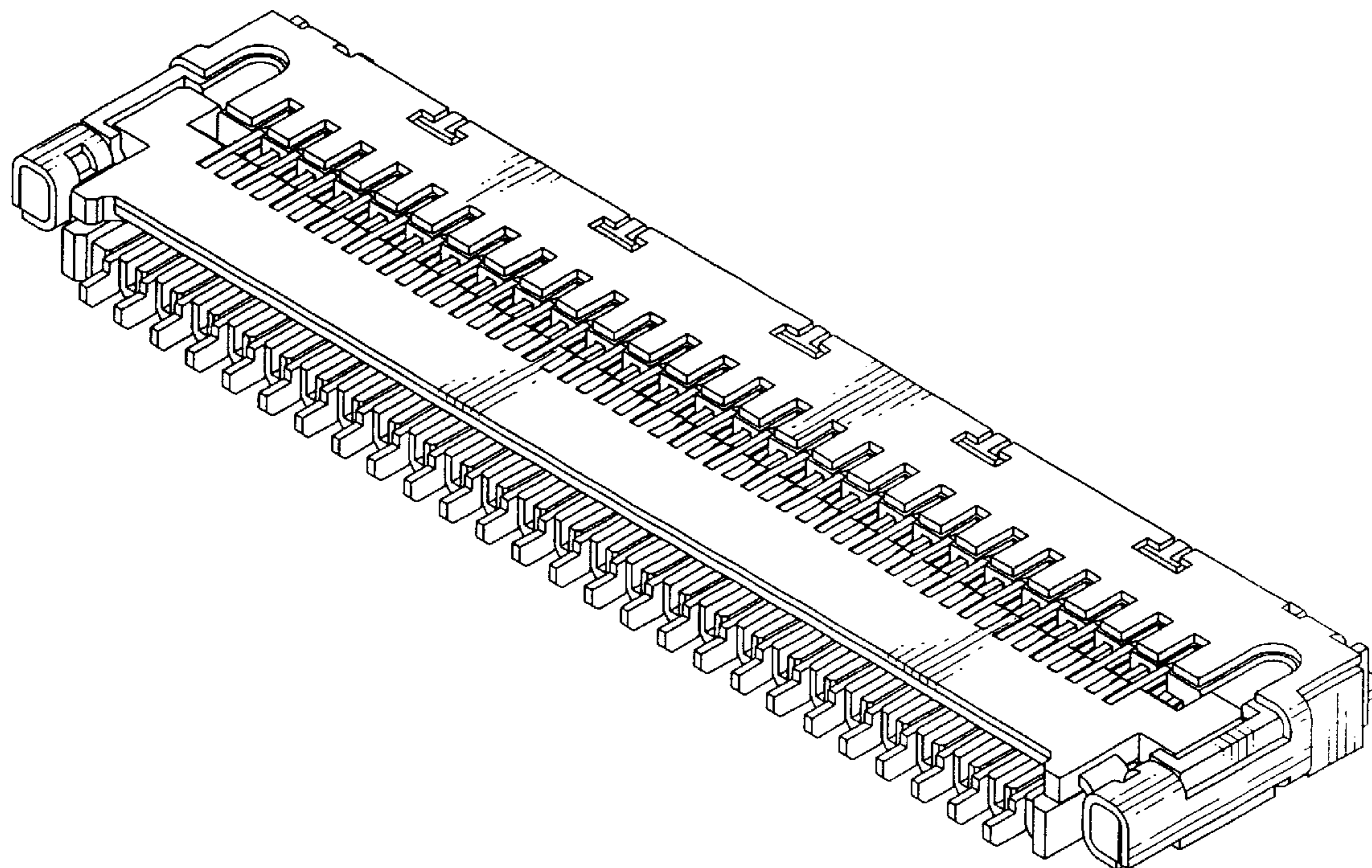
FIG. 9 is an enlarged view of a circled portion 9 of FIG. 3.

(56) **References Cited**

U.S. PATENT DOCUMENTS

- 6,146,171 A * 11/2000 Kunishi et al. 439/260
- 6,276,958 B1 * 8/2001 Chih 439/495
- 6,419,524 B1 * 7/2002 Ma 439/607
- 6,475,026 B1 * 11/2002 Tseng et al. 439/495
- D482,327 S * 11/2003 Saito et al. D13/147

1 Claim, 6 Drawing Sheets



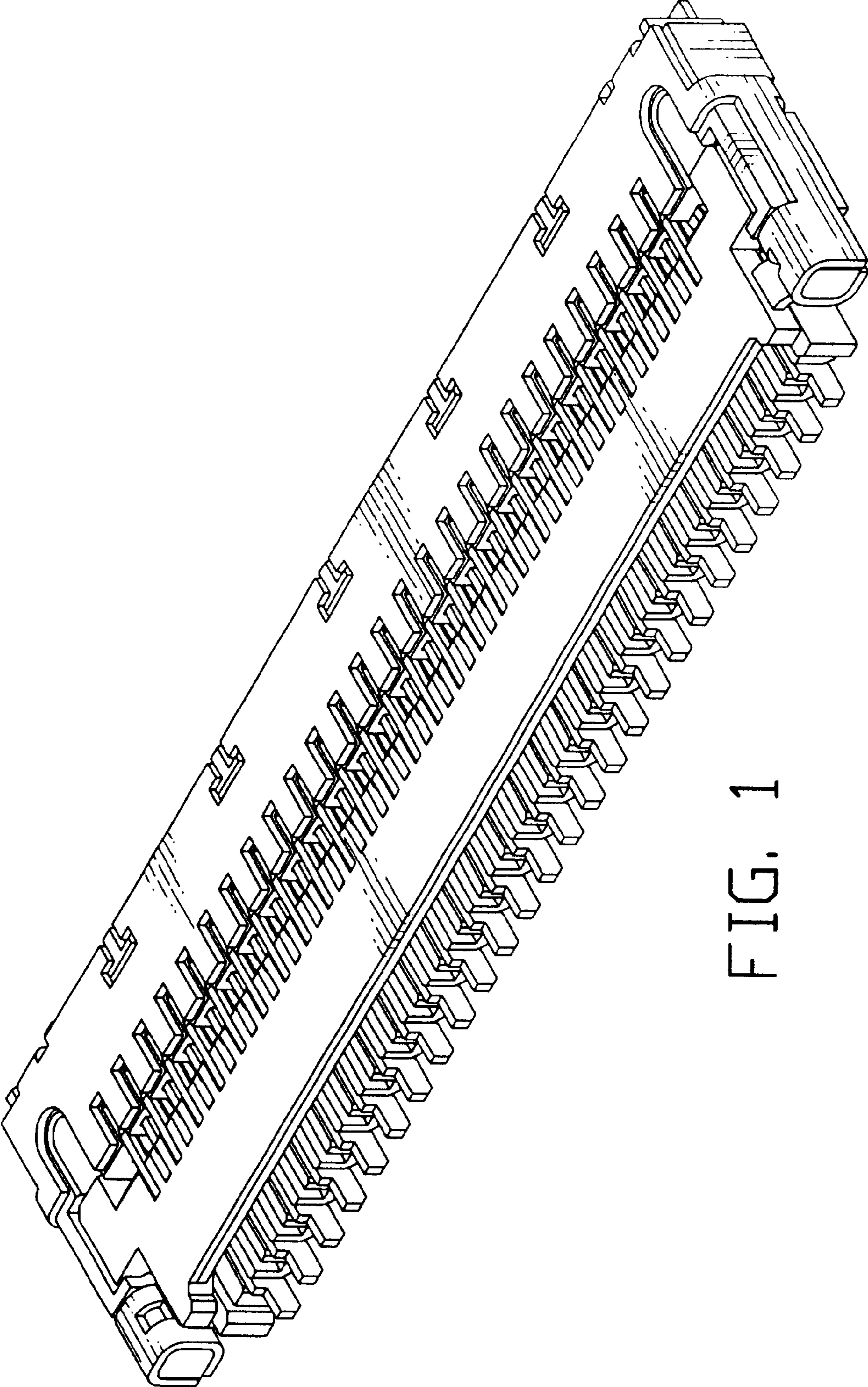


FIG. 1

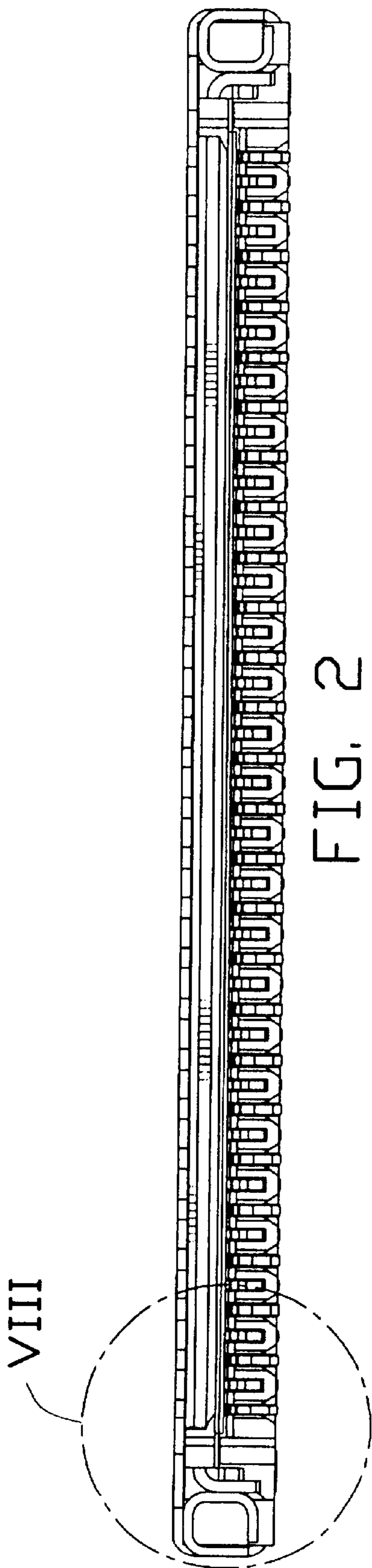


FIG. 2

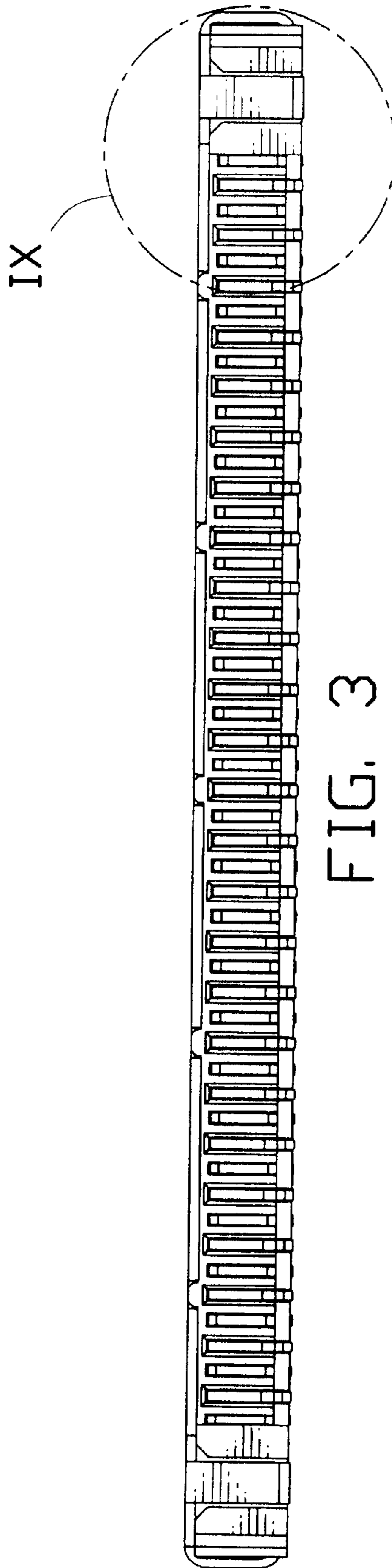


FIG. 3

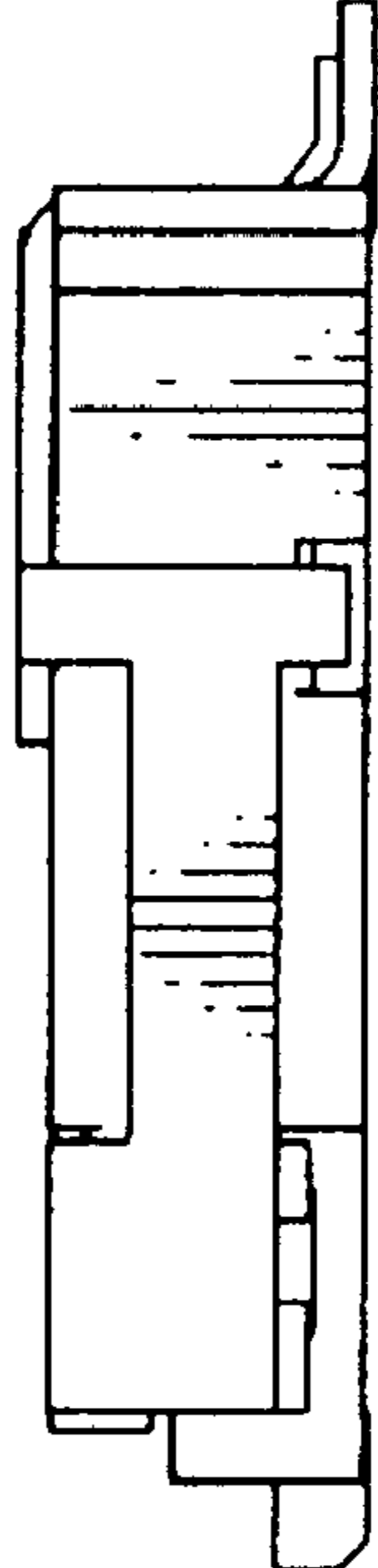


FIG. 5

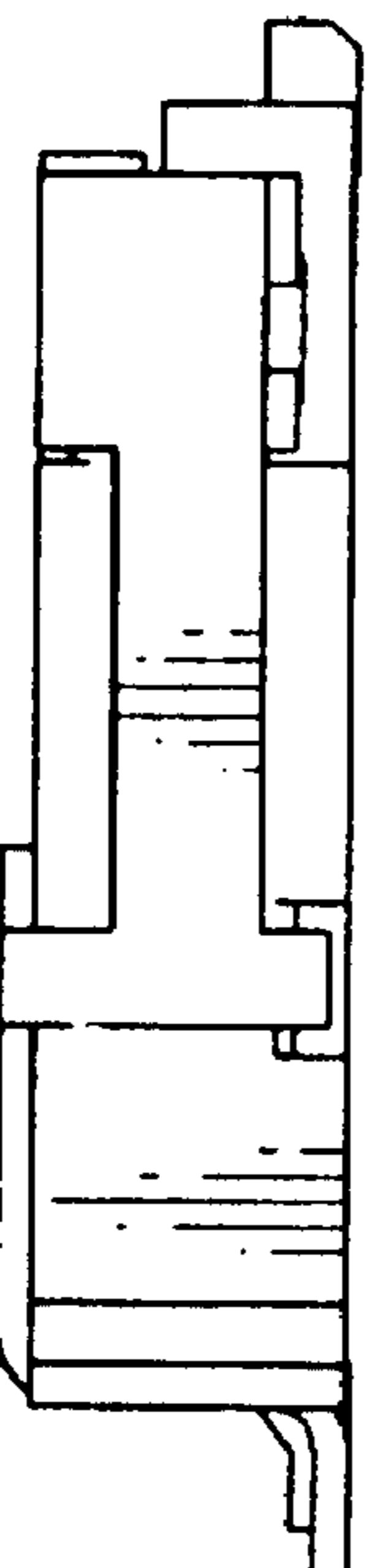


FIG. 4

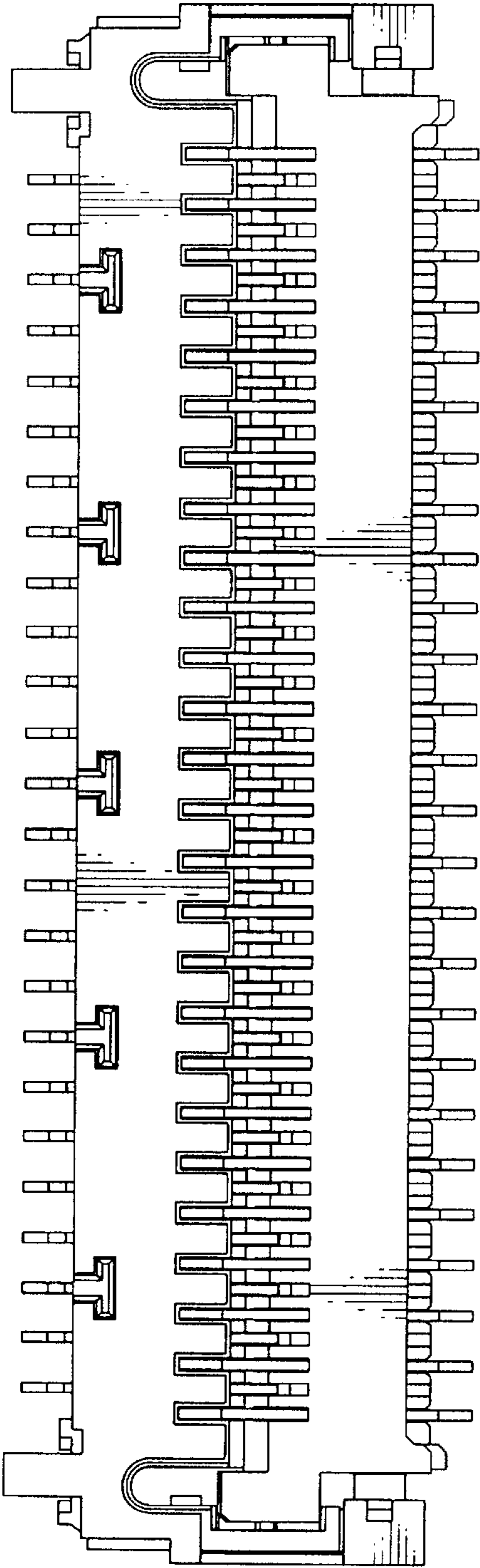


FIG. 6

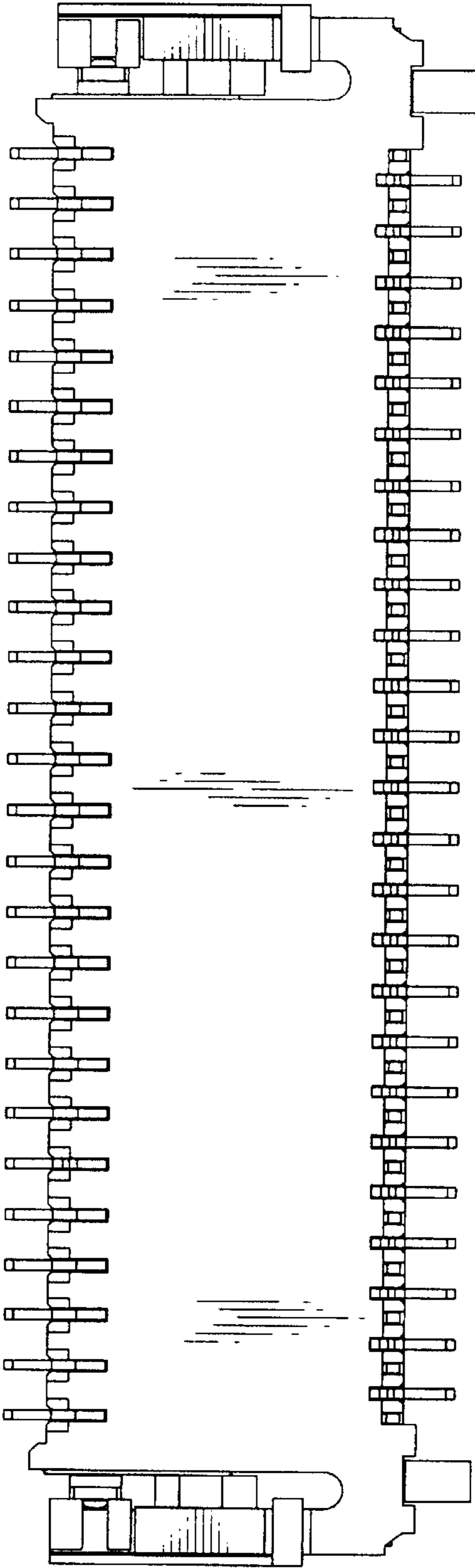


FIG. 7

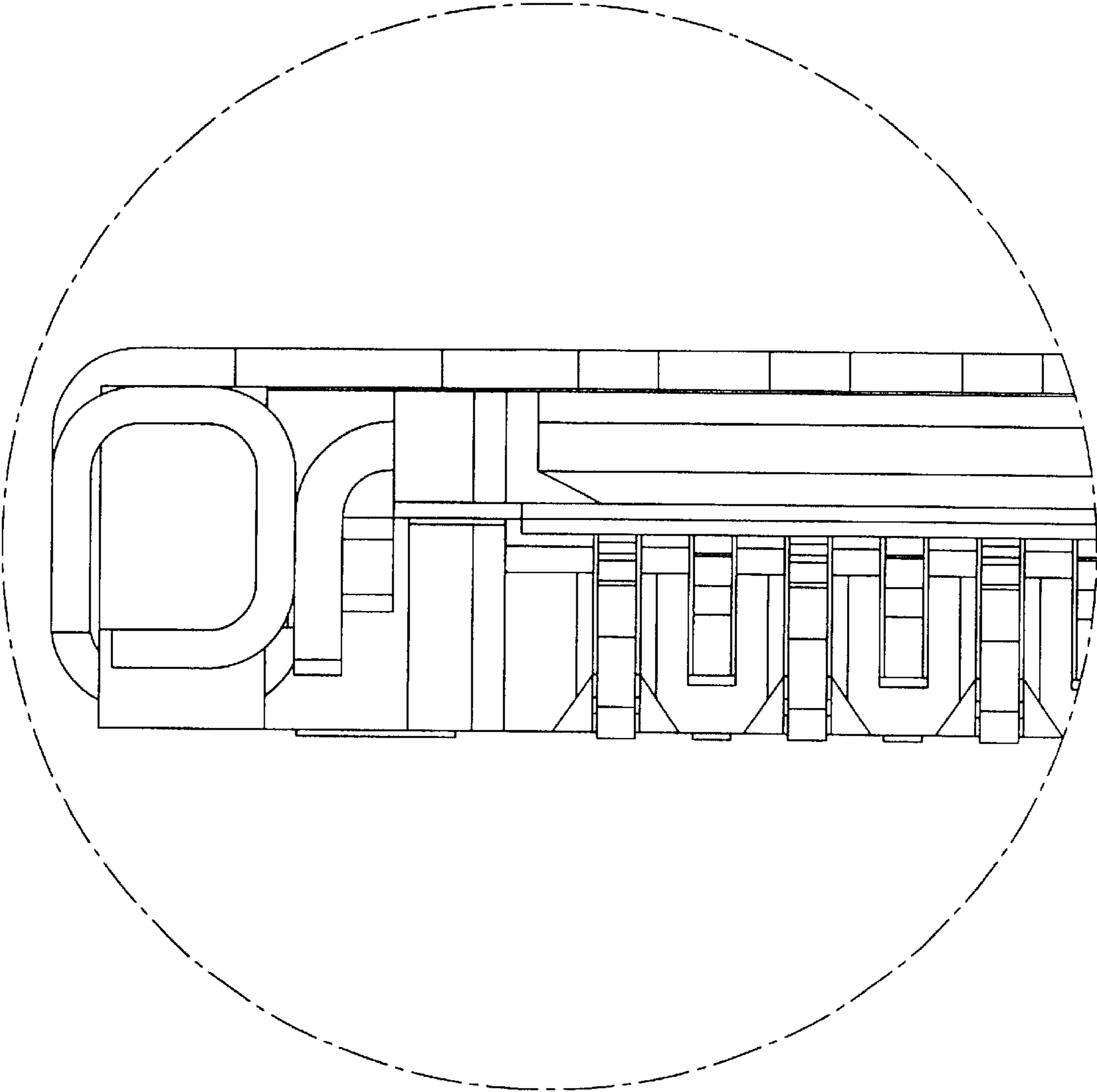


FIG. 8

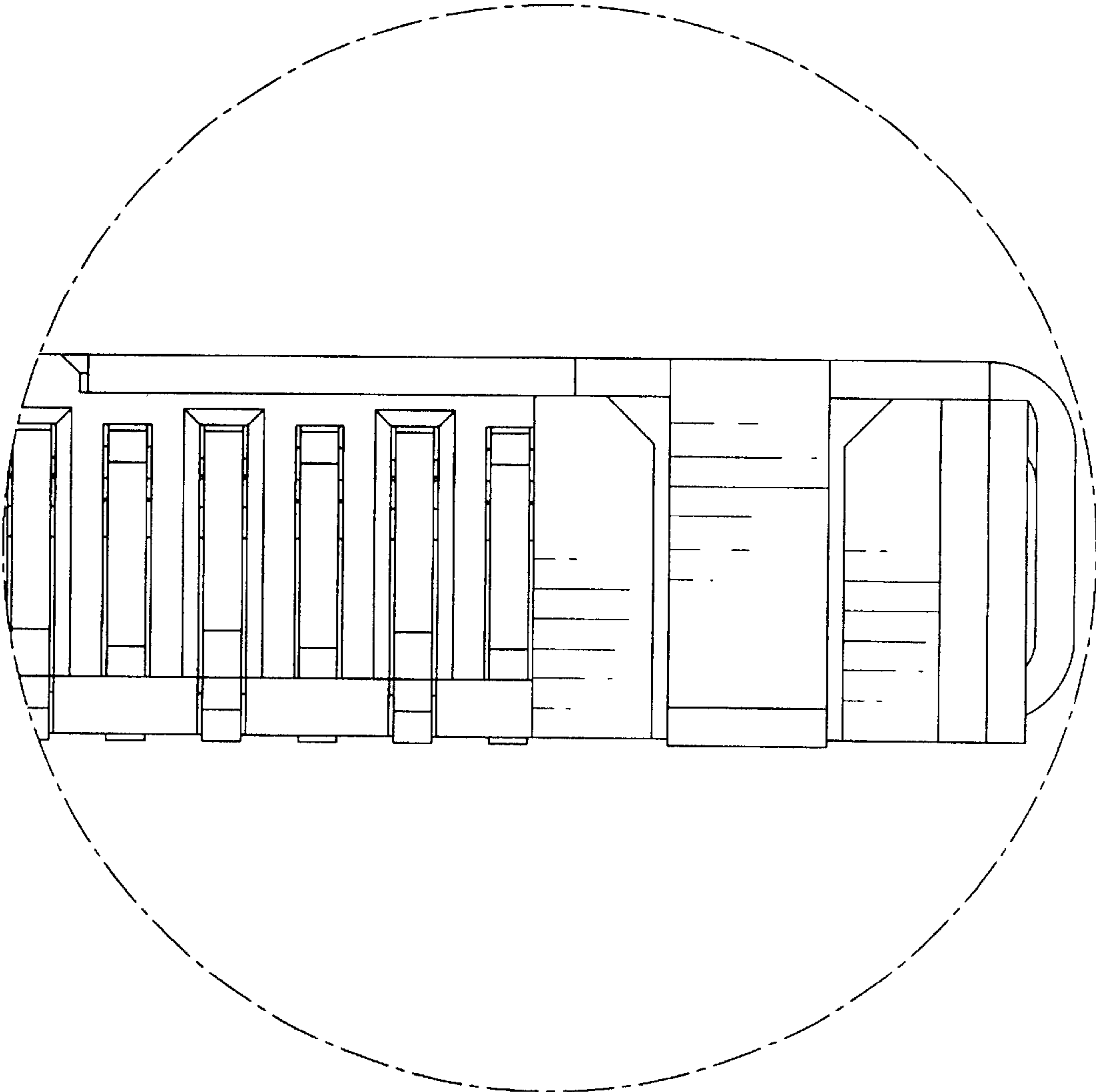


FIG. 9