

US00D497339S1

(12) **United States Design Patent**
Heinrich

(10) **Patent No.:** **US D497,339 S**
(45) **Date of Patent:** **** Oct. 19, 2004**

(54) **FRONT FACE OF A VEHICLE WHEEL**

(75) **Inventor:** **Robert Heinrich, Weissach (DE)**

(73) **Assignee:** **Dr. Ing. h.c.f. Porsche
Aktiengesellschaft, Stuttgart (DE)**

(**) **Term:** **14 Years**

(21) **Appl. No.:** **29/172,778**

(22) **Filed:** **Dec. 18, 2002**

(30) **Foreign Application Priority Data**

Jun. 19, 2002 (DE) 402 05 021

(51) **LOC (7) Cl.** **12-16**

(52) **U.S. Cl.** **D12/209**

(58) **Field of Search** D12/204-213;
301/37.101, 64.101, 65

(56) **References Cited**

U.S. PATENT DOCUMENTS

| | | | | | |
|------------|---|---------|------------------|-------|---------|
| D204,256 S | * | 4/1966 | Rader | | D12/211 |
| D302,264 S | * | 7/1989 | Soederberg | | D12/209 |
| D361,976 S | * | 9/1995 | Echazabal et al. | | D12/211 |
| D375,073 S | * | 10/1996 | Theiss | | D12/209 |
| D375,074 S | * | 10/1996 | Sacco et al. | | D12/209 |
| D401,205 S | * | 11/1998 | Fischer | | D12/209 |
| D412,149 S | * | 7/1999 | Corioni | | D12/211 |
| D412,479 S | * | 8/1999 | Sacco et al. | | D12/209 |

| | | | | | |
|------------|---|---------|----------------|-------|---------|
| D419,512 S | * | 1/2000 | Sacco et al. | | D12/209 |
| D419,940 S | * | 2/2000 | Sacco et al. | | D12/209 |
| D430,523 S | * | 9/2000 | Pfeiffer | | D12/209 |
| D451,458 S | * | 12/2001 | Sacco et al. | | D12/209 |
| D452,838 S | * | 1/2002 | Hieke | | D12/209 |
| D458,208 S | * | 6/2002 | Hartl | | D12/211 |
| D458,886 S | * | 6/2002 | Bhambra | | D12/209 |
| D460,941 S | * | 7/2002 | Muzzarelli | | D12/211 |
| D480,037 S | * | 9/2003 | Takechi | | D12/211 |
| D480,673 S | * | 10/2003 | Bhambra et al. | | D12/209 |
| D486,112 S | * | 2/2004 | Lecher | | D12/211 |
| D486,114 S | * | 2/2004 | Lai | | D12/211 |

* cited by examiner

Primary Examiner—Stacia Cadmus

(74) *Attorney, Agent, or Firm*—Crowell & Moring LLP

(57) **CLAIM**

The ornamental design for a front face of a vehicle wheel, as shown and described.

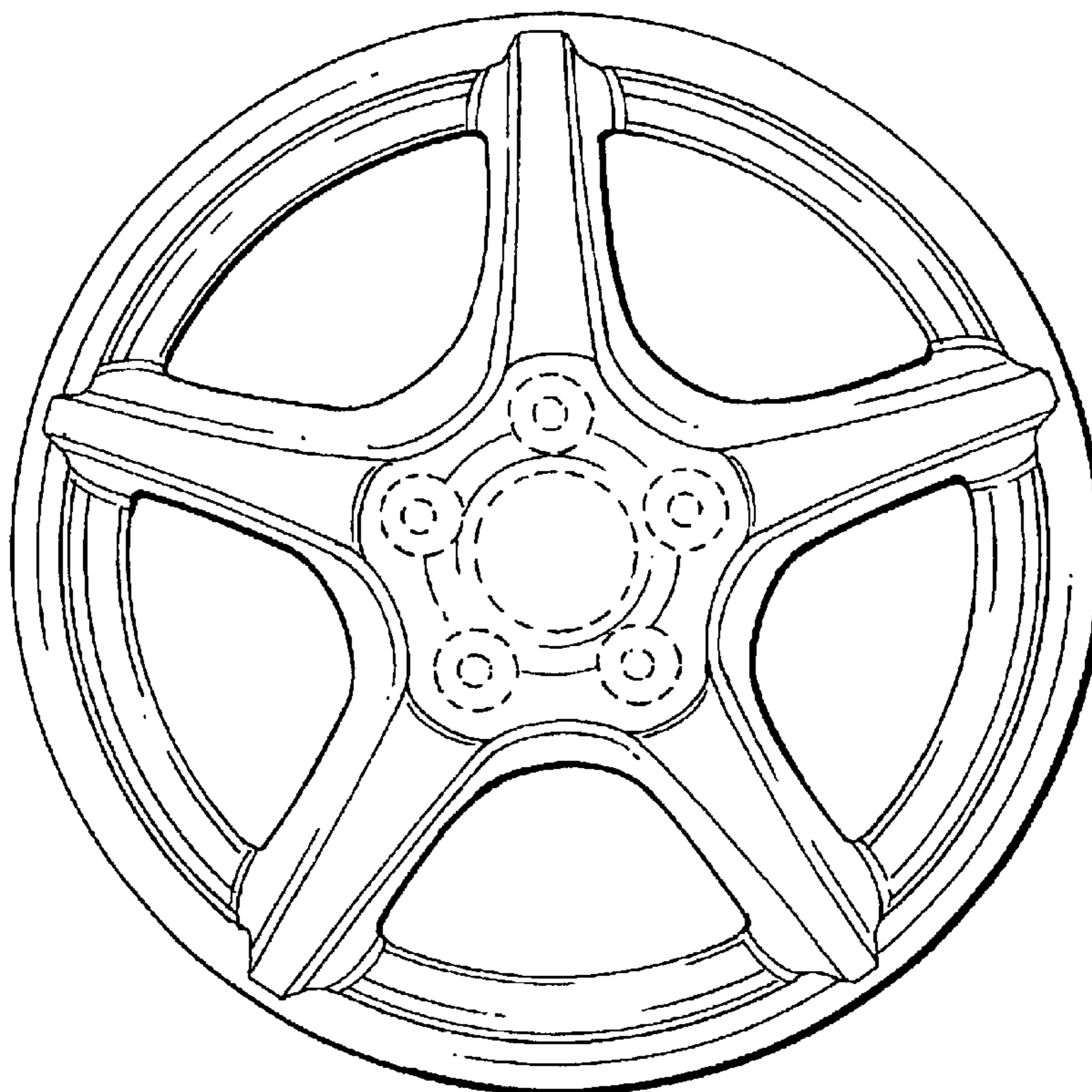
DESCRIPTION

FIG. 1 is a front view of a front face of a vehicle wheel according to my novel design; and,

FIG. 2 is a perspective view of the front face of a vehicle wheel according to my novel design.

The dash lines included depict environment and are not part of the claimed design.

1 Claim, 1 Drawing Sheet



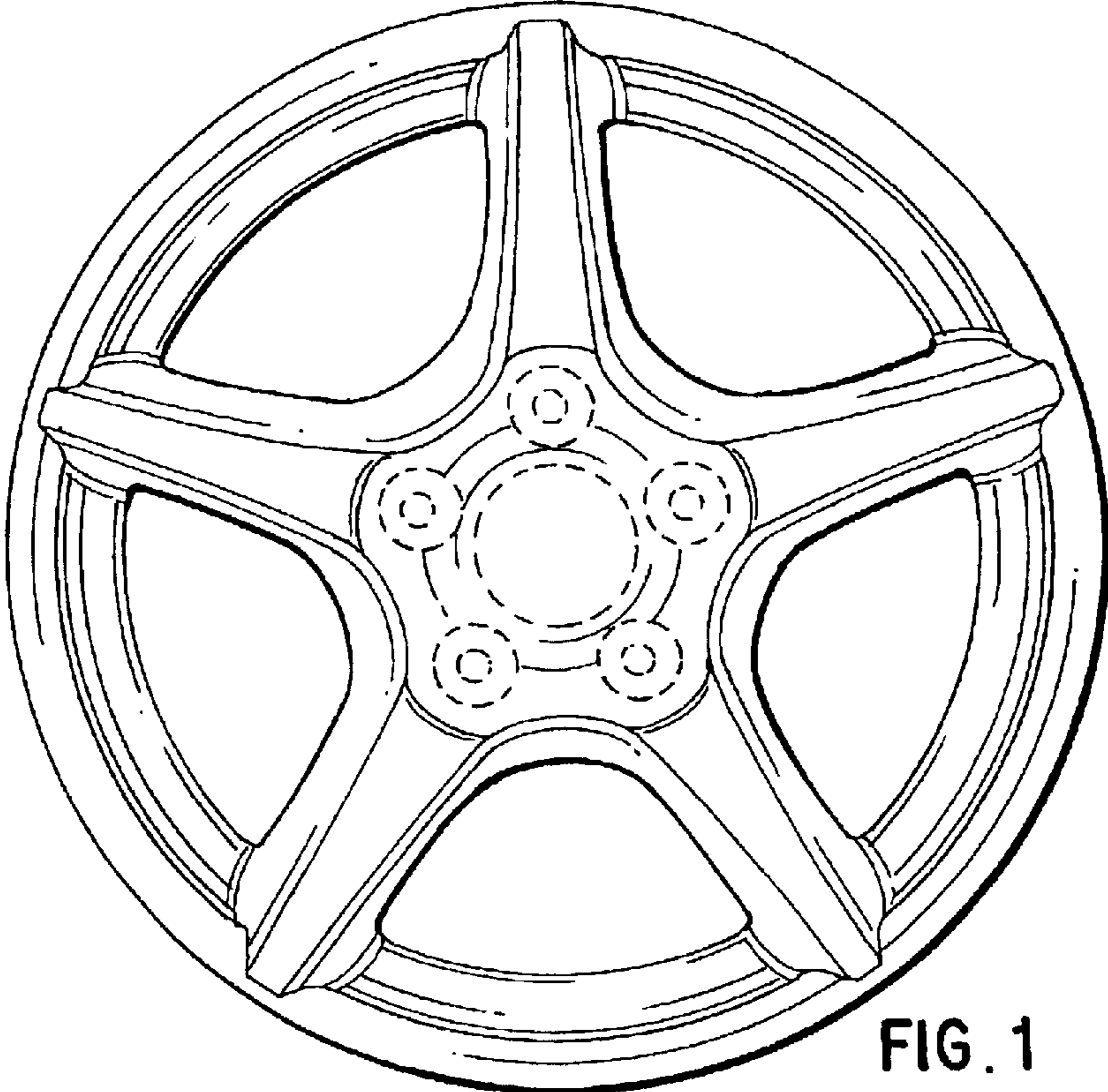


FIG. 1

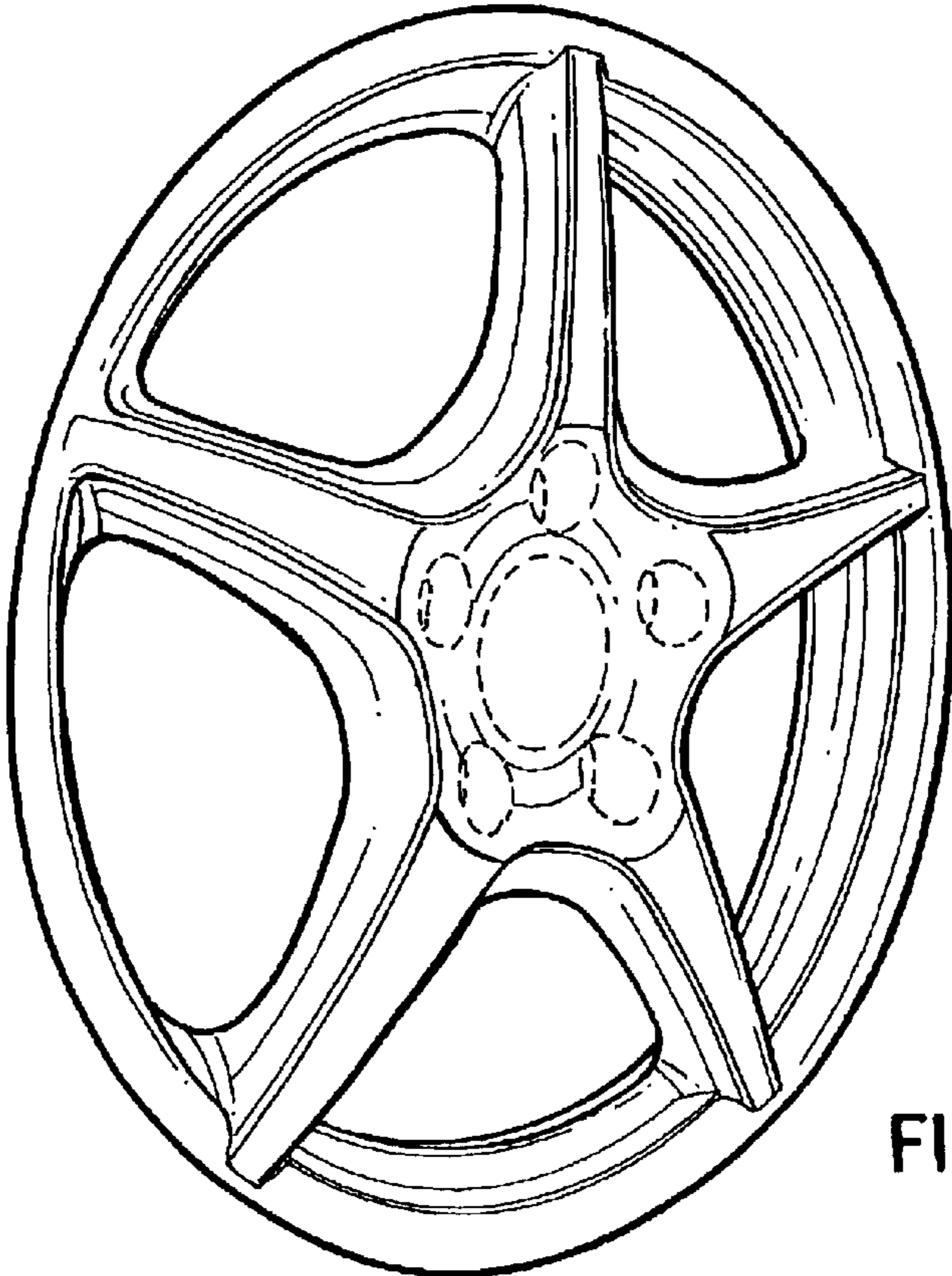


FIG. 2