



US00D497336S1

(12) **United States Design Patent**  
**James**

(10) **Patent No.:** **US D497,336 S**  
(45) **Date of Patent:** **\*\* Oct. 19, 2004**

(54) **MOTORCYCLE METER BEZEL**

(75) Inventor: **Jesse G James**, Surfside, CA (US)

(73) Assignee: **Honda Motor Co., Ltd.**, Tokyo (JP)

(\*\*) Term: **14 Years**

(21) Appl. No.: **29/195,194**

(22) Filed: **Dec. 9, 2003**

(51) **LOC (7) Cl.** ..... **12-16**

(52) **U.S. Cl.** ..... **D12/192**

(58) **Field of Search** ..... D12/110, 114,  
D12/126, 190, 192; D10/98, 102; 180/90,  
219; 280/281.1, 288.4, 304.3; 116/62.1,  
62.4, 300; 296/70

(56) **References Cited**

**U.S. PATENT DOCUMENTS**

D412,139 S \* 7/1999 Hanlon et al. .... D12/126

D456,754 S \* 5/2002 Keating ..... D12/192

\* cited by examiner

*Primary Examiner*—Alan P. Douglas

*Assistant Examiner*—Linda Brooks

(74) *Attorney, Agent, or Firm*—Plumsea Law Group, LLC

(57) **CLAIM**

The ornamental design for a motorcycle meter bezel, as shown and described.

**DESCRIPTION**

FIG. 1 is a perspective view of a motorcycle meter bezel showing my new design;

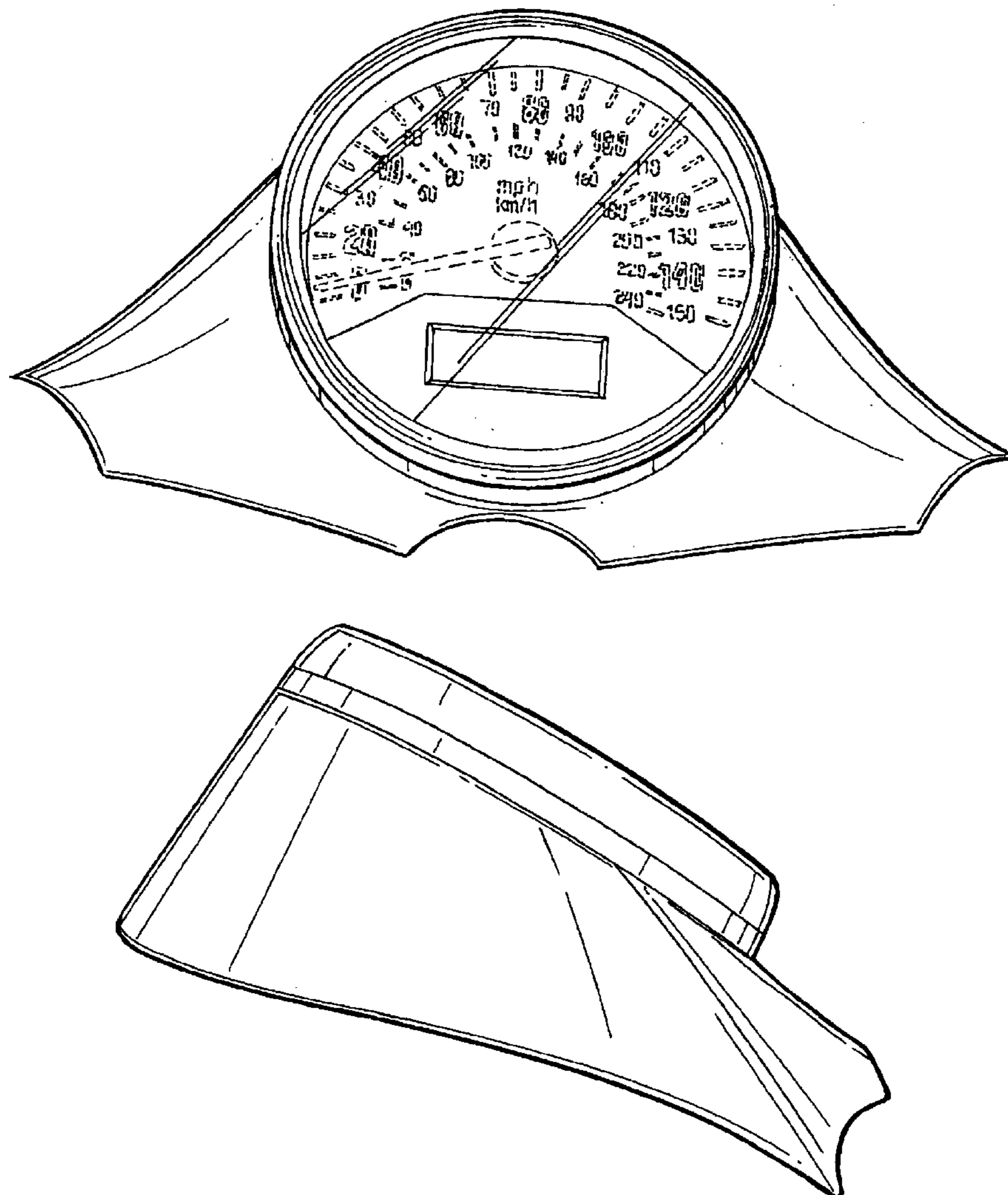
FIG. 2 is a front elevational view thereof;

FIG. 3 is a top plan view thereof; and,

FIG. 4 is a side elevational view thereof, the opposite side elevational view being a mirror image.

The broken line showings of the indicia on the face of the meter are for illustrative purposes only and form no part of the claimed invention.

**1 Claim, 2 Drawing Sheets**



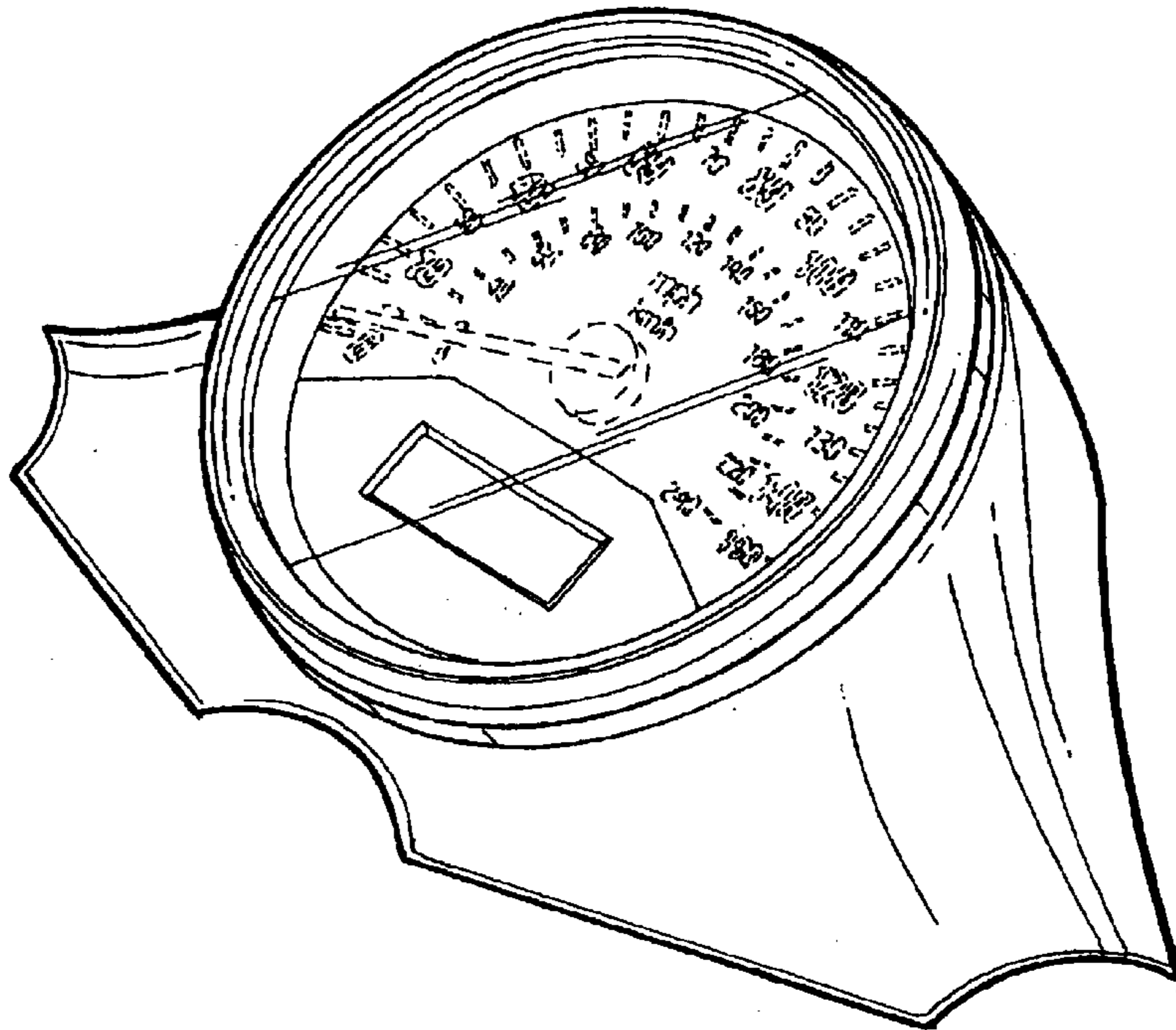


FIG. 1

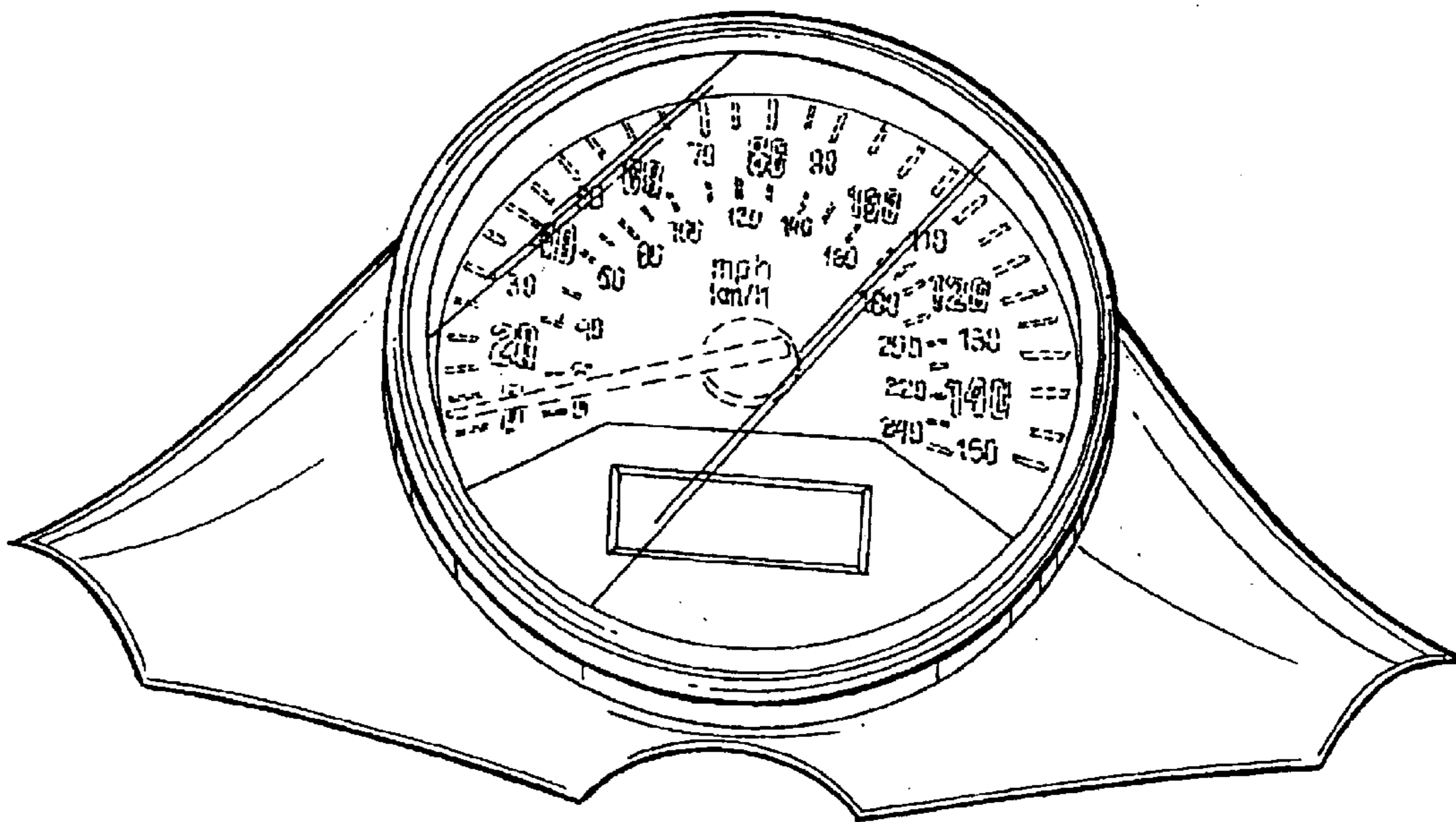


FIG. 2

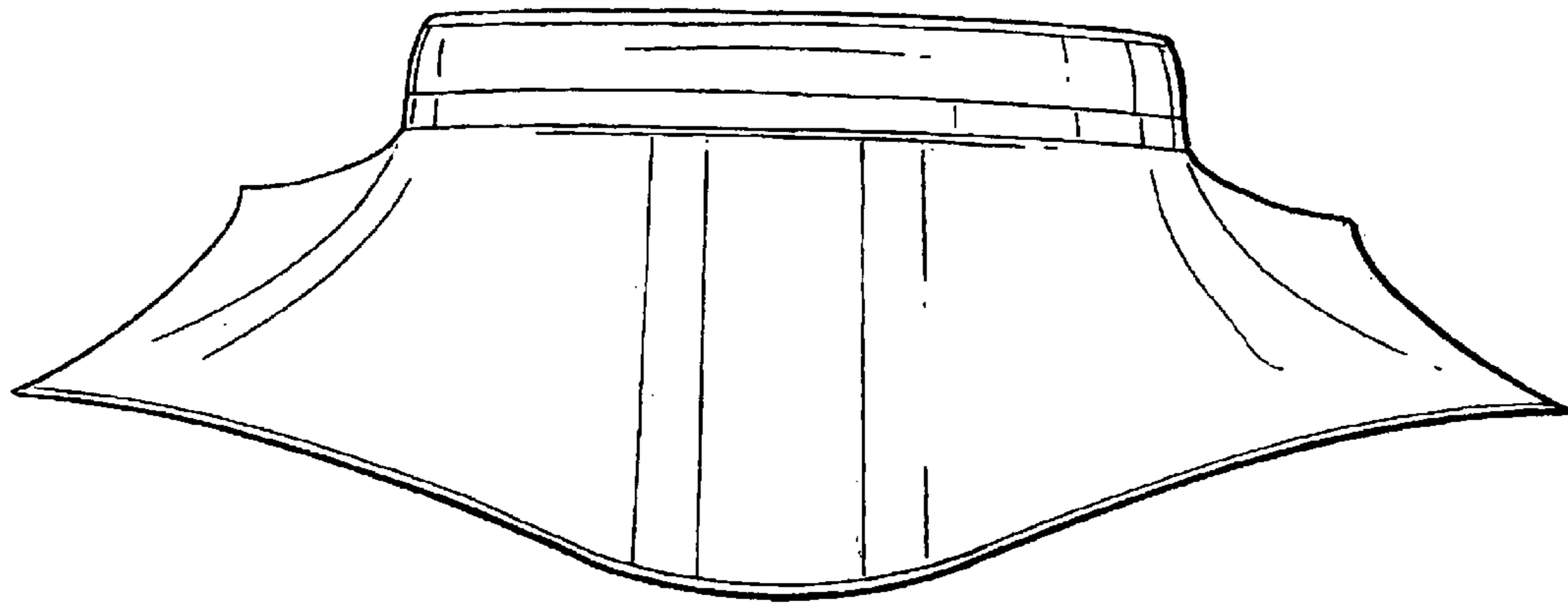


FIG. 3

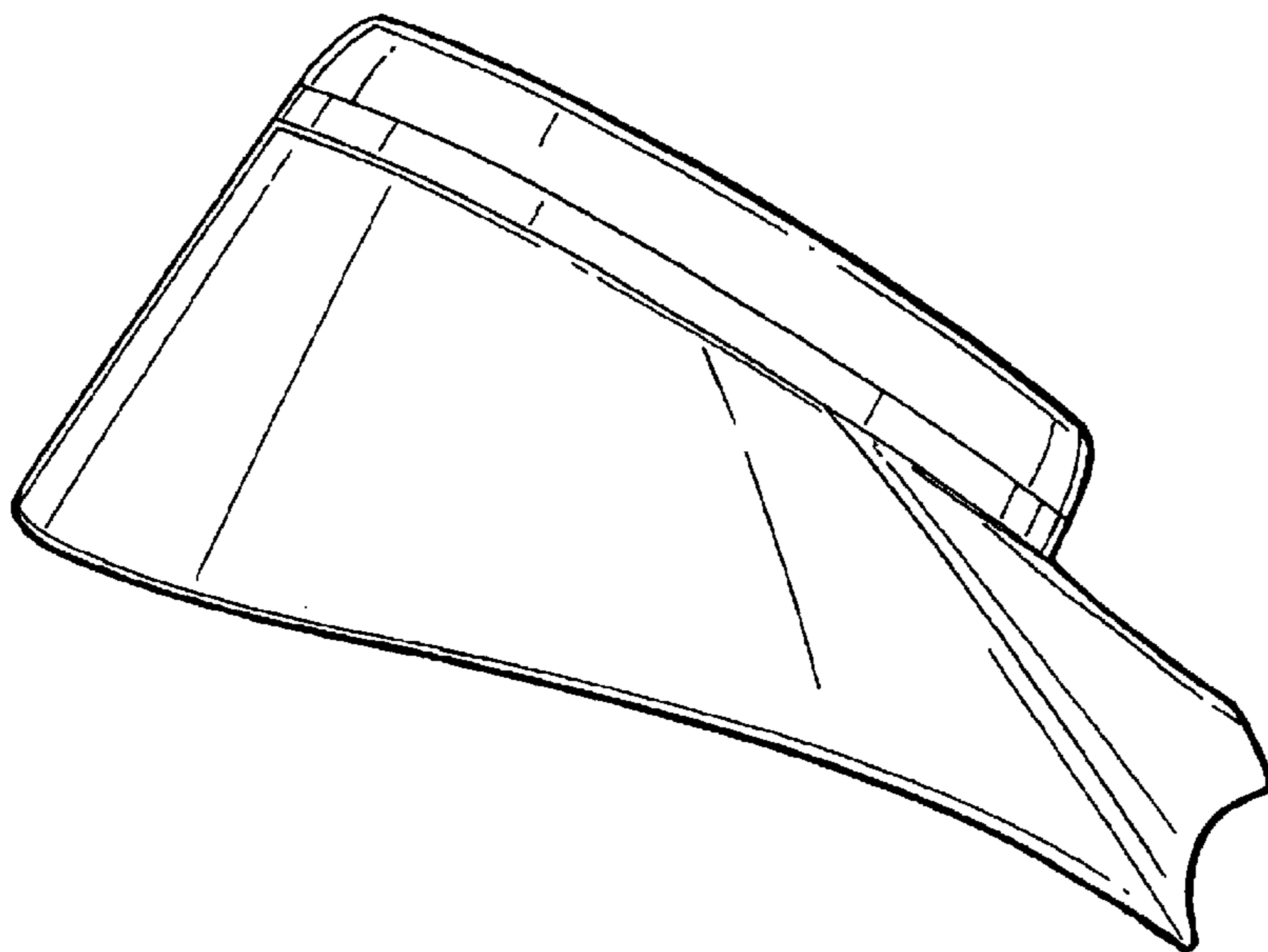


FIG. 4