

US00D497320S1

(12) **United States Design Patent**  
**Sayegh**

(10) **Patent No.:** **US D497,320 S**  
(45) **Date of Patent:** **\*\* Oct. 19, 2004**

(54) **COMPACT ELECTRONIC ARTICLE SURVEILLANCE DEVICE**

(76) **Inventor:** **Adel O. Sayegh**, 5134 Paddock Pl., Rancho Cucamonga, CA (US) 91737

(\*\*) **Term:** **14 Years**

(21) **Appl. No.:** **29/182,914**

(22) **Filed:** **Jun. 2, 2003**

(51) **LOC (7) Cl.** ..... **10-05**

(52) **U.S. Cl.** ..... **D10/104; D10/106**

(58) **Field of Search** ..... D10/104, 106, D10/116; 340/571, 572.7-572.9, 573.4; 70/57.1; 24/704.1

(56) **References Cited**

**U.S. PATENT DOCUMENTS**

2,497,434	A	*	2/1950	Borland	.....	292/317
3,149,869	A	*	9/1964	Chamberlin	.....	292/320
3,758,060	A	*	9/1973	Schuplin	.....	248/74.3
3,911,534	A	*	10/1975	Martens et al.	.....	70/57.1
4,561,153	A	*	12/1985	Matsui	.....	24/16 PB
4,588,218	A	*	5/1986	Guiler et al.	.....	292/307 R
4,614,373	A	*	9/1986	Niemeijer	.....	292/318
5,517,179	A		5/1996	Charlot, Jr.		
5,524,463	A	*	6/1996	Schenkel et al.	.....	70/57.1
5,969,613	A	*	10/1999	Yeager et al.	.....	340/572.9
D427,929	S		7/2000	Sayegh		
6,226,839	B1	*	5/2001	Sayegh	.....	24/16 PB
D460,012	S	*	7/2002	Proulx et al.	.....	D10/106

6,443,403	B1	*	9/2002	Page et al.	.....	248/71
D466,426	S	*	12/2002	Proulx et al.	.....	D10/104
D478,833	S	*	8/2003	Belden et al.	.....	D10/106
2002/0174695	A1	*	11/2002	Huehner	.....	70/57.1

\* cited by examiner

*Primary Examiner*—Jeffrey Asch

(74) *Attorney, Agent, or Firm*—Milord A. Keshishian

(57) **CLAIM**

The ornamental design for an compact electronic article surveillance device, as shown and described.

**DESCRIPTION**

FIG. 1 is a left hand view of the compact electronic article surveillance device in an unengaged state having a mirror right hand view.

FIG. 2 is a bottom side perspective view of the device in an unengaged state.

FIG. 3 is a top side perspective view of the device in an unengaged state.

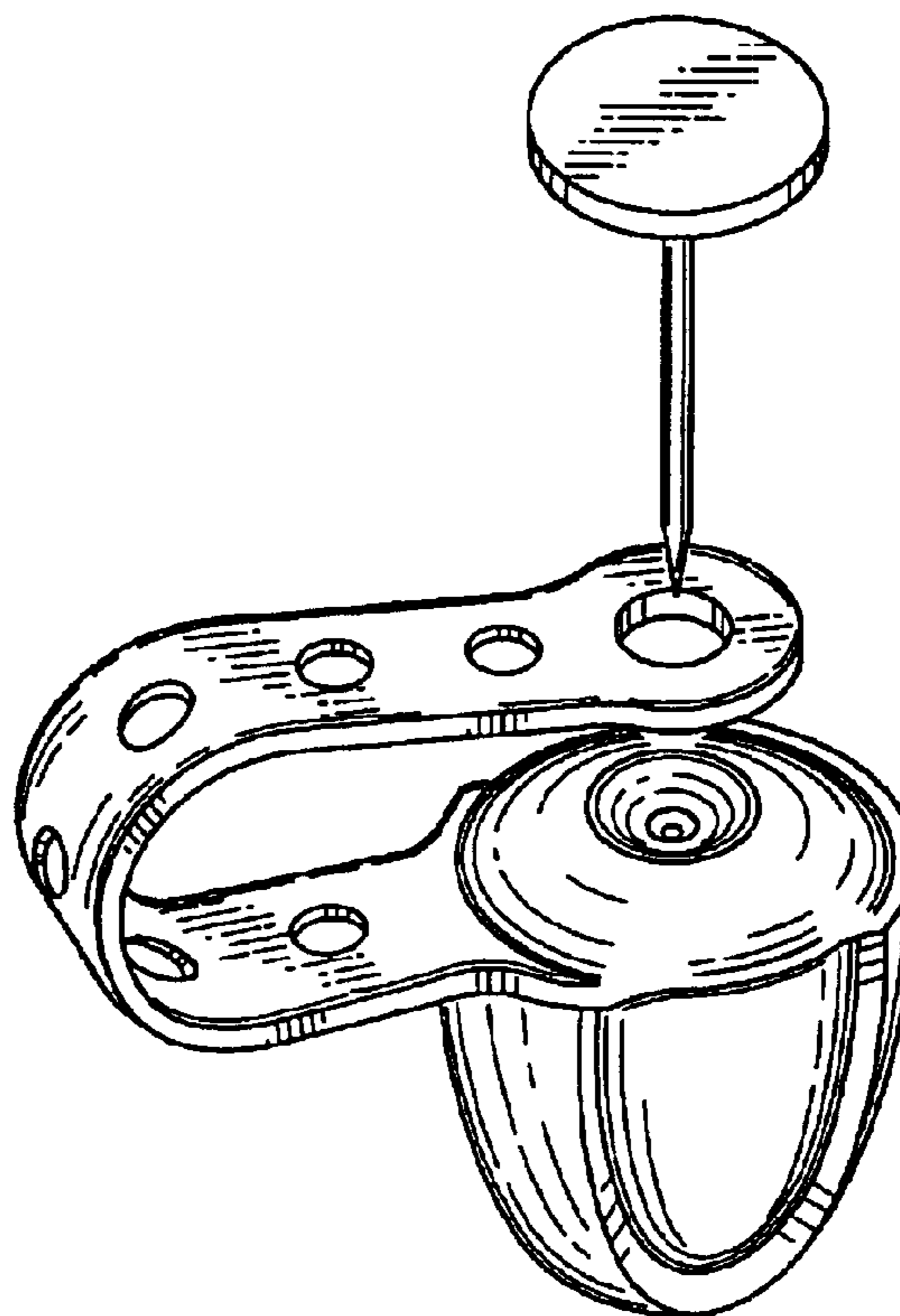
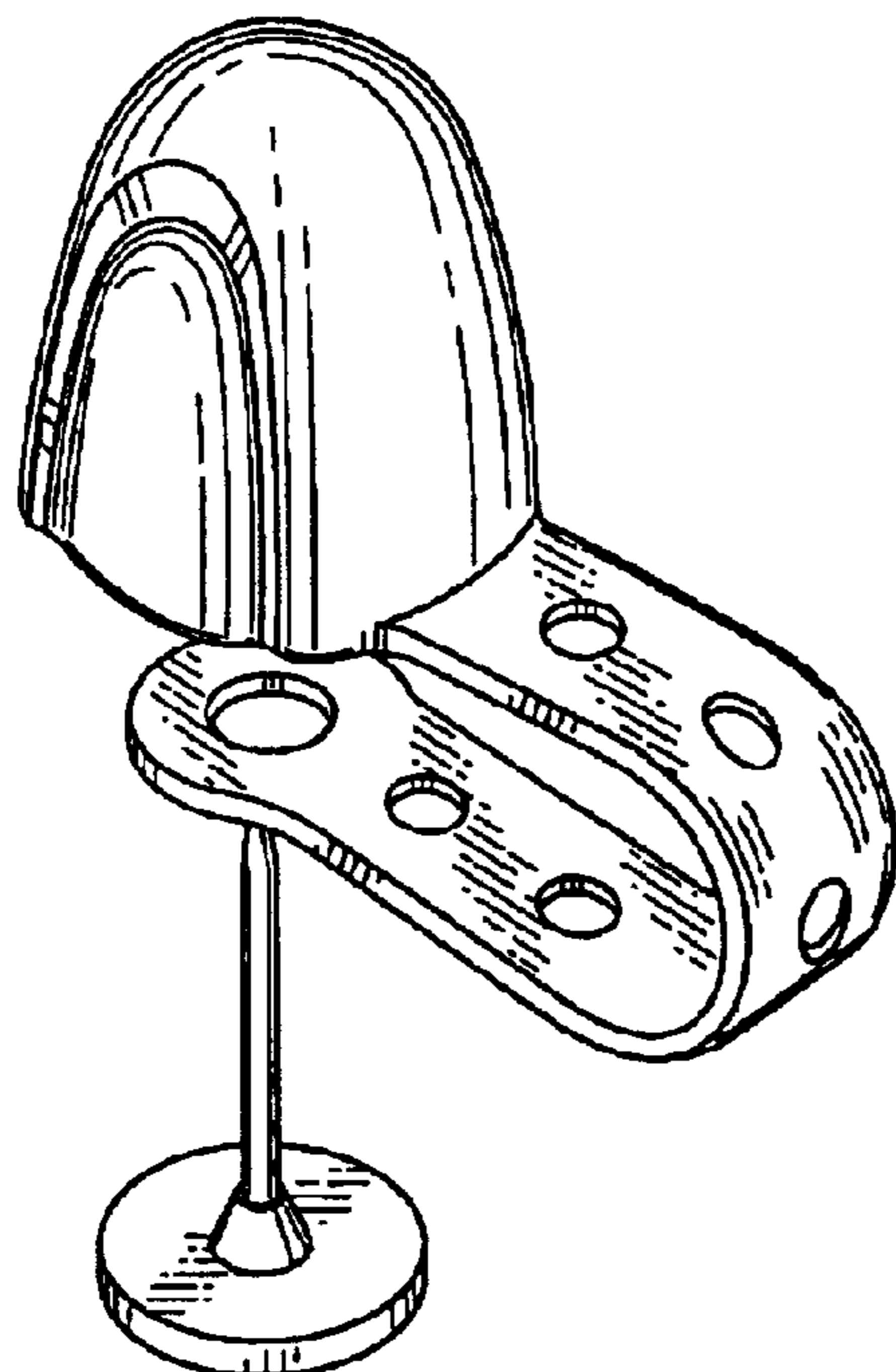
FIG. 4 is a frontal perspective view of the device of FIG. 2 in an unengaged state.

FIG. 5 is a rear perspective view of the device of FIG. 2 in an unengaged state.

FIG. 6 is a bottom plan view of the device of FIG. 2 in an unengaged state; and,

FIG. 7 is a top plan view of the device of FIG. 2 in an unengaged state.

**1 Claim, 4 Drawing Sheets**



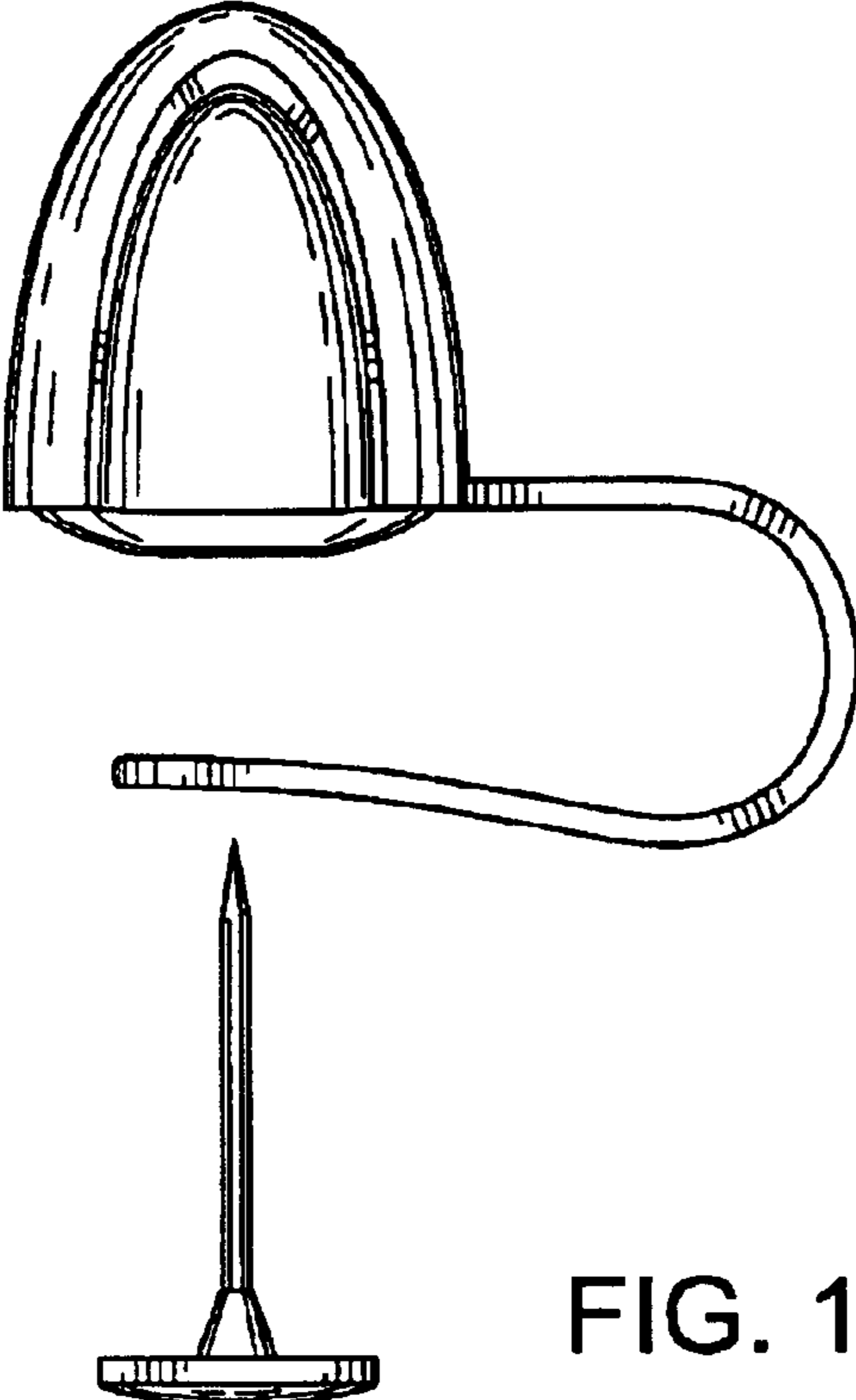


FIG. 1

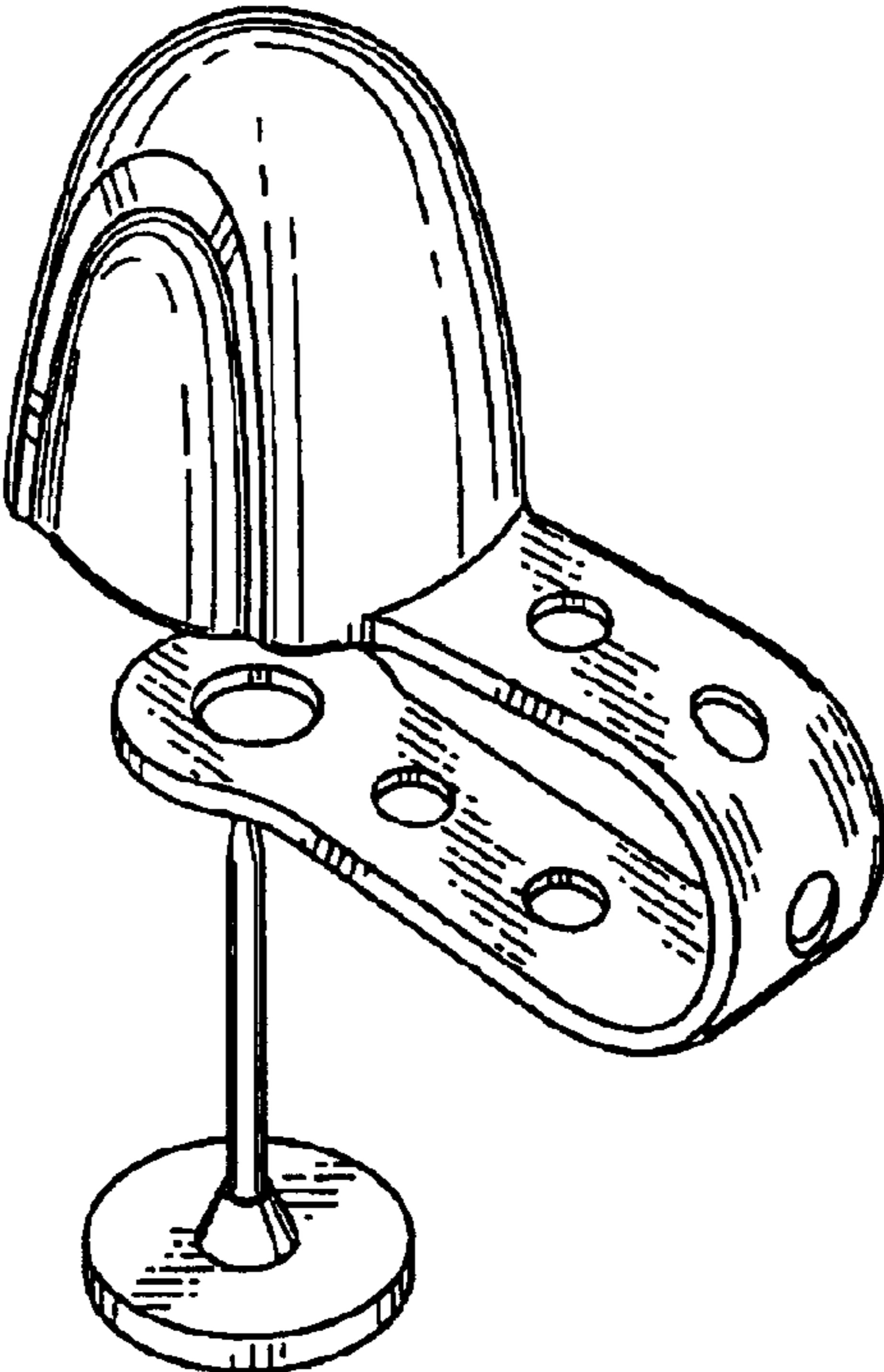


FIG. 2

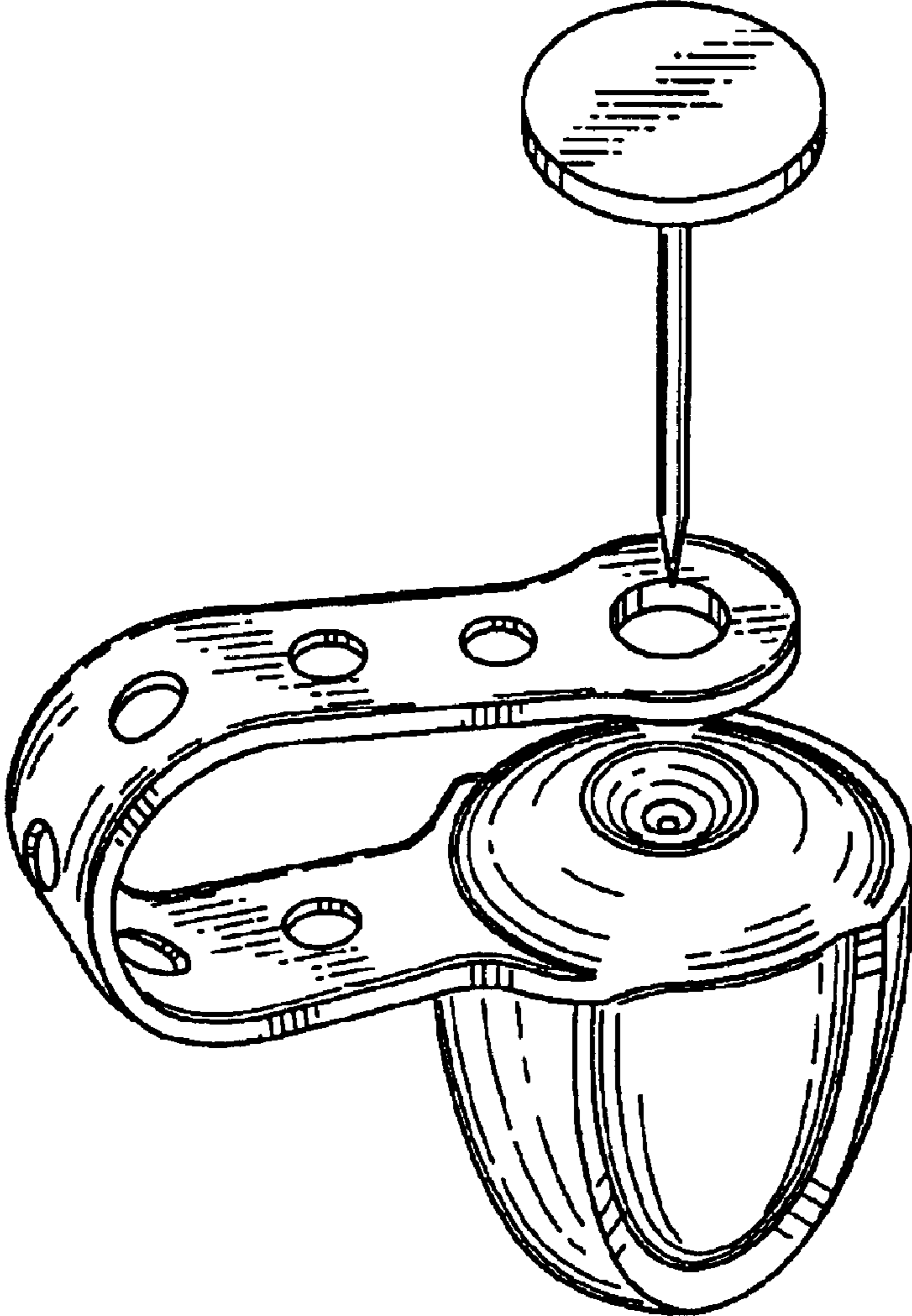


FIG. 3

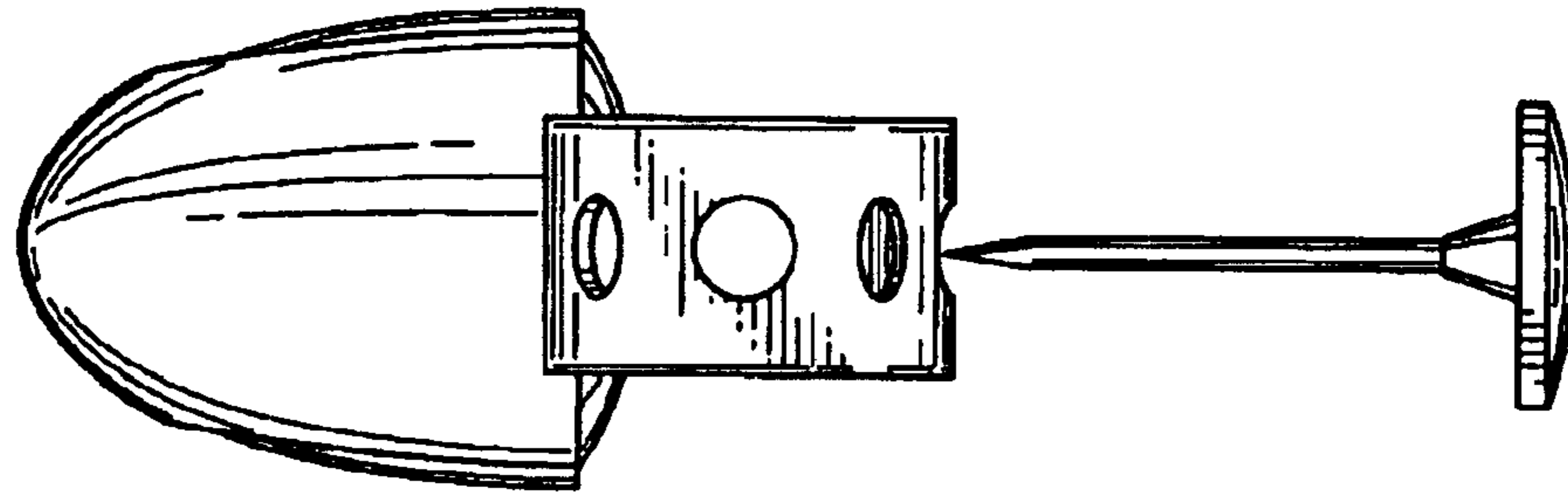


FIG. 8

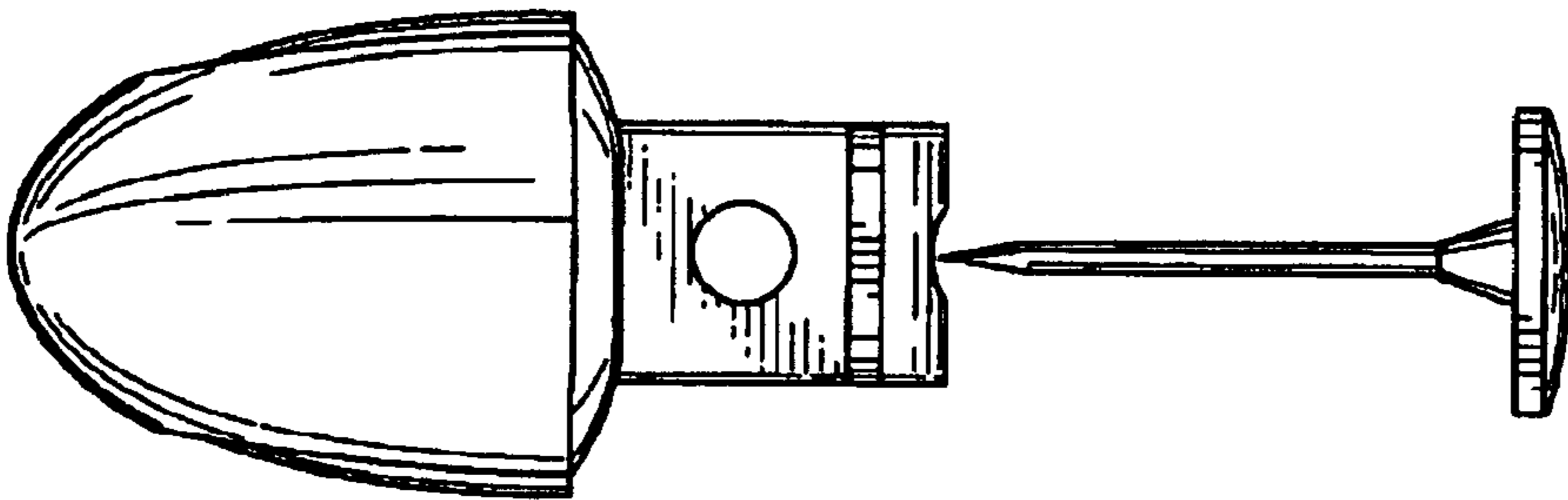


FIG. 9

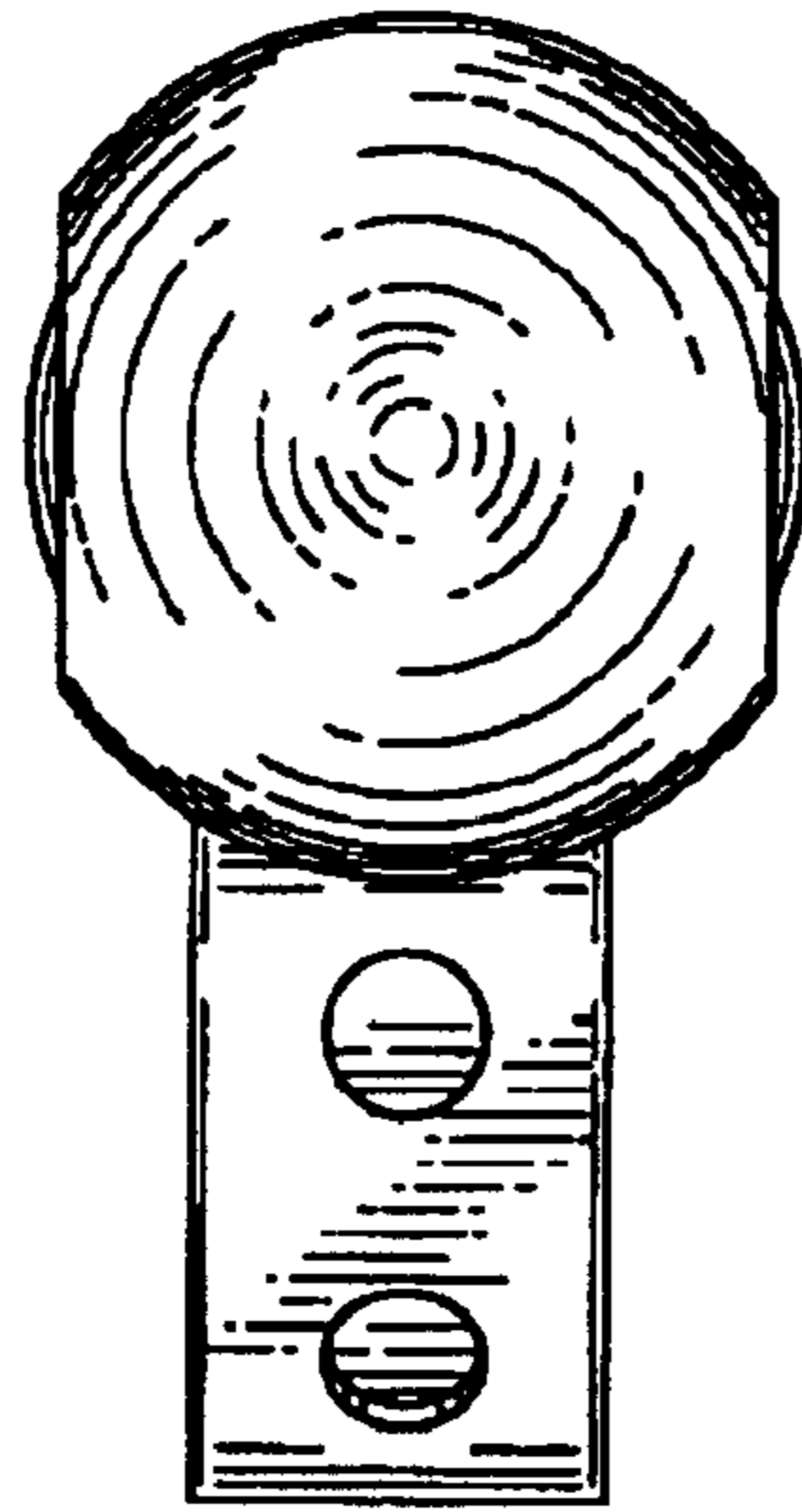


FIG. 9 6

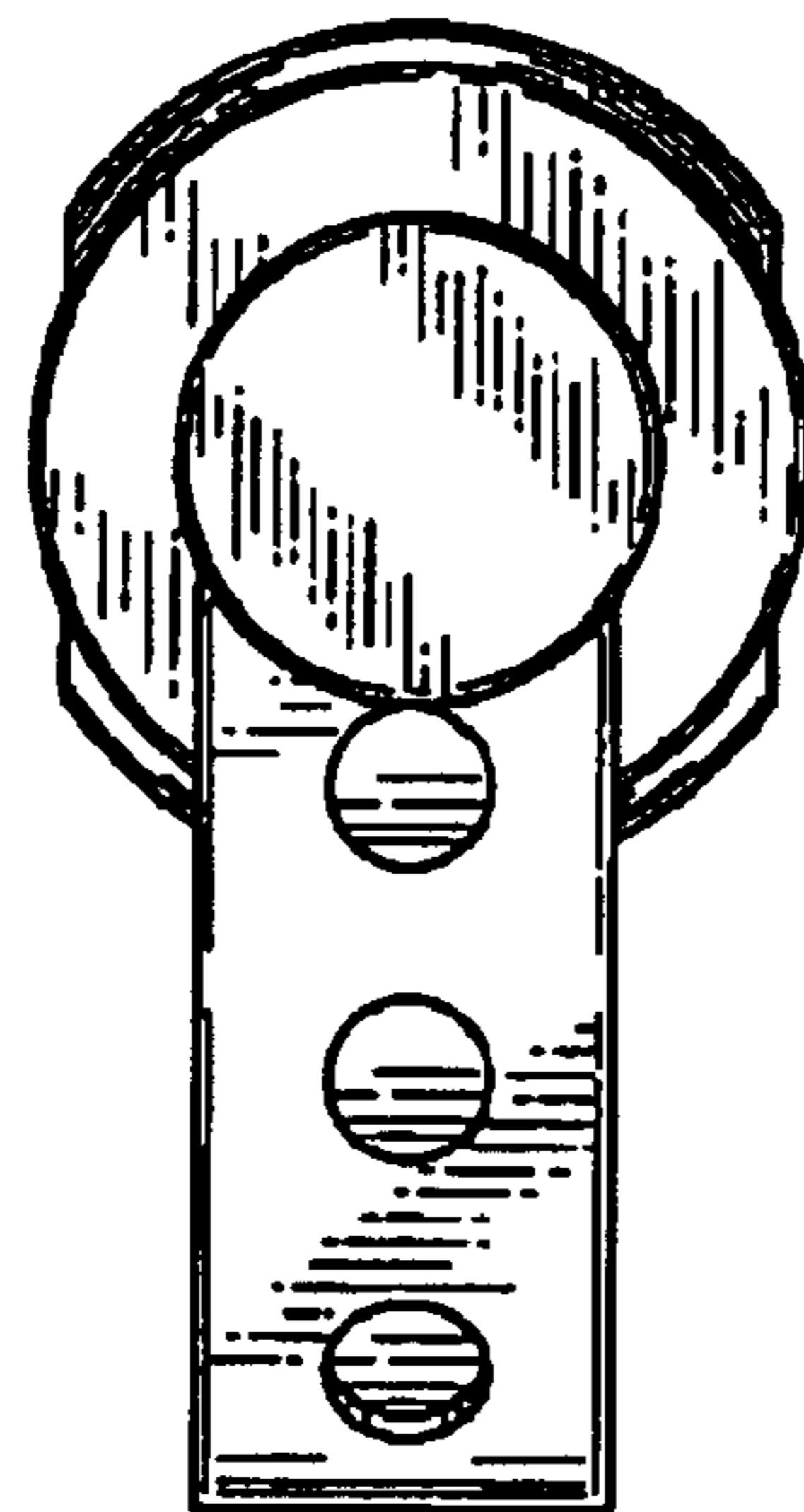


FIG. 10 7