

US00D497313S1

(12) **United States Design Patent**  
**Glover**

(10) **Patent No.:** **US D497,313 S**

(45) **Date of Patent:** **\*\* Oct. 19, 2004**

(54) **GASOLINE CAN HAVING AN INTEGRAL SPOUT**

D326,050 S	*	5/1992	Stockstill	.....	D9/524
5,295,610 A	*	3/1994	Levison	.....	222/26
D358,330 S	*	5/1995	Kahl	.....	D9/520
D365,520 S	*	12/1995	Luther	.....	D9/524

(75) **Inventor:** **George R. Glover**, 26452 1400 Ave.  
North, Princeton, IL (US) 61356

\* cited by examiner

(73) **Assignee:** **George R. Glover**, Princeton, IL (US)

*Primary Examiner*—Stella Reid

*Assistant Examiner*—Daniel Bui

(\*\*) **Term:** **14 Years**

(74) *Attorney, Agent, or Firm*—Husch & Eppenberger,  
LLC; David A. Chambers

(21) **Appl. No.:** **29/188,972**

(57) **CLAIM**

(22) **Filed:** **Aug. 26, 2003**

The ornamental design for a gasoline can having an integral spout, substantially as shown and described.

(51) **LOC (7) Cl.** ..... **09-02**

(52) **U.S. Cl.** ..... **D9/524; D9/527**

(58) **Field of Search** ..... D9/516, 522–524,  
D9/526–528, 531, 533, 543, 573–575; 215/385,  
396; 220/675

**DESCRIPTION**

FIG. 1 is an isometric view of a gasoline can having an integral spout showing my new design; FIG. 2 is a front view thereof; and, FIG. 3 is a cross-sectional view taken along line 3—3 shown in FIG. 1.

(56) **References Cited**

**U.S. PATENT DOCUMENTS**

D213,949 S	*	4/1969	Lenhart	.....	D9/520
4,819,833 A	*	4/1989	Huddleston et al.	.....	222/155

**1 Claim, 3 Drawing Sheets**

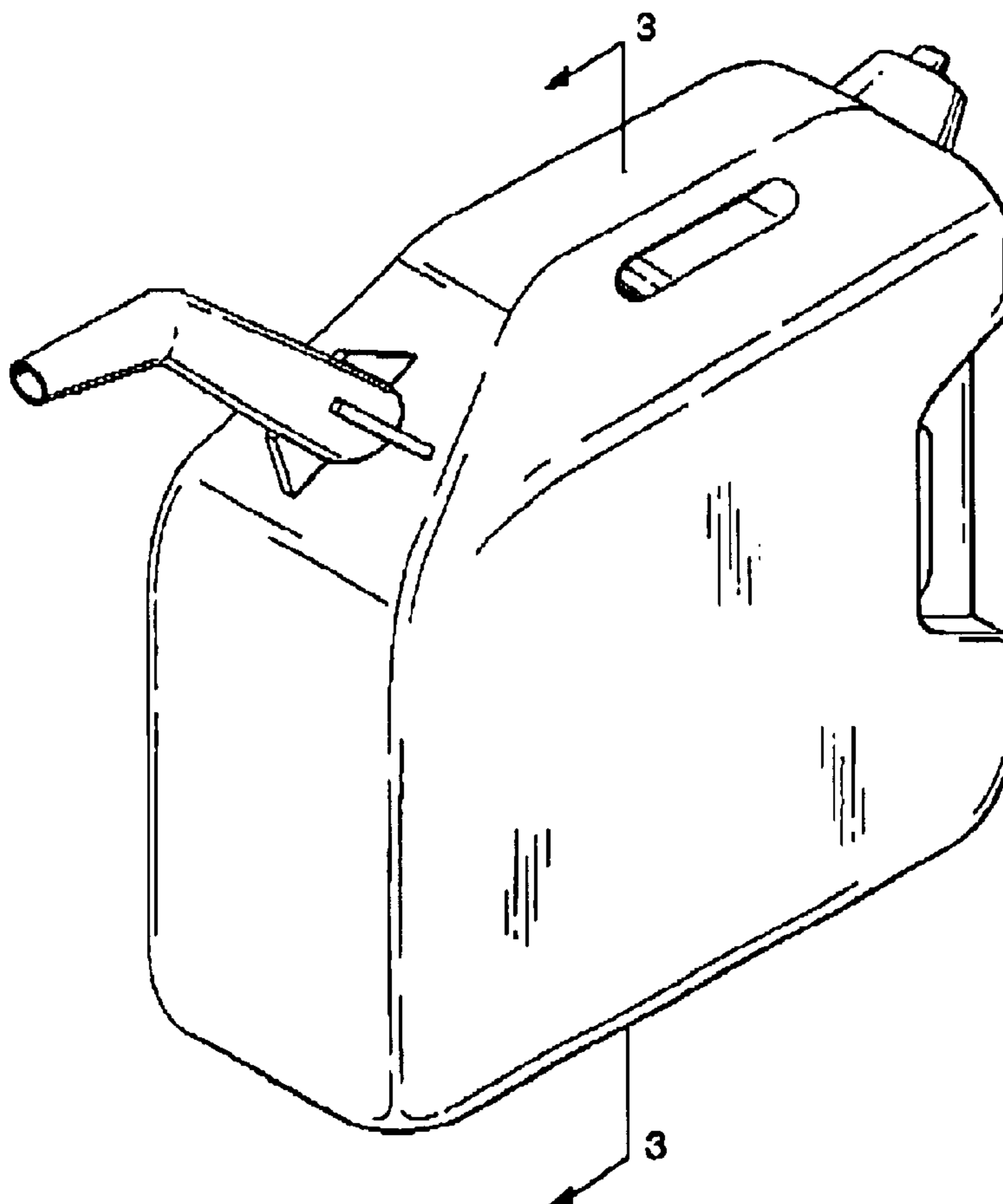


FIG. 1

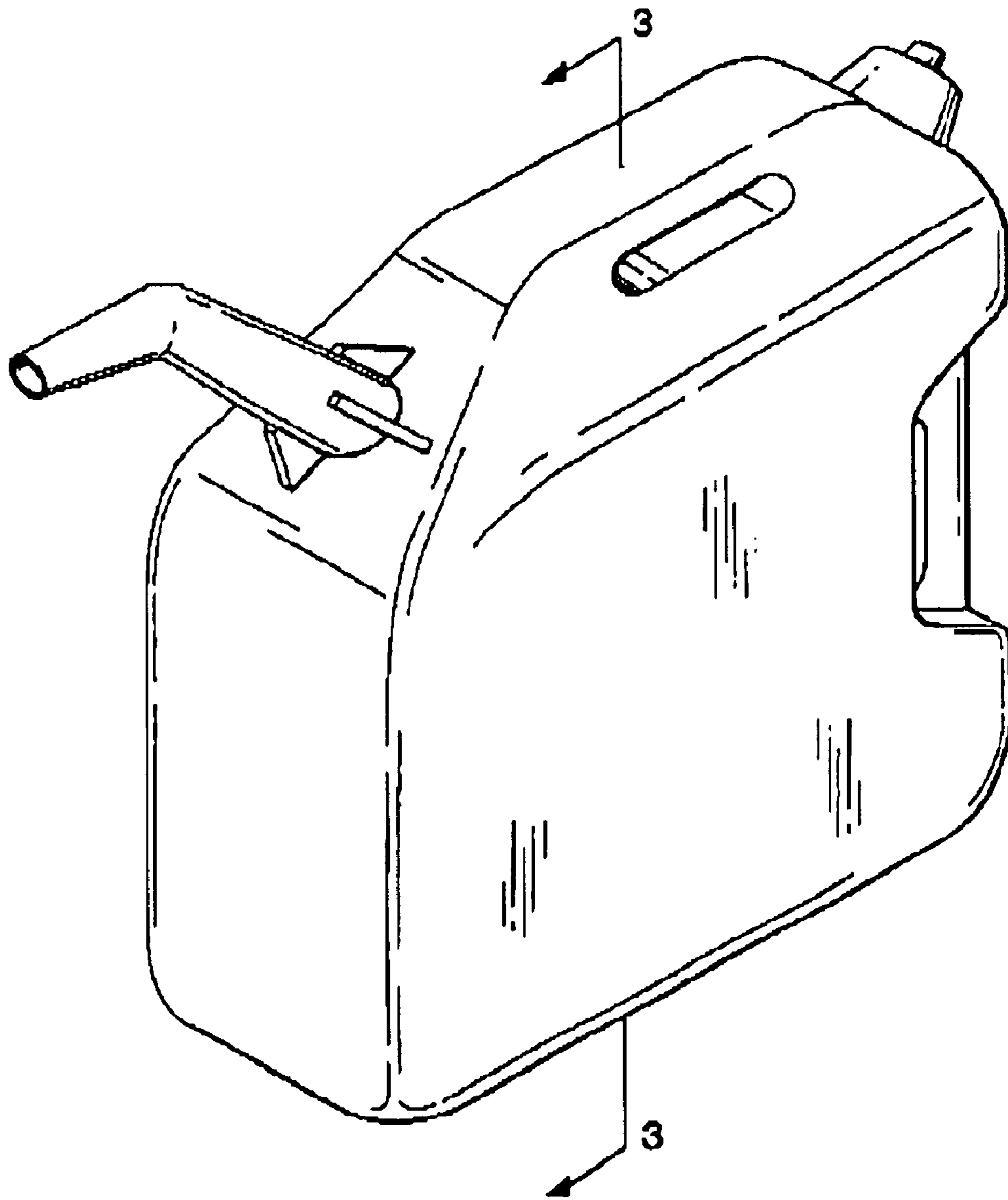


FIG. 2.

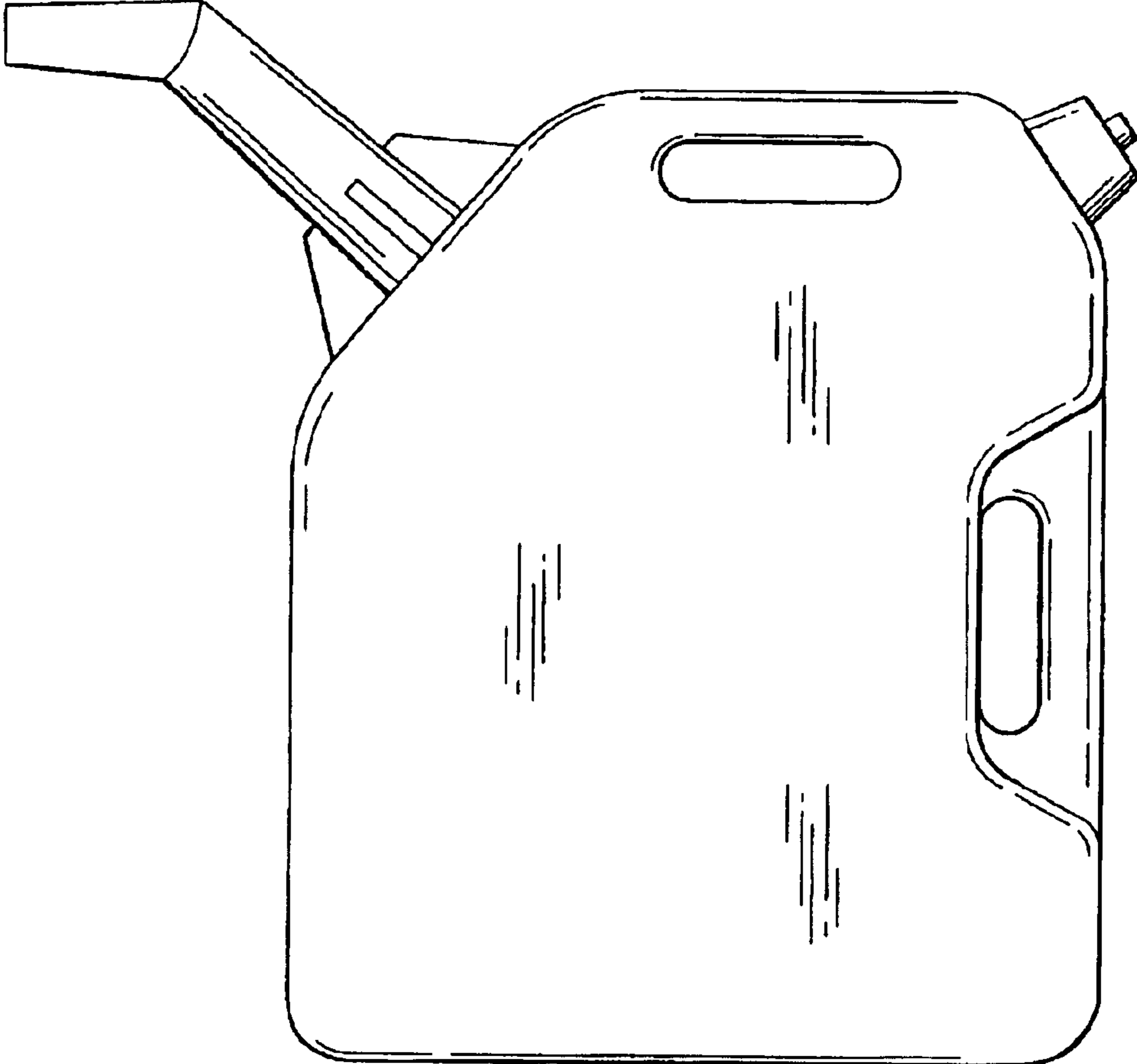


FIG. 3.

