

US00D497309S1

(12) **United States Design Patent**
Nordland et al.

(10) **Patent No.:** **US D497,309 S**
(45) **Date of Patent:** **** Oct. 19, 2004**

(54) **POLYMERIC CONTAINER WITH HANDLE**

(75) Inventors: **Kate E. Nordland**, Rochester, NY
(US); **Terry W. Cratsley**, Honeoye, NY
(US)

(73) Assignee: **Pactiv Corporation**, Lake Forest, IL
(US)

(**) Term: **14 Years**

(21) Appl. No.: **29/192,188**

(22) Filed: **Oct. 20, 2003**

(51) **LOC (7) Cl.** **09-07**

(52) **U.S. Cl.** **D9/415; D9/431**

(58) **Field of Search** D9/415, 418, 430,
D9/431, 341; 229/116.5, 117.09, 117.13-117.15,
117.23, 117.25

4,678,079 A	7/1987	Henning	
4,917,290 A	4/1990	Saiki et al.	
5,248,081 A	9/1993	Hook	
5,392,984 A	2/1995	Yocum	
D367,816 S	* 3/1996	Cai D9/431
5,897,051 A	* 4/1999	Tessier et al. 229/117.13
6,036,085 A	* 3/2000	Tsao 229/117.14
6,131,803 A	* 10/2000	Oliff et al. 229/117.13
D442,859 S	* 5/2001	Hirschey D9/418
D466,805 S	* 12/2002	Radvansky D9/422
D470,767 S	* 2/2003	Meyer et al. D9/426

* cited by examiner

Primary Examiner—Prabhakar Deshmukh

(74) *Attorney, Agent, or Firm*—Jenkins & Gilchrist

(57) **CLAIM**

The ornamental design for a polymeric container with handle, as shown.

DESCRIPTION

FIG. 1 is a perspective view of a container;
FIG. 2 is a side view of the container of FIG. 1;
FIG. 3 is another side view of the container of FIG. 1;
FIG. 4 is an end view of the container of FIG. 1;
FIG. 5 is another end view of the container of FIG. 1;
FIG. 6 is a top view of the container of FIG. 1; and,
FIG. 7 is a bottom view of the container of FIG. 1.

1 Claim, 4 Drawing Sheets

(56) **References Cited**

U.S. PATENT DOCUMENTS

1,011,752 A	12/1911	Cowlishaw	
2,496,619 A	2/1950	Cunningham, Jr.	
2,844,299 A	7/1958	Kessler et al.	
3,150,769 A	9/1964	Cohn	
3,640,380 A	2/1972	Huffman	
4,397,393 A	* 8/1983	Pergande et al. 206/549
D273,941 S	* 5/1984	Farber D9/420
4,546,914 A	* 10/1985	Roccaforte 229/117.13

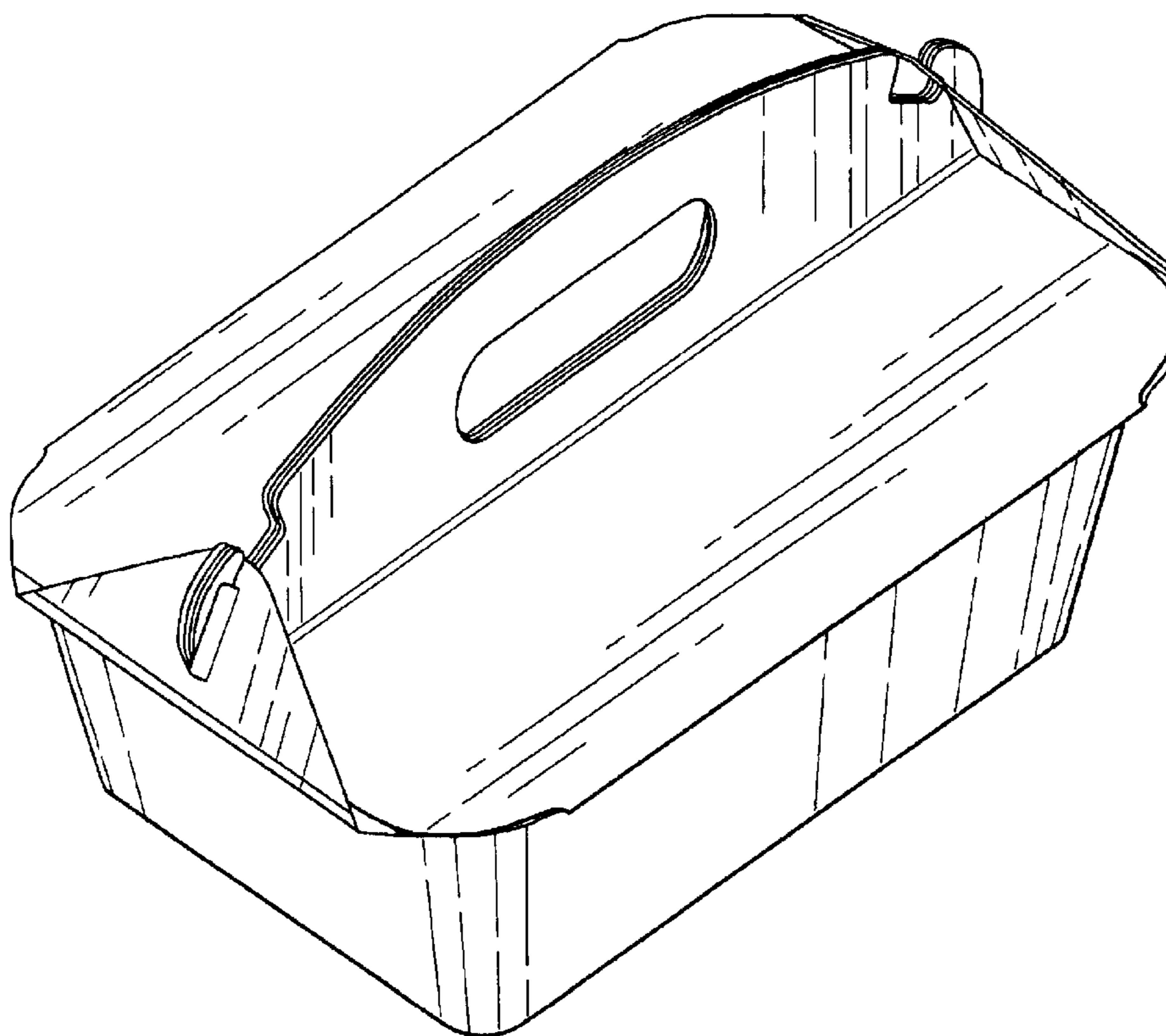


Fig. 1

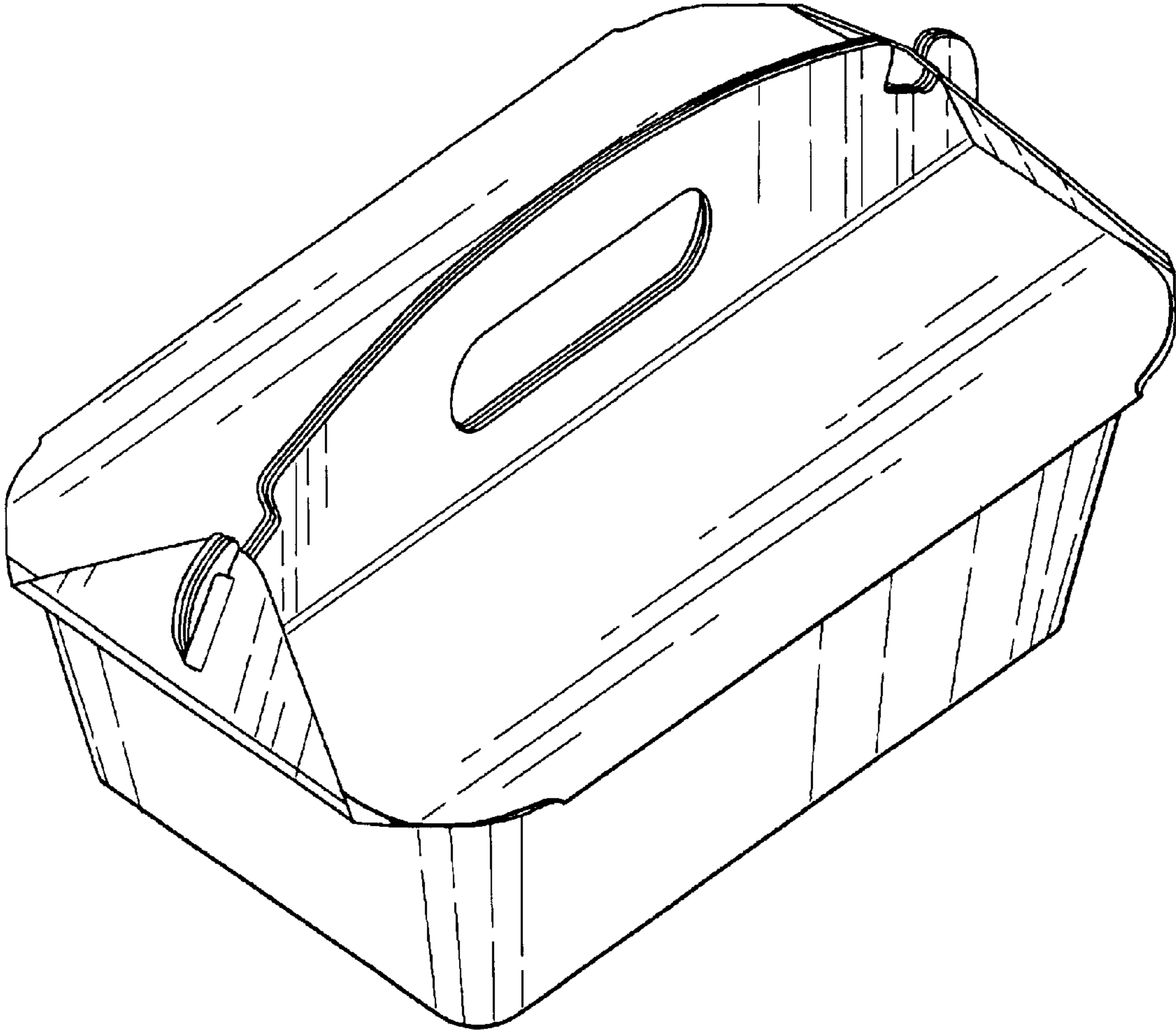


Fig. 2

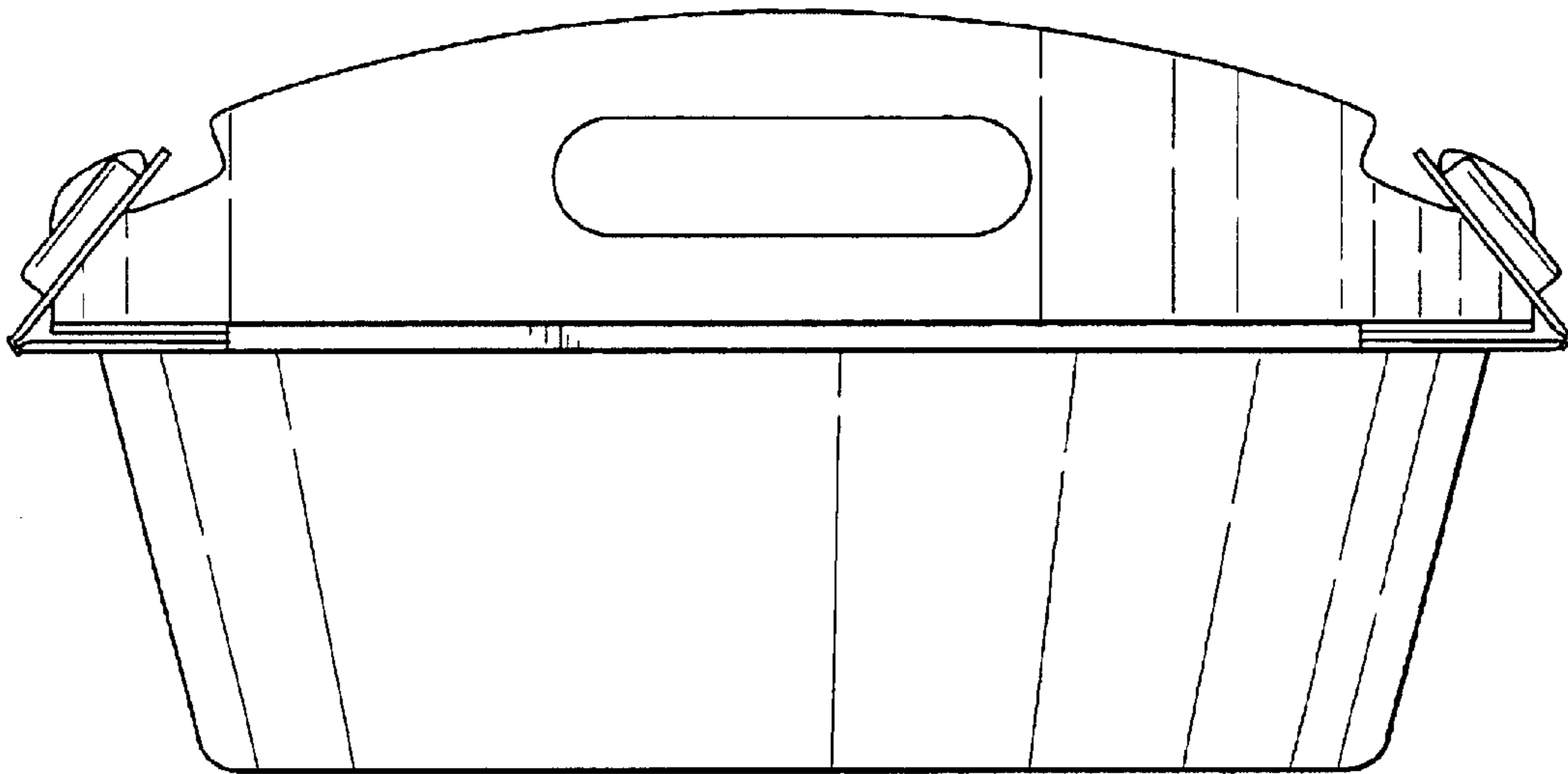


Fig. 3

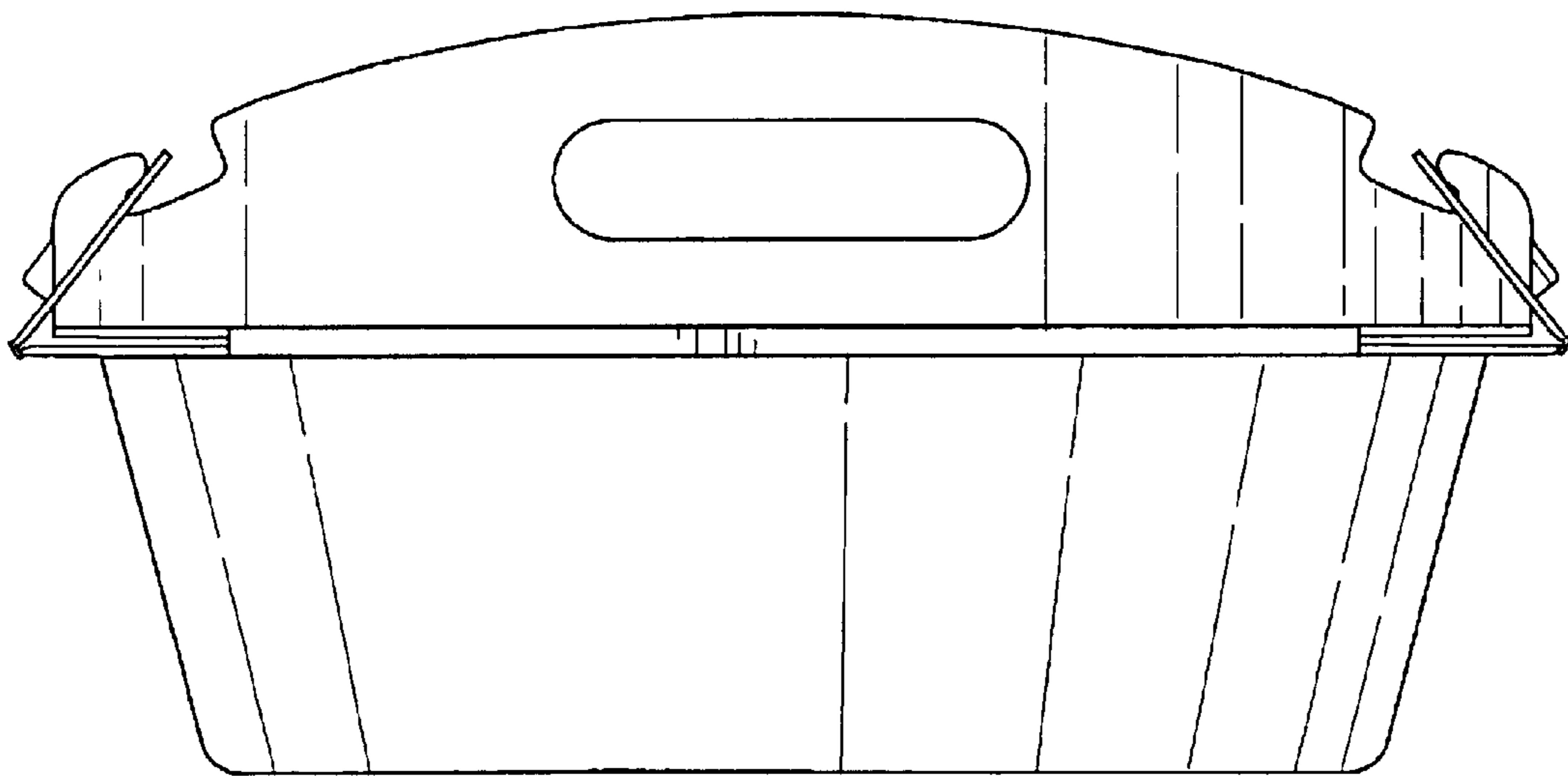


Fig. 4

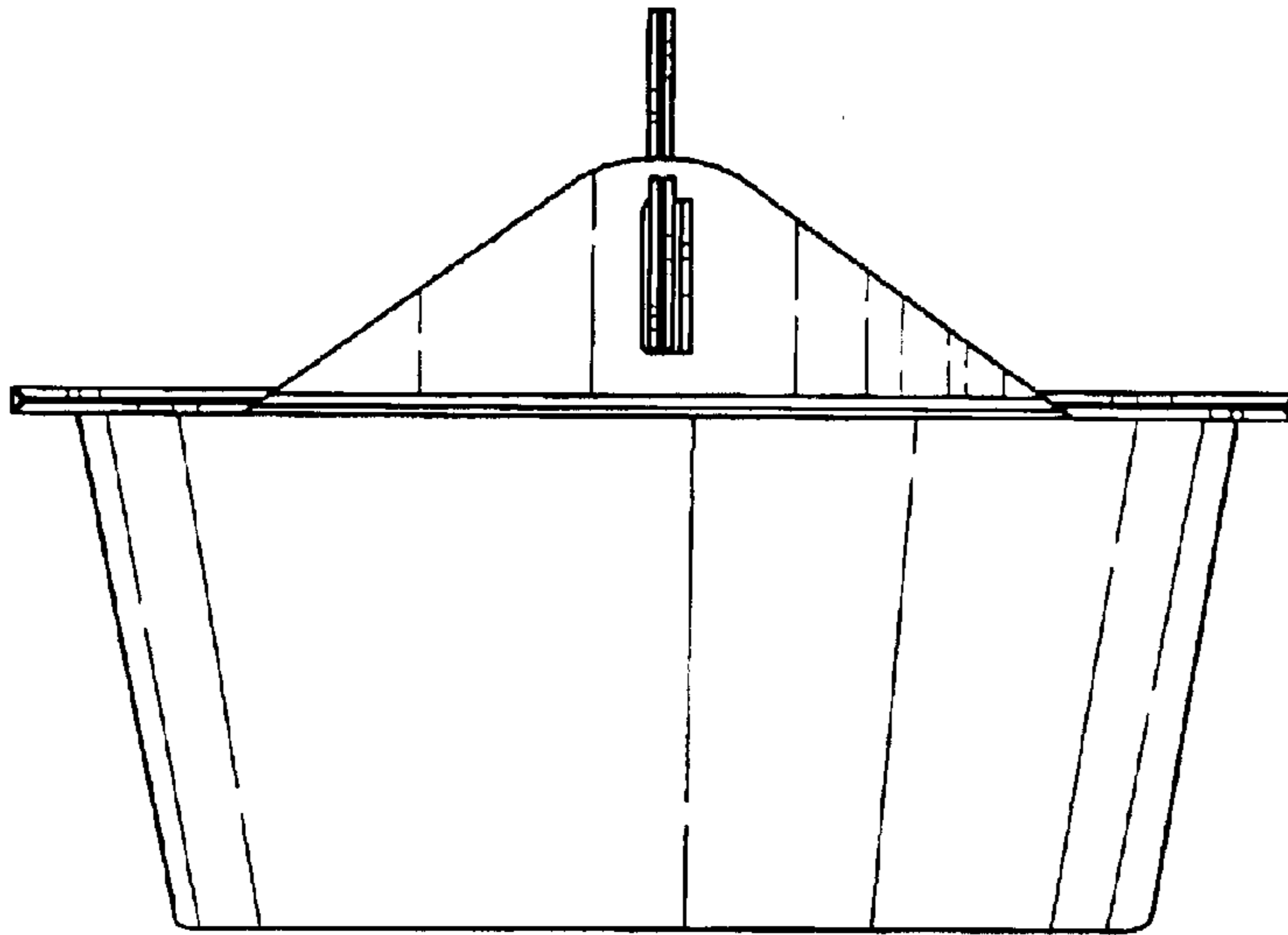


Fig. 5

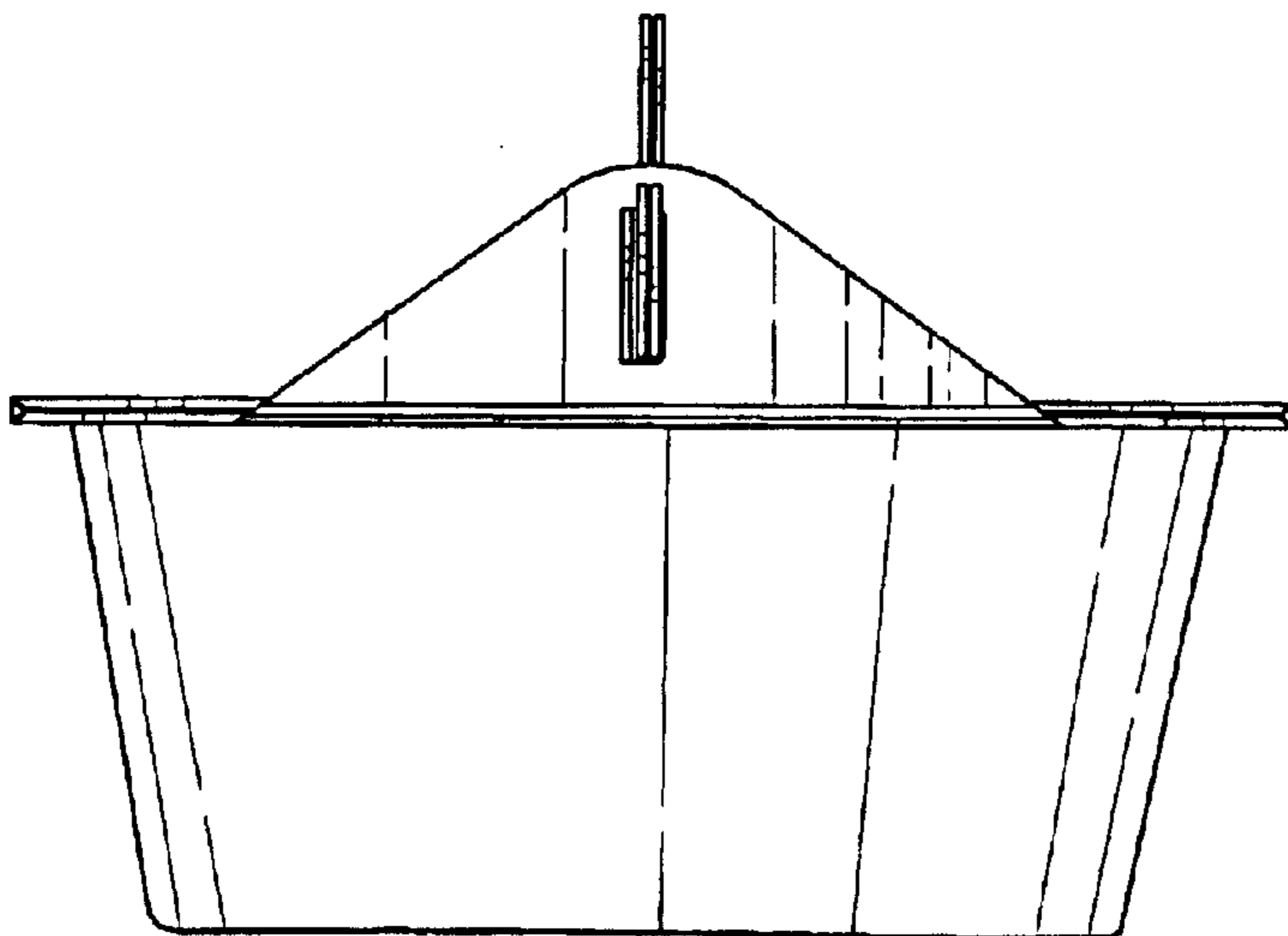


Fig. 6

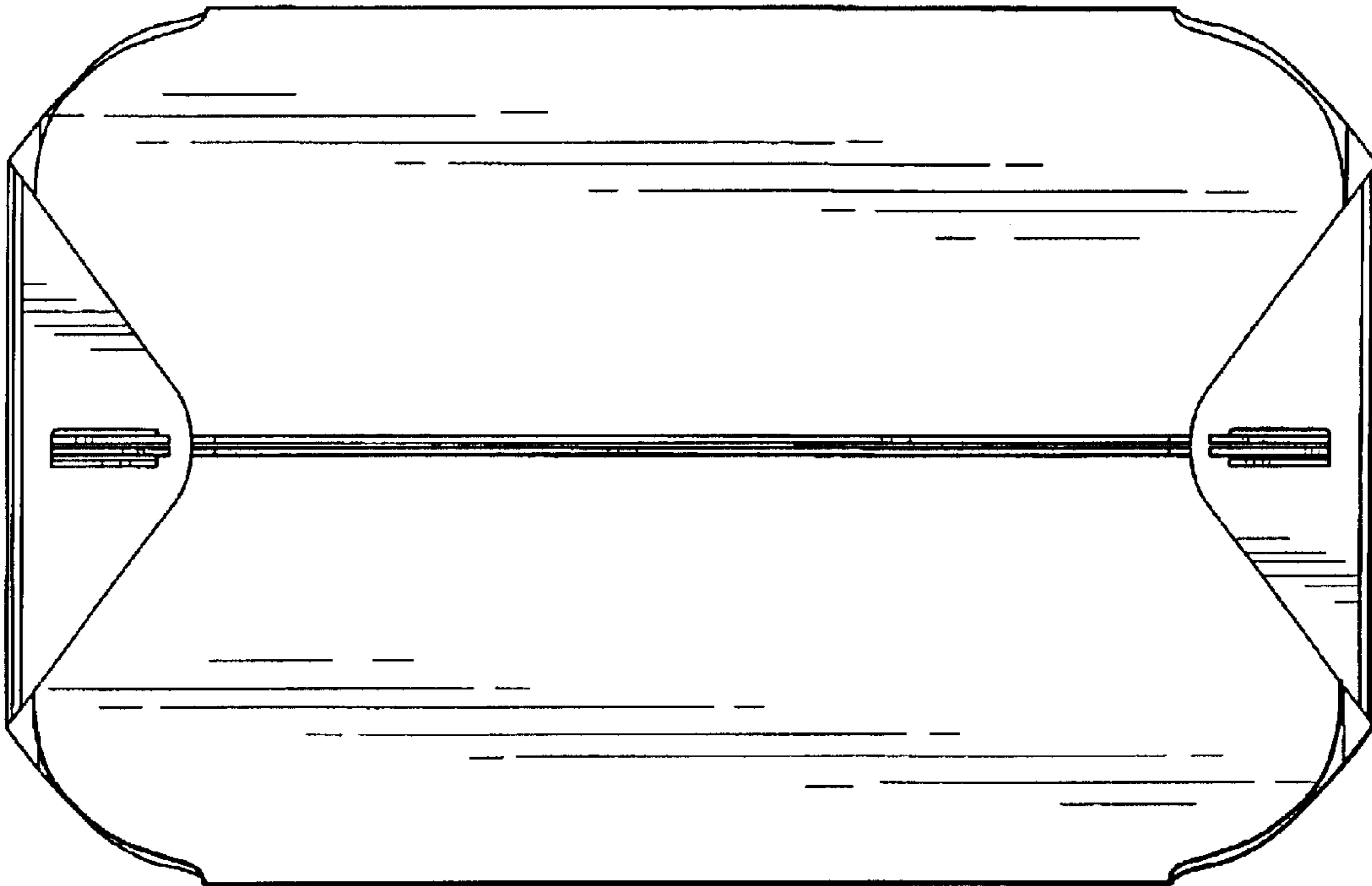


Fig. 7

