

US00D497306S1

(12) **United States Design Patent**
Anderson et al.

(10) **Patent No.:** **US D497,306 S**
(45) **Date of Patent:** **** Oct. 19, 2004**

(54) **FOUR INCH DOUBLE HOOK**

(75) Inventors: **Torrence Anderson**, Overland Park, KS (US); **Adam Thomas**, Wheaton, IL (US)

(73) Assignee: **Suncast Corporation**, Batavia, IL (US)

(**) Term: **14 Years**

(21) Appl. No.: **29/202,958**

(22) Filed: **Apr. 6, 2004**

(51) **LOC (7) Cl.** **08-05**

(52) **U.S. Cl.** **D8/372**

(58) **Field of Search** D8/372, 367, 370;
248/220.41, 220.22, 220.31; 211/86.01,
16; D6/566

(56) **References Cited**

U.S. PATENT DOCUMENTS

921,703	A	*	5/1909	Hubbard	248/303
3,409,260	A	*	11/1968	Bleed	248/220.22
6,273,279	B1	*	8/2001	Wolf	211/86.01
D485,157	S	*	1/2004	Rodrigue	D8/372

OTHER PUBLICATIONS

Outwater Plastics Catalog, p. 308, double hook, item No. JA511 located at bottom of page, 1986.*

* cited by examiner

Primary Examiner—Holly Baynham

(74) *Attorney, Agent, or Firm*—McHale & Slavin, P.A.

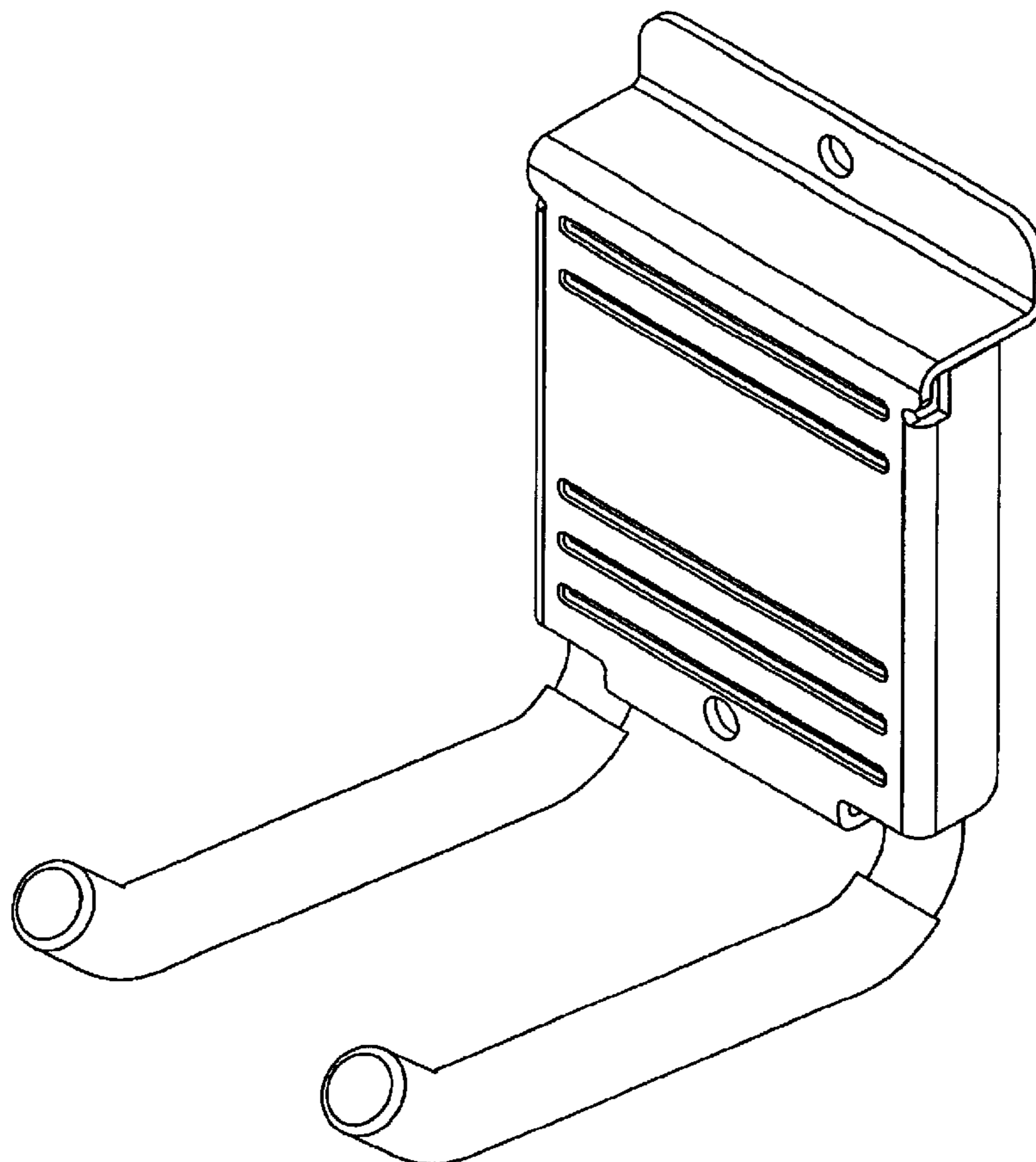
(57) **CLAIM**

The ornamental design for a four inch double hook, as shown and described.

DESCRIPTION

FIG. 1 is a perspective view of the four inch double hook, of the instant invention;
FIG. 2 is a front plane view thereof;
FIG. 3 is a rear plane view thereof;
FIG. 4 is a left side view thereof;
FIG. 5 is a right side view thereof;
FIG. 6 is a top view thereof; and,
FIG. 7 is a bottom view thereof.

1 Claim, 4 Drawing Sheets



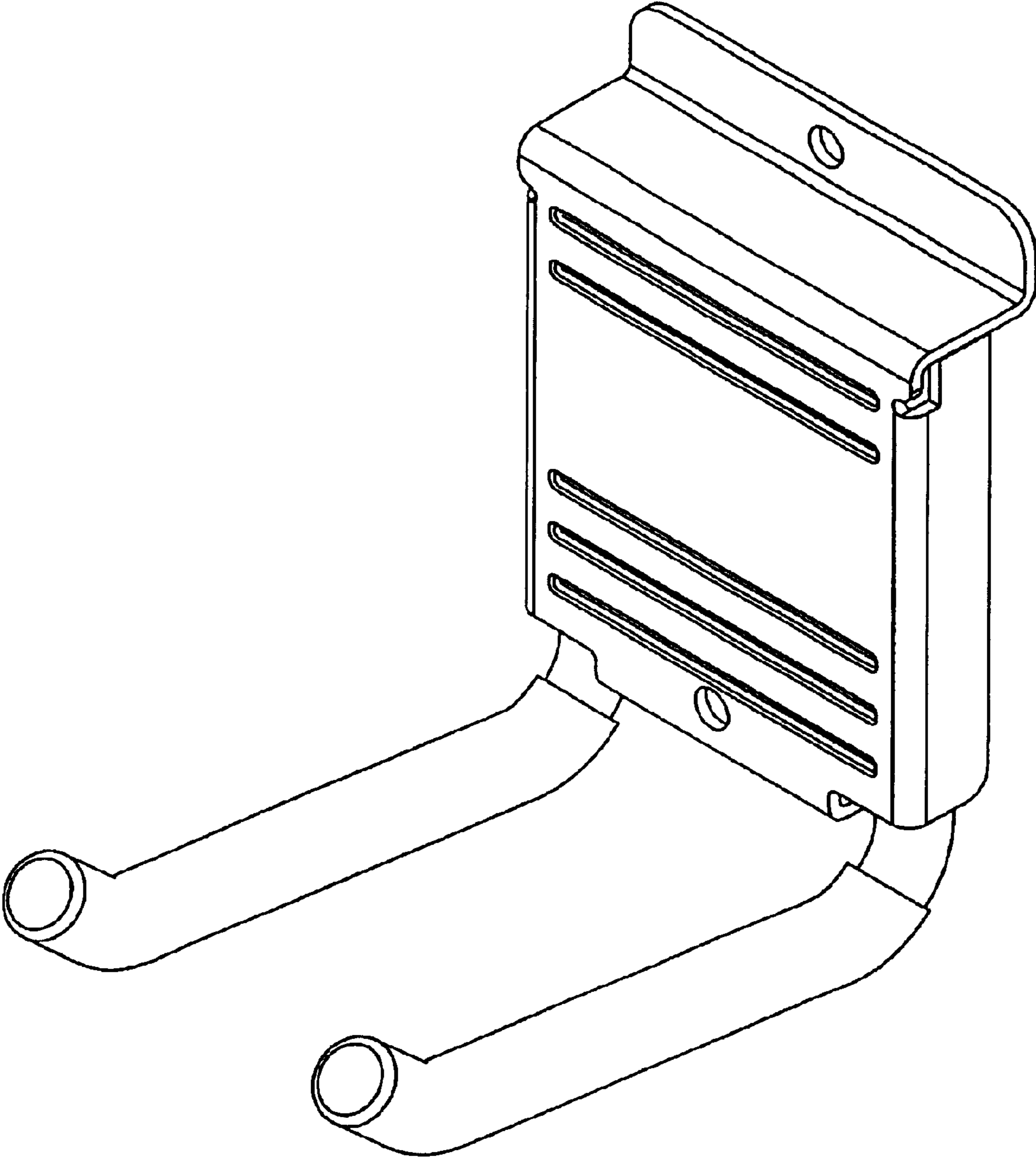


FIGURE 1

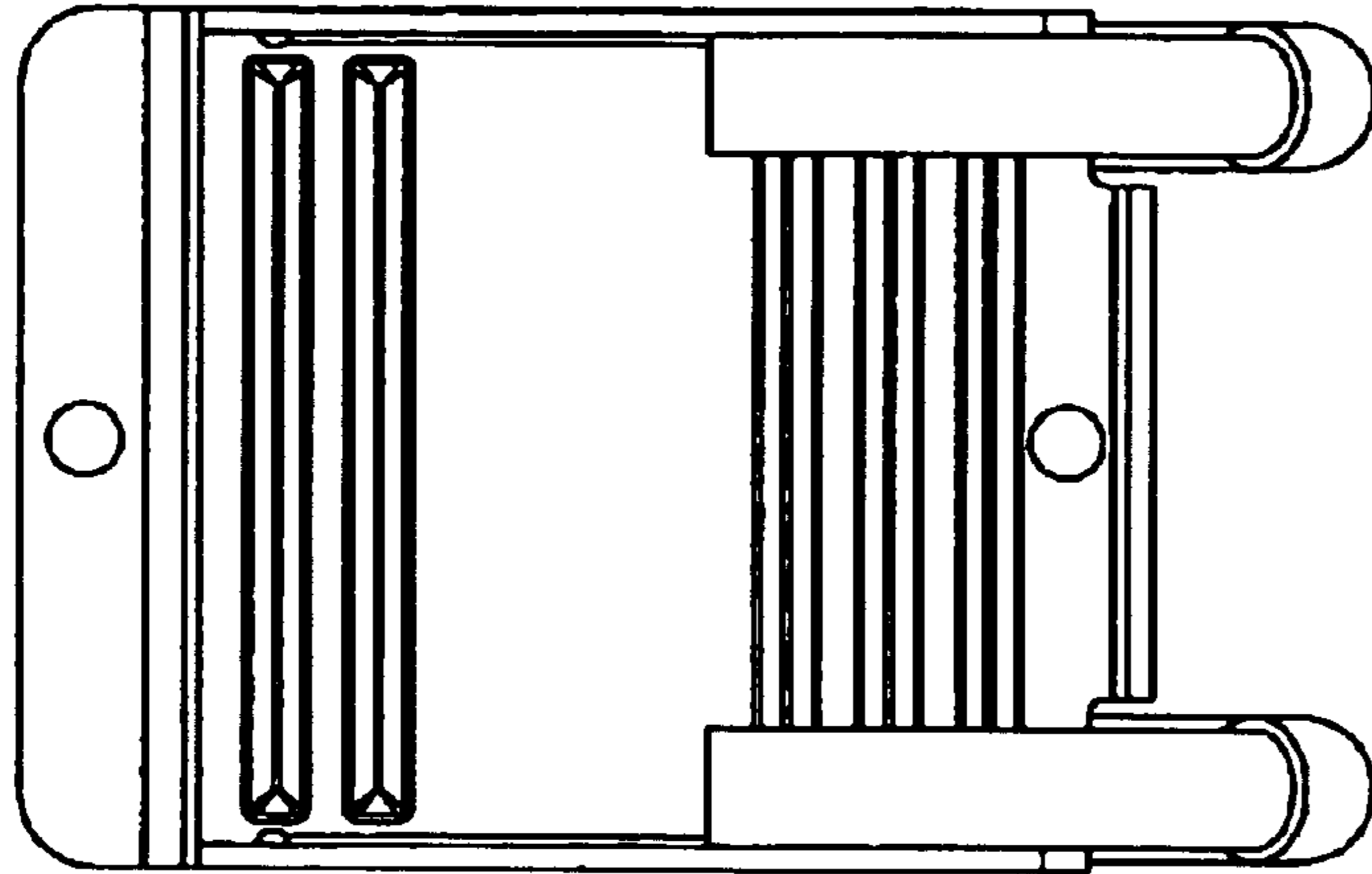


FIGURE 3

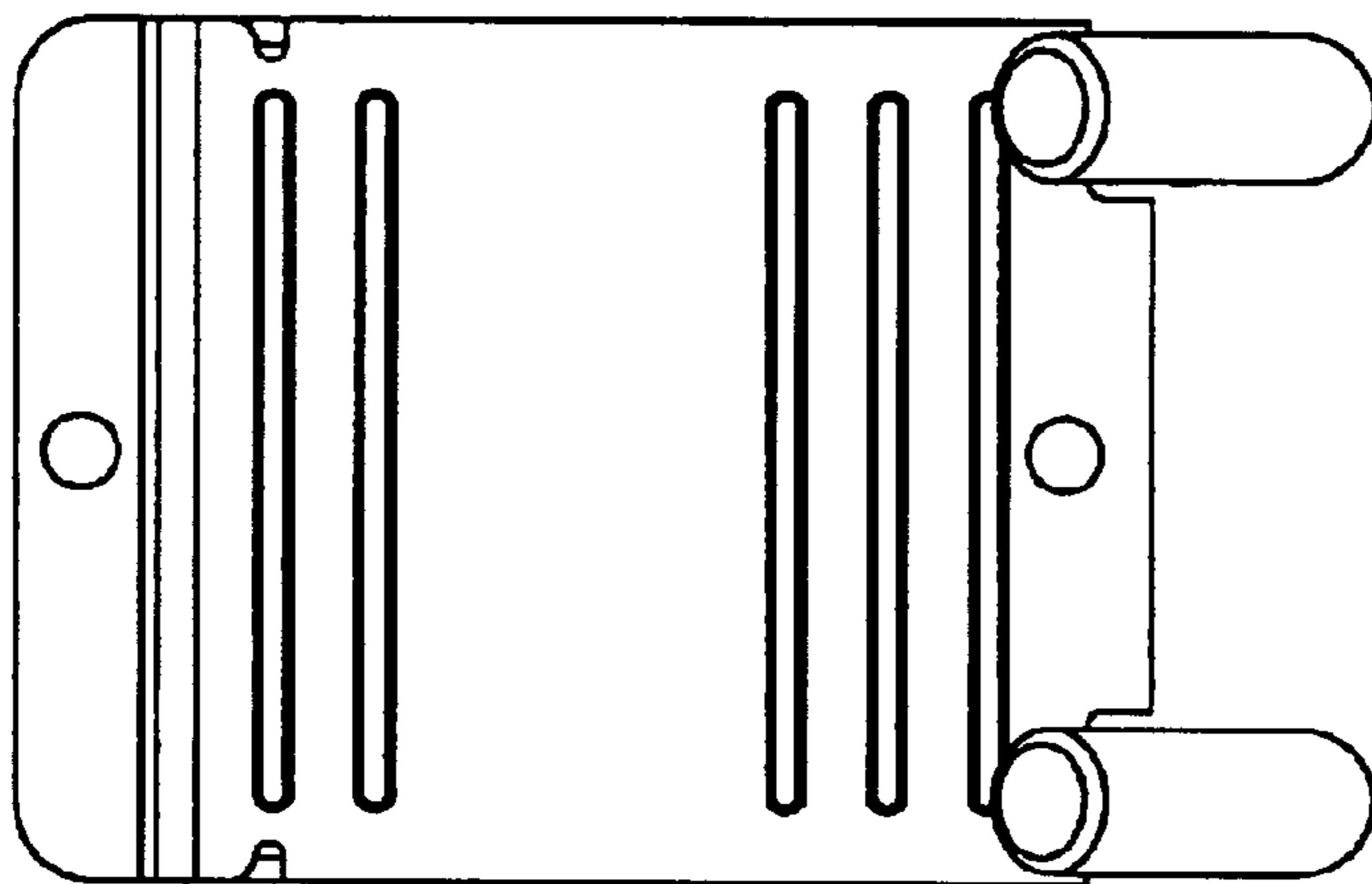


FIGURE 2

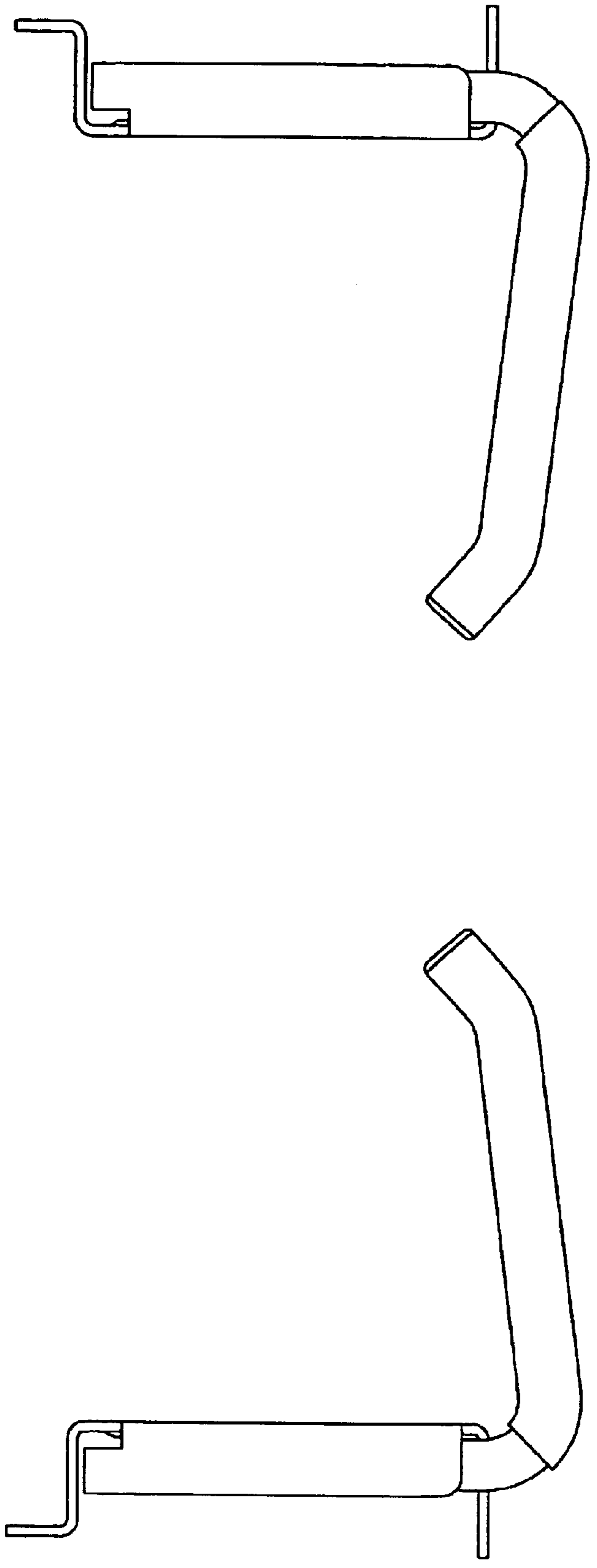


FIGURE 4

FIGURE 5

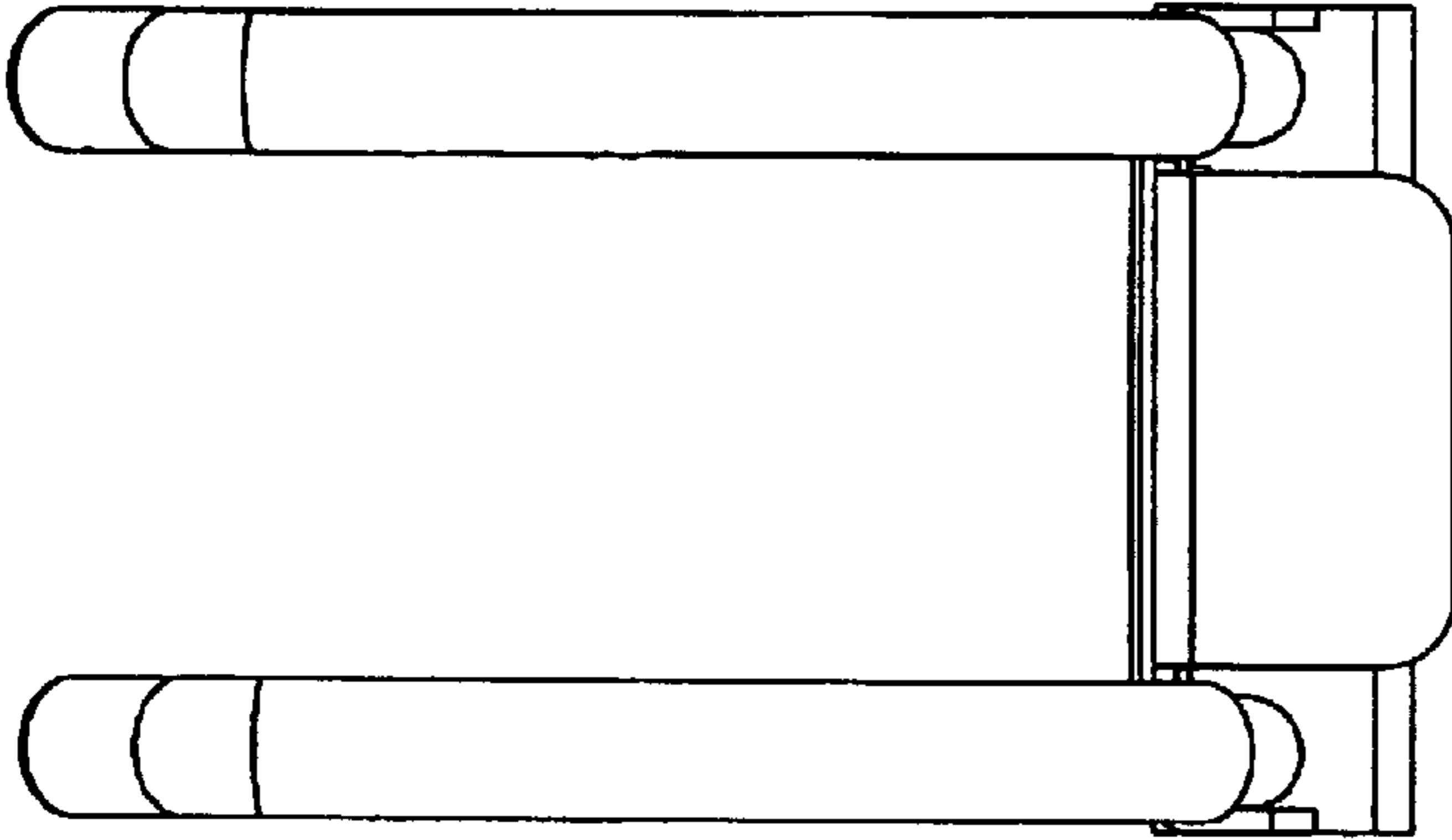


FIGURE 7

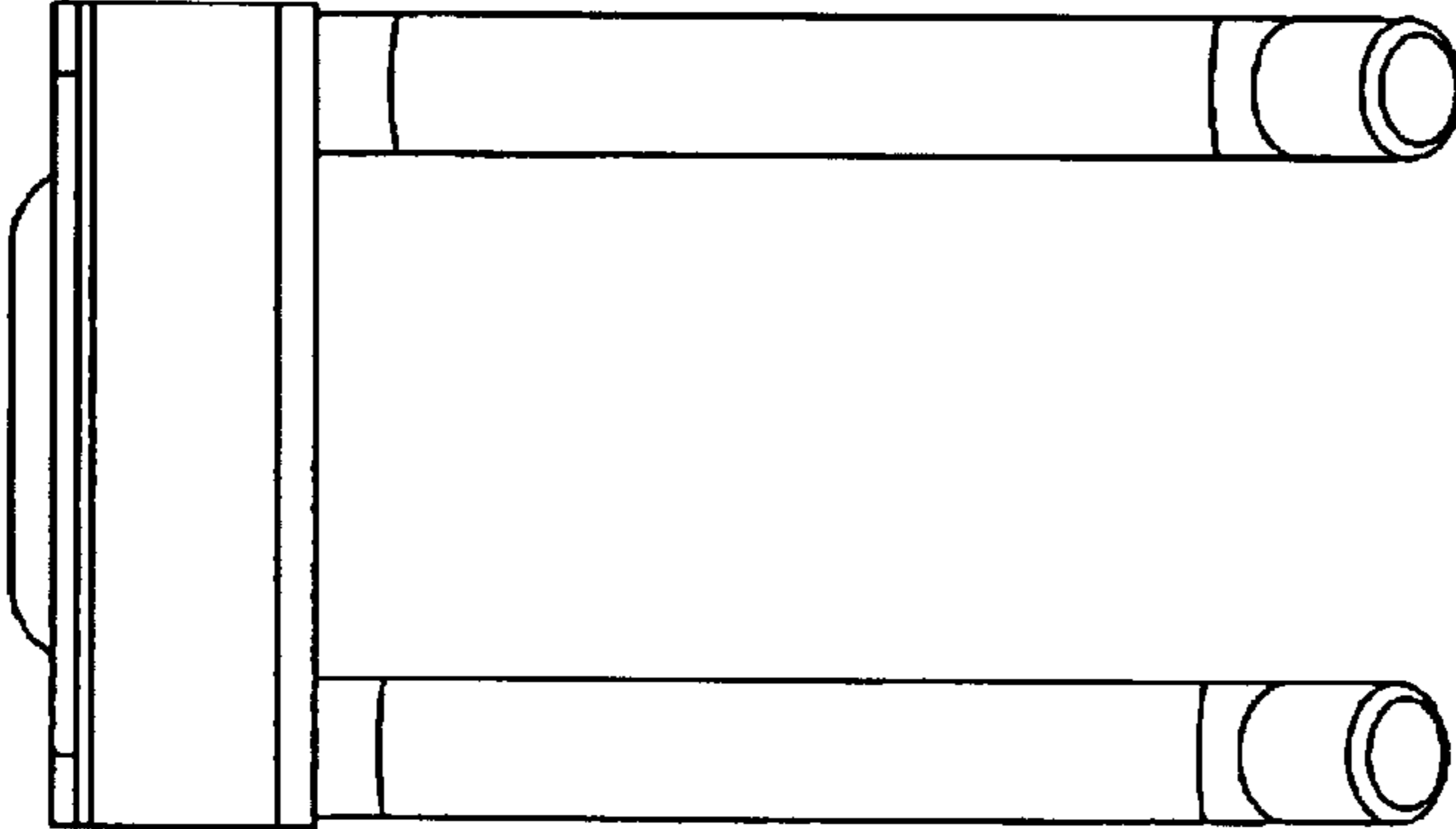


FIGURE 6