

US00D497305S1

(12) **United States Design Patent** (10) **Patent No.:** **US D497,305 S**
Perri et al. (45) **Date of Patent:** **** Oct. 19, 2004**

(54) **LOW PROFILE CLEAT WITH ONE-SIDED JAM ELEMENTS**

4,649,664 A 3/1987 Mahan
5,519,921 A 5/1996 Templer, Jr.
5,642,556 A 7/1997 Alexander
D464,251 S 10/2002 Wells

(75) Inventors: **Michael D. Perri**, 10930 47th Ave.
North, Plymouth, MN (US) 55442;
Bryon M. Suter, Plymouth, MN (US)

OTHER PUBLICATIONS

Brochure of Industrial Sales Corporation for "Grip-Tite"
(when it comes to bay and bow window units . . .), undated.
Brochure of Industrial Sales Corporation for "Grip-Rite"
(the original industry trusted cable systems . . .), undated.

(73) Assignees: **Industrial Sales Corporation**,
Westport, CT (US); **Michael D. Perri**,
Plymouth, MN (US)

Primary Examiner—Joel Sincavage
Assistant Examiner—Elizabeth Albert

(**) Term: **14 Years**

(74) *Attorney, Agent, or Firm*—Barry R. Lipsitz; Douglas
M. McAllisten

(21) Appl. No.: **29/186,956**

(22) Filed: **Jul. 23, 2003**

(57) **CLAIM**

(51) **LOC (7) Cl.** **08-05**

The ornamental design for a low profile cleat with one-sided
jam elements, as shown and described.

(52) **U.S. Cl.** **D8/356**

(58) **Field of Search** D8/349, 354, 356;
D12/317; 24/115 J, 115 R, 129 R, 130,
265 CD; 114/199, 218, 230.1; 248/499;
296/36; 410/11, 23, 107, 110, 111

DESCRIPTION

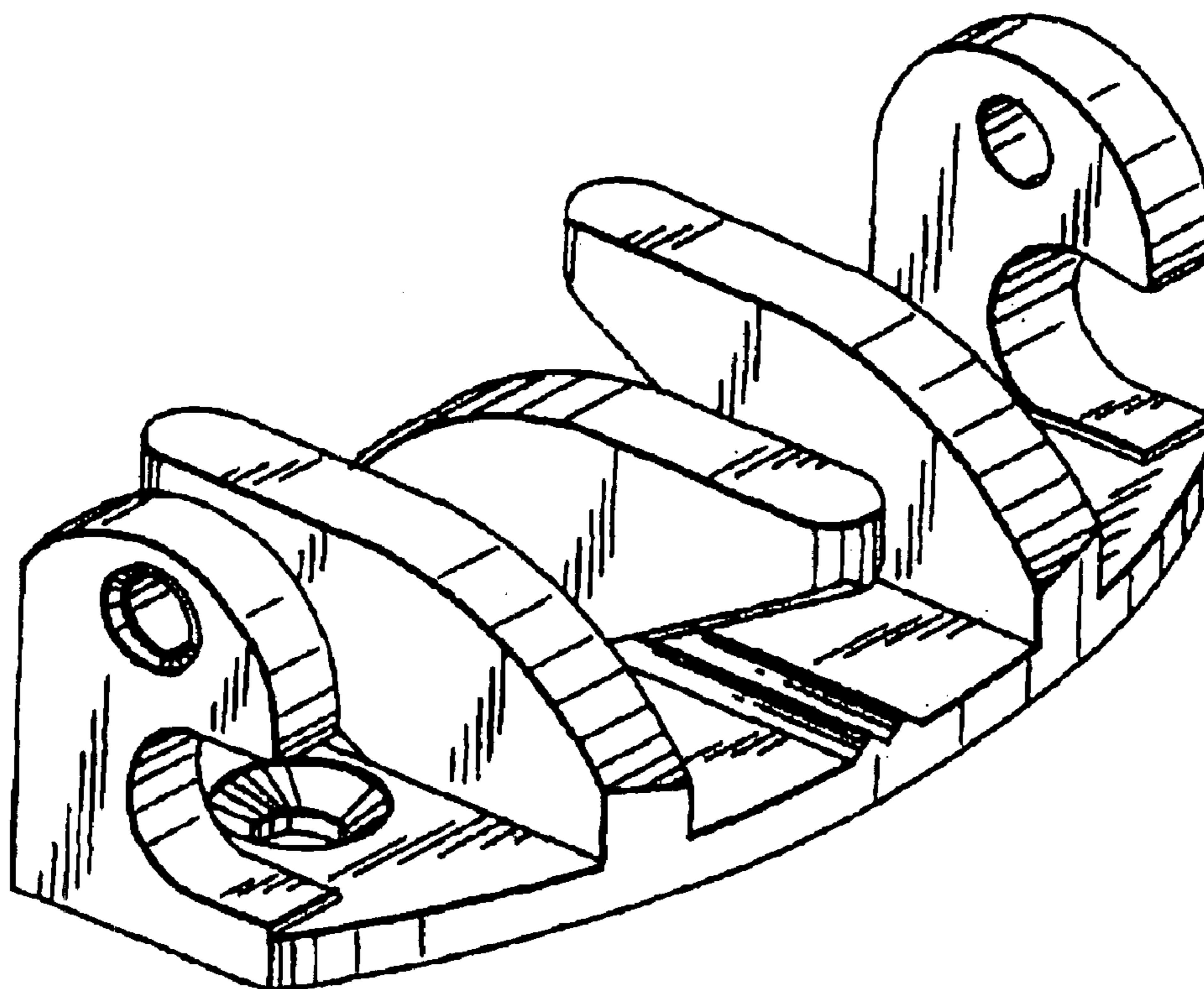
FIG. 1 is a front perspective view showing the design;
FIG. 2 is a top plan view showing the design;
FIG. 3 is a right side elevational view showing the design;
FIG. 4 is a front elevational view showing the design, the
rear view being a mirror image thereof;
FIG. 5 is a left side elevational view showing the design;
and,
FIG. 6 is a bottom plan view showing the design.

(56) **References Cited**

U.S. PATENT DOCUMENTS

D209,329 S 11/1967 Coderre et al.
D209,330 S 11/1967 Coderre et al.
4,120,077 A 10/1978 Fink
4,373,463 A 2/1983 Beaudette
D287,097 S 12/1986 Nelson

1 Claim, 3 Drawing Sheets



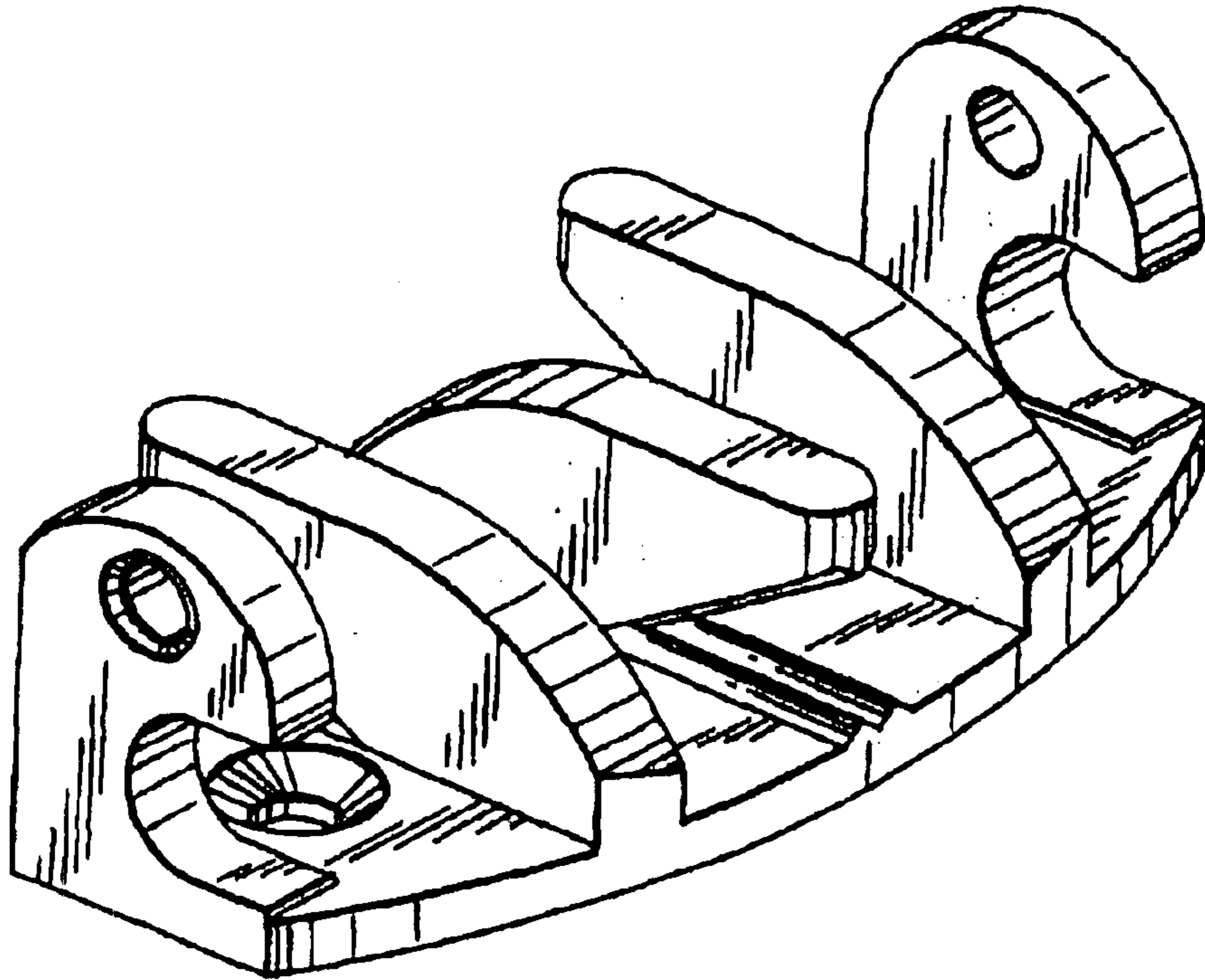


FIG. 1

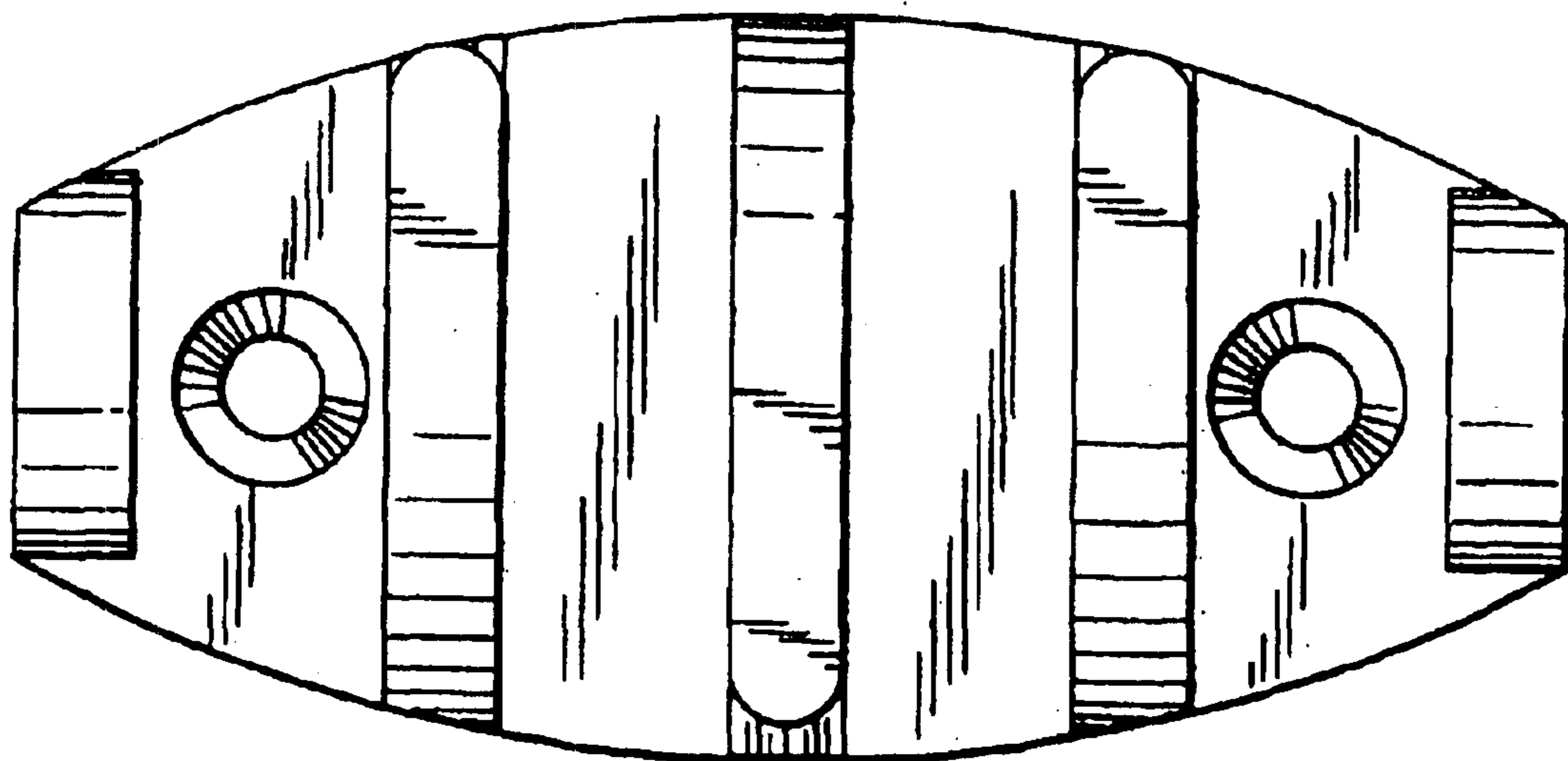


FIG. 2

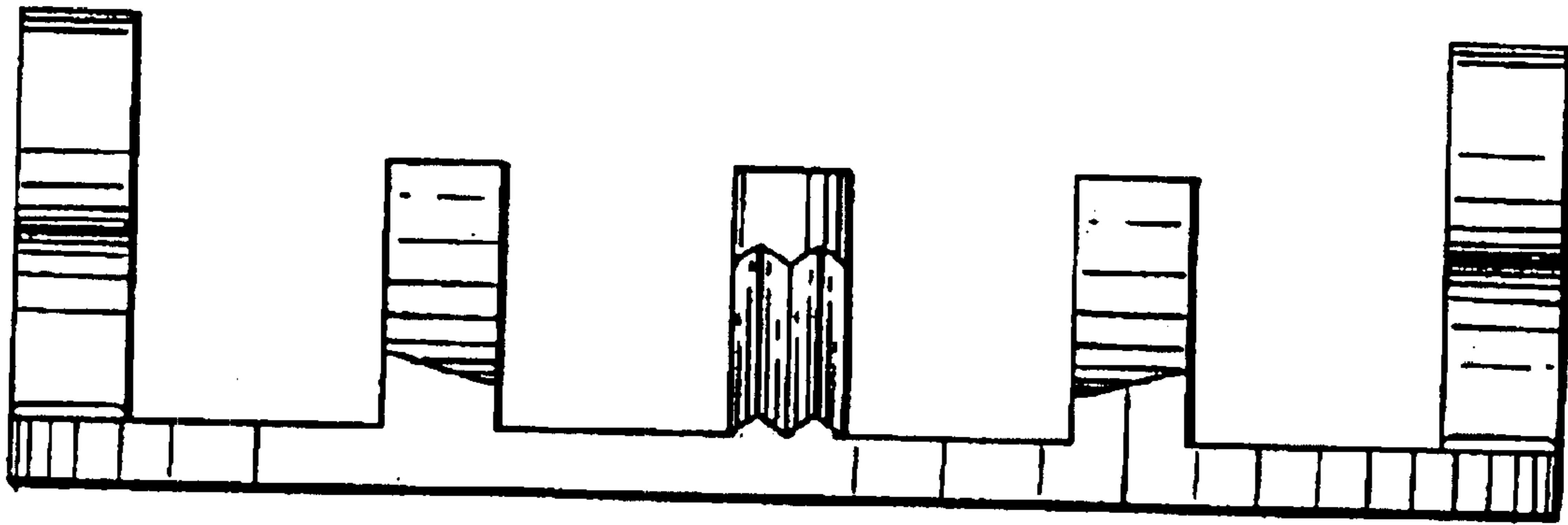


FIG. 3

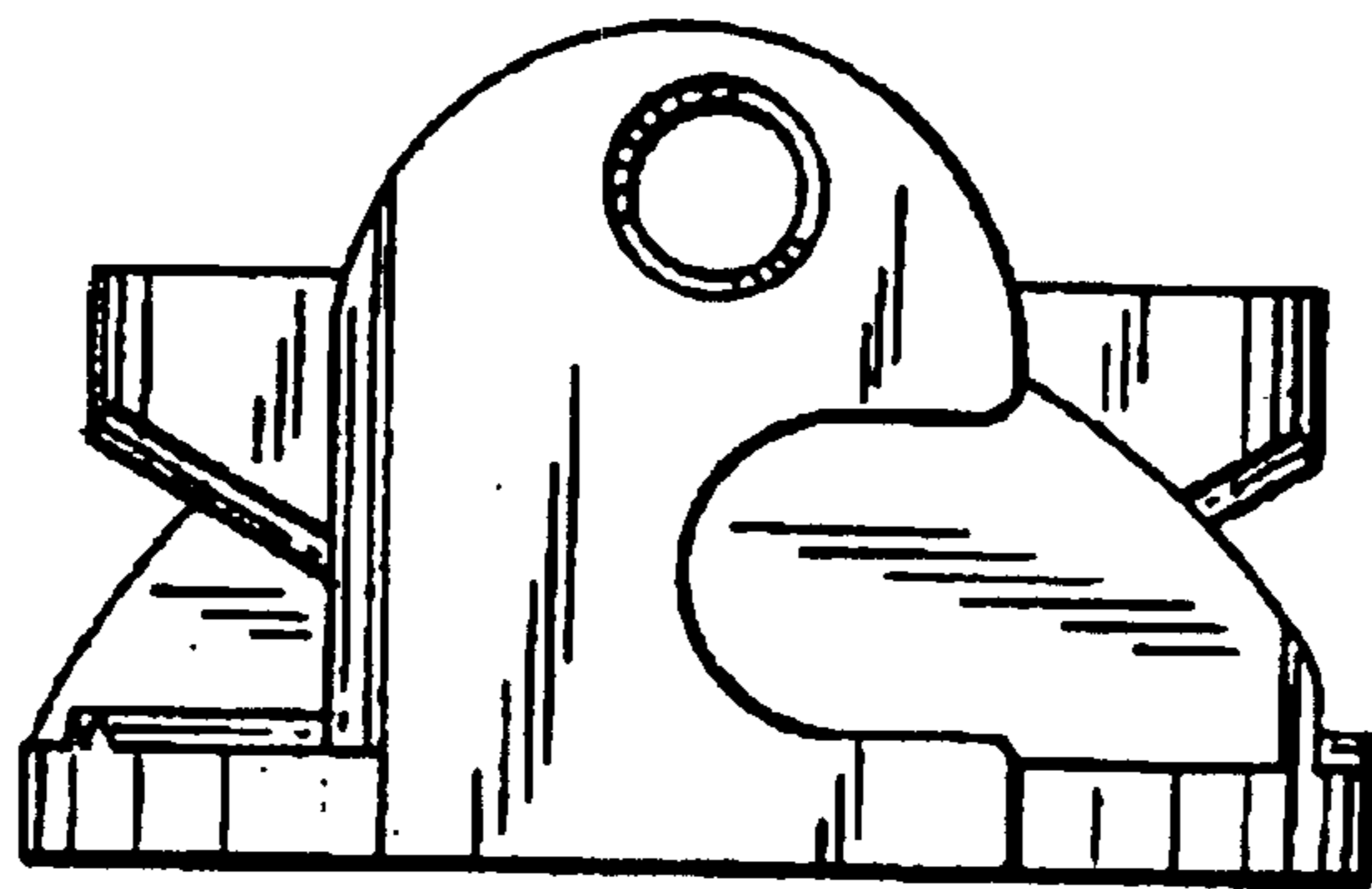


FIG. 4

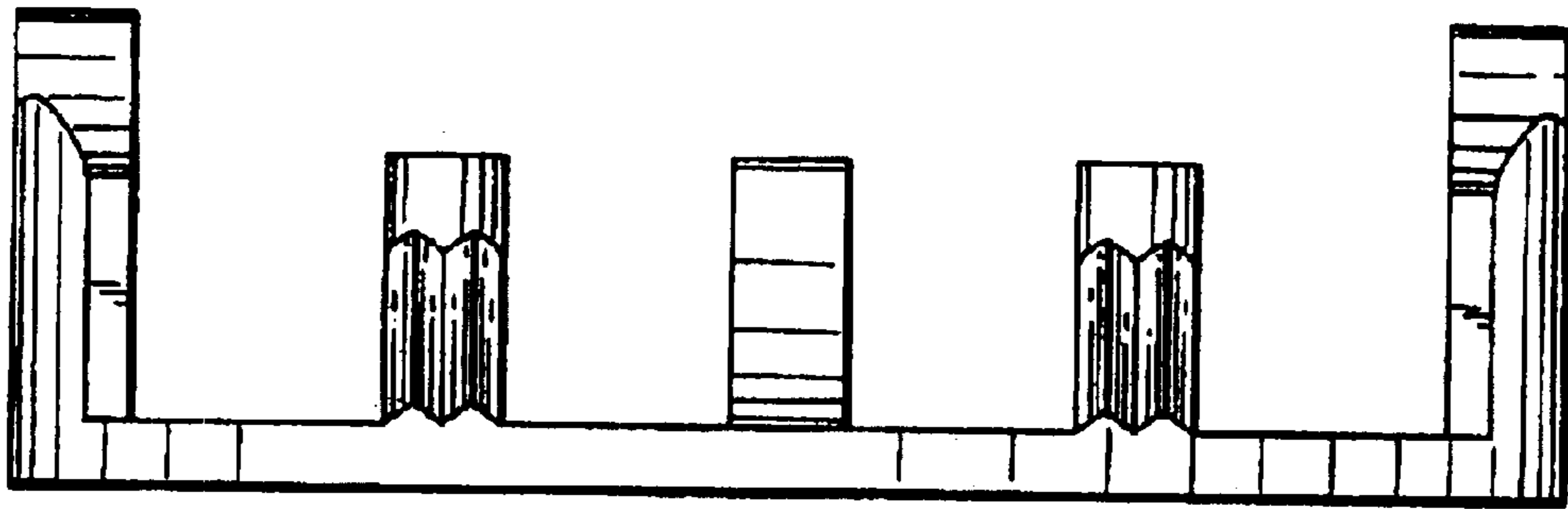


FIG. 5

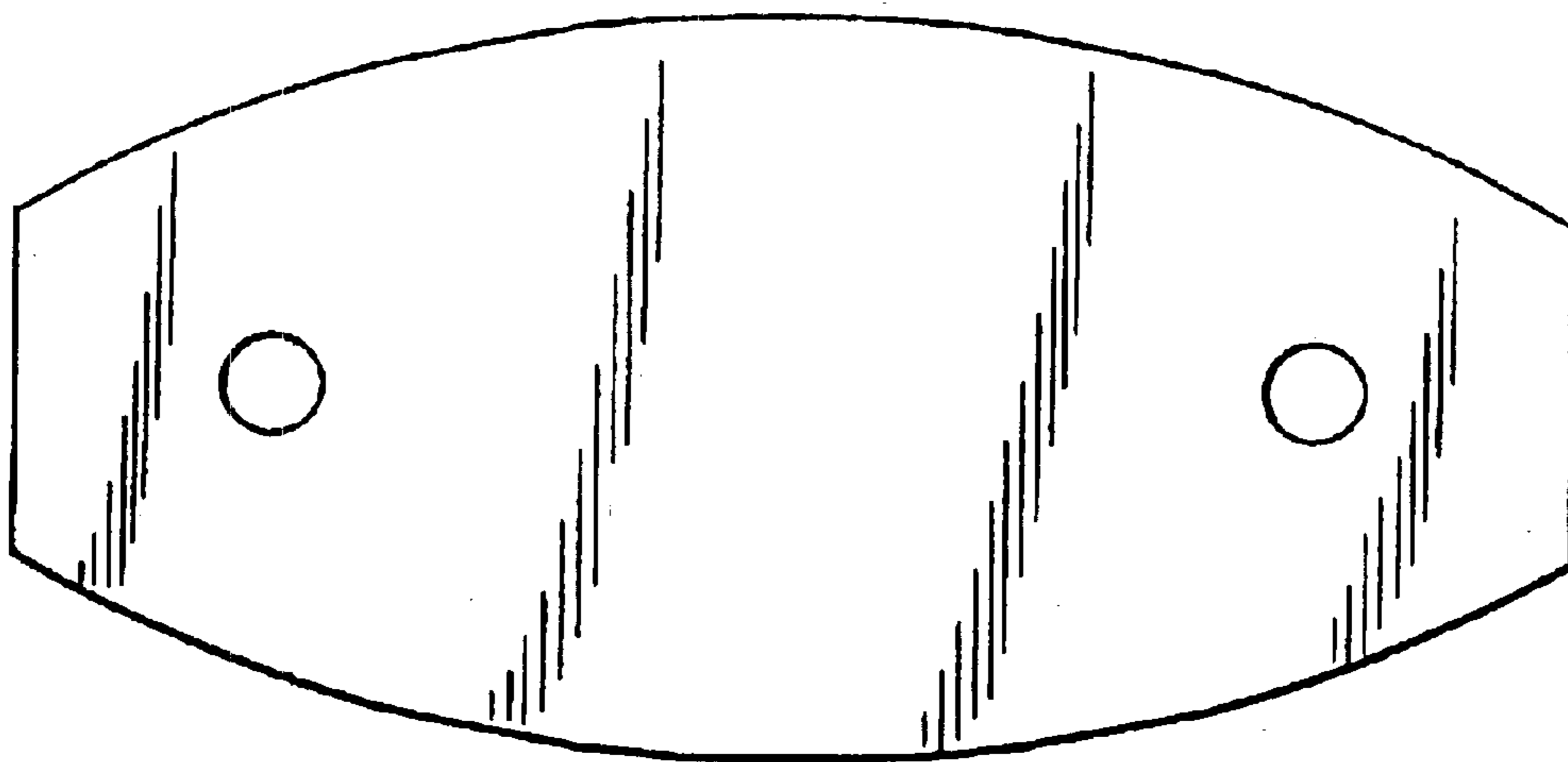


FIG. 6