

US00D497304S1

(12) **United States Design Patent**
Stoll et al.

(10) **Patent No.: US D497,304 S**
(45) **Date of Patent: ** Oct. 19, 2004**

(54) **COVER FOR A CASEMENT WINDOW HANDLE**

(75) Inventors: **Tim Stoll**, Warroad, MN (US);
Anthony Scott Head, Roosevelt, MN (US);
Brad Woodward, Warroad, MN (US);
Douglas J. VanOrnum, Minnetonka, MN (US);
Johannes N. Gaston, Minnetonka, MN (US)

(73) Assignee: **Marvin Lumber and Cedar Company**, Warroad, MN (US)

(**) Term: **14 Years**

(21) Appl. No.: **29/174,633**

(22) Filed: **Jan. 20, 2003**

(51) **LOC (7) Cl.** **08-07**

(52) **U.S. Cl.** **D8/337; D8/343**

(58) **Field of Search** D8/300, 301, 302,
D8/330, 331, 336, 337, 338, 343; 16/429;
49/460; 70/89, 137, 141, 192; 292/100,
241, 336.3, DIG. 30

(56) **References Cited**

U.S. PATENT DOCUMENTS

3,007,348 A	11/1961	Barnes	74/547
5,201,241 A *	4/1993	Pollack, Jr.	74/547
5,400,473 A	3/1995	Delman	16/115
D361,490 S	8/1995	Vetter	D8/307
5,531,138 A *	7/1996	Vetter	74/606 R
5,740,632 A	4/1998	Peterson et al.	49/460
5,927,771 A *	7/1999	Simon et al.	292/241
6,164,156 A	12/2000	Purcell	74/547
D451,781 S	12/2001	Vande Steeg et al.	D8/309
D459,982 S	7/2002	Vande Steeg et al.	D8/400

D461,391 S *	8/2002	Houdek et al.	D8/320
6,450,063 B1	9/2002	Harvey et al.	74/547
6,598,265 B2 *	7/2003	Lee	16/429
D487,012 S *	2/2004	Stoll et al.	D8/337
2002/0066162 A1	6/2002	Klompenburg et al.	16/429

* cited by examiner

Primary Examiner—Adir Aronovich
(74) *Attorney, Agent, or Firm*—Schwegman, Lundberg, Woessner & Kluth, P.A.

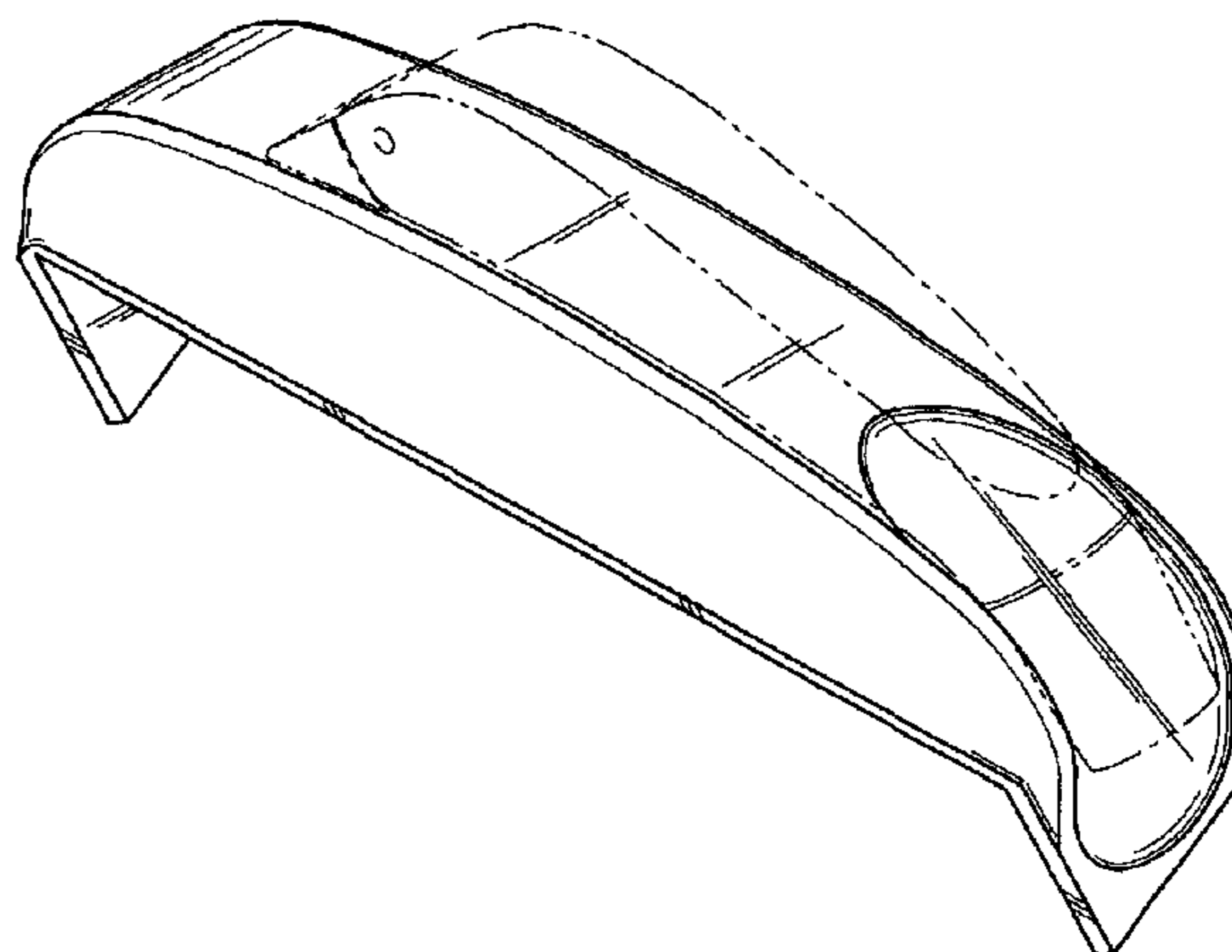
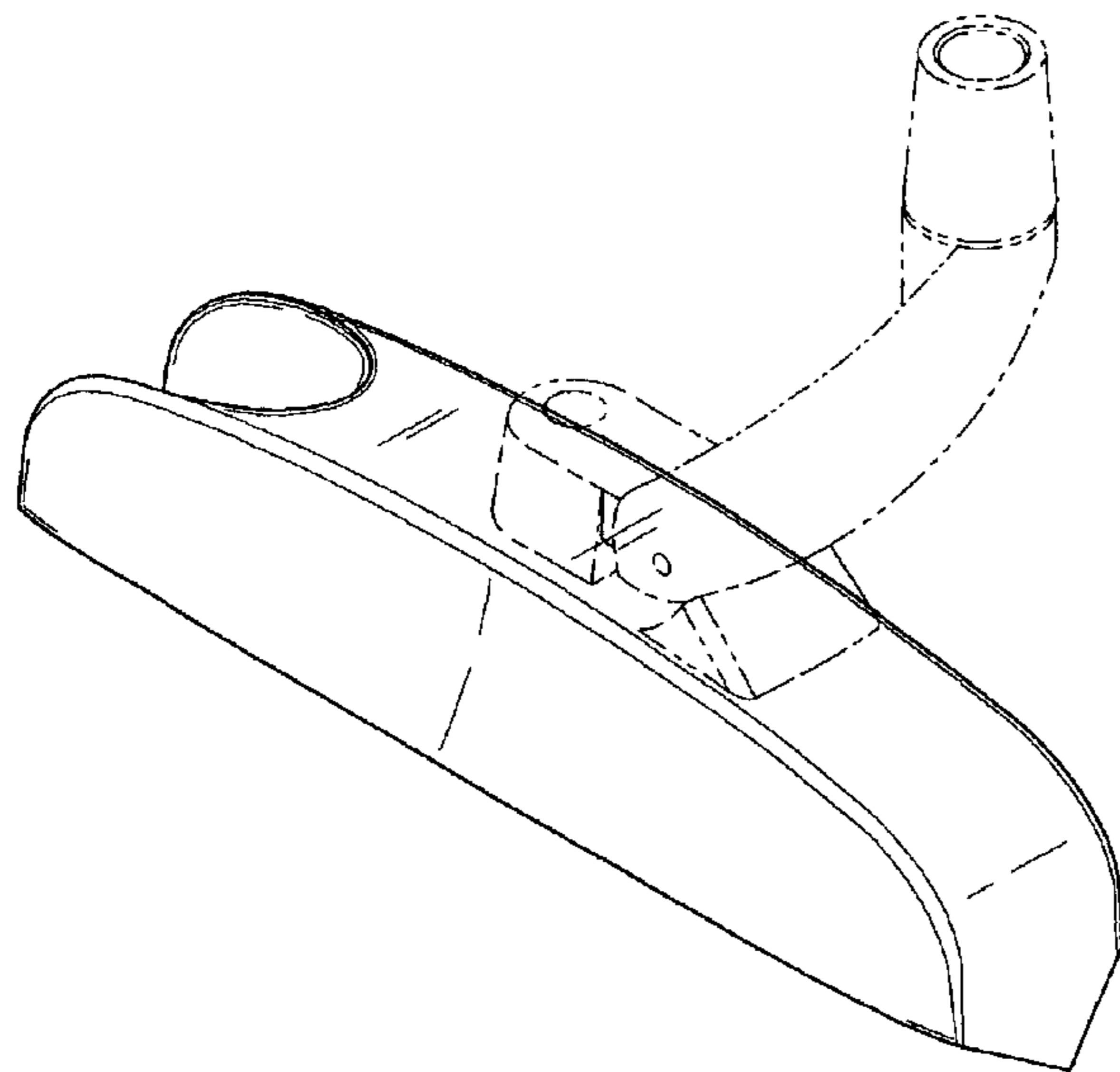
(57) **CLAIM**

The ornamental design for a cover for a casement window handle, as shown and described.

DESCRIPTION

FIG. 1 is an isometric view of a cover for a casement window handle in accordance with our invention;
FIG. 2 is a front elevational view of the cover for a casement window handle of FIG. 1;
FIG. 3 is a rear elevational view of the cover for a casement window handle of FIG. 1;
FIG. 4 is a top plan view of the cover for a casement window handle of FIG. 1;
FIG. 5 is a top plan view of the cover for a casement window handle of FIG. 1;
FIG. 6 is a left side elevational view of the cover for a casement window handle of FIG. 1;
FIG. 7 is a right side elevational view of the cover for a casement window handle of FIG. 1; and,
FIG. 8 is an opposite isometric view of a cover for a casement window handle of FIG. 1.
The portions of the article in broken lines are shown for illustrative purposes only and form no part of the claimed design.

1 Claim, 6 Drawing Sheets



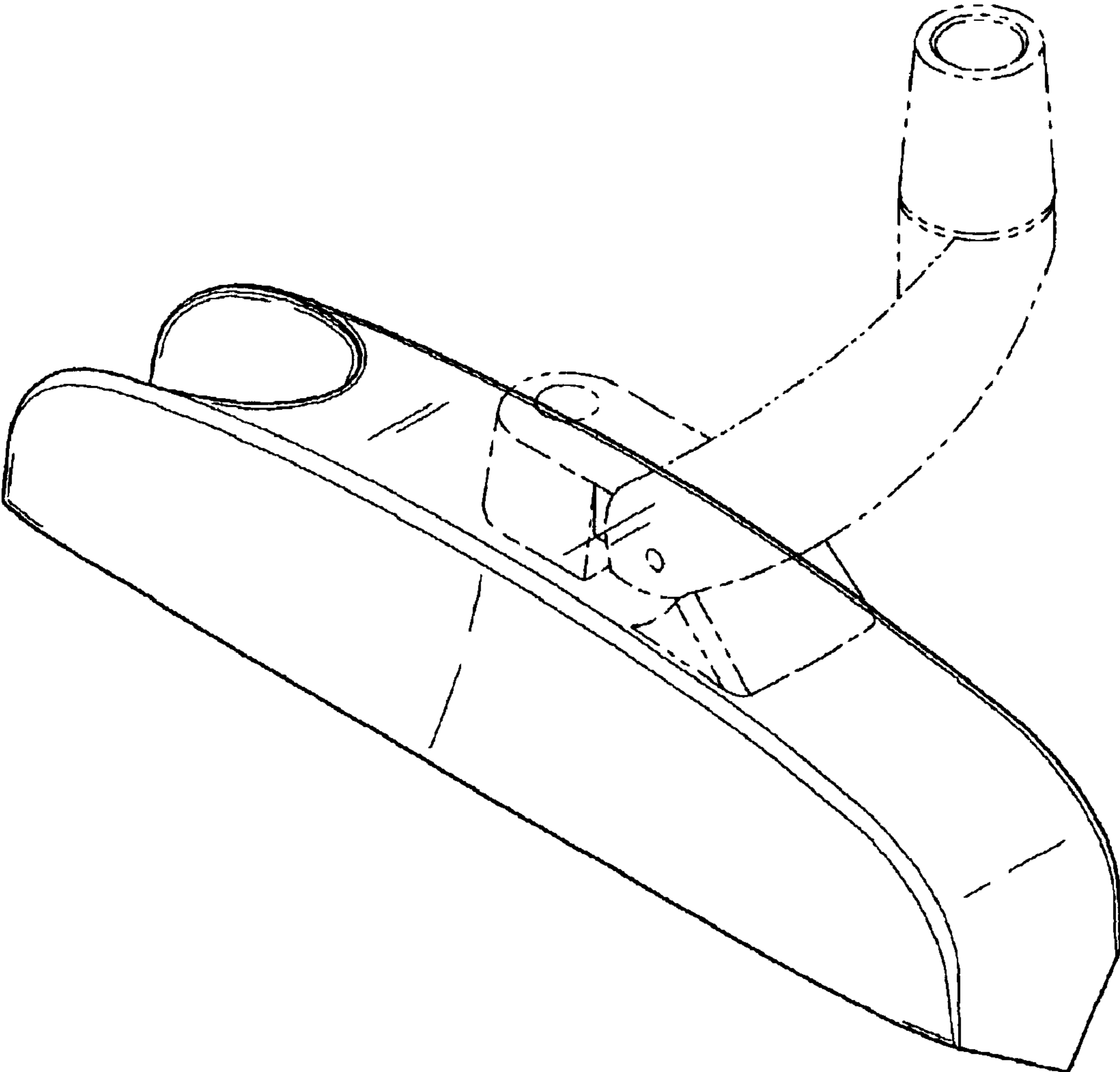


FIG. 1

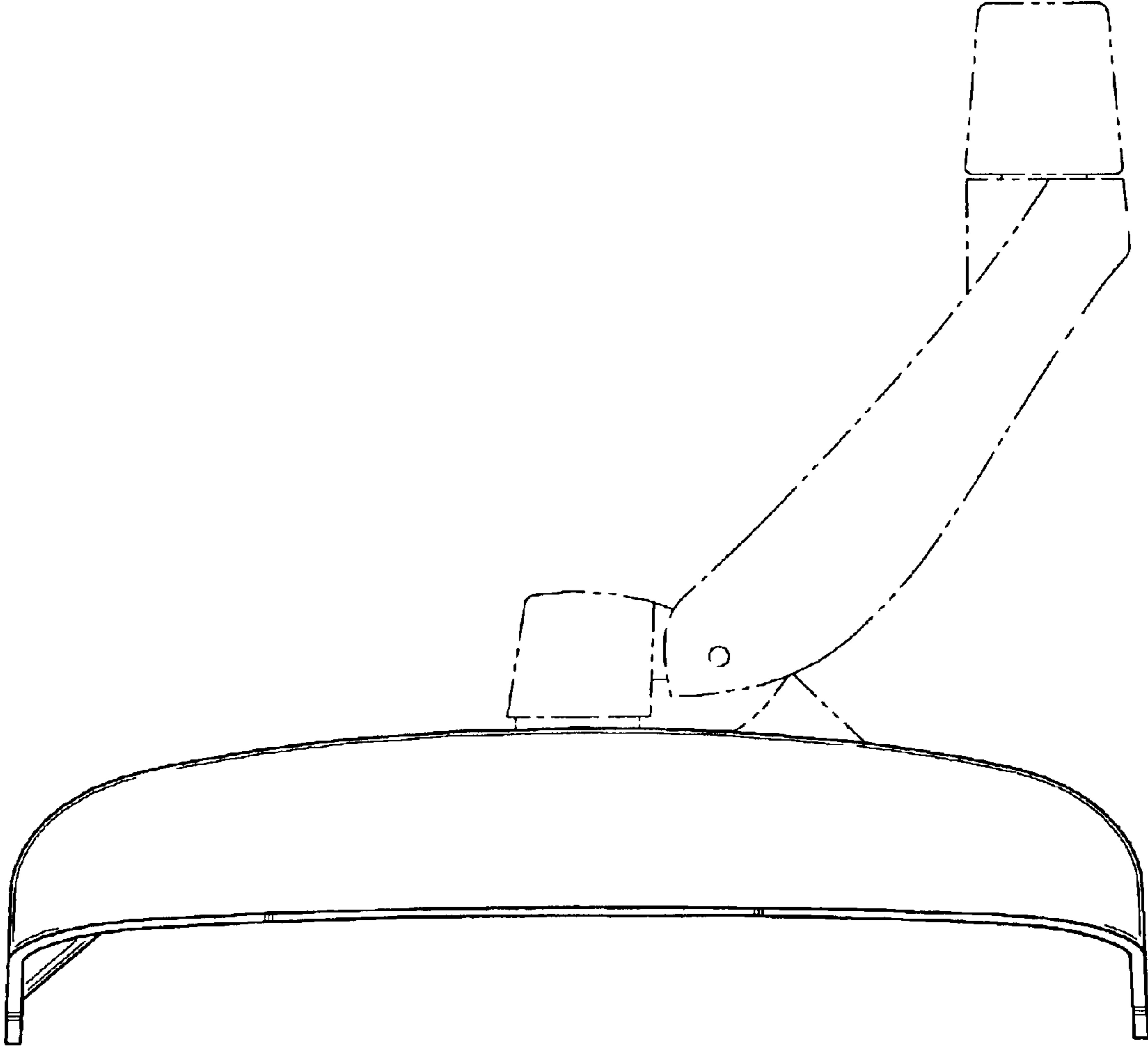


FIG. 2

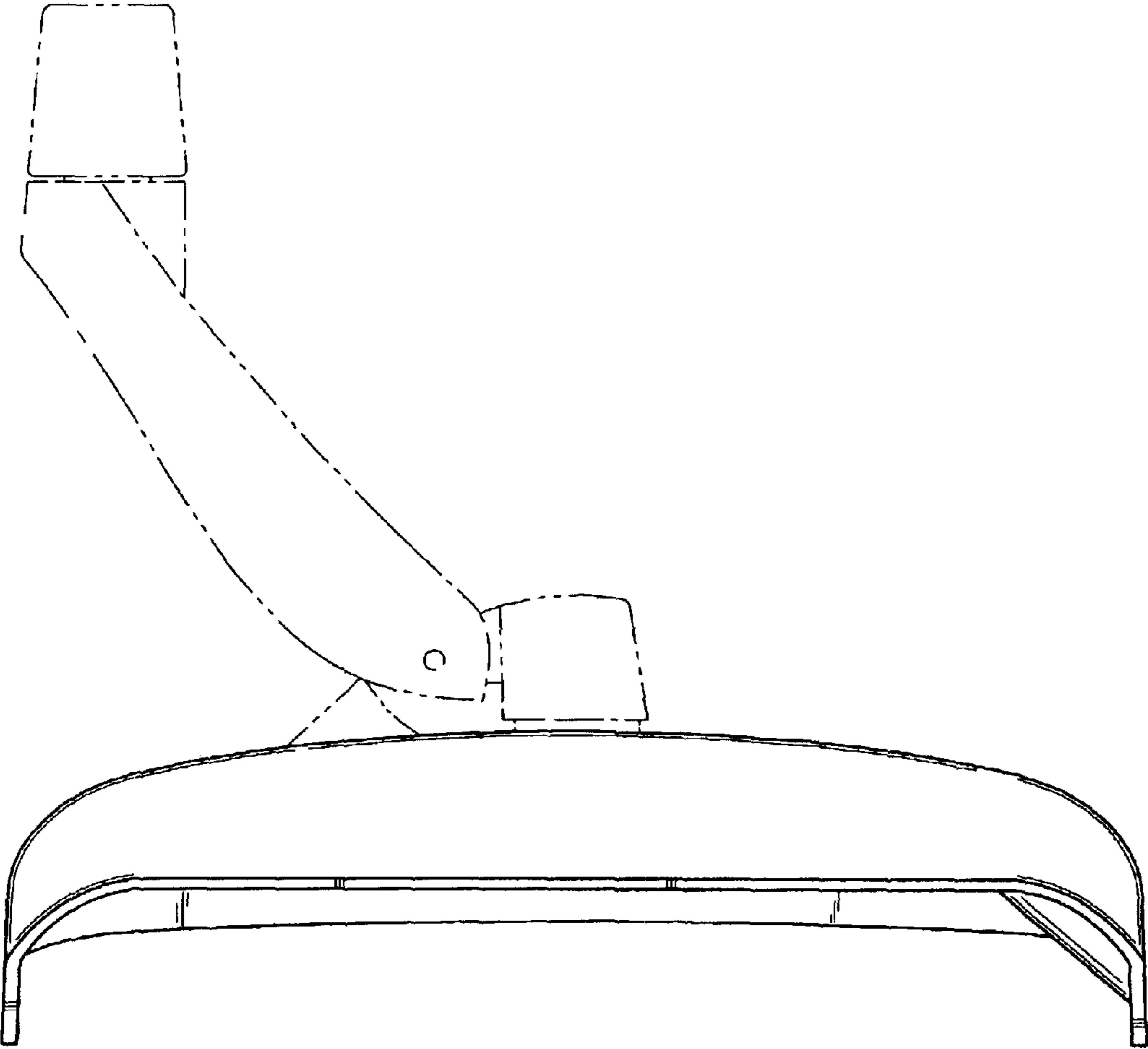


FIG. 3

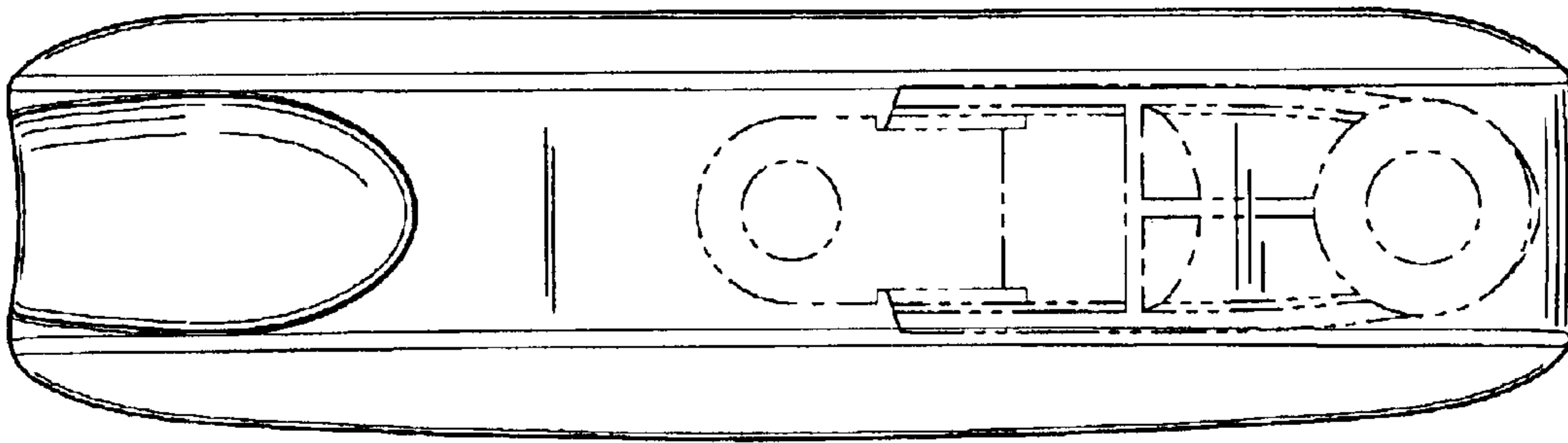


FIG. 4

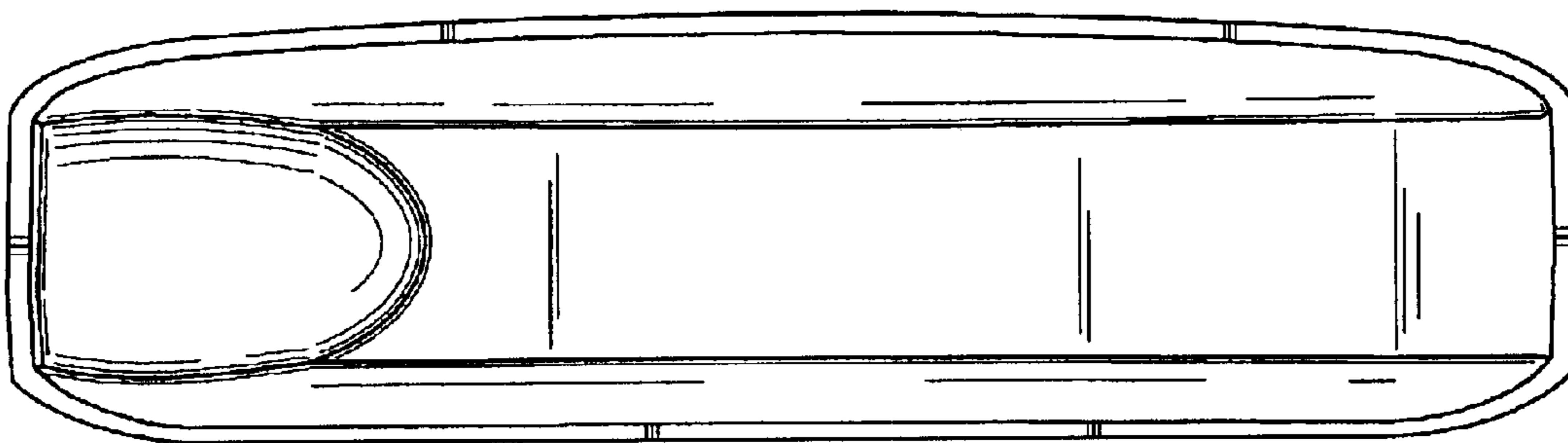


FIG. 5

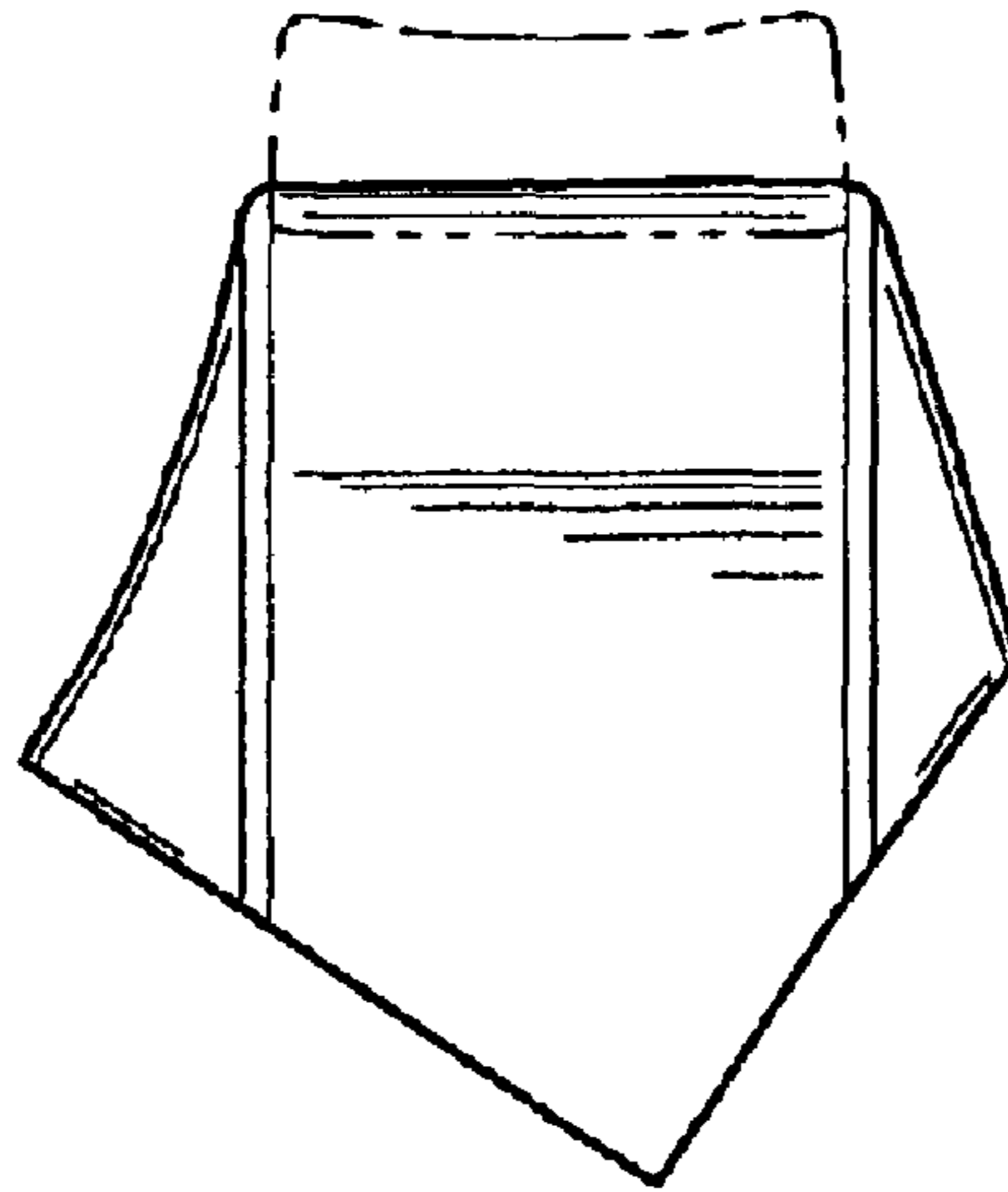


FIG. 6

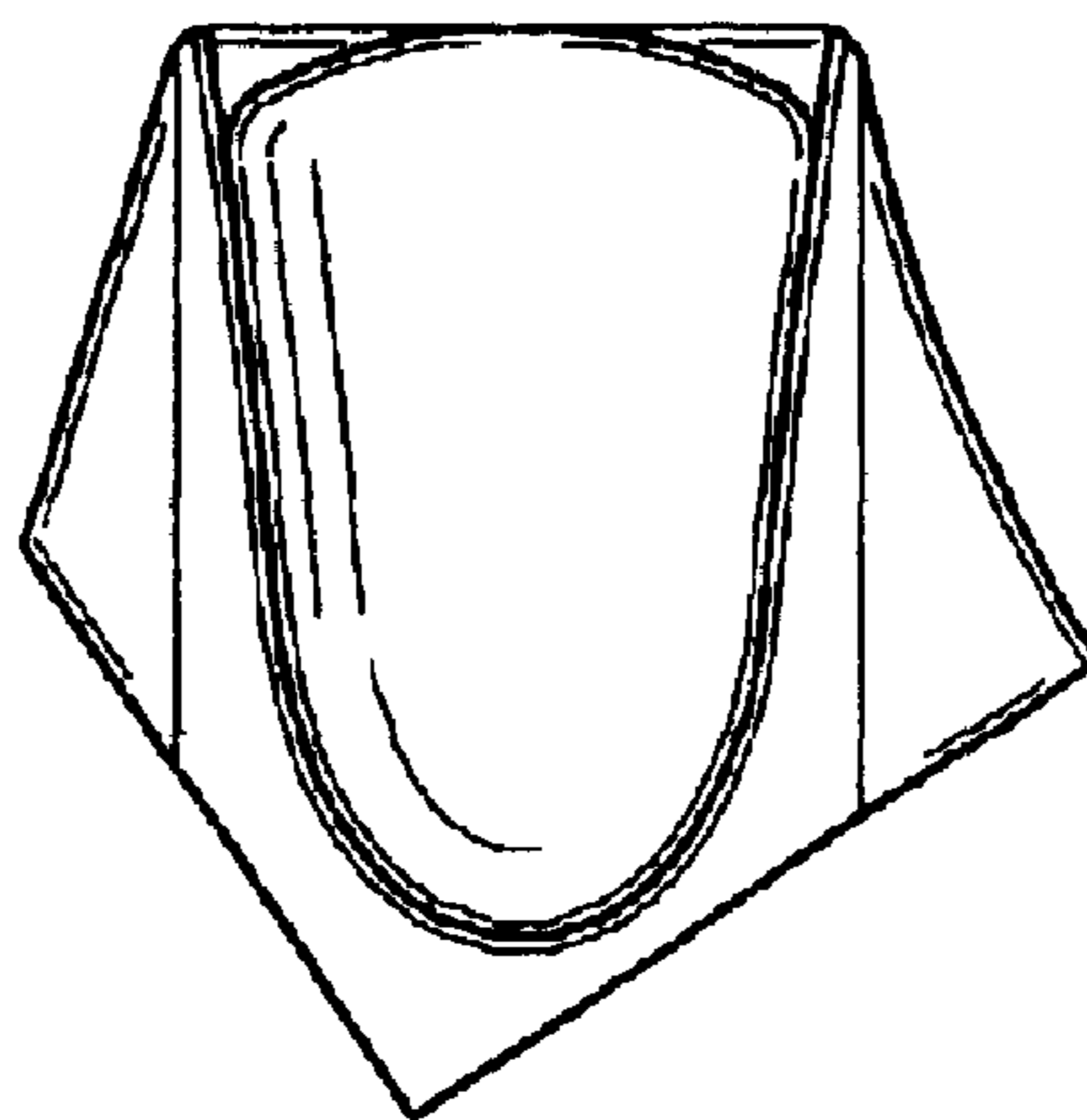


FIG. 7

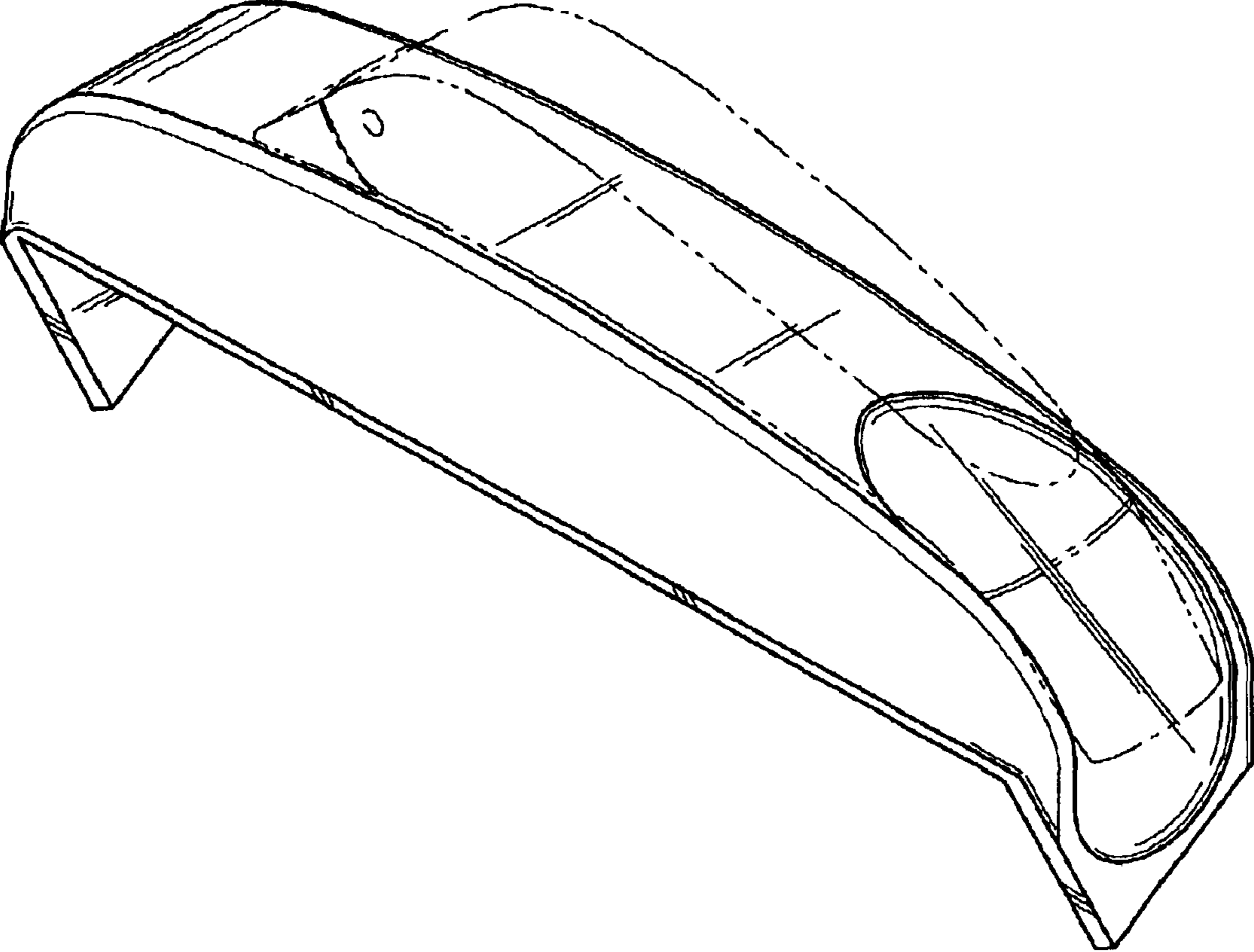


FIG. 8