



US00D497301S1

(12) **United States Design Patent**
Kondo et al.

(10) **Patent No.: US D497,301 S**
(45) **Date of Patent: ** Oct. 19, 2004**

(54) **UTILITY KNIFE**

(75) Inventors: **Katsuyuki Kondo, Otsu (JP);**
Mitsuhiro Takamasa, Kyoto (JP)

(73) Assignee: **KDS Corporation, Kyoto (JP)**

(**) Term: **14 Years**

(21) Appl. No.: **29/188,300**

(22) Filed: **Aug. 18, 2003**

(30) **Foreign Application Priority Data**

Jul. 7, 2003 (JP) 2003-019532

(51) **LOC (7) Cl. 08-03**

(52) **U.S. Cl. D8/99**

(58) **Field of Search D8/99, 98, 107;**
30/161, 162, 320, 335, 337, 329

(56) **References Cited**

U.S. PATENT DOCUMENTS

D264,803 S	*	6/1982	Machida	D8/99
D324,475 S	*	3/1992	Staubitz et al.	D8/99
D354,900 S	*	1/1995	Hirai	D8/99
D386,959 S	*	12/1997	Okada	D8/99
D398,829 S	*	9/1998	Okada	D8/99
D399,114 S	*	10/1998	Okada	D8/99

D431,170 S	*	9/2000	Okada	D8/98
D436,825 S	*	1/2001	Chen	D8/99
D443,494 S	*	6/2001	Okada	D8/99
D443,807 S	*	6/2001	Okada	D8/99
D453,673 S	*	2/2002	Chen	D8/99
D459,189 S	*	6/2002	Chong	D8/99

* cited by examiner

Primary Examiner—Philip S. Hyder

(74) *Attorney, Agent, or Firm*—Birch, Stewart, Kolasch & Birch, LLP

(57) **CLAIM**

The ornamental design for a utility knife, as shown.

DESCRIPTION

FIG. 1 is a perspective view of a utility knife showing our new design;
FIG. 2 is a front view thereof;
FIG. 3 is a rear view thereof;
FIG. 4 is a top plan view thereof;
FIG. 5 is a bottom plan view thereof;
FIG. 6 is a right side view thereof;
FIG. 7 is a left side view; and,
FIG. 8 is a perspective view of the utility knife with the blade in the extended state.

1 Claim, 3 Drawing Sheets

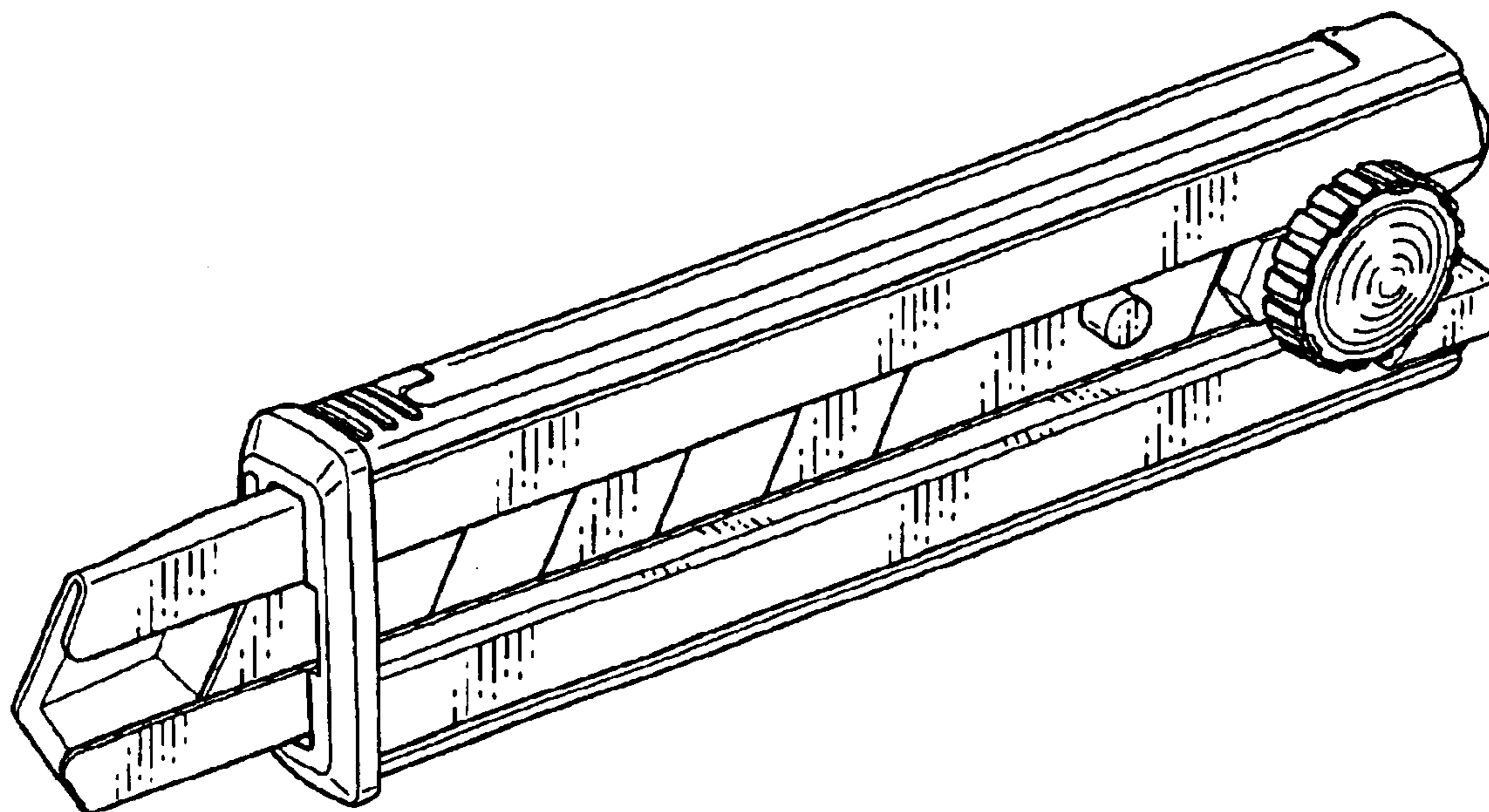


FIG. 1

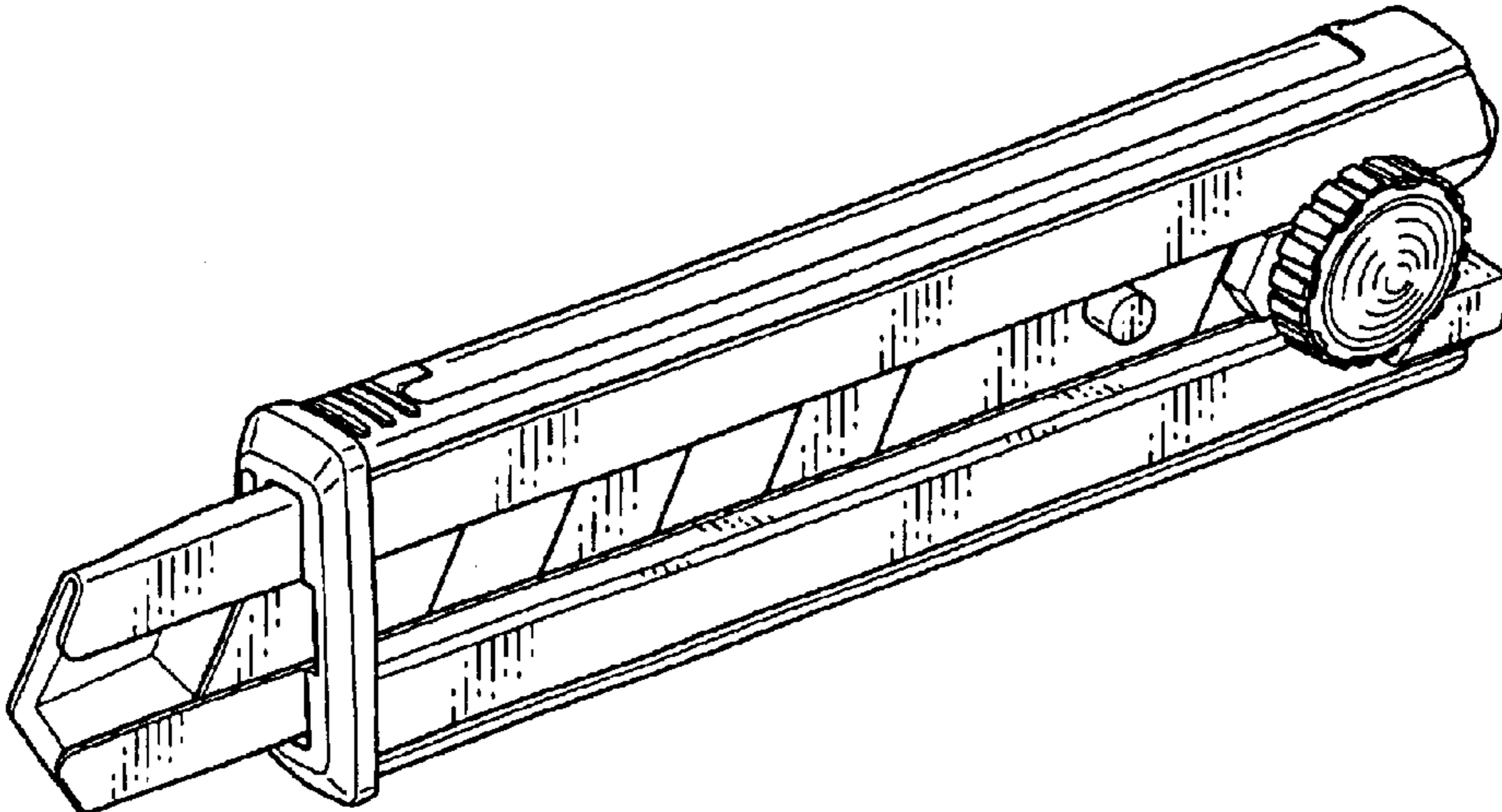
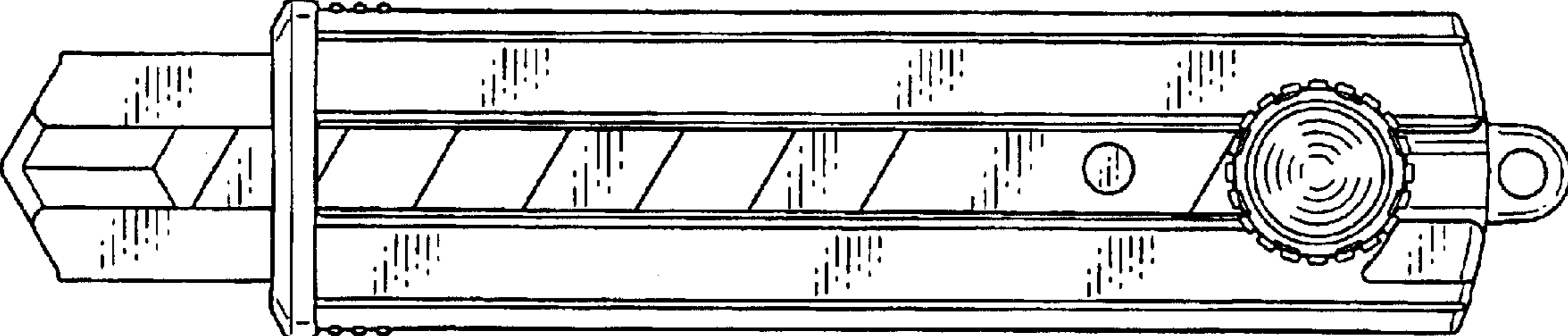


FIG. 2



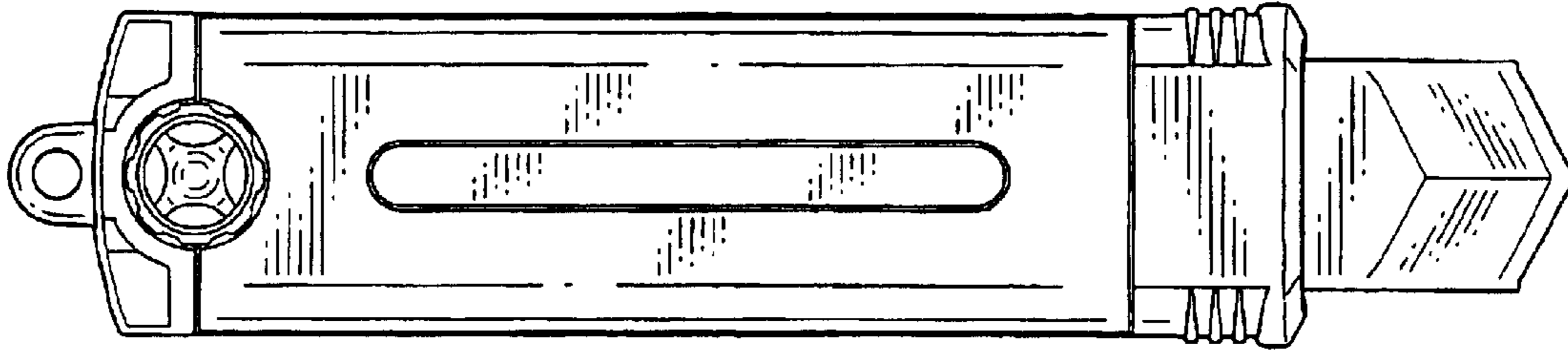


FIG. 4

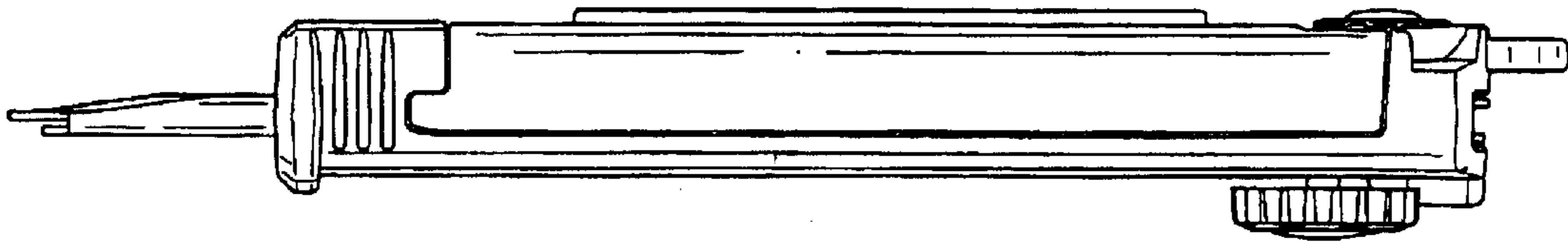


FIG. 5

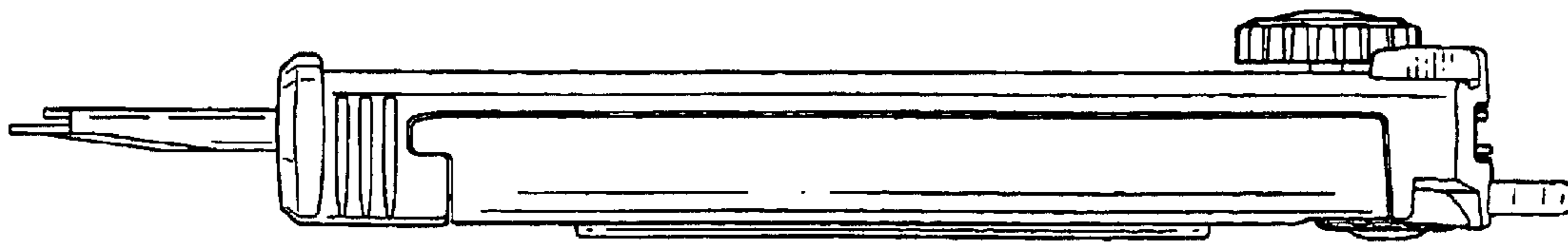


FIG. 6

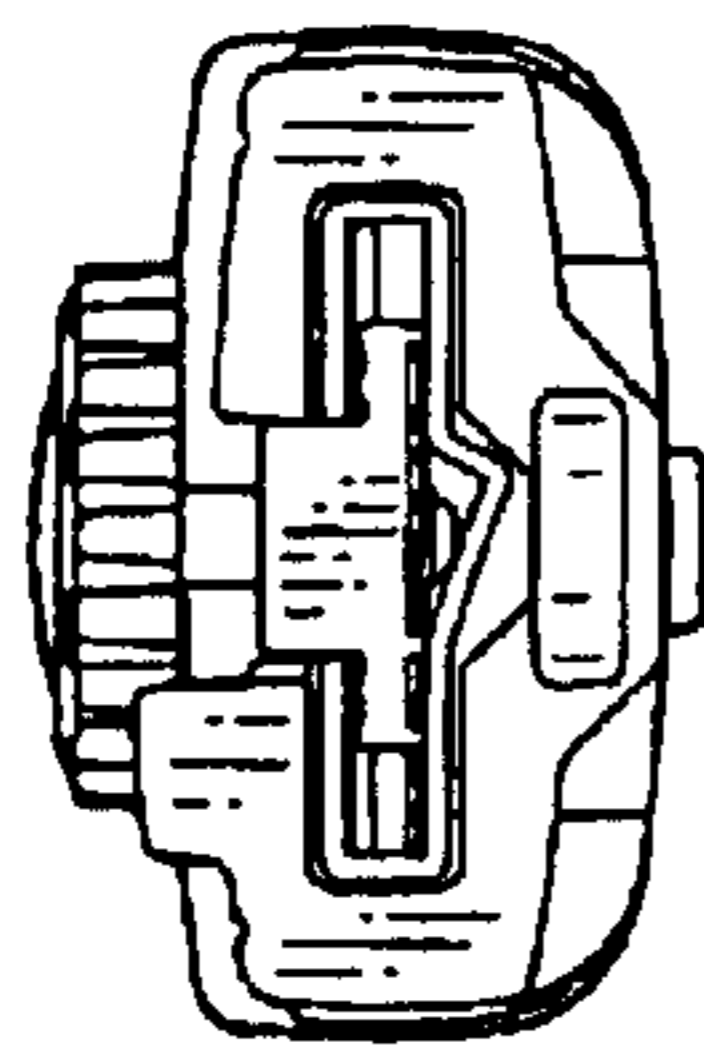


FIG. 7

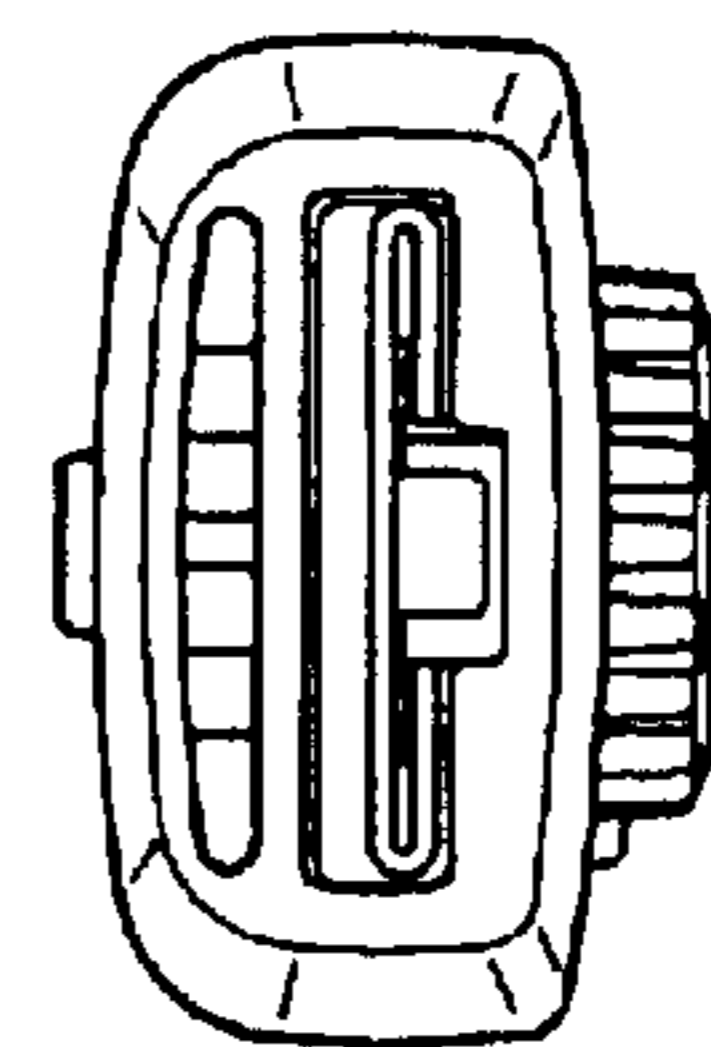


FIG. 8

