

US00D497300S1

(12) **United States Design Patent**
Chen

(10) **Patent No.:** **US D497,300 S**
(45) **Date of Patent:** **** Oct. 19, 2004**

- (54) **CAP FOR QUICK CONNECTORS**
- (76) **Inventor:** **Chang-Ying Chen**, No. 5, Alley 320,
Shi Hu Rd., Ta Li Hsiang, Taichung
Hsien (TW)
- (**) **Term:** **14 Years**
- (21) **Appl. No.:** **29/183,020**
- (22) **Filed:** **Jun. 5, 2003**
- (51) **LOC (7) Cl.** **08-04**
- (52) **U.S. Cl.** **D8/85; D8/70**
- (58) **Field of Search** D8/14, 82, 83,
D8/84, 85, 86, 107, 70; D19/48; D15/140;
81/63.1, 439, 440; 408/238

- D457,797 S * 5/2002 Huang D8/70
- D476,875 S * 7/2003 Chen D8/85
- D478,263 S * 8/2003 Welsh D8/70
- D479,253 S * 9/2003 Chen D15/140

* cited by examiner

Primary Examiner—Philip S. Hyder
(74) *Attorney, Agent, or Firm*—Rosenberg, Klein & Lee

(57) **CLAIM**

The ornamental design for a cap for quick connectors, as shown and described.

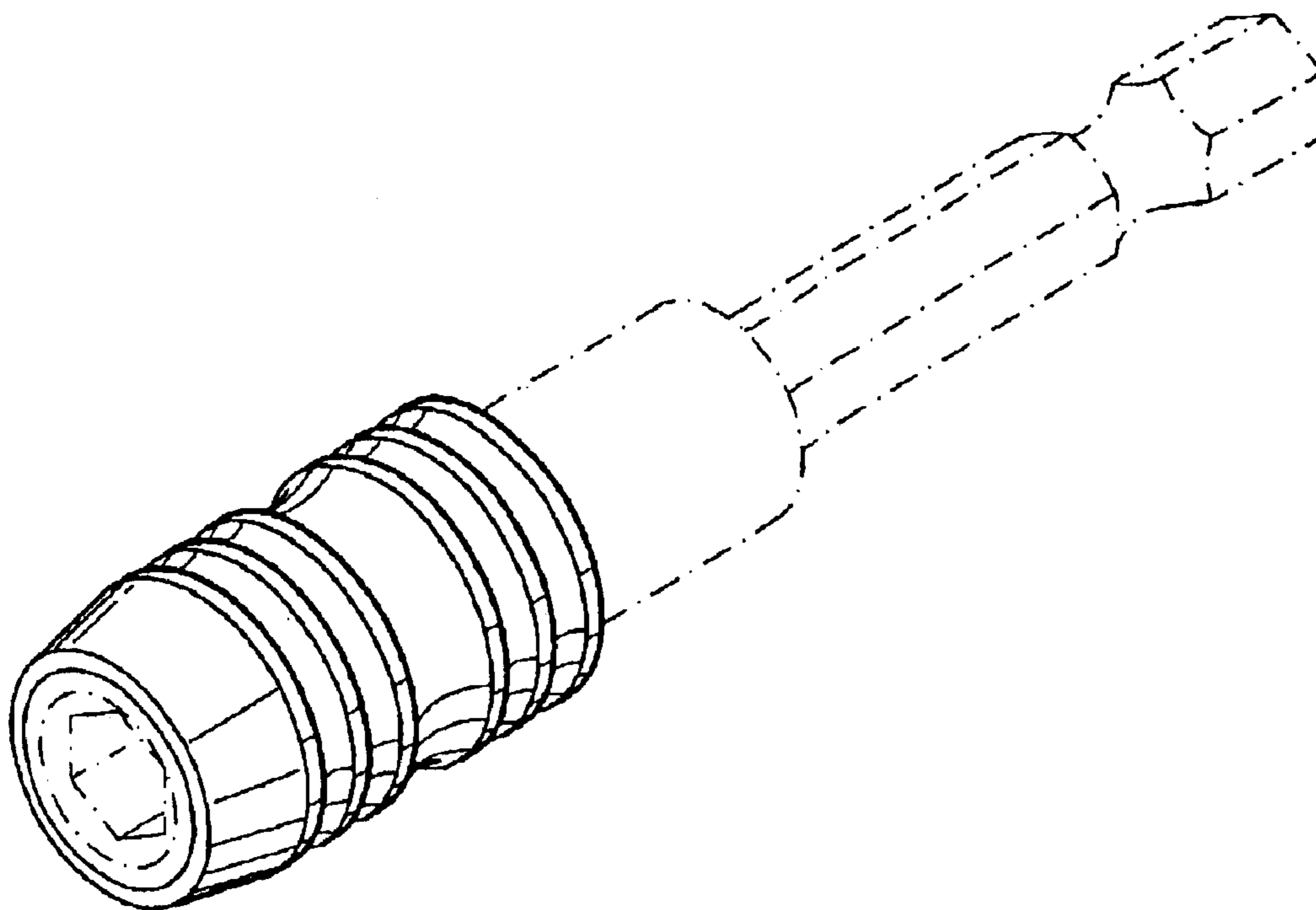
DESCRIPTION

FIG. 1 is a perspective view of cap for quick connectors showing my new design;
FIG. 2 is a front elevational view thereof; with the top and the bottom being identical to that shown;
FIG. 3 is a rear elevational view thereof;
FIG. 4 is a left side elevational view thereof;
FIG. 5 is a right side elevational view thereof; and,
FIG. 6 is a perspective view thereof, wherein the broken line structure is for illustrative purposes only and forms no part of the claimed design.

1 Claim, 4 Drawing Sheets

(56) **References Cited**
U.S. PATENT DOCUMENTS

- 4,296,656 A * 10/1981 Ernst 81/429
- D398,935 S * 9/1998 Chevalier D19/58
- D415,180 S * 10/1999 Rosanwo D15/140
- D427,241 S * 6/2000 Izushima D19/55
- D429,262 S * 8/2000 Streich D15/140
- D449,504 S * 10/2001 Boyle et al. D8/70
- D457,046 S * 5/2002 Boyle et al. D8/70



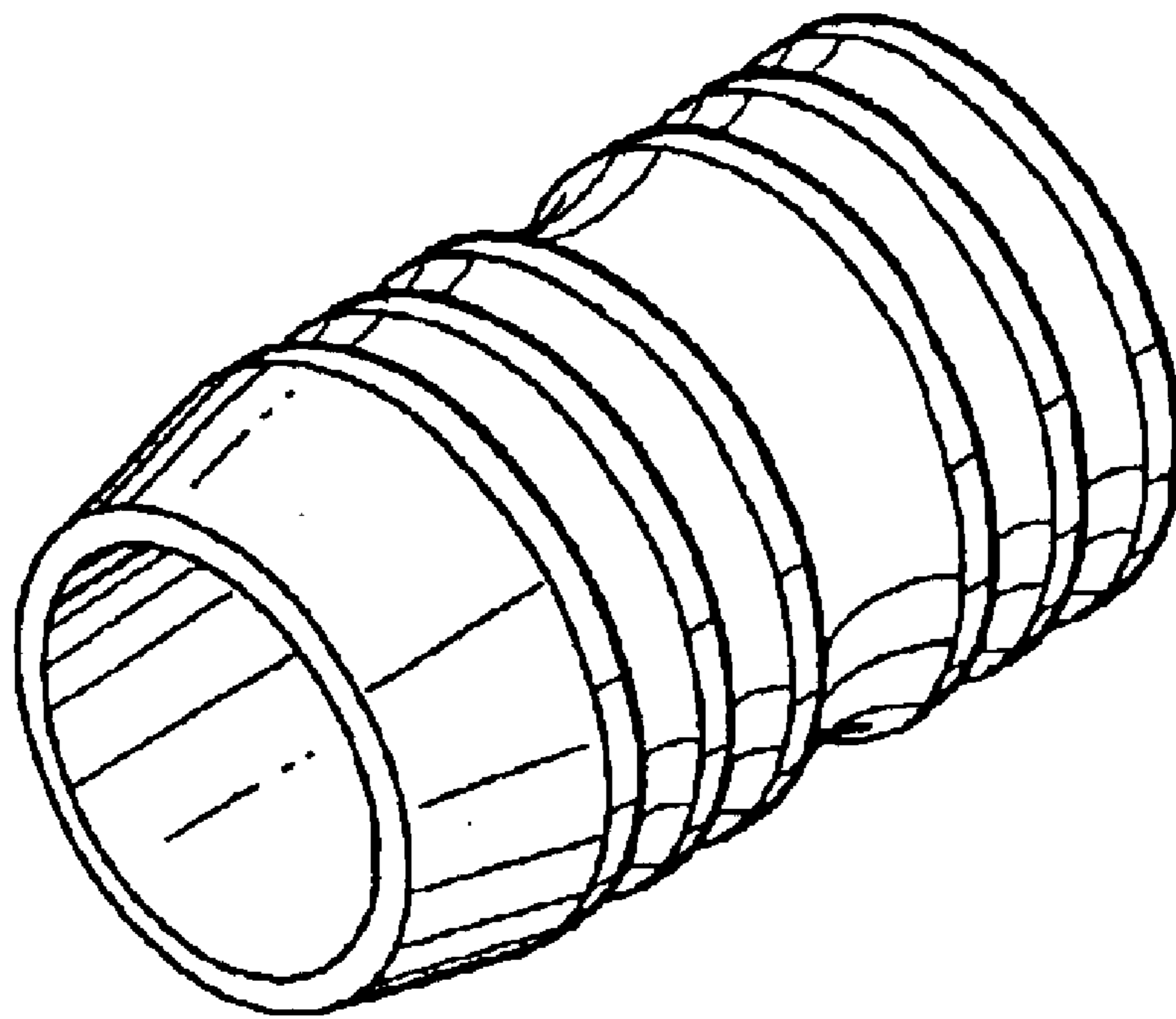


FIG. 1

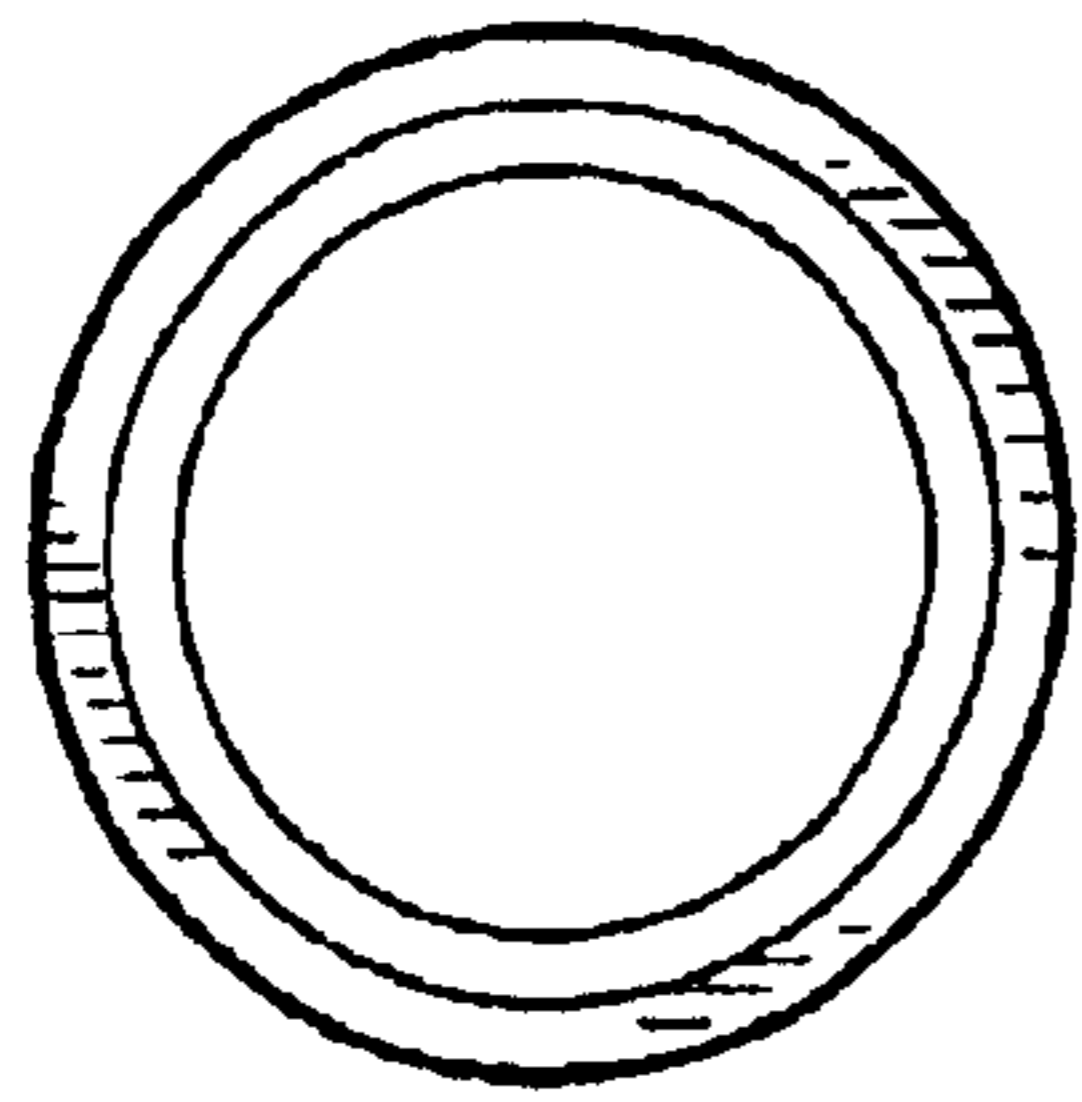


FIG. 4

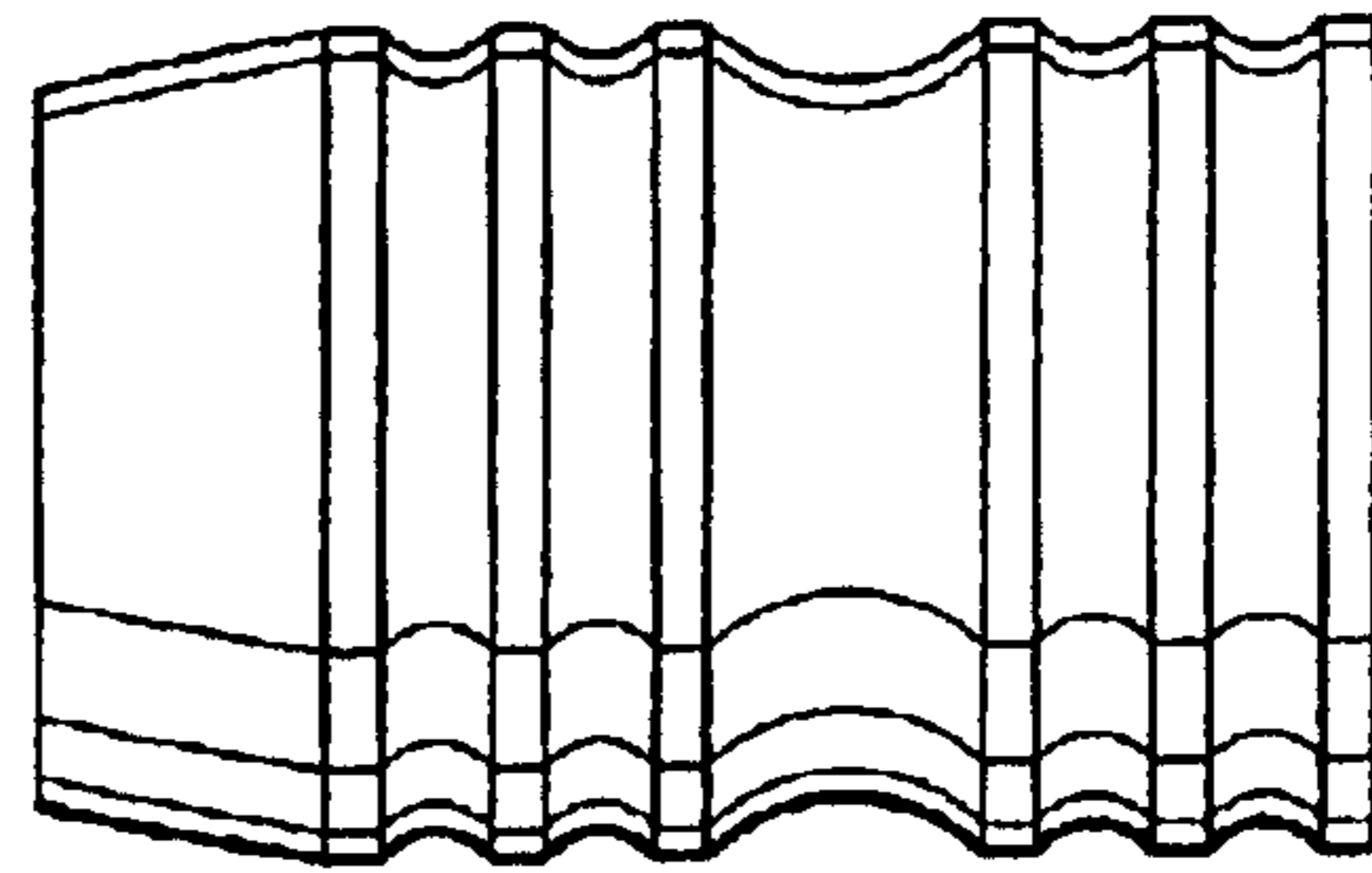


FIG. 2

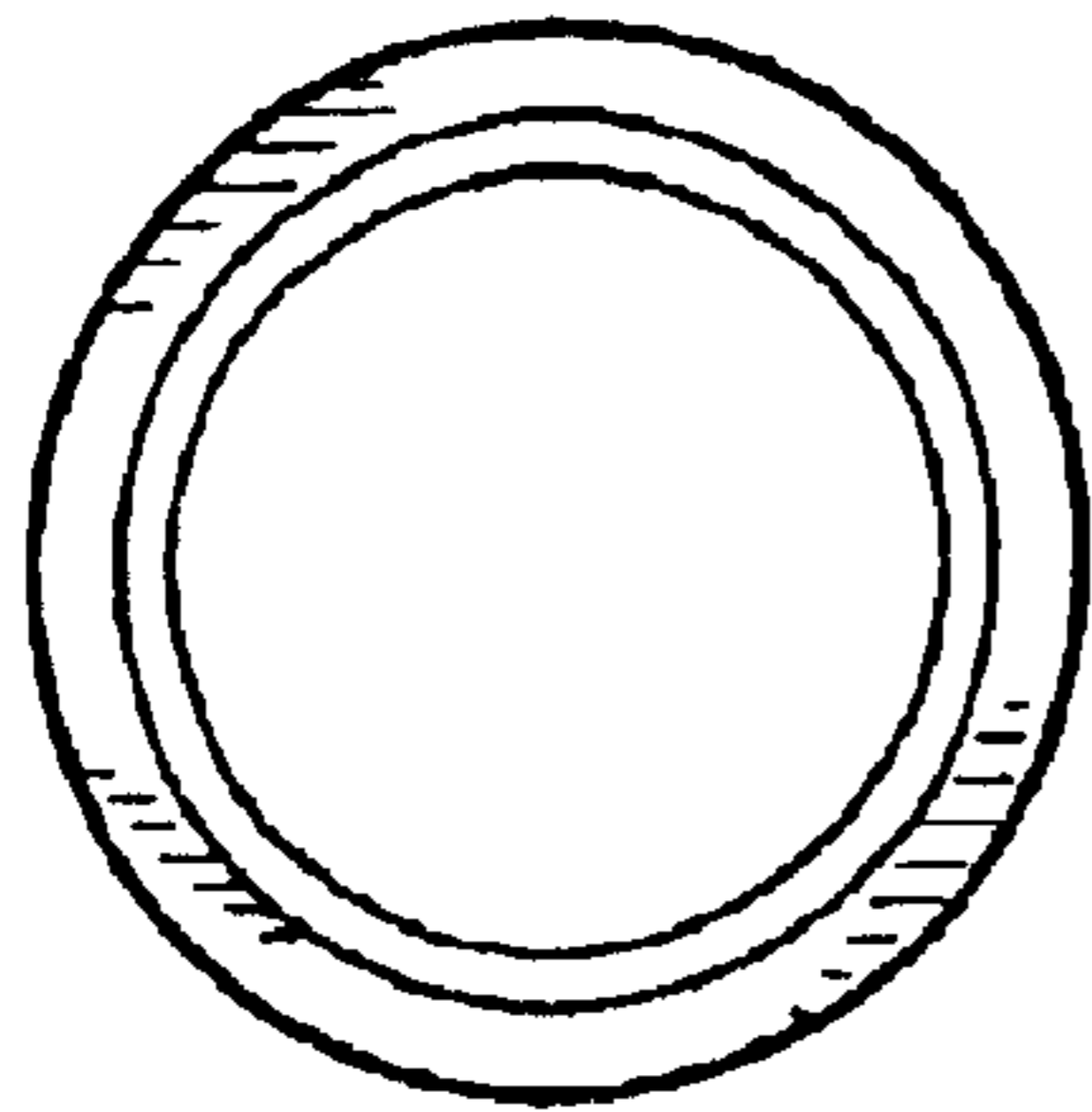


FIG. 5

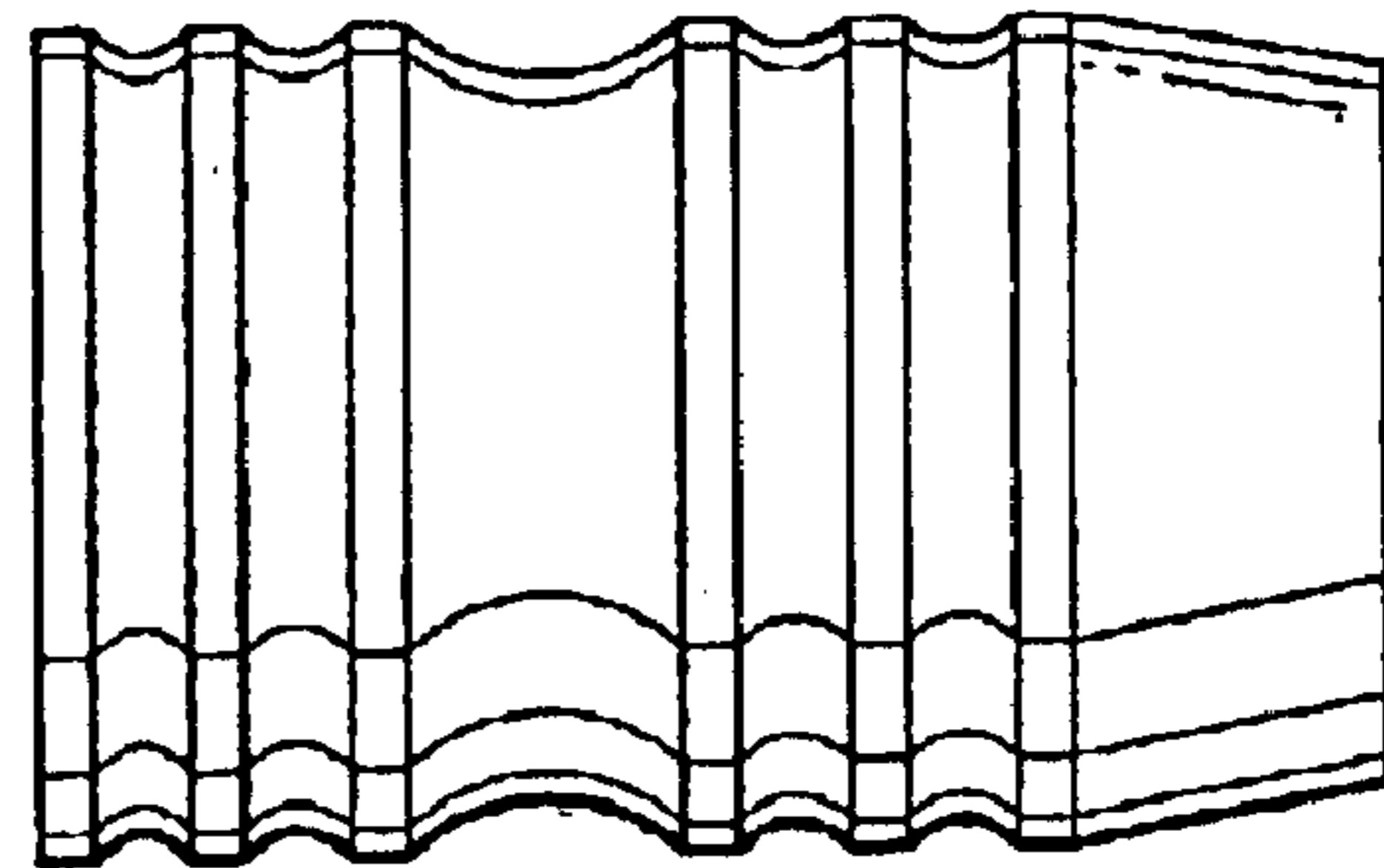


FIG. 3

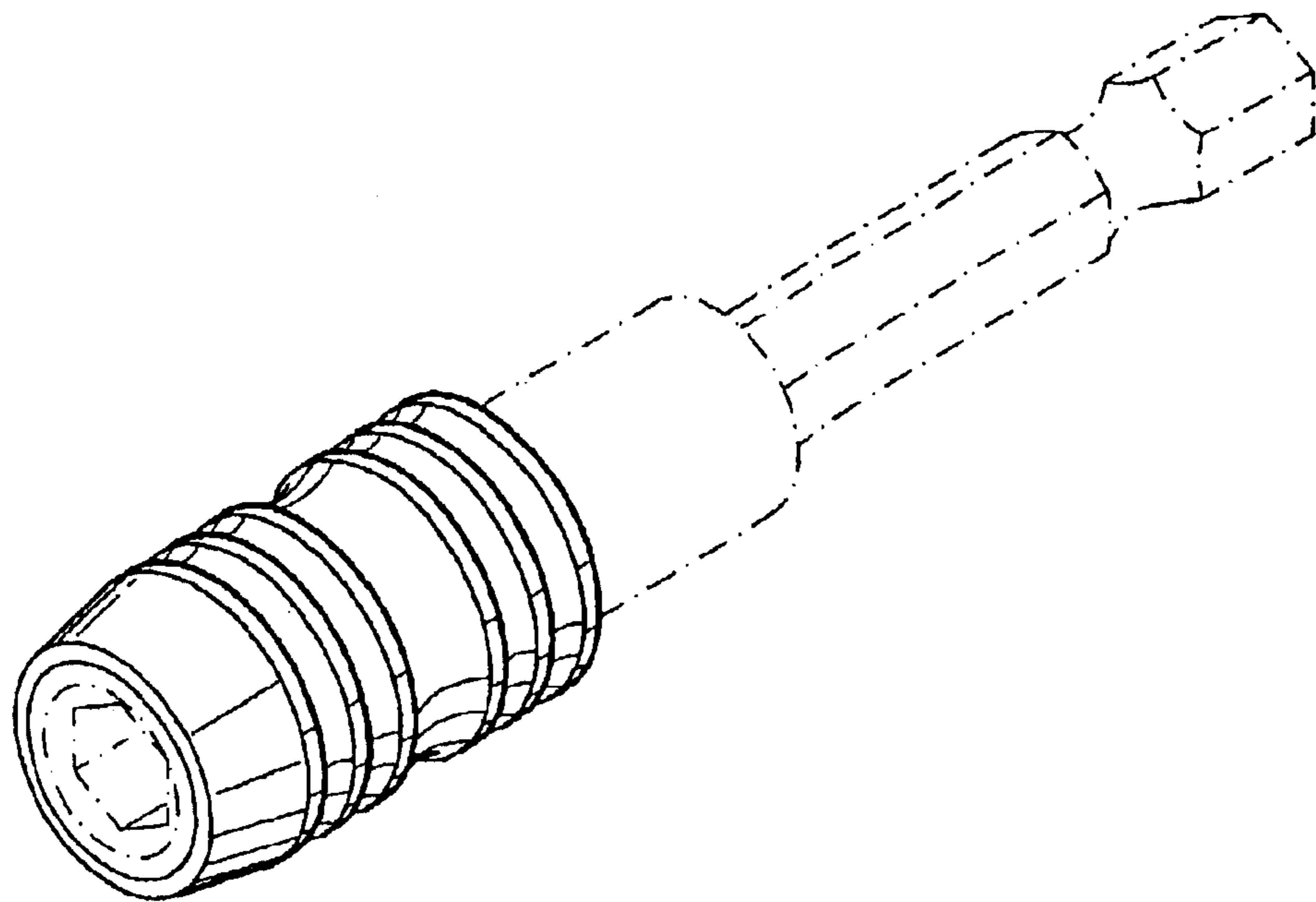


FIG. 6