

US00D497298S1

(12) **United States Design Patent**
Tillman et al.

(10) **Patent No.:** **US D497,298 S**
(45) **Date of Patent:** **** Oct. 19, 2004**

- (54) **BELT SANDER**
- (75) Inventors: **Thomas Shea Tillman**, Anderson, SC (US); **Kenneth M. Brazell**, Piedmont, SC (US)
- (73) Assignee: **One World Technologies, Limited**, Hamilton (BM)
- (**) Term: **14 Years**
- (21) Appl. No.: **29/195,689**
- (22) Filed: **Dec. 16, 2003**
- (51) **LOC (7) Cl.** **08-01**
- (52) **U.S. Cl.** **D8/62**
- (58) **Field of Search** D8/61, 62, 67, D8/69; 173/170, 171; 310/50; 451/344, 351, 352, 353, 354, 355, 356, 357, 358, 359, 451, 456

- 5,725,086 A * 3/1998 Cooper 200/302.3
- D400,073 S * 10/1998 Hara D8/62
- D420,875 S * 2/2000 Okitsu et al. D8/62
- 6,159,085 A * 12/2000 Hara 451/451
- D453,668 S * 2/2002 Pretzell D8/62
- D478,261 S * 8/2003 Sham D8/62
- D487,008 S * 2/2004 Andriolo D8/62

* cited by examiner

Primary Examiner—Joel Sincavage
Assistant Examiner—Elizabeth Albert

(74) *Attorney, Agent, or Firm*—John B. Hardaway, III; Nexsen Pruet, LLC

(57) **CLAIM**

The ornamental design for a belt sander, as shown and described.

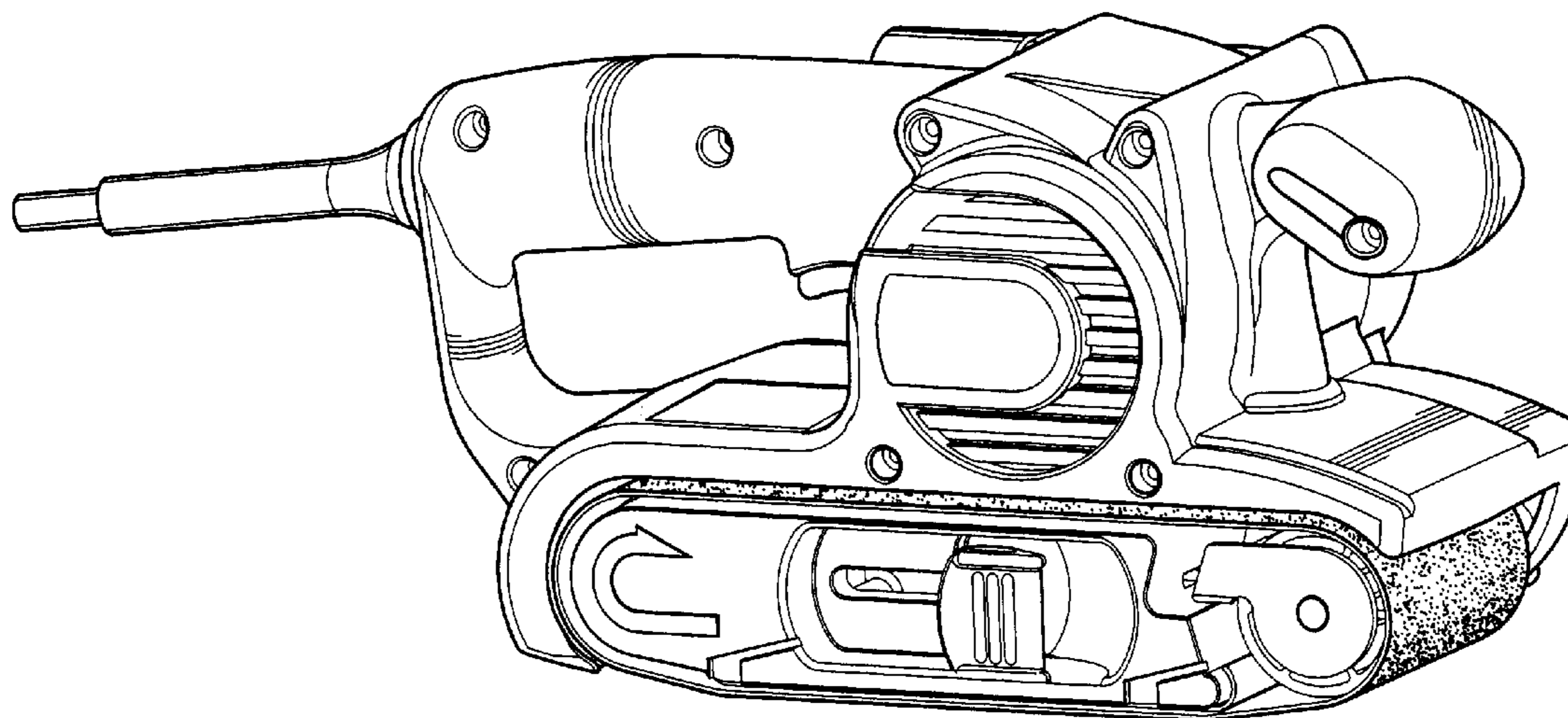
DESCRIPTION

FIG. 1 is a front right perspective view of the belt sander of the present invention;
FIG. 2 is a front left perspective view thereof;
FIG. 3 is a right side elevational view thereof;
FIG. 4 is a left side elevational view thereof;
FIG. 5 is a front end view thereof;
FIG. 6 is a rear end thereof;
FIG. 7 is a top view thereof; and,
FIG. 8 is a bottom view thereof.

(56) **References Cited**
U.S. PATENT DOCUMENTS

- 4,177,609 A * 12/1979 Rameckers et al. 451/355
- 4,584,797 A * 4/1986 Wanninkhof et al. 451/355
- 4,967,516 A * 11/1990 Hoshino et al. 451/359
- D323,099 S * 1/1992 Sakamoto et al. D8/62
- 5,094,000 A * 3/1992 Becht et al. 30/475
- D328,695 S * 8/1992 Hoshino et al. D8/69

1 Claim, 3 Drawing Sheets



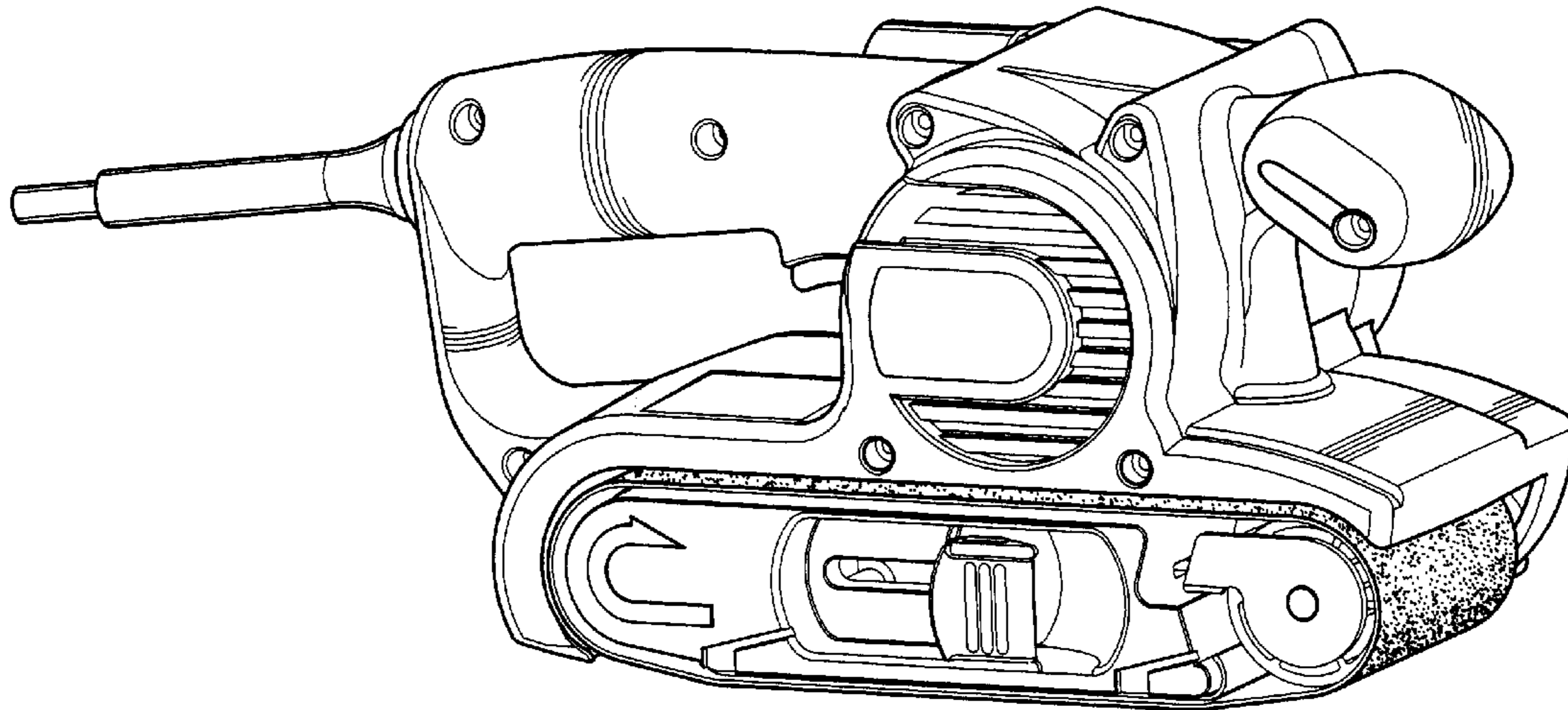


FIG. 1

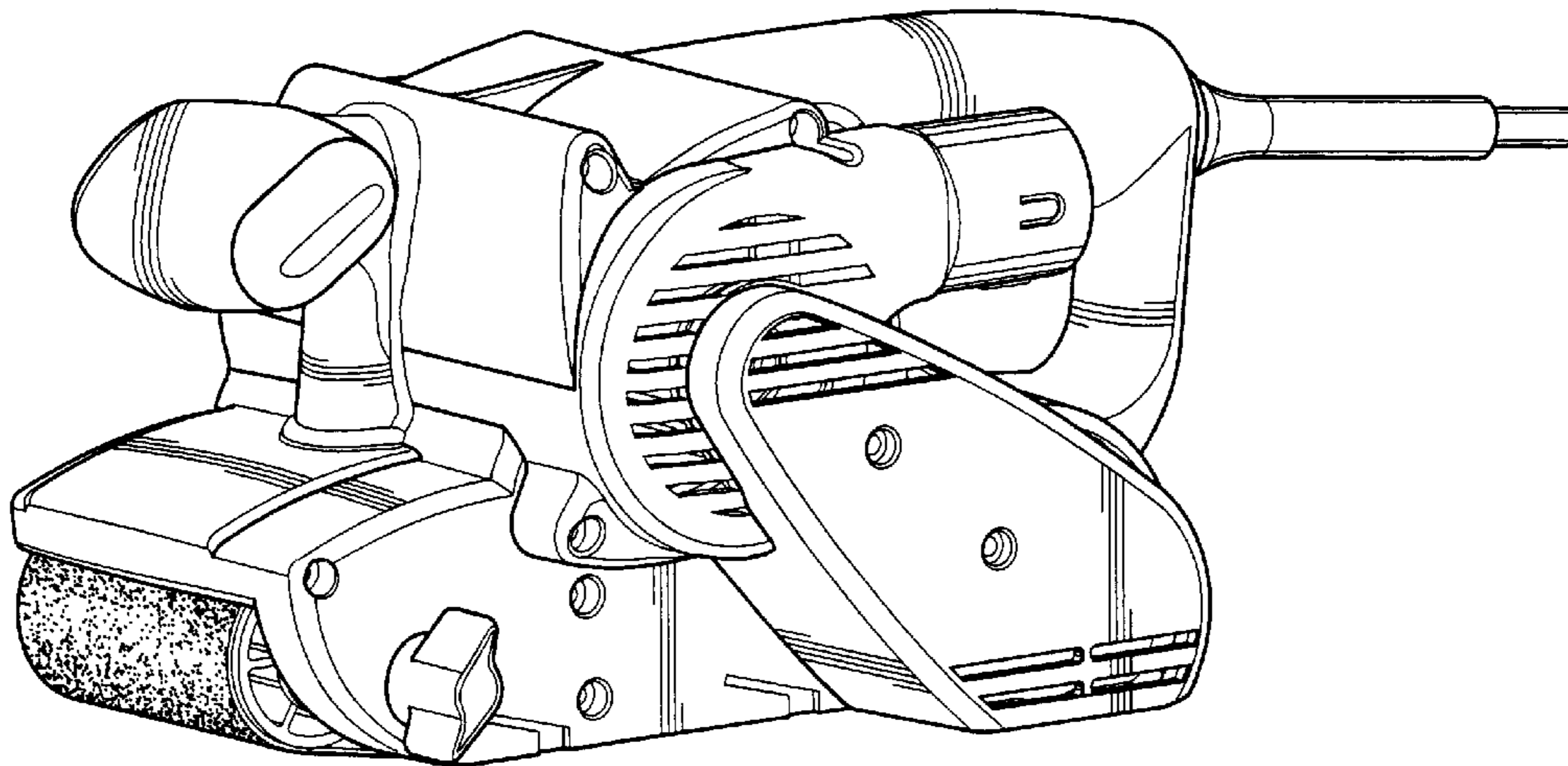


FIG. 2

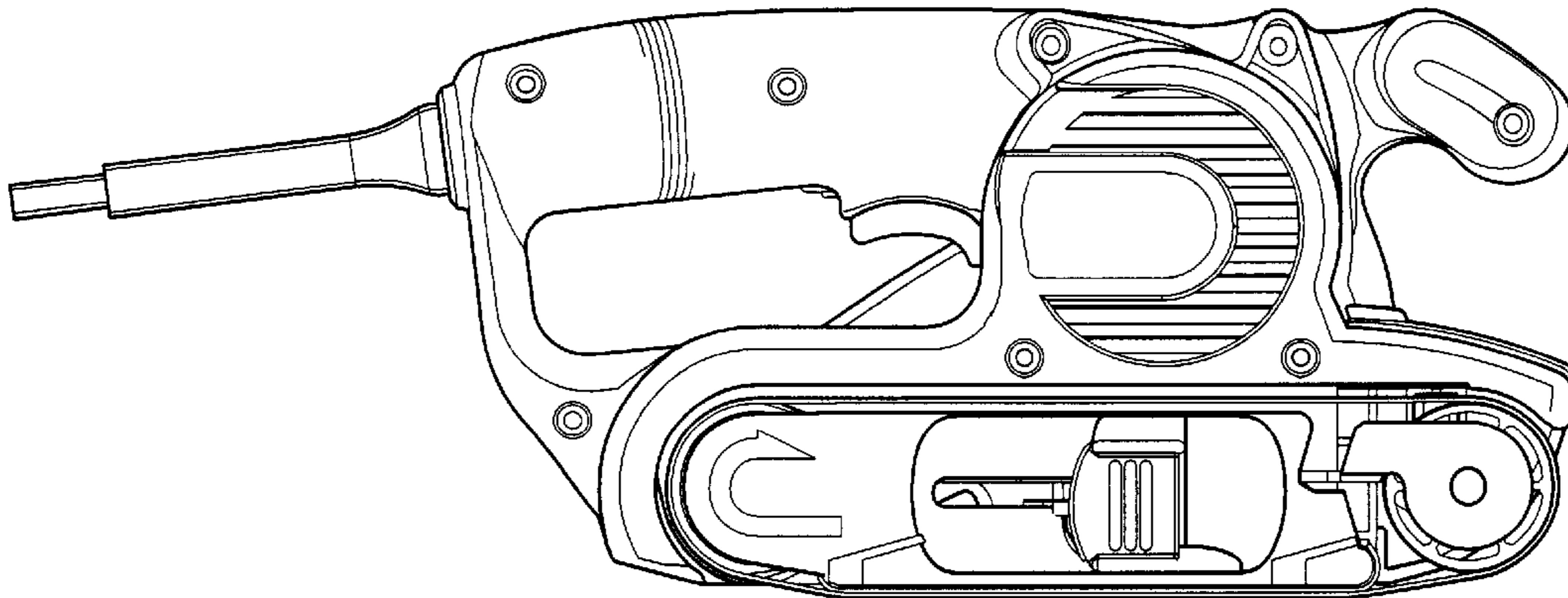


FIG. 3

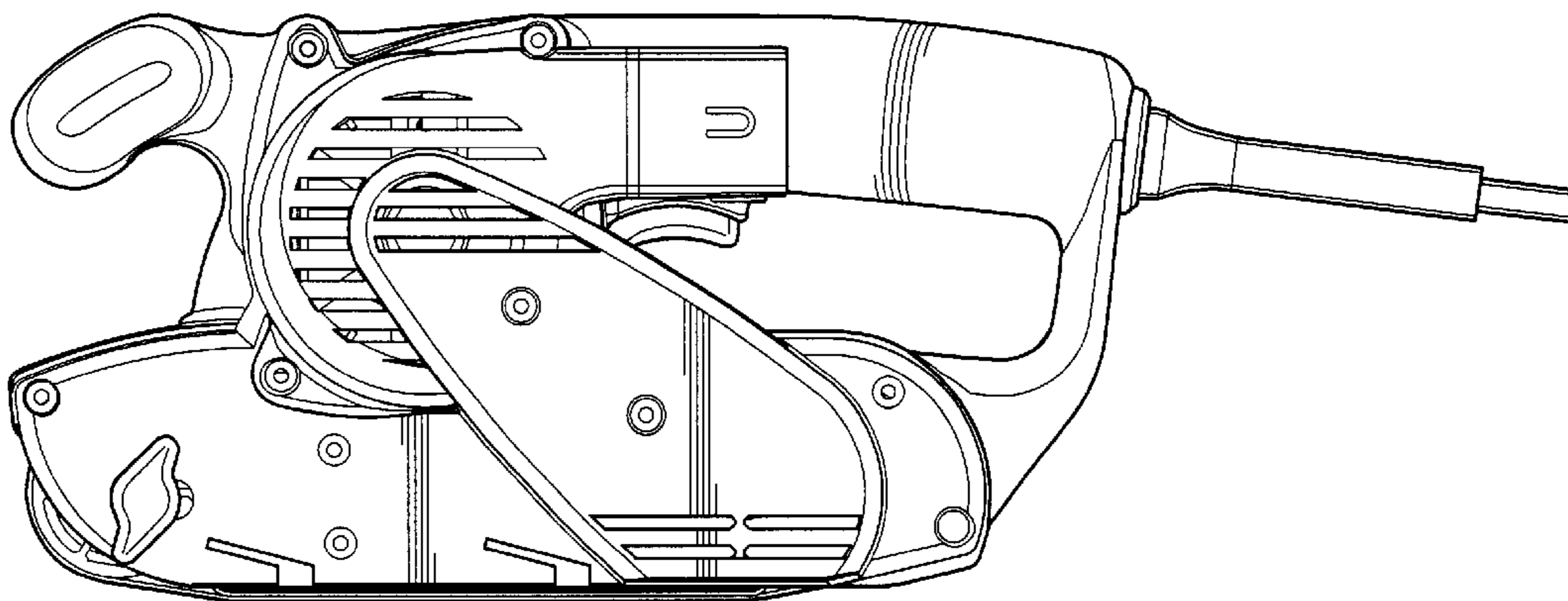


FIG. 4

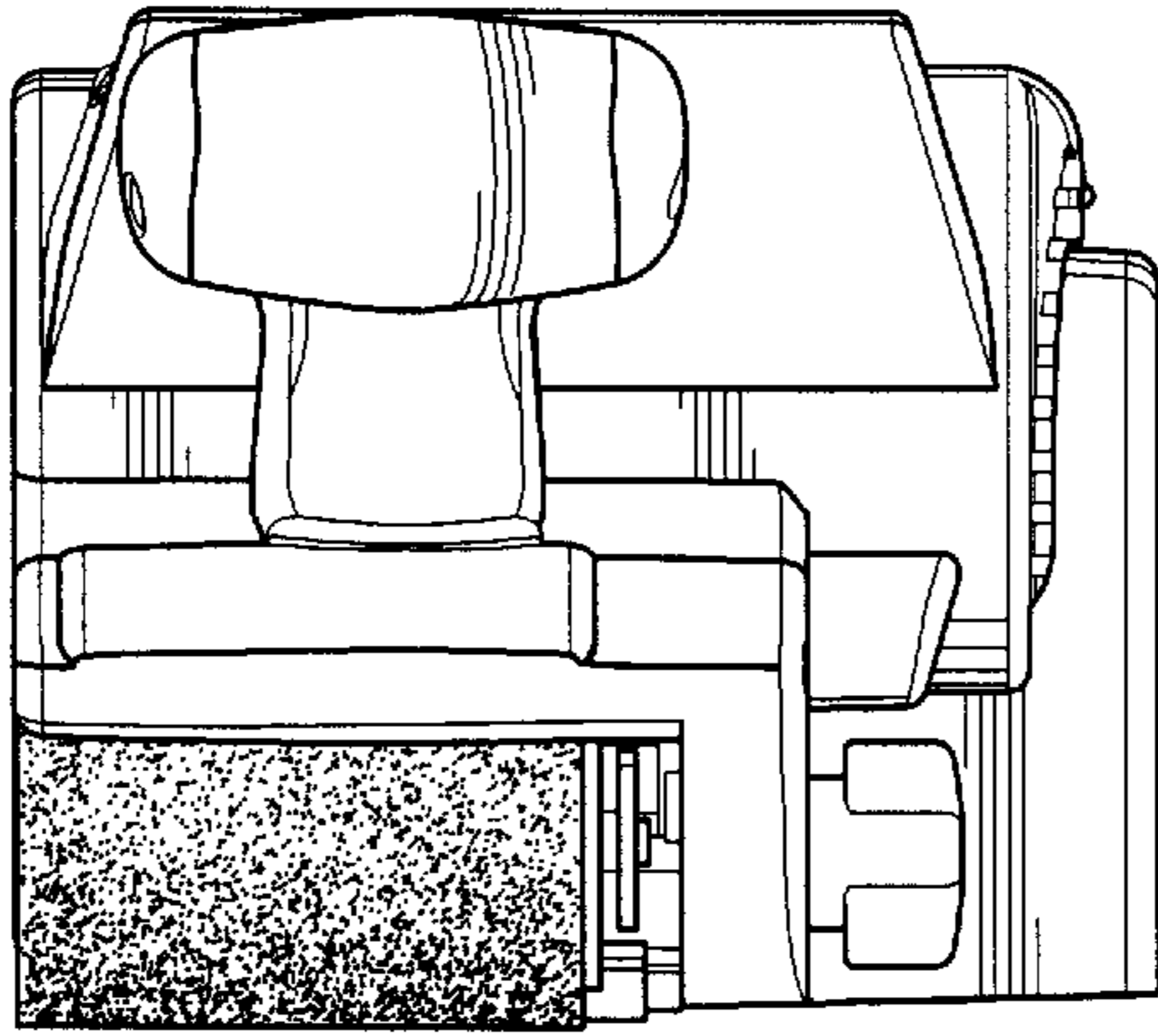


FIG. 5

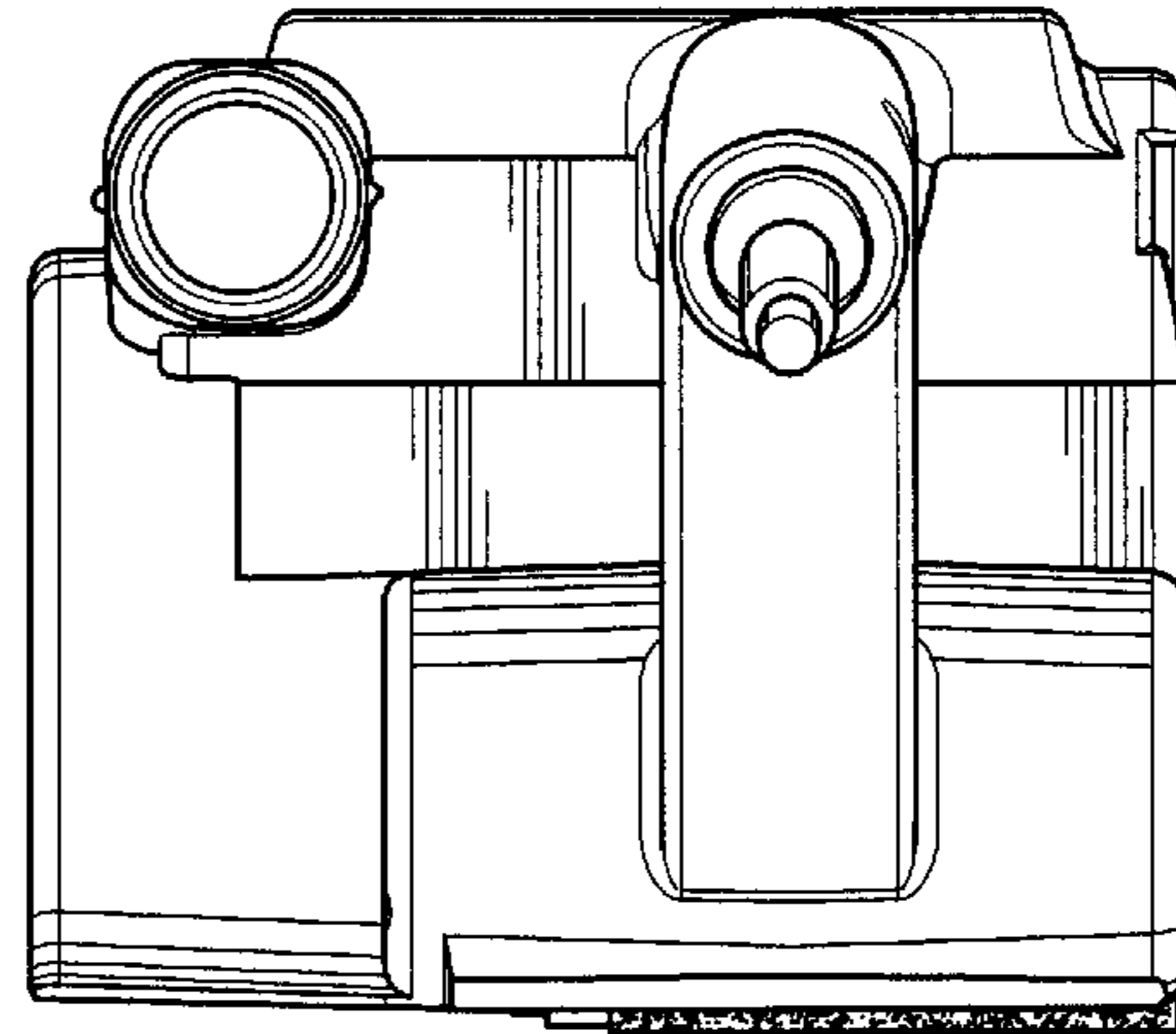


FIG. 6

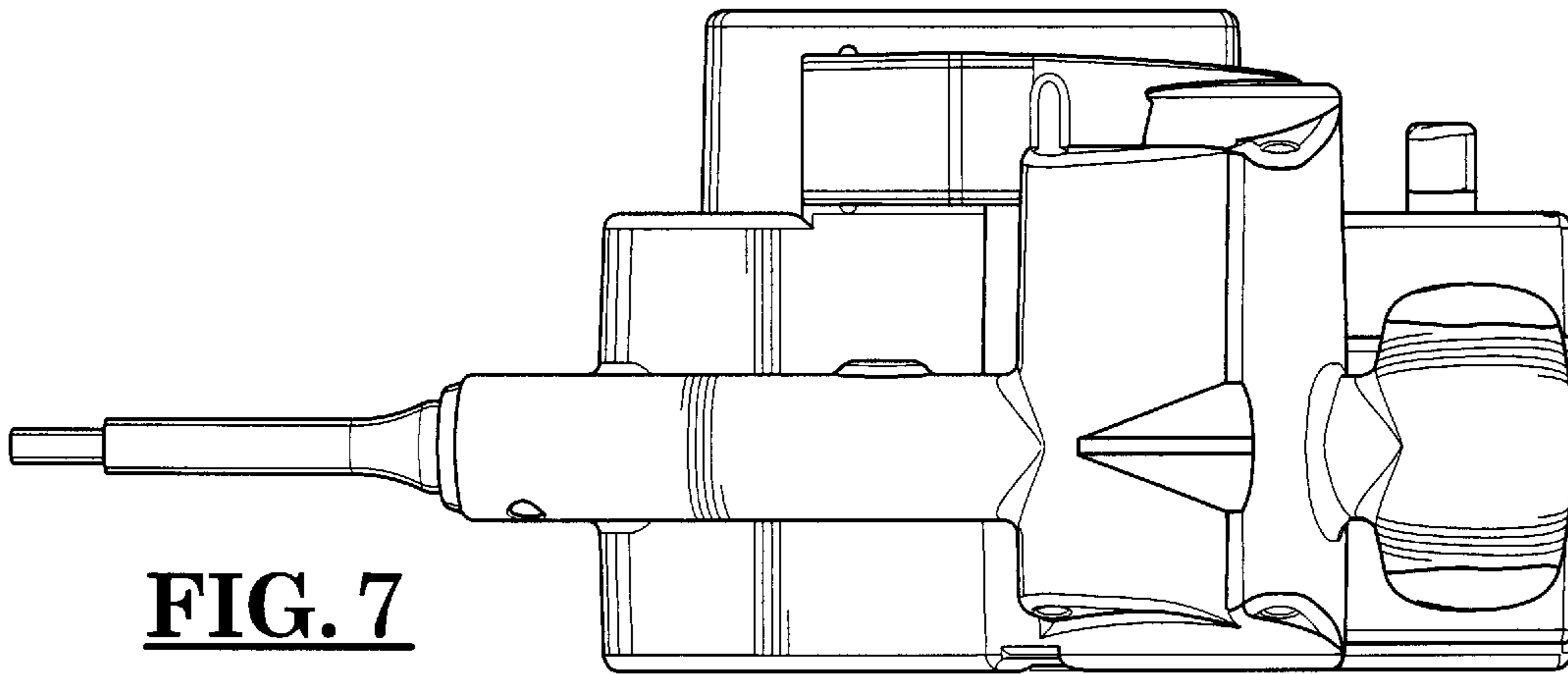


FIG. 7

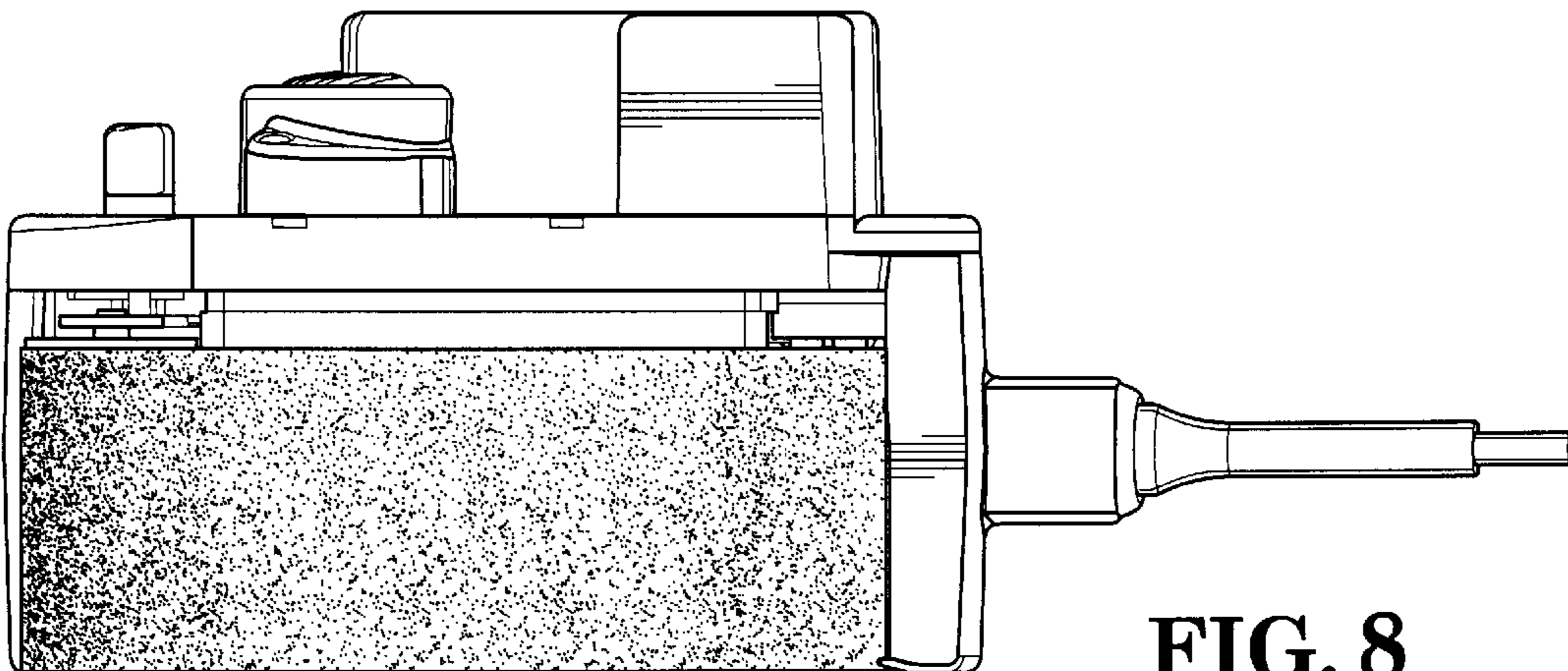


FIG. 8