

US00D497295S1

(12) **United States Design Patent**
McKnight

(10) **Patent No.:** **US D497,295 S**

(45) **Date of Patent:** **** Oct. 19, 2004**

(54) **SINGLE SOCKET TOOL**

D475,589 S * 6/2003 Wilkinson D8/29
6,598,500 B1 * 7/2003 Chivington 81/124.6

(76) **Inventor:** **David Paul McKnight**, 9440 Dawson Rd., Crofton, KY (US) 42217

OTHER PUBLICATIONS

(**) **Term:** **14 Years**

Sears catalog, 2003.*

(21) **Appl. No.:** **29/178,842**

* cited by examiner

(22) **Filed:** **Apr. 1, 2003**

Primary Examiner—Raphael Barkai

(51) **LOC (7) Cl.** **08-05**

(52) **U.S. Cl.** **D8/29**

(74) *Attorney, Agent, or Firm*—Kerrick Stivers & Coyle; Laura M. Hagan

(58) **Field of Search** D8/21–29; 81/121.1, 81/124.3–124.6, 125, 125.1, 177.1, 177.2, 177.85, 436, 177.6, 119

(57) **CLAIM**

I claim the ornamental design for a single socket tool, as shown and described.

(56) **References Cited**

DESCRIPTION

U.S. PATENT DOCUMENTS

1,775,402	A	*	9/1930	Mandl	81/177.85
4,459,716	A	*	7/1984	Valadez	81/121.1
4,781,085	A	*	11/1988	Fox, III	81/177.85
4,823,651	A	*	4/1989	England	81/124.4
5,960,681	A	*	10/1999	Anderson et al.	81/124.6
D431,984	S	*	10/2000	Cotillon	D8/29
6,257,099	B1	*	7/2001	Rosenbaum	81/124.4

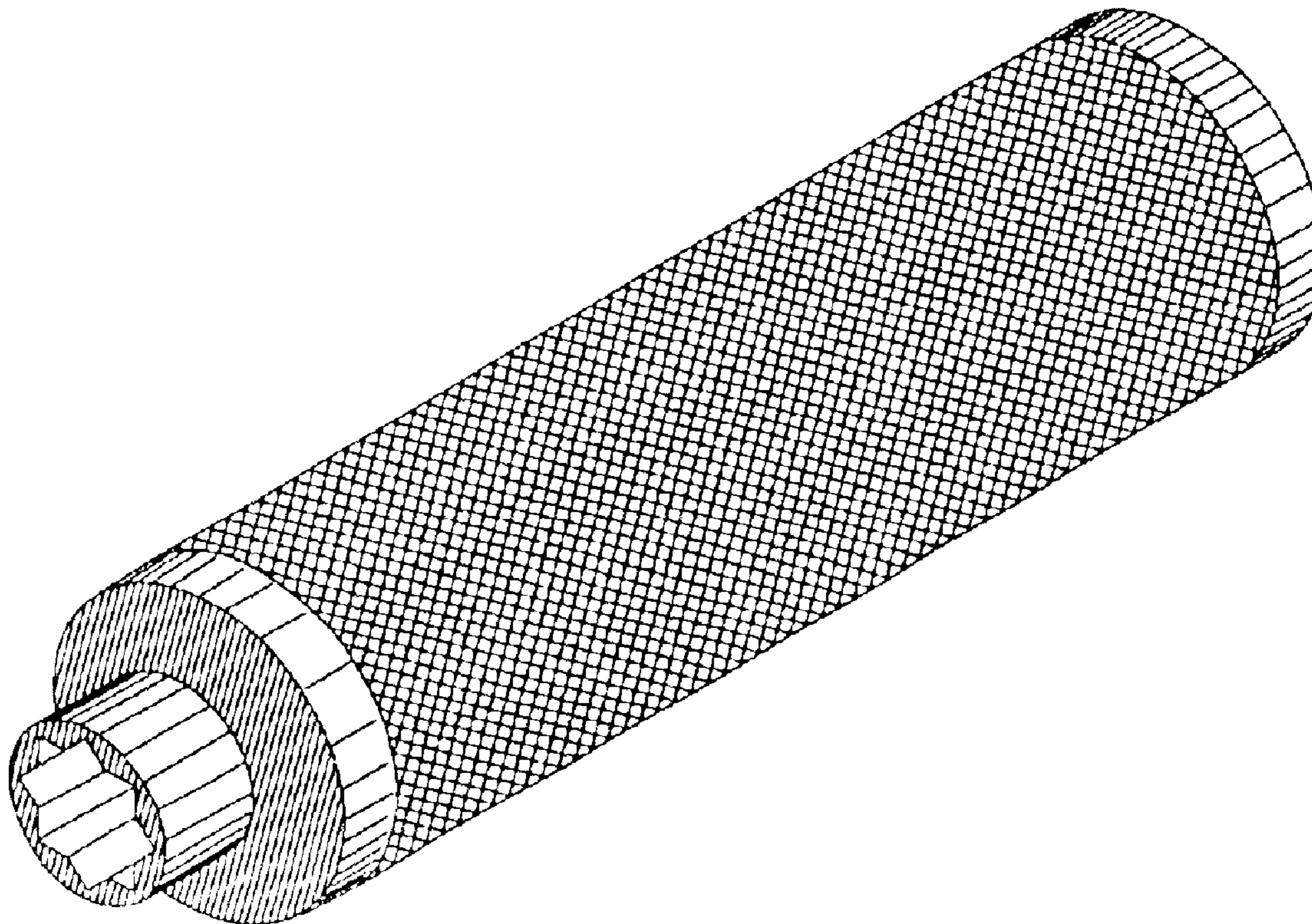
FIG. 1 is a perspective view of a single socket tool showing my new design;

FIG. 2 is a front elevation view thereof;

FIG. 3 is a rear elevation view thereof; and,

FIG. 4 is a left side elevation view thereof; the right side view being a mirror image of that shown.

1 Claim, 1 Drawing Sheet



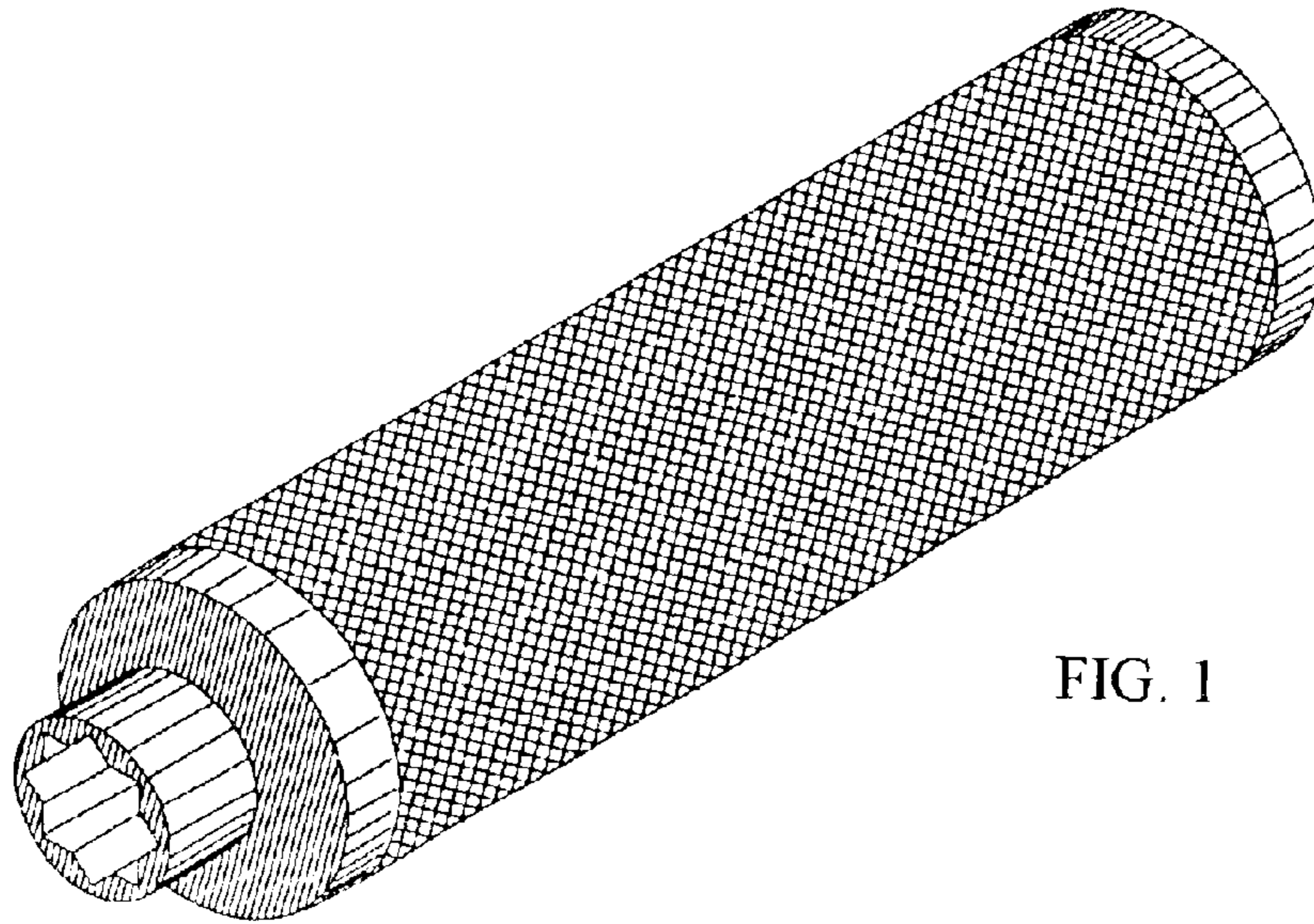


FIG. 1

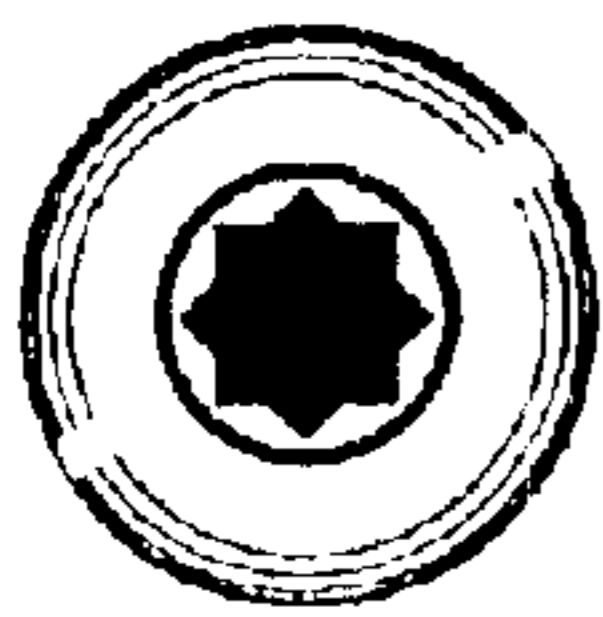


FIG. 2

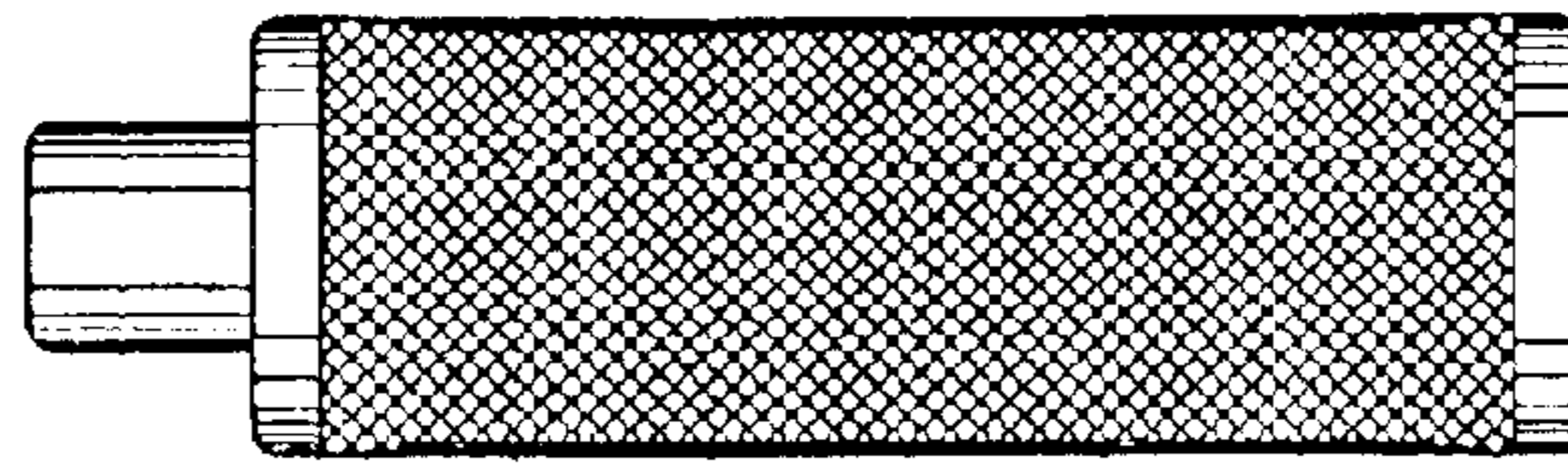


FIG. 4

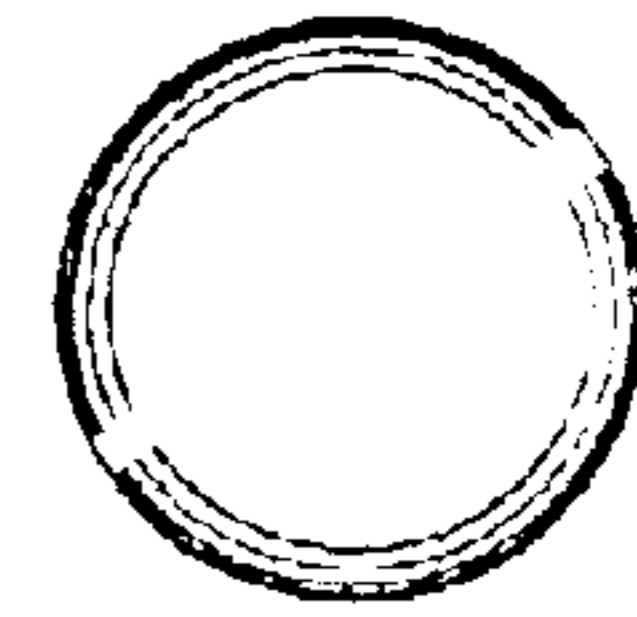


FIG. 3