

US00D497290S1

(12) **United States Design Patent**
Porshia

(10) **Patent No.:** **US D497,290 S**

(45) **Date of Patent:** **** Oct. 19, 2004**

(54) **FOOD AND BEVERAGE COOLER**

(76) **Inventor:** **Robert Porshia**, 5325 Boulder Ave.,
Portage, IN (US) 46368

(**) **Term:** **14 Years**

(21) **Appl. No.:** **29/191,817**

(22) **Filed:** **Oct. 14, 2003**

(51) **LOC (7) Cl.** **07-01**

(52) **U.S. Cl.** **D7/605**

(58) **Field of Search** D7/605-608; D15/79-81;
D34/1, 5; 62/371, 372, 457.1-457.8; 220/592.03,
592.09, 915.1-915.2; 280/43.1, 43.24, 47.21,
651, 652, 655, 645, 655.1

(56) **References Cited**

U.S. PATENT DOCUMENTS

4,846,493 A	*	7/1989	Mason	280/641
D362,788 S		10/1995	Hartman	D7/606
D366,599 S	*	1/1996	Brown et al.	D7/605
D370,833 S		6/1996	Vance	D7/606
D434,949 S		12/2000	Steinfels	D7/606

6,311,991 B1	*	11/2001	Conrado et al.	280/47.26
6,315,149 B1		11/2001	Conrado et al.	220/521
6,446,988 B1	*	9/2002	Kho	280/47.26

* cited by examiner

Primary Examiner—Terry A. Wallace

(74) *Attorney, Agent, or Firm*—Goldstein Law Offices, P.C.

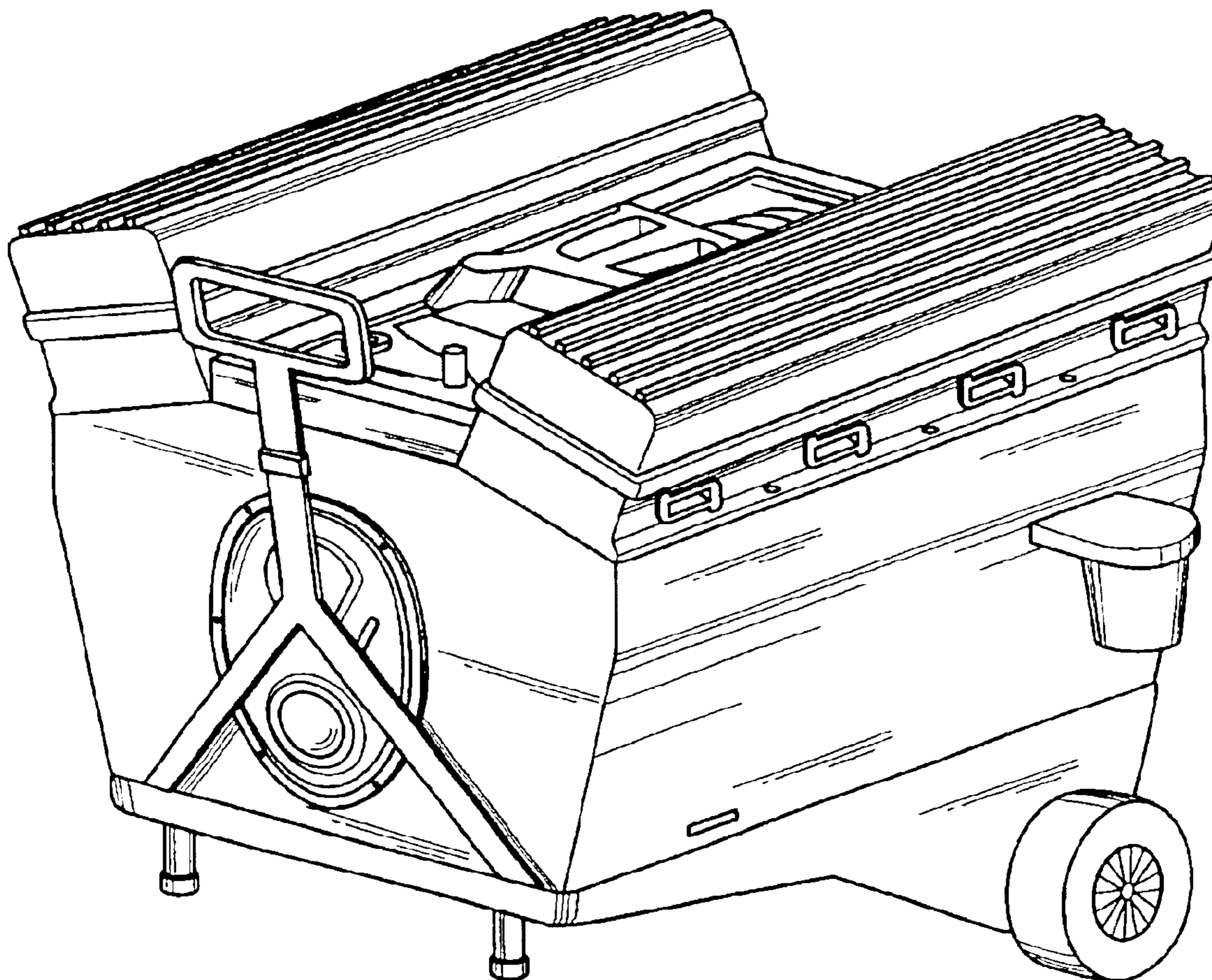
(57) **CLAIM**

The ornamental design for a food and beverage cooler, as shown and described.

DESCRIPTION

FIG. 1 is a perspective view of a food and beverage cooler. FIG. 2 is a front elevational view thereof. FIG. 3 is a rear elevational view thereof. FIG. 4 is a left side elevational view thereof. FIG. 5 is a right side elevational view thereof. FIG. 6 is a top plan view of the food and beverage cooler. FIG. 7 is a bottom plan view thereof; and, FIG. 8 is a perspective view of the cooler in an open position.

1 Claim, 5 Drawing Sheets



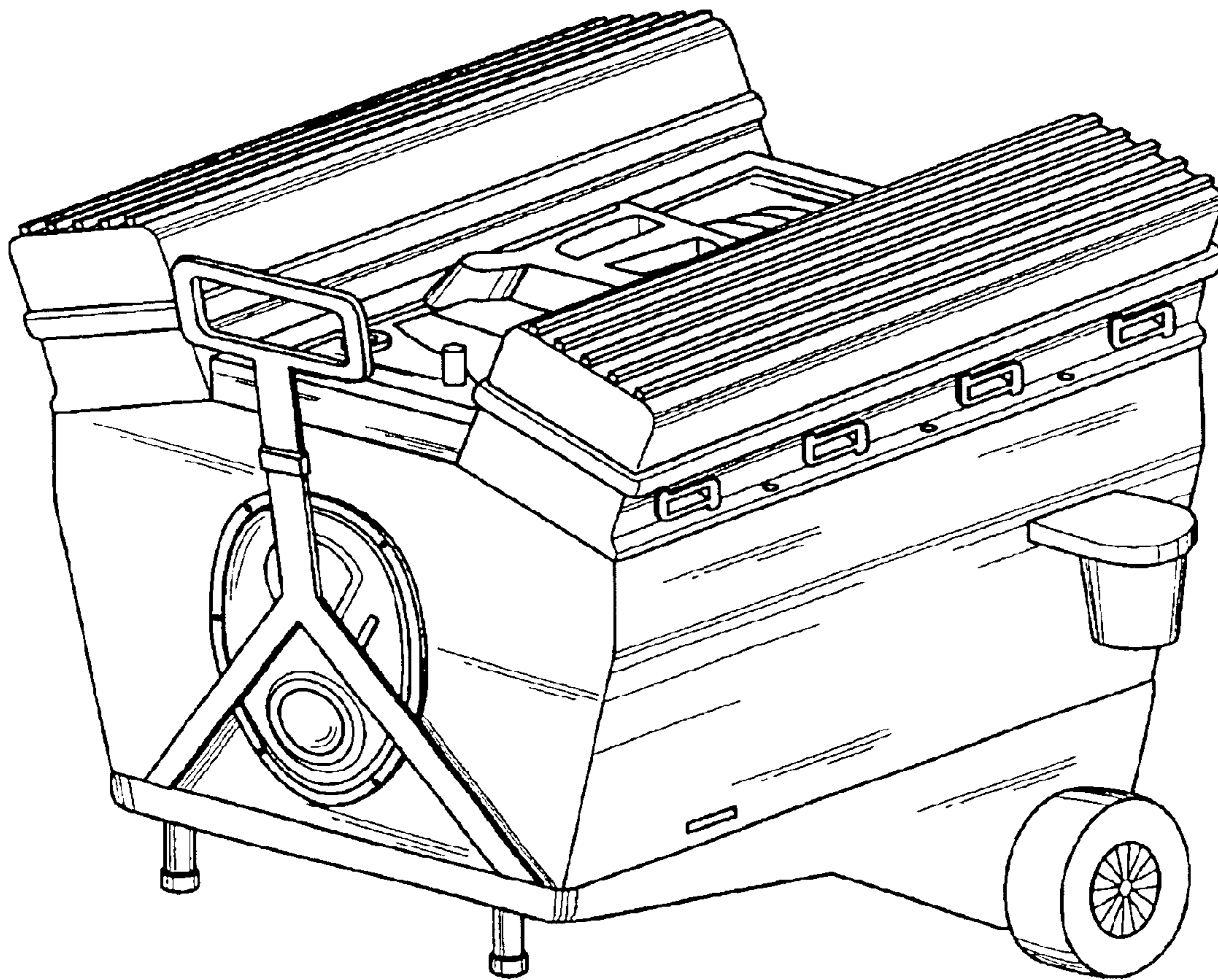


FIG. 1

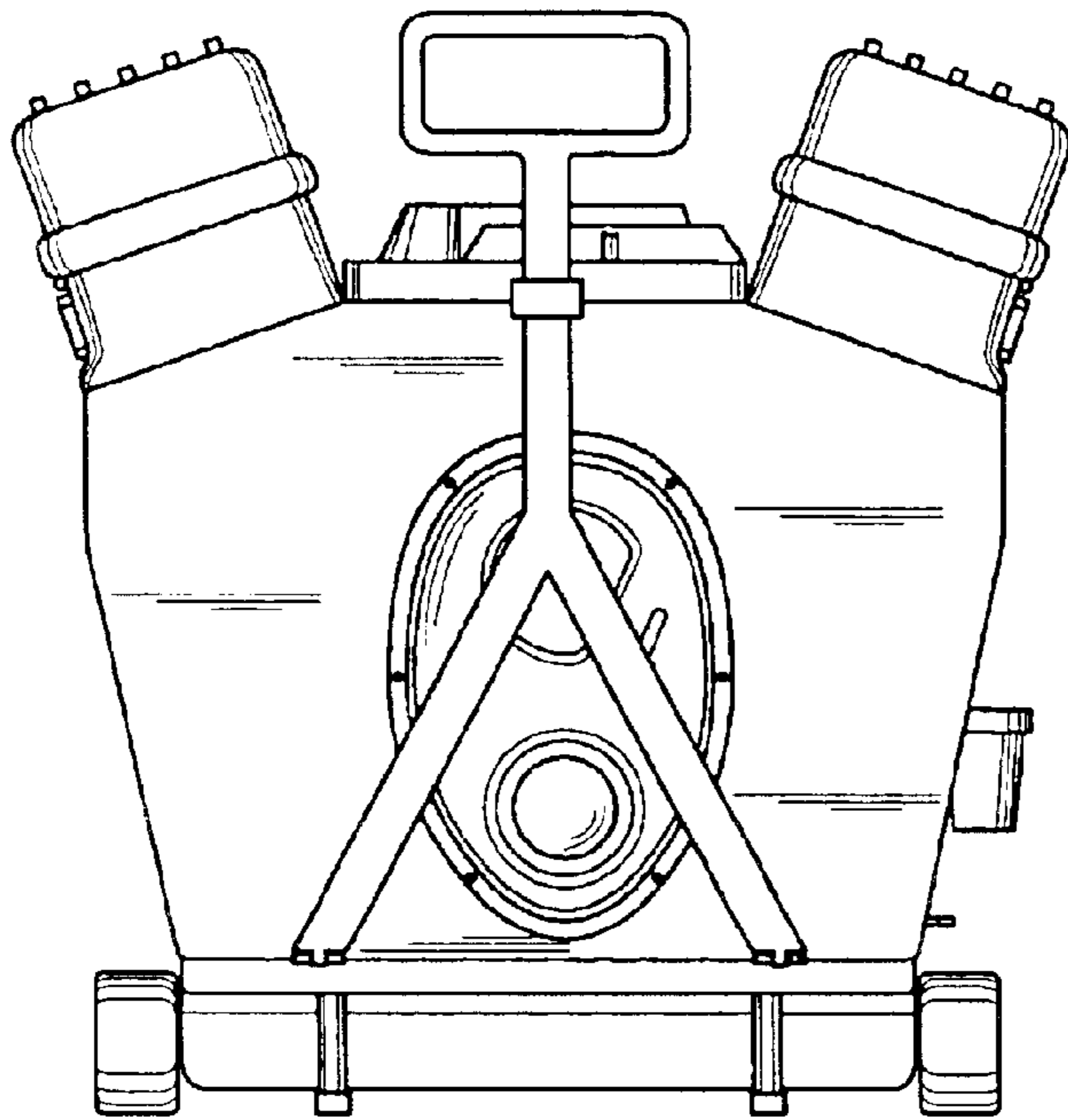


FIG. 2

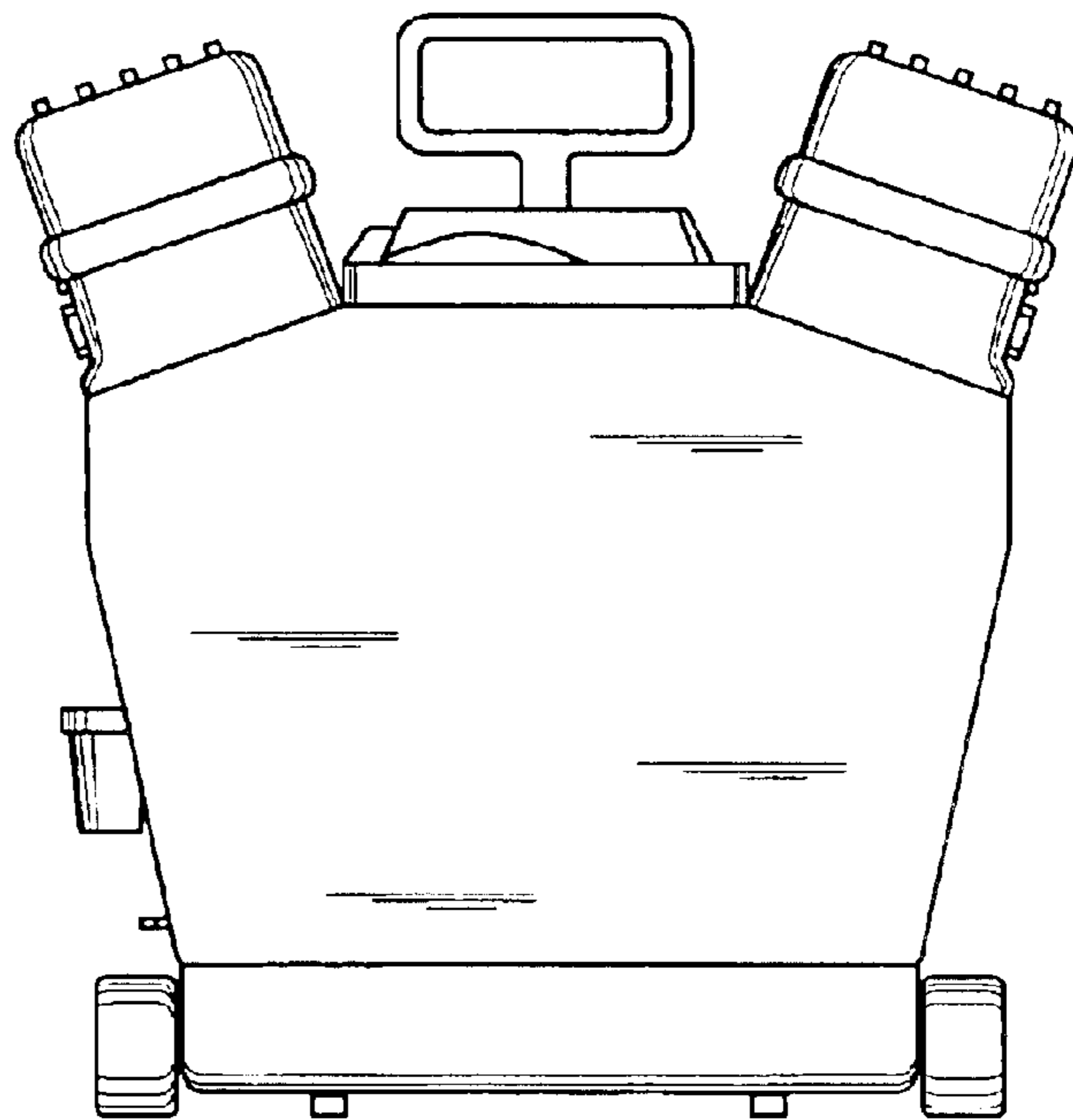


FIG. 3

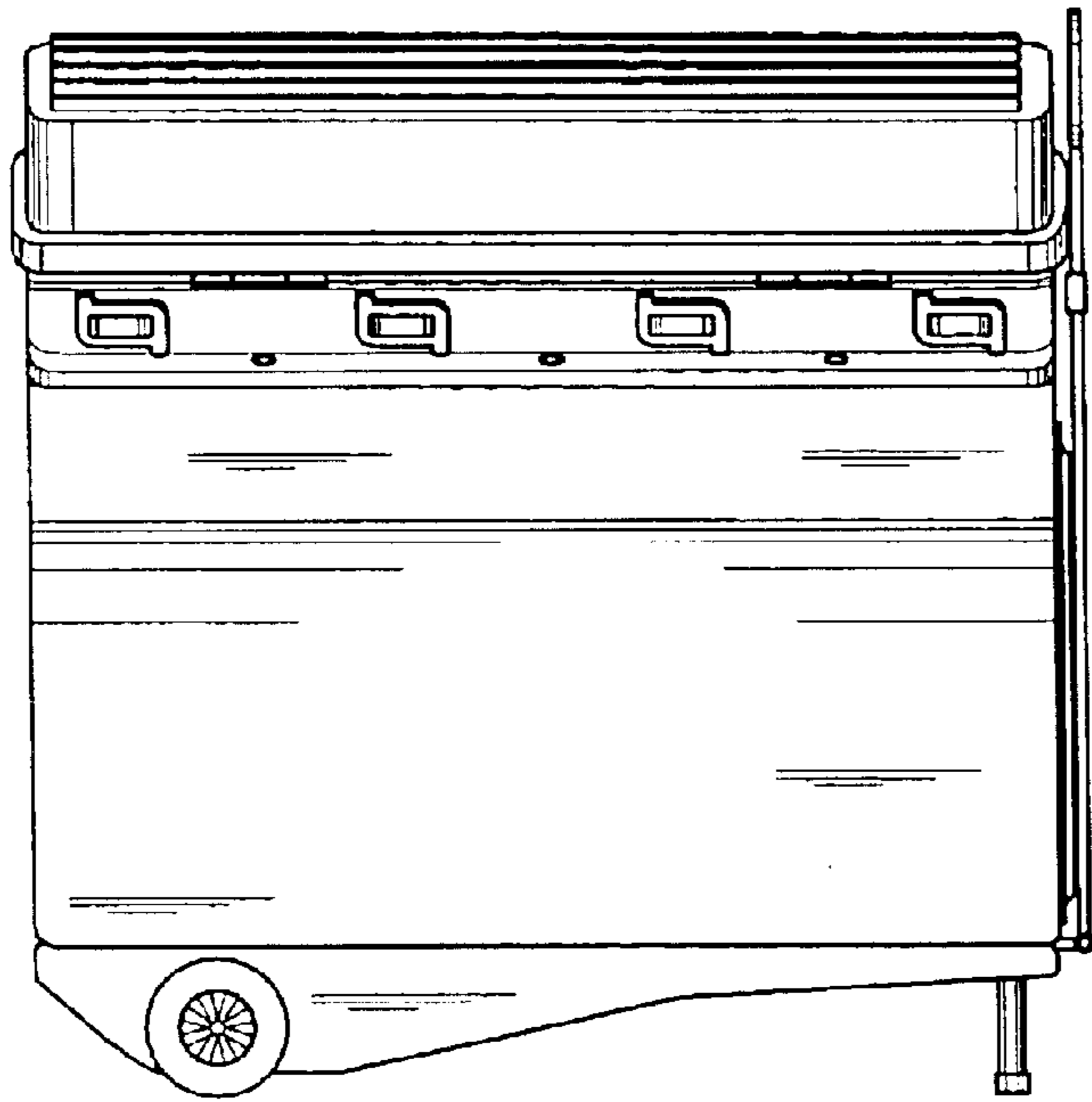


FIG. 4

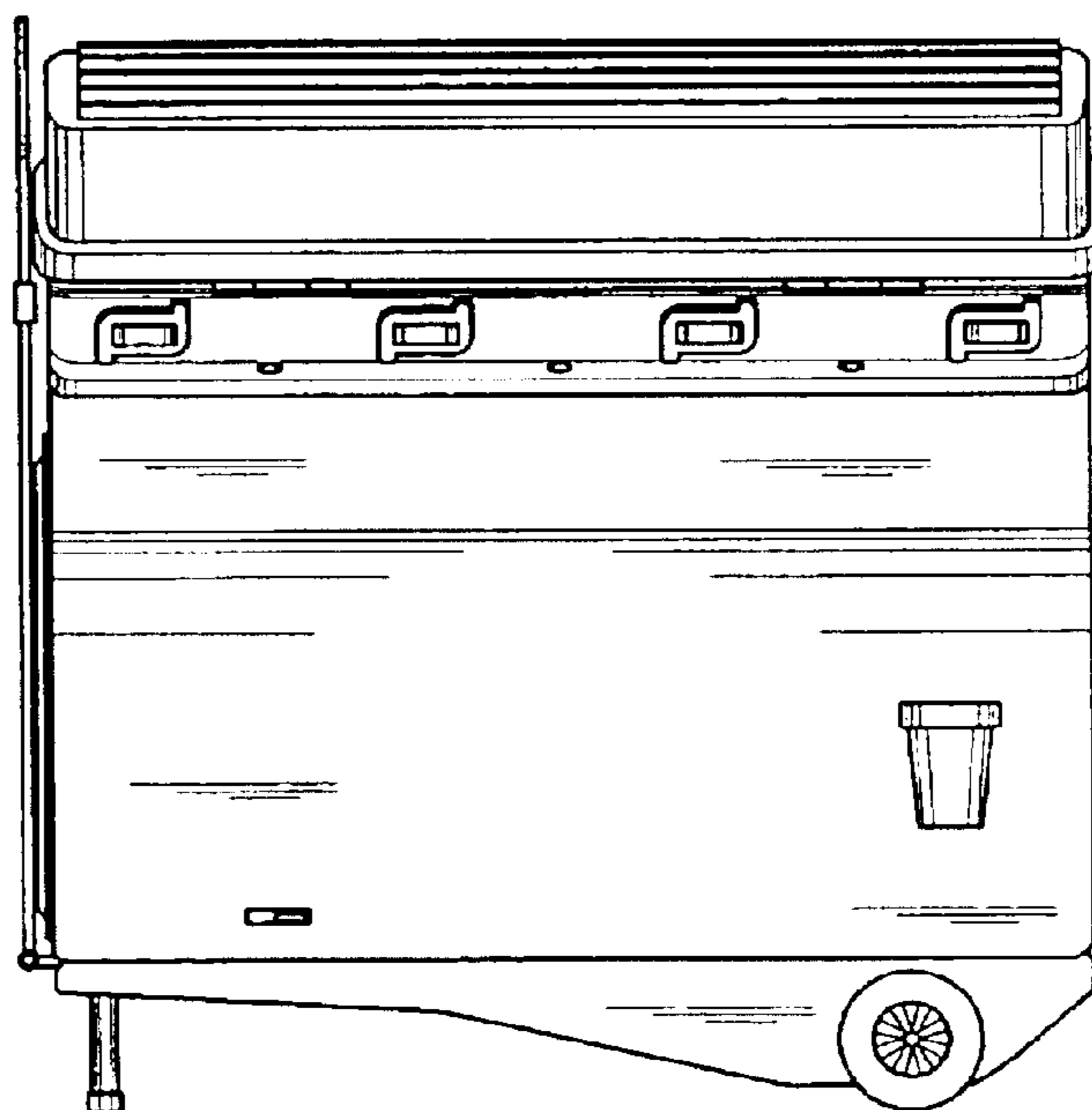


FIG. 5

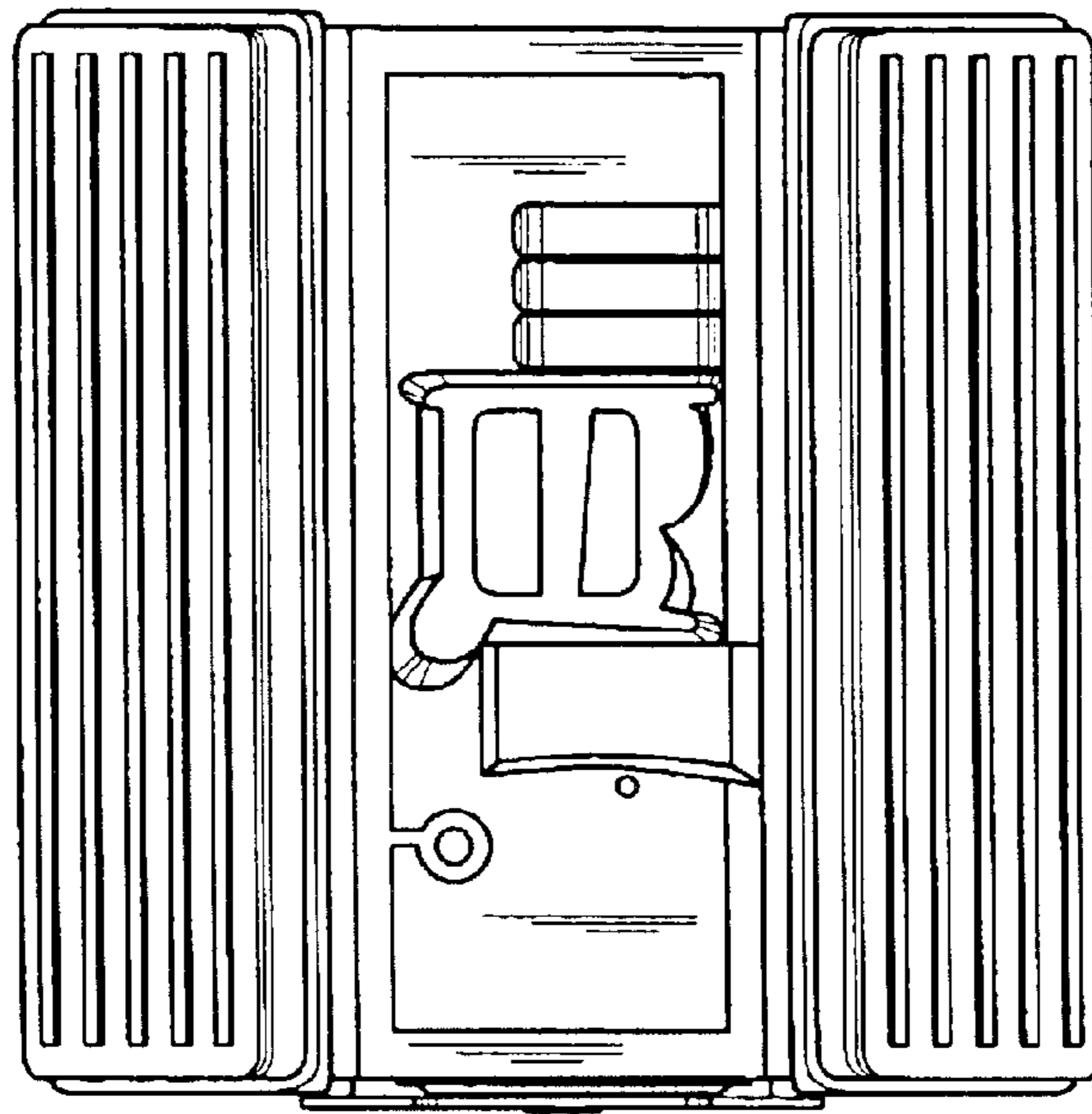


FIG. 6

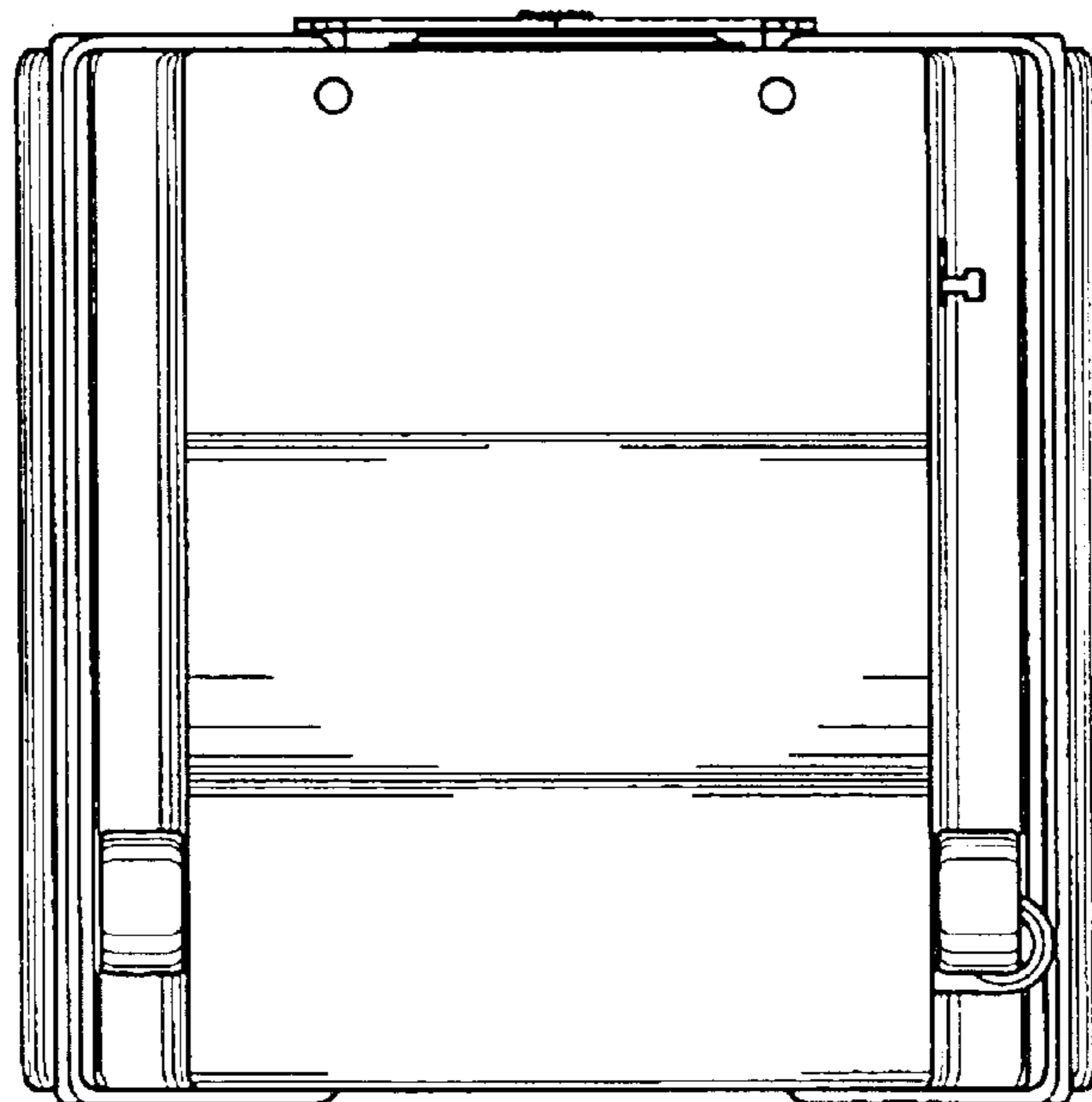


FIG. 7

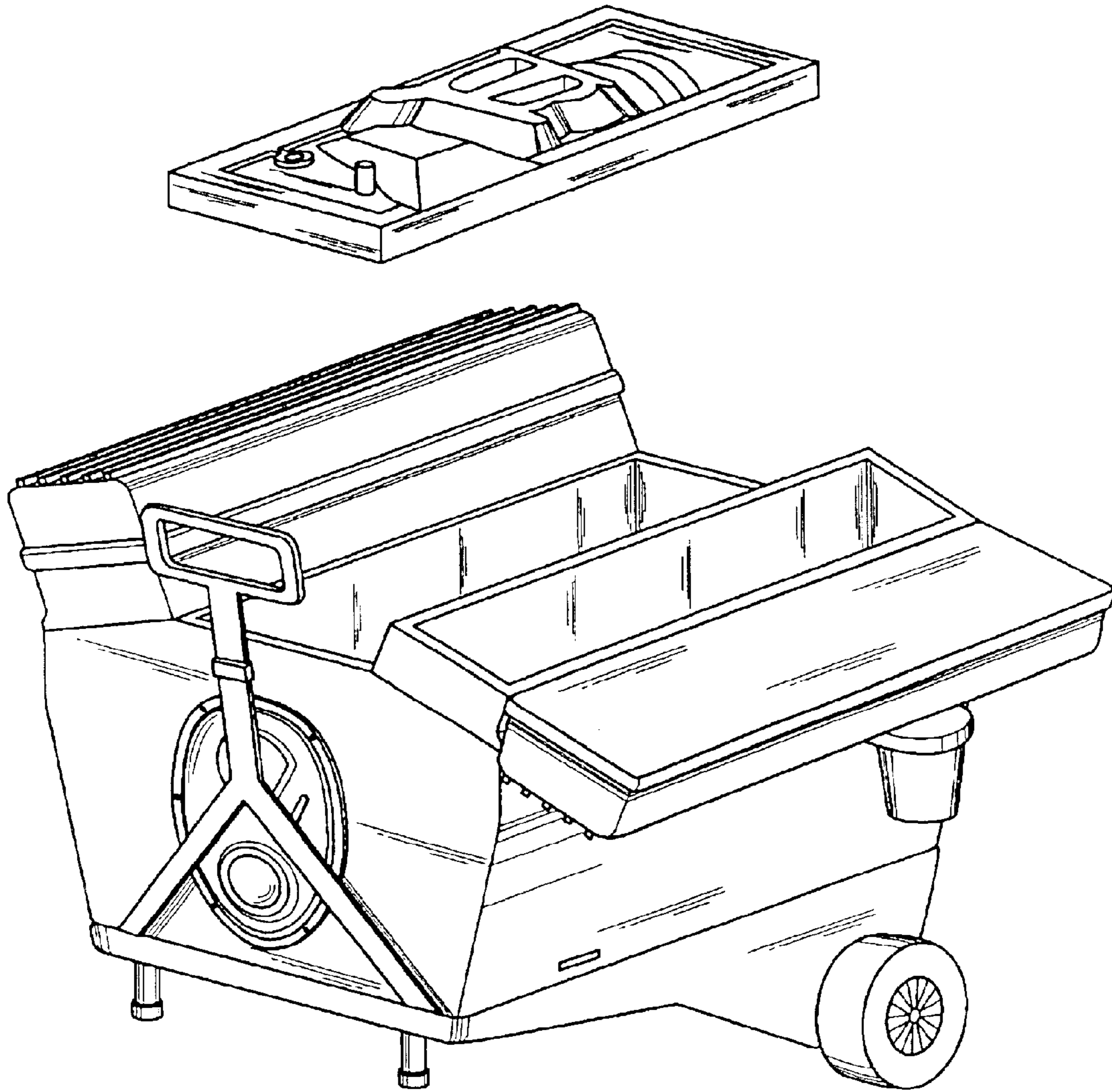


FIG. 8