

US00D497285S1

(12) **United States Design Patent**
Qi

(10) **Patent No.:** **US D497,285 S**

(45) **Date of Patent:** **** Oct. 19, 2004**

(54) **LIGHTER**

(75) **Inventor:** **Dai Qi, Zhejiang (CN)**

(73) **Assignee:** **Sun Point Co., Ltd., Kowloon (HK)**

(**) **Term:** **14 Years**

(21) **Appl. No.:** **29/177,932**

(22) **Filed:** **Mar. 17, 2003**

(51) **LOC (7) Cl.** **07-99**

(52) **U.S. Cl.** **D7/416**

(58) **Field of Search** D7/416, 417; D27/130,
D27/173; D29/125-130; 126/414, 25 B,
144, 401, 229; 417/411; 431/91, 345, 254,
153, 255

(56) **References Cited**

U.S. PATENT DOCUMENTS

D267,820 S	*	2/1983	Tomita	D7/416
D314,118 S	*	1/1991	Capilla	D7/416
D316,008 S	*	4/1991	Norton	D7/416
D360,107 S	*	7/1995	Segawa	D7/416
D379,415 S	*	5/1997	Mindle	D7/416
D410,363 S	*	6/1999	Tubby et al.	D7/416
D436,290 S	*	1/2001	Harel	D7/416
D441,606 S	*	5/2001	Tubby et al.	D7/416

D462,235 S	*	9/2002	Chevalier et al.	D7/416
D480,266 S	*	10/2003	Kim	D7/416

* cited by examiner

Primary Examiner—M. N. Pandozzi

(74) *Attorney, Agent, or Firm*—Aaron T. Borrowman;
Kelly Bauersfeld Lowry & Kelley, LLP

(57) **CLAIM**

The ornamental design for a lighter, as shown and described.

DESCRIPTION

FIG. 1 is a perspective view of the lighter, showing the flame member in an extended position;

FIG. 2 is a perspective view of the lighter, showing the flame member unextended;

FIG. 3 is a front elevational view of the lighter shown in FIG. 2;

FIG. 4 is a rear elevational view of the lighter of FIG. 2;

FIG. 5 is a left side elevational view of the lighter shown in FIG. 2;

FIG. 6 is a right side elevational view of the lighter shown in FIG. 2;

FIG. 7 is a top plan view of the lighter shown in FIG. 2; and, FIG. 8 is a bottom plan view of the lighter.

1 Claim, 2 Drawing Sheets

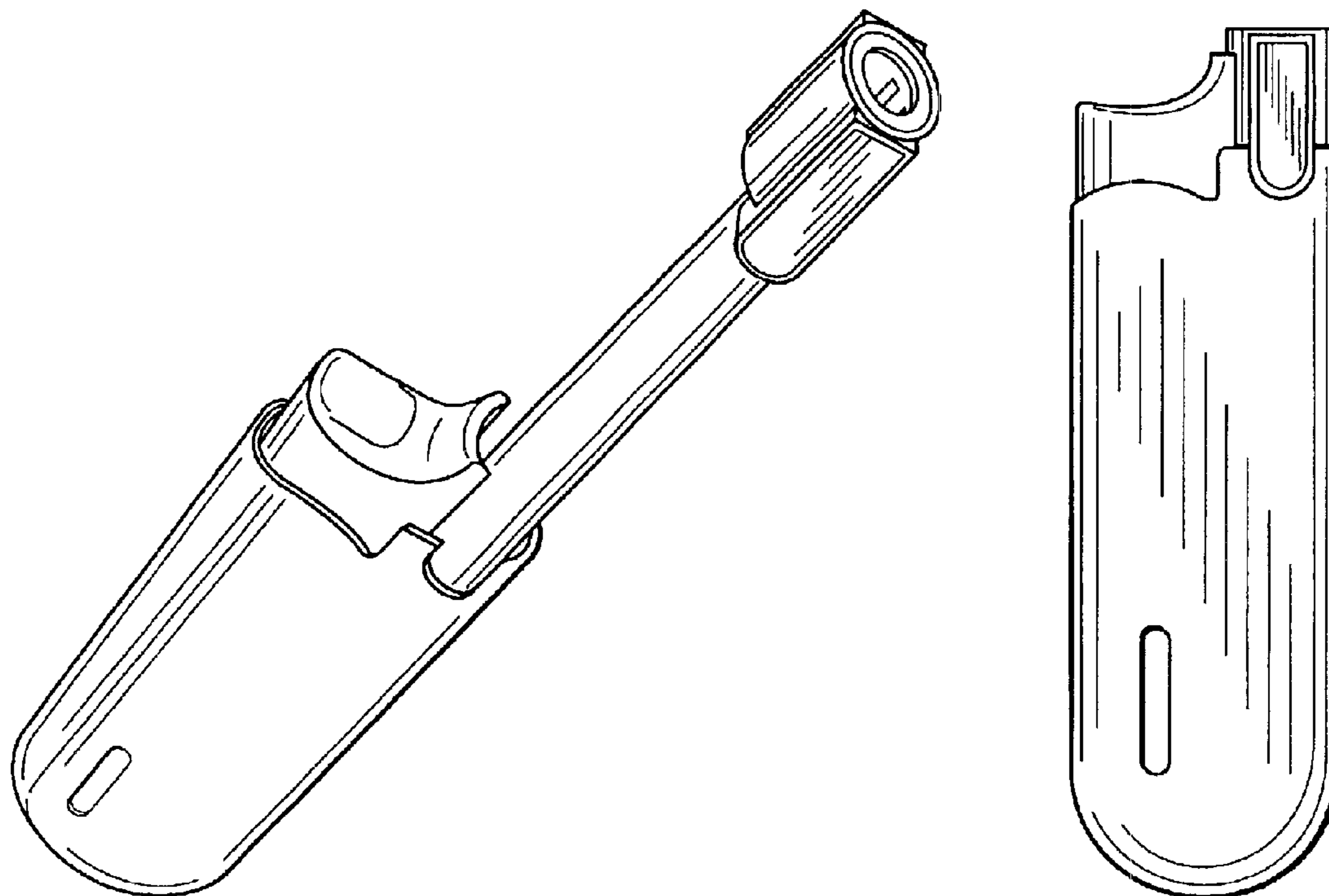


FIG. 1

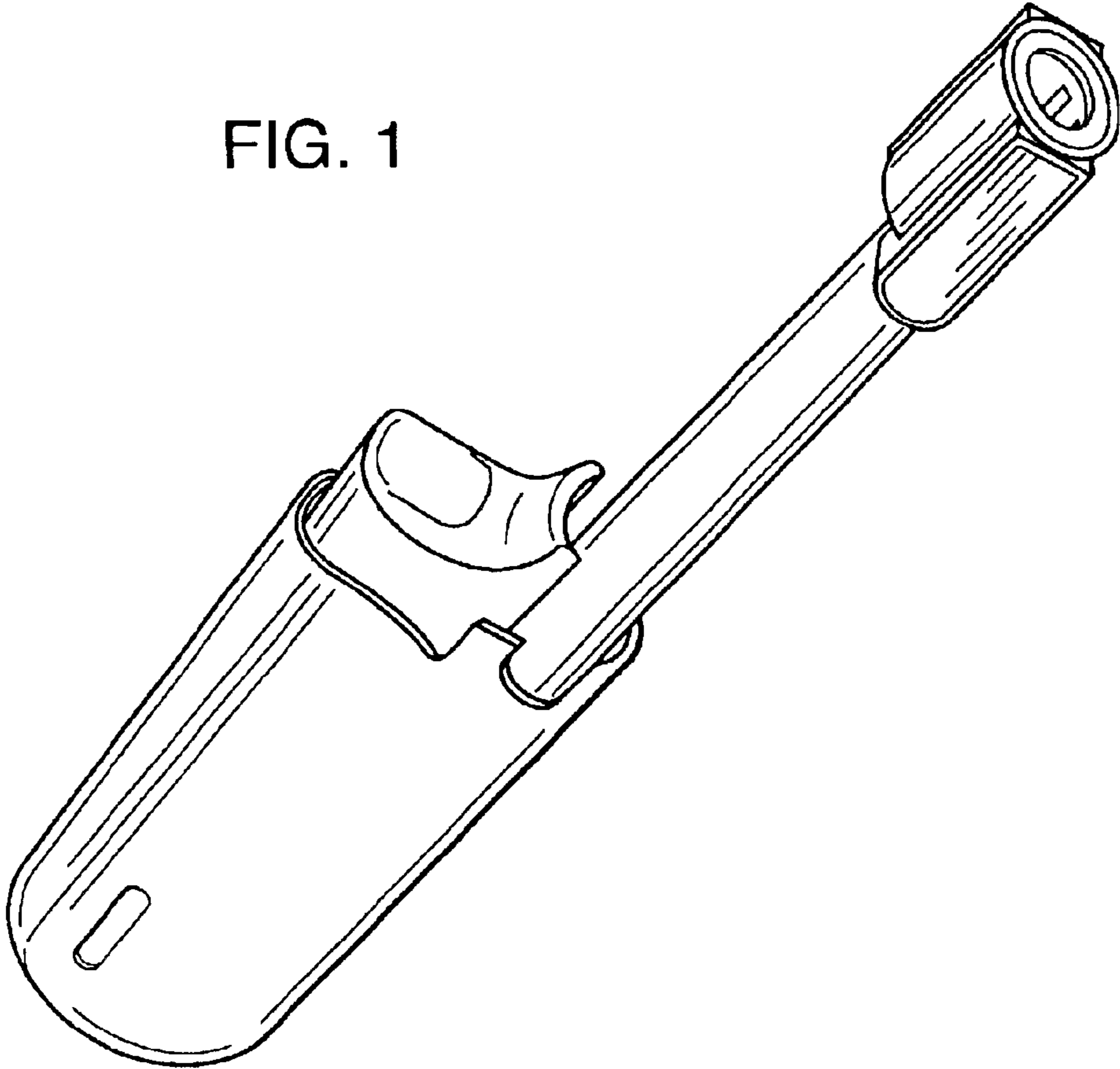
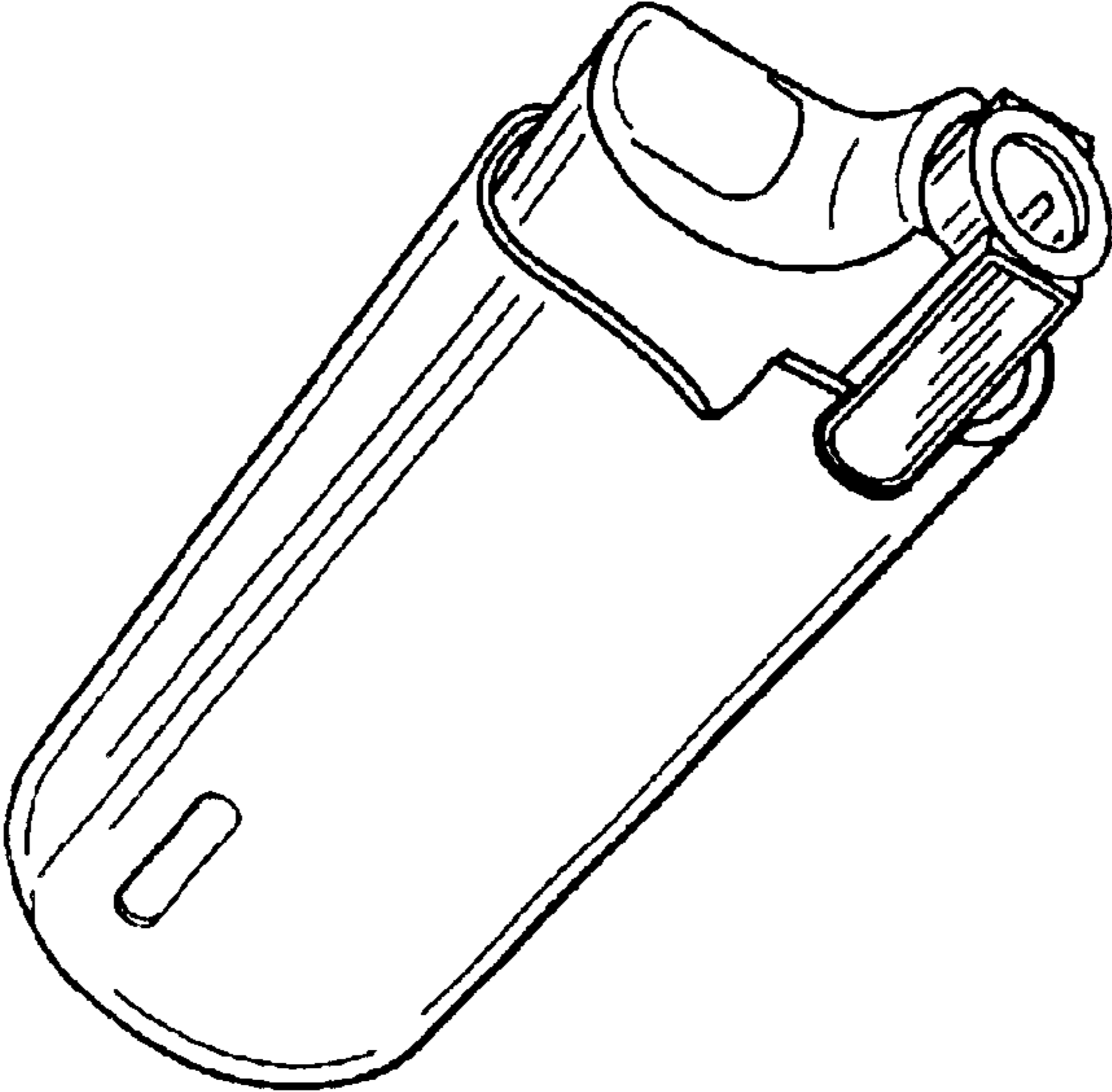


FIG. 2



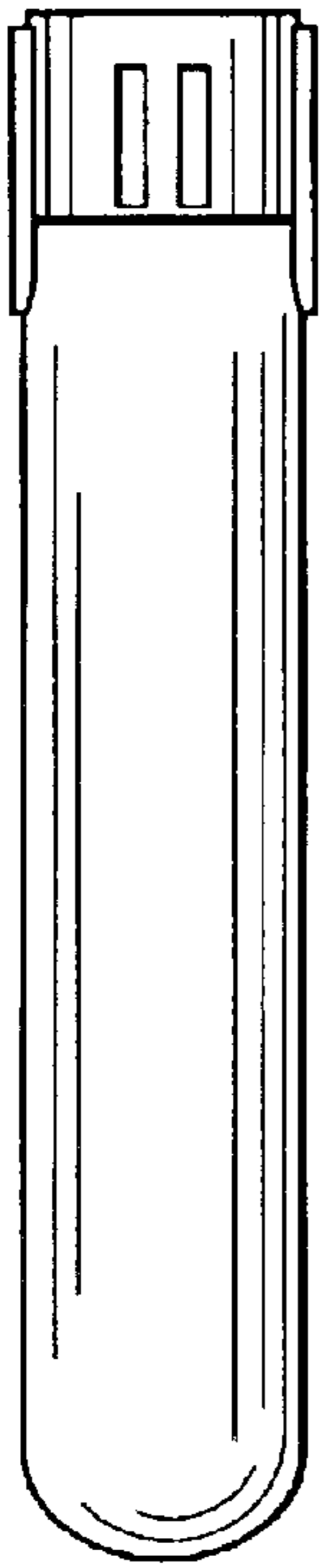


FIG. 3

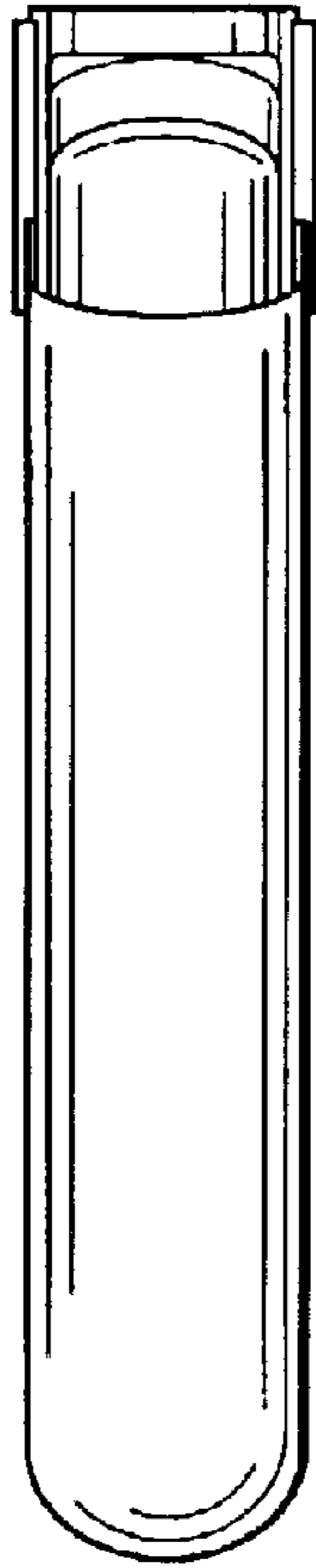


FIG. 4

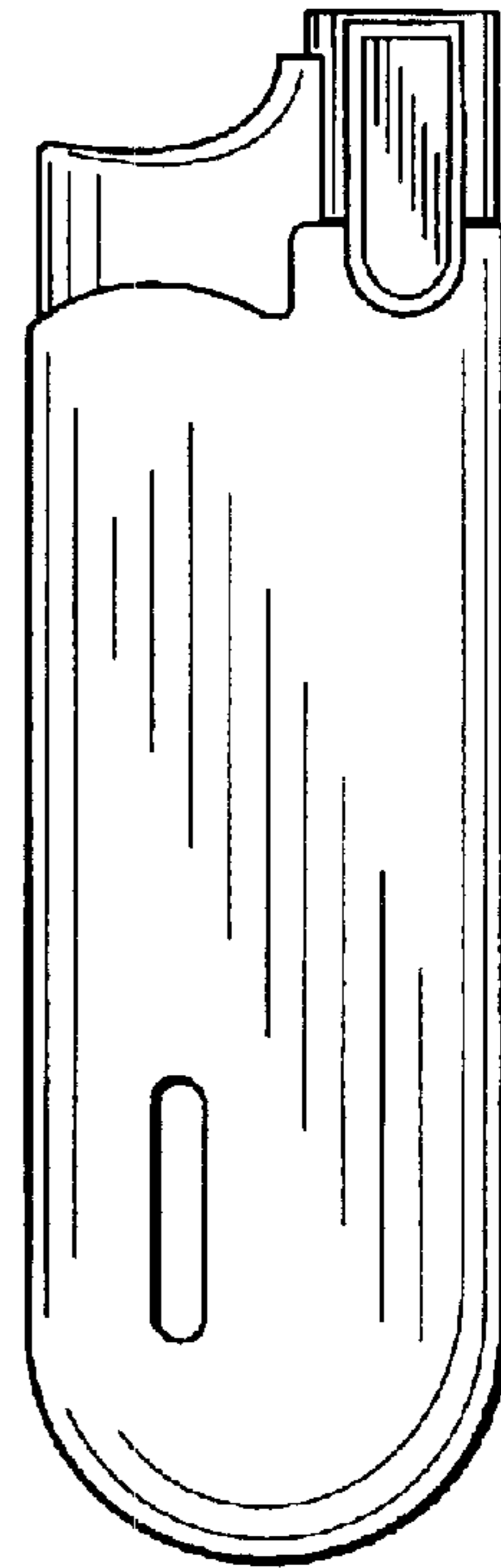


FIG. 5

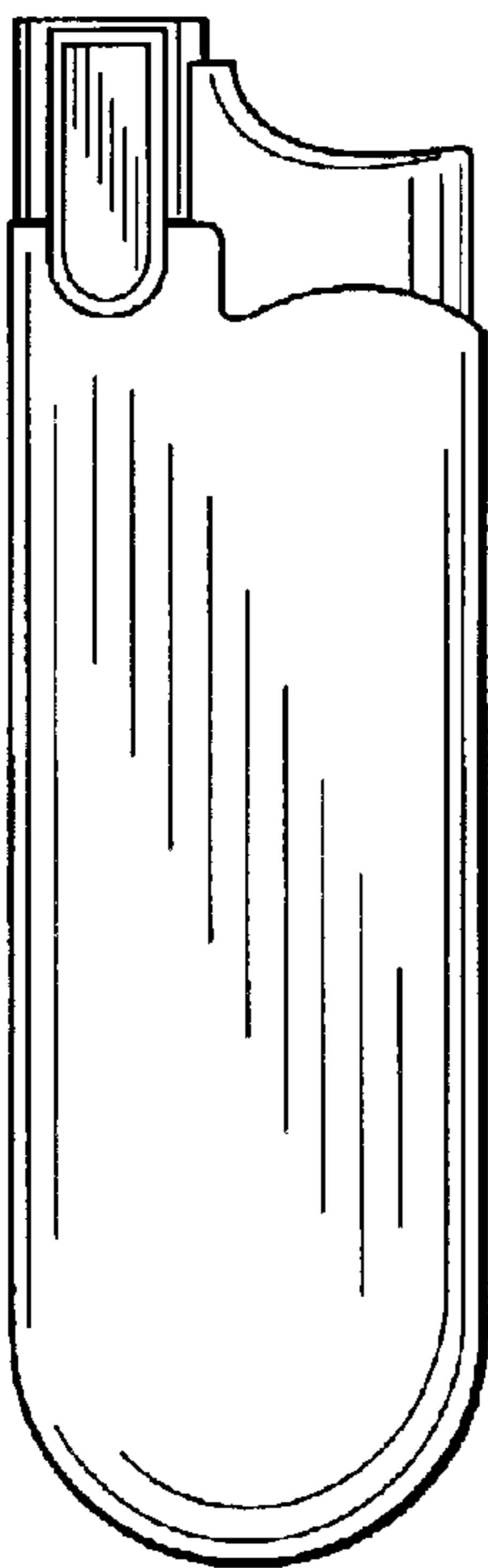


FIG. 6

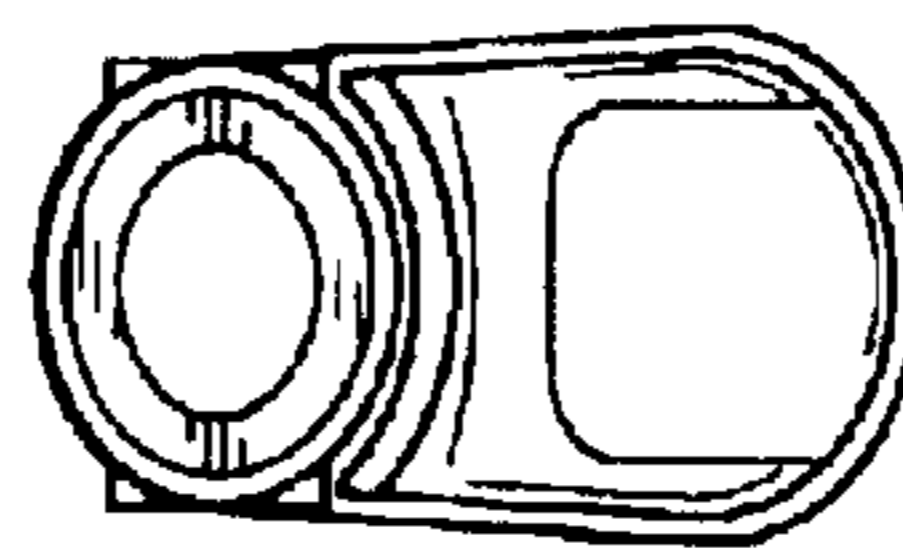


FIG. 7

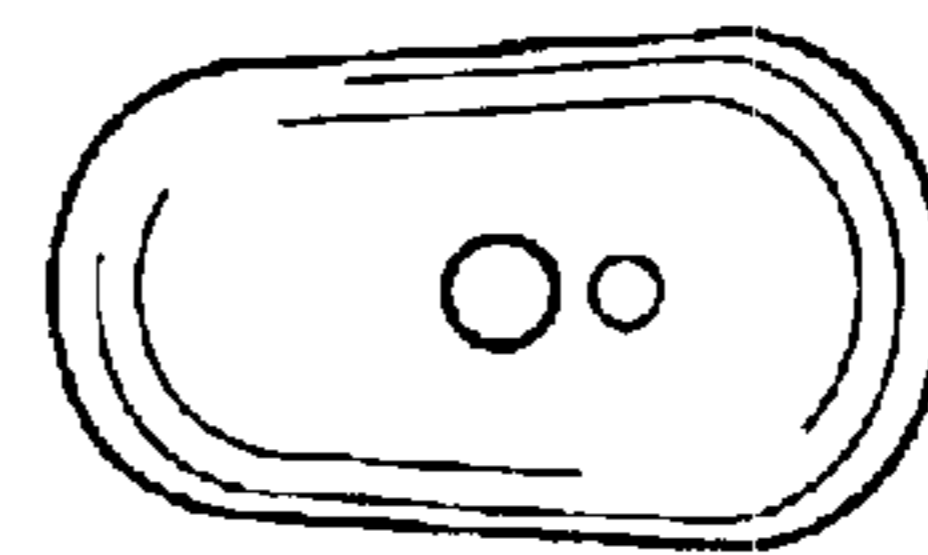


FIG. 8