



US00D497282S1

(12) **United States Design Patent**  
**Kelly et al.**

(10) **Patent No.: US D497,282 S**  
(45) **Date of Patent: \*\* Oct. 19, 2004**

(54) **BEVERAGE SHAKER TOP**  
(75) Inventors: **Elaine Marie Kelly**, Orlando, FL (US);  
**Maria L. Sanchez**, Orlando, FL (US)

2,090,998 A \* 8/1937 Amick ..... 220/568  
D210,004 S \* 1/1968 Pettengill ..... D9/556  
D274,696 S \* 7/1984 Marsden ..... D9/504  
D480,590 S \* 10/2003 Linz et al. .... D7/300.1  
D480,599 S \* 10/2003 Linz et al. .... D7/392

(73) Assignee: **Dart Industries Inc.**, Orlando, FL (US)

\* cited by examiner

(\*\*) Term: **14 Years**

*Primary Examiner*—M. N. Pandozzi

(74) *Attorney, Agent, or Firm*—John A. Doninger

(21) Appl. No.: **29/175,270**

(57) **CLAIM**

(22) Filed: **Jan. 31, 2003**

The ornamental design for a beverage shaker top, as shown and described.

(51) **LOC (7) Cl.** ..... **07-99**

(52) **U.S. Cl.** ..... **D7/392.1; D7/300.1**

(58) **Field of Search** ..... D7/397, 396.1,  
D7/396.2, 300.1, 591, 596, 391, 392, 392.1,  
900; D9/454, 447, 556; 215/355; 220/560;  
222/459, 568, 572, 189, 562

**DESCRIPTION**

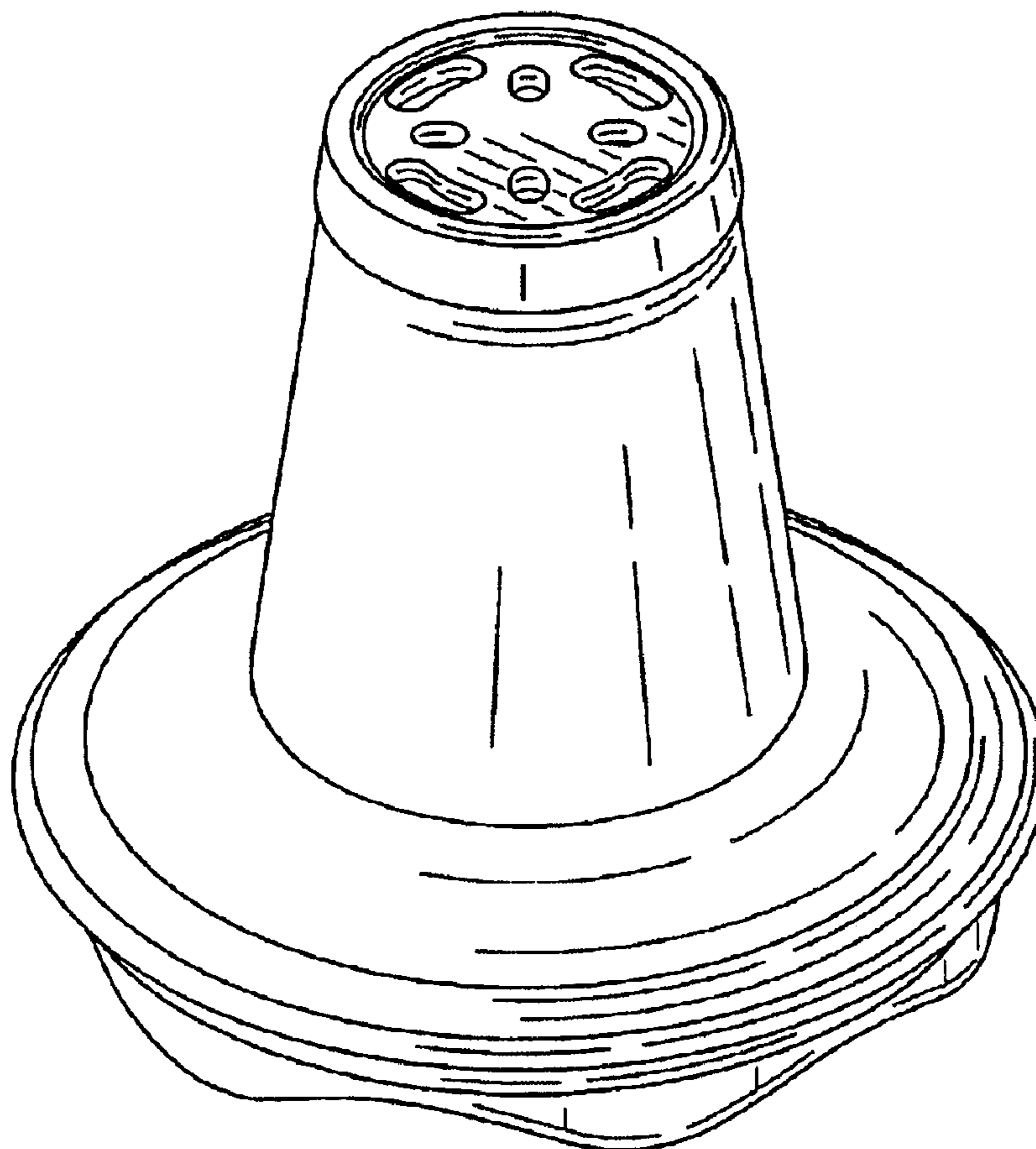
FIG. 1 is a top, side and front perspective view of a beverage shaker top showing the new design;  
FIG. 2 is a front elevation view, the rear elevation view being identical thereto;  
FIG. 3 is a right elevation view, the left elevation view being identical thereto;  
FIG. 4 is a top plan view thereof; and,  
FIG. 5 is a bottom plan view thereof.

(56) **References Cited**

**U.S. PATENT DOCUMENTS**

1,532,681 A \* 4/1925 Bryce ..... 222/562  
1,657,927 A \* 1/1928 Heinzen ..... 220/568  
1,740,223 A \* 12/1929 Burvenick ..... 220/568

**1 Claim, 2 Drawing Sheets**



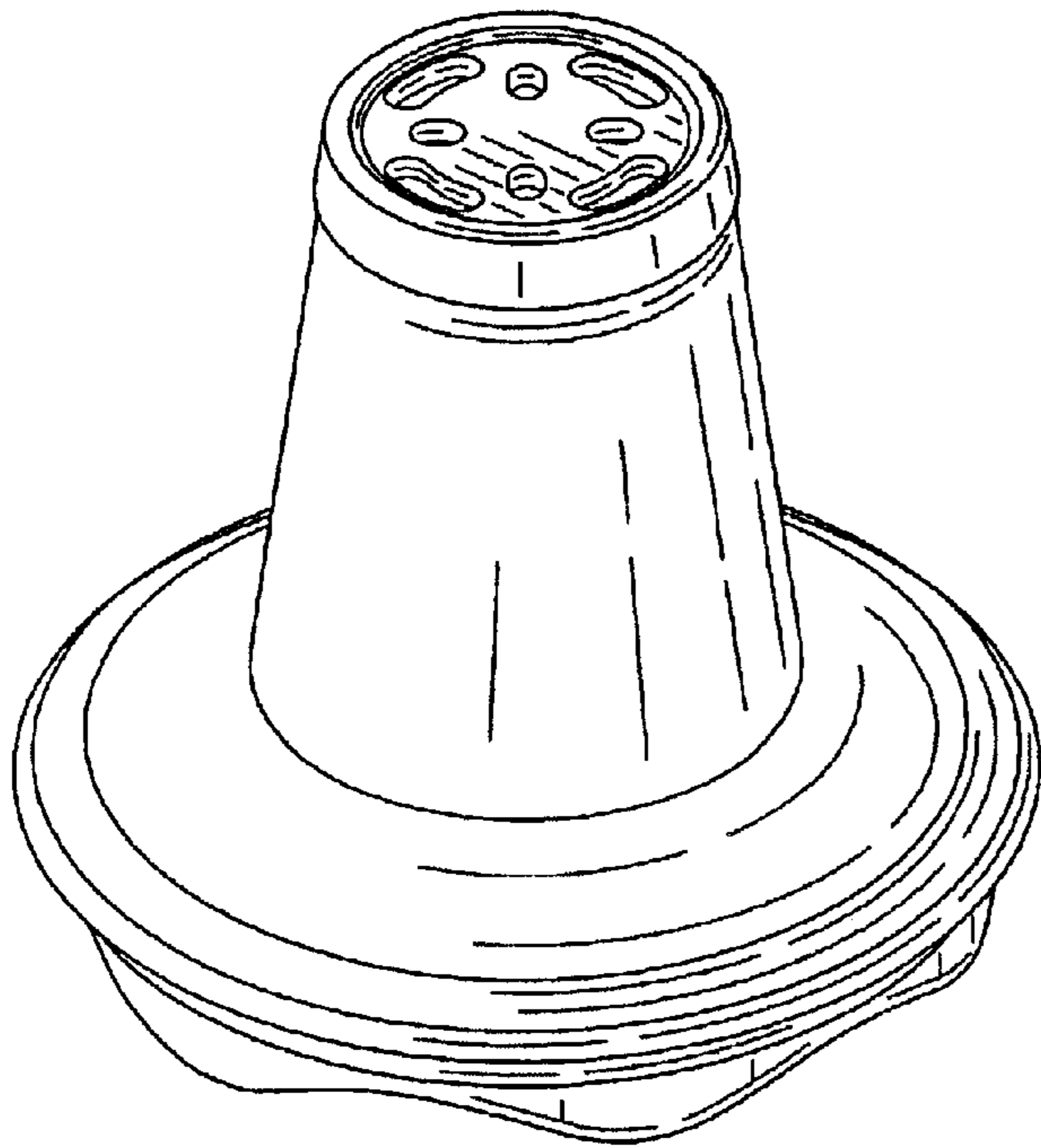


FIG. 1

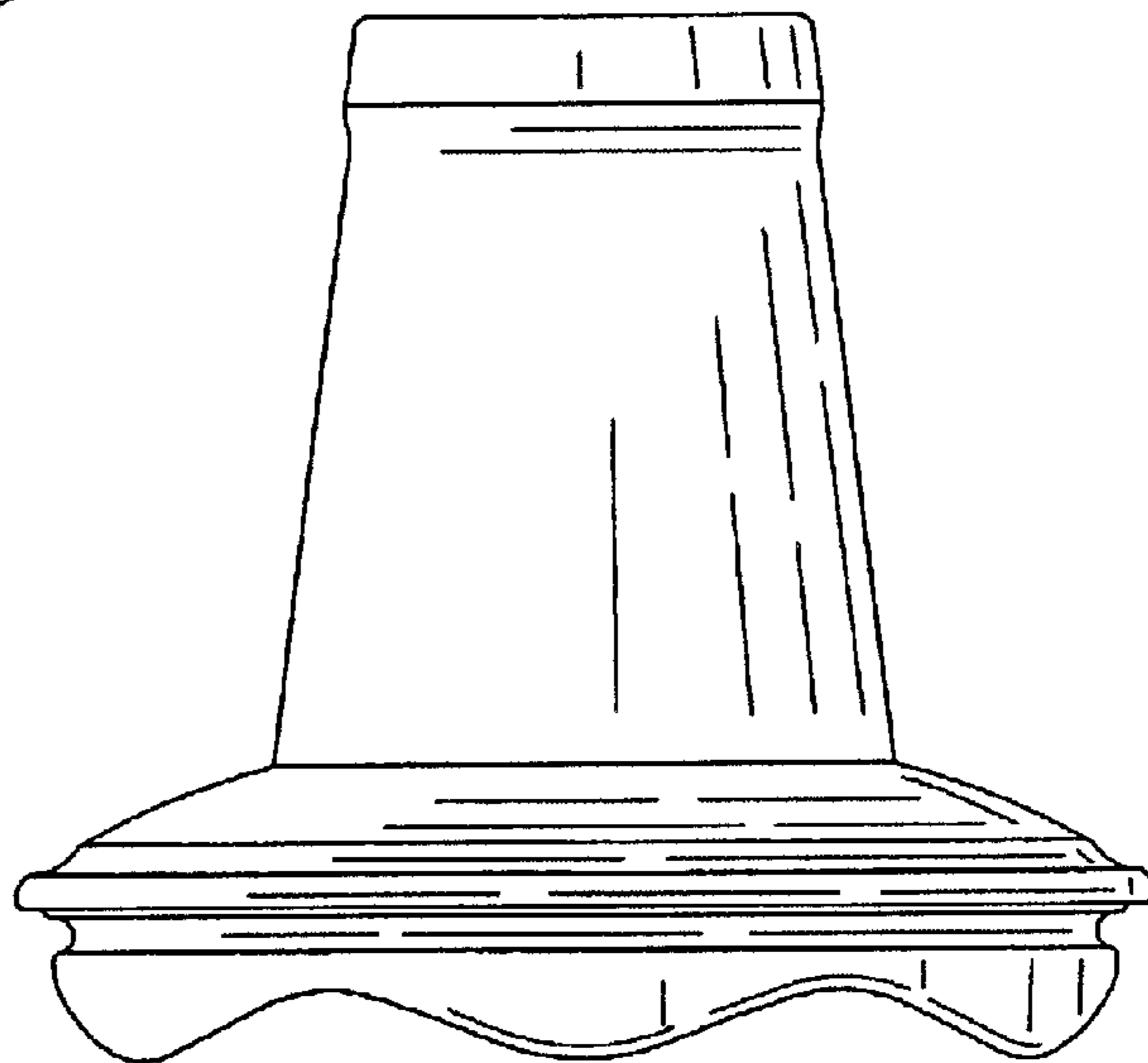


FIG. 2

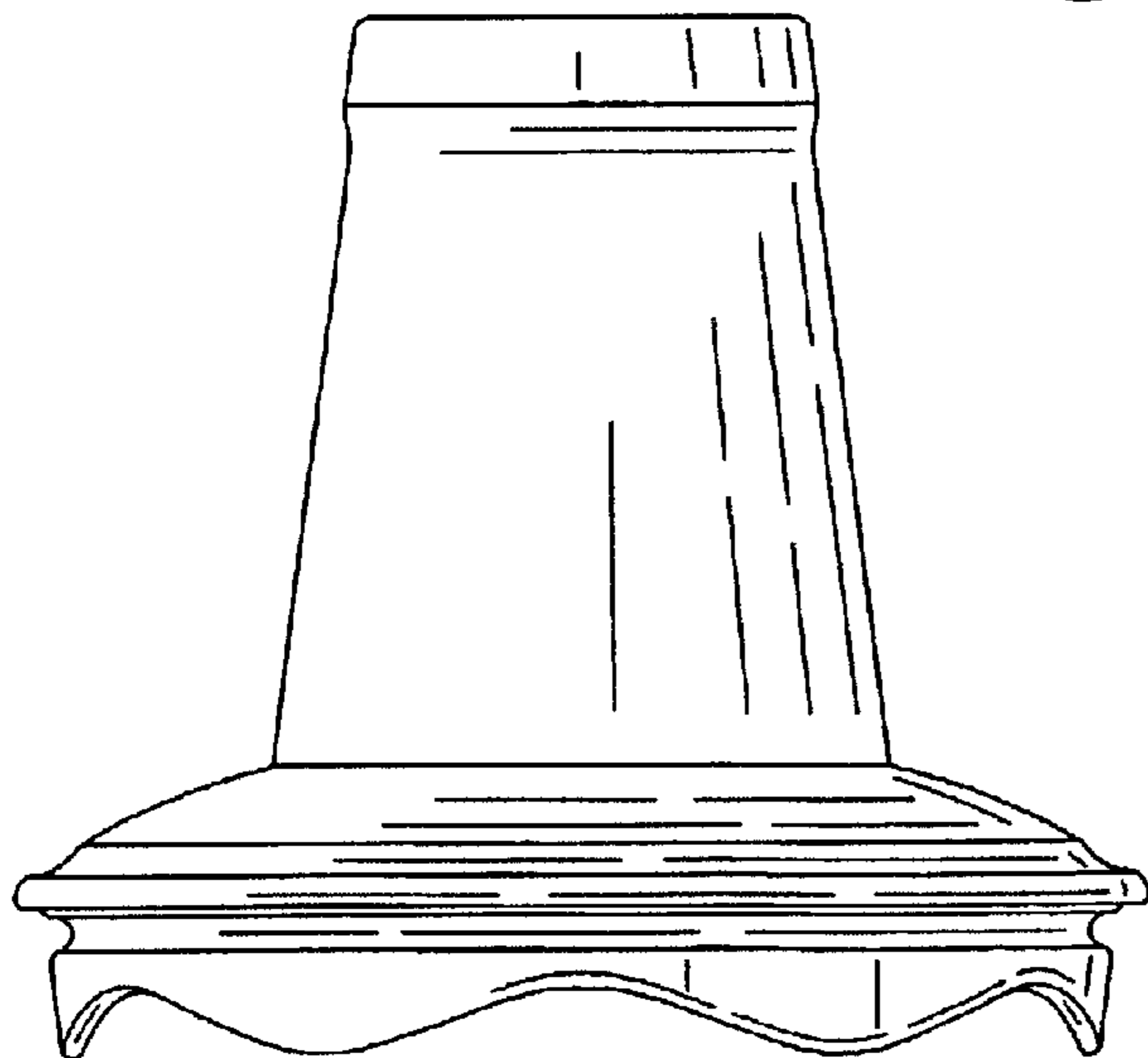


FIG. 3

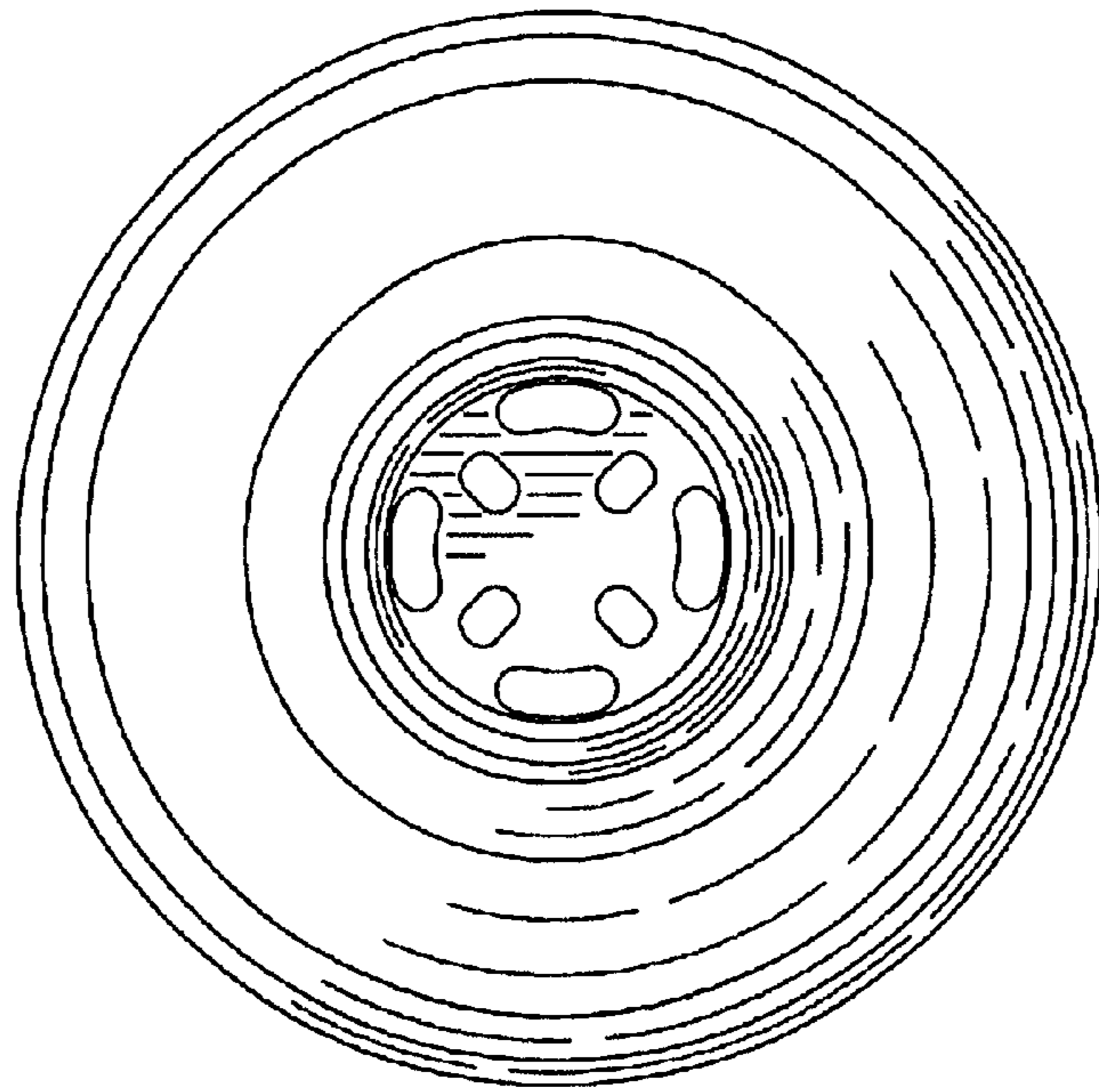


FIG. 4

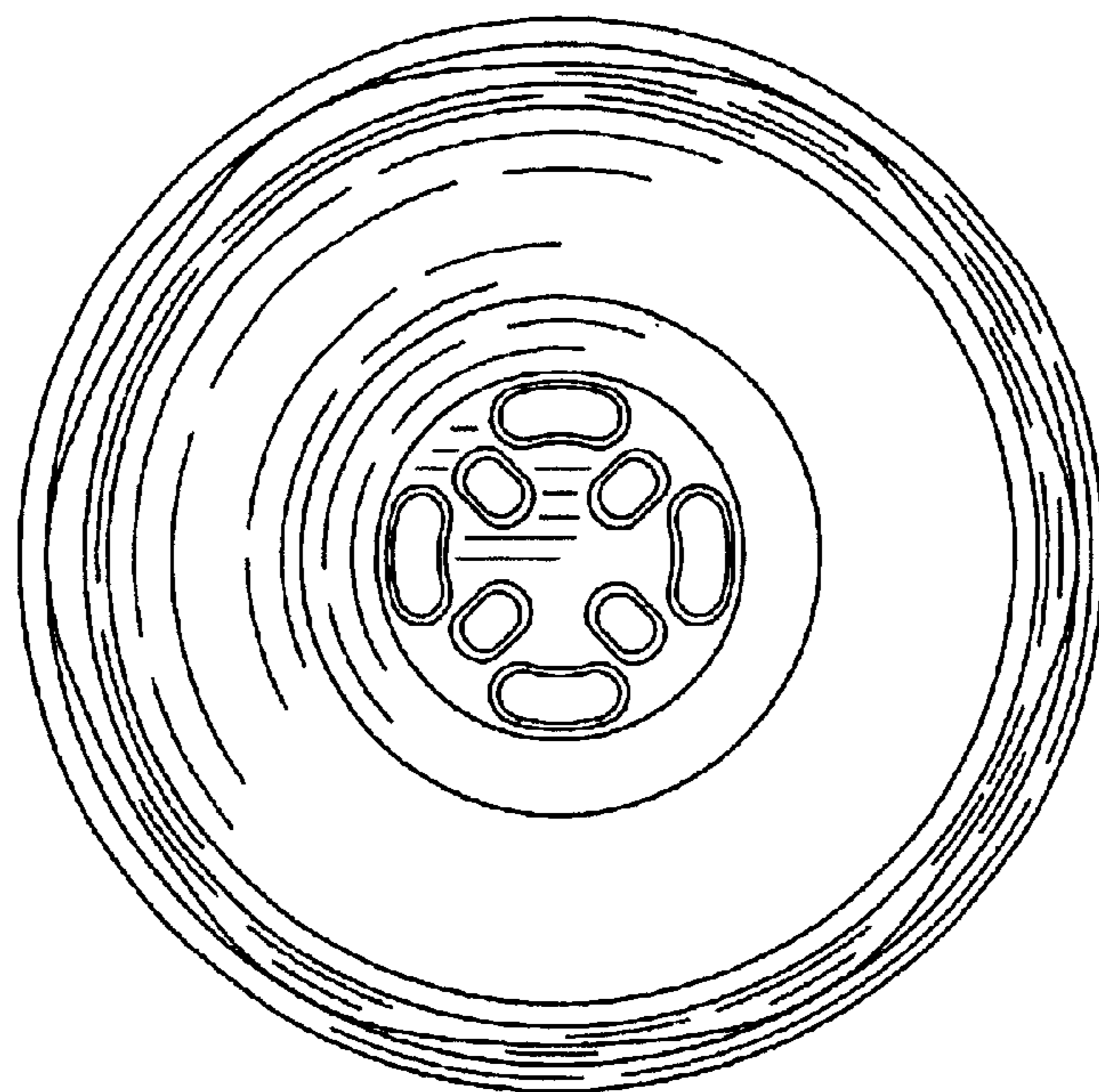


FIG. 5