

US00D497279S1

(12) **United States Design Patent**  
**Morrison**

(10) **Patent No.:** **US D497,279 S**  
(45) **Date of Patent:** **\*\* Oct. 19, 2004**

(54) **TOASTER**

(75) **Inventor:** **Jasper Charles Morrison, London (GB)**

(73) **Assignee:** **SEB, Selongey (FR)**

(\*\*) **Term:** **14 Years**

(21) **Appl. No.:** **29/185,444**

(22) **Filed:** **Jun. 30, 2003**

(30) **Foreign Application Priority Data**

Dec. 31, 2002 (FR) ..... 02 7913

(51) **LOC (7) Cl.** ..... **07-02**

(52) **U.S. Cl.** ..... **D7/330**

(58) **Field of Search** ..... D7/328-330; 99/331, 99/339, 341, 385, 389, 326; 426/243

(56) **References Cited**

**U.S. PATENT DOCUMENTS**

D266,732 S \* 11/1982 Kelley ..... D7/330  
D300,498 S \* 4/1989 Ansel ..... D7/330

D306,249 S \* 2/1990 Tamada et al. .... D7/330  
D329,161 S \* 9/1992 Eisenberg ..... D7/330  
D375,017 S \* 10/1996 Barrault ..... D7/330  
D470,710 S \* 2/2003 Littmann ..... D7/330

\* cited by examiner

*Primary Examiner*—Caron D. Veynar

(74) *Attorney, Agent, or Firm*—Browdy and Neimark, P.L.L.C.

(57) **CLAIM**

The ornamental design for a toaster, as shown.

**DESCRIPTION**

FIG. 1 is a front view of a toaster in accordance with the present design;

FIG. 2 is a rear view thereof;

FIG. 3 is a left side view thereof;

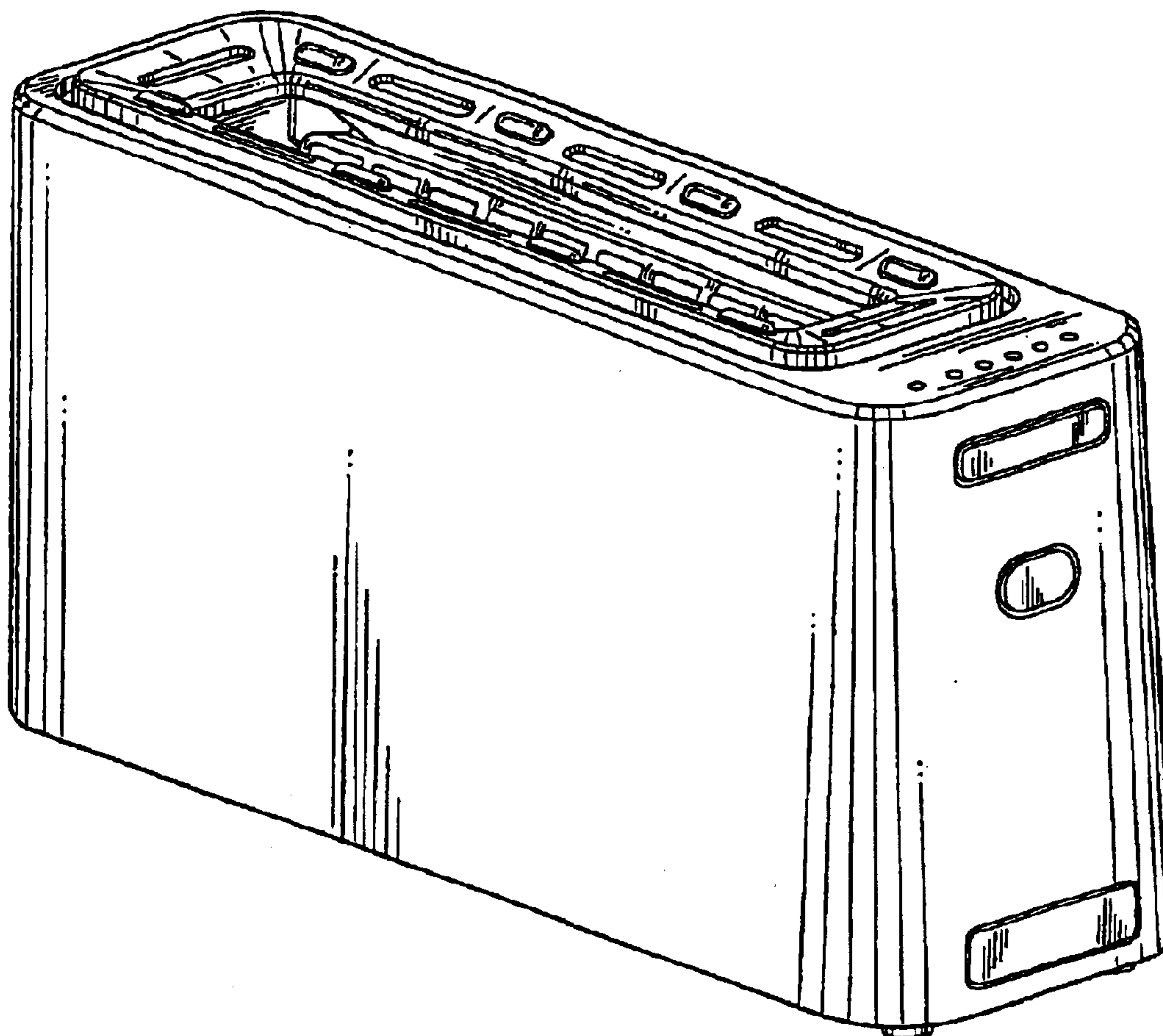
FIG. 4 is a right side view thereof;

FIG. 5 is a top plan view thereof;

FIG. 6 is a bottom plan view thereof; and,

FIG. 7 is a three quarter perspective view thereof.

**1 Claim, 7 Drawing Sheets**



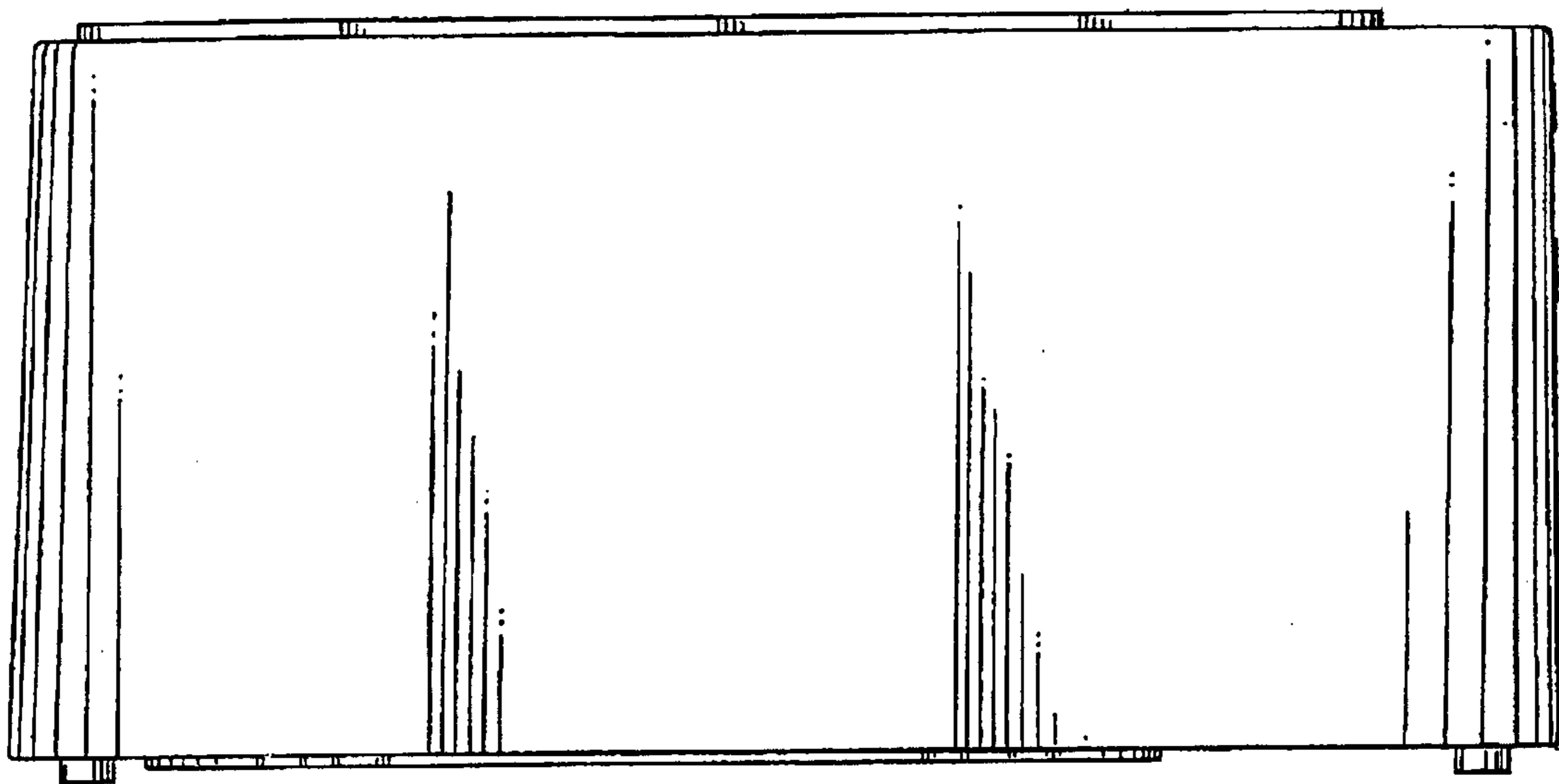


Fig. 1

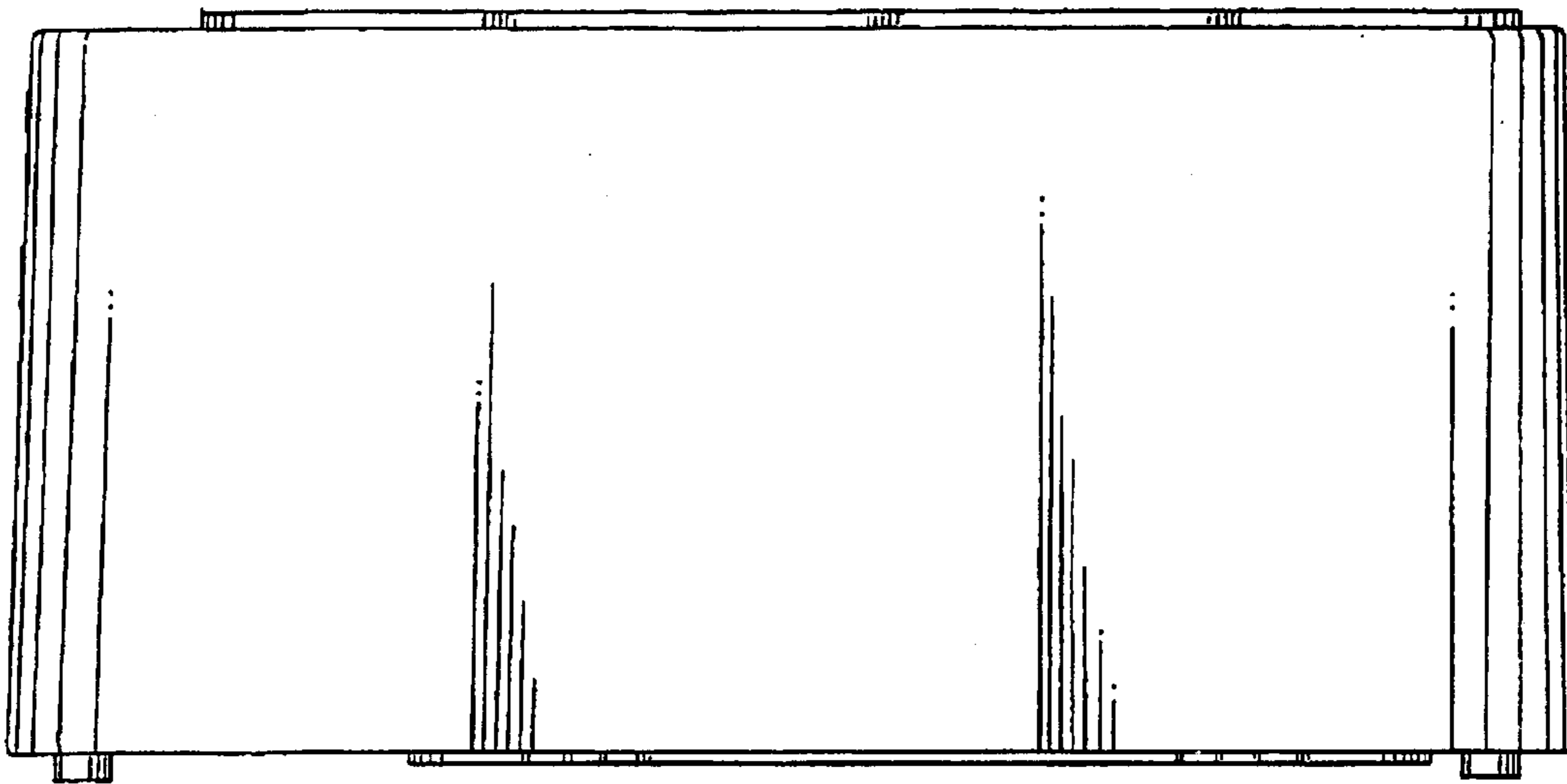
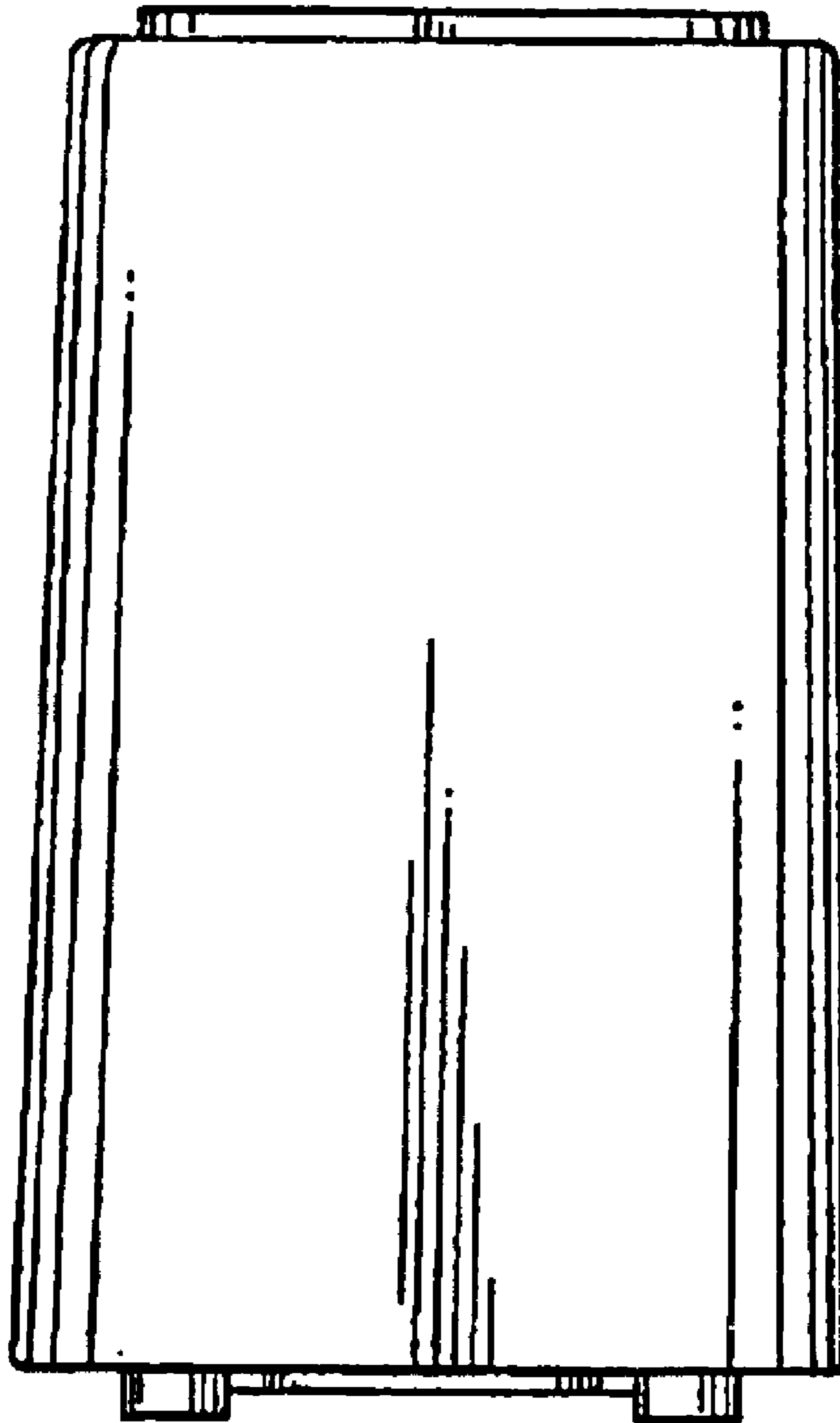
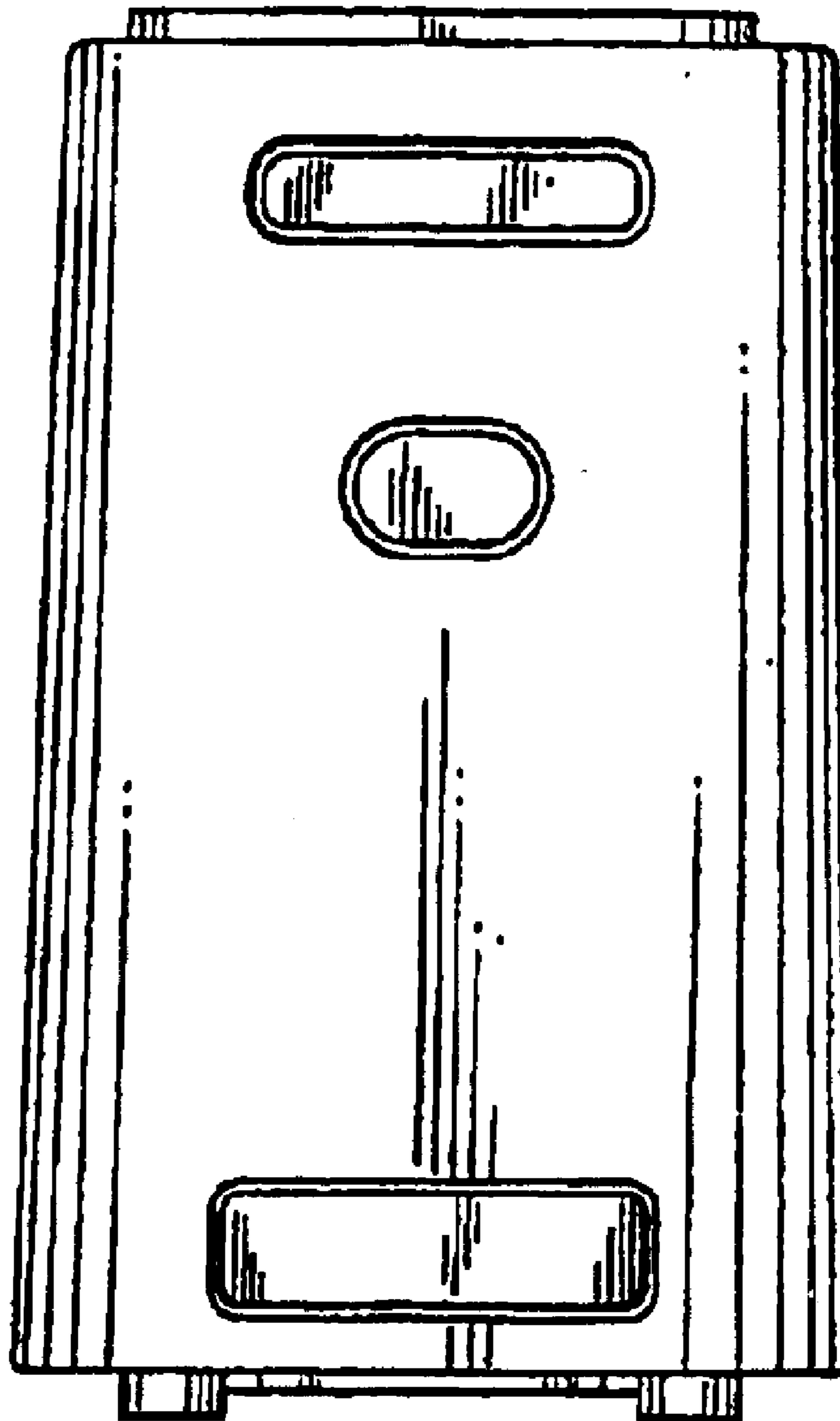


Fig. 2



**Fig. 3**



**Fig. 4**

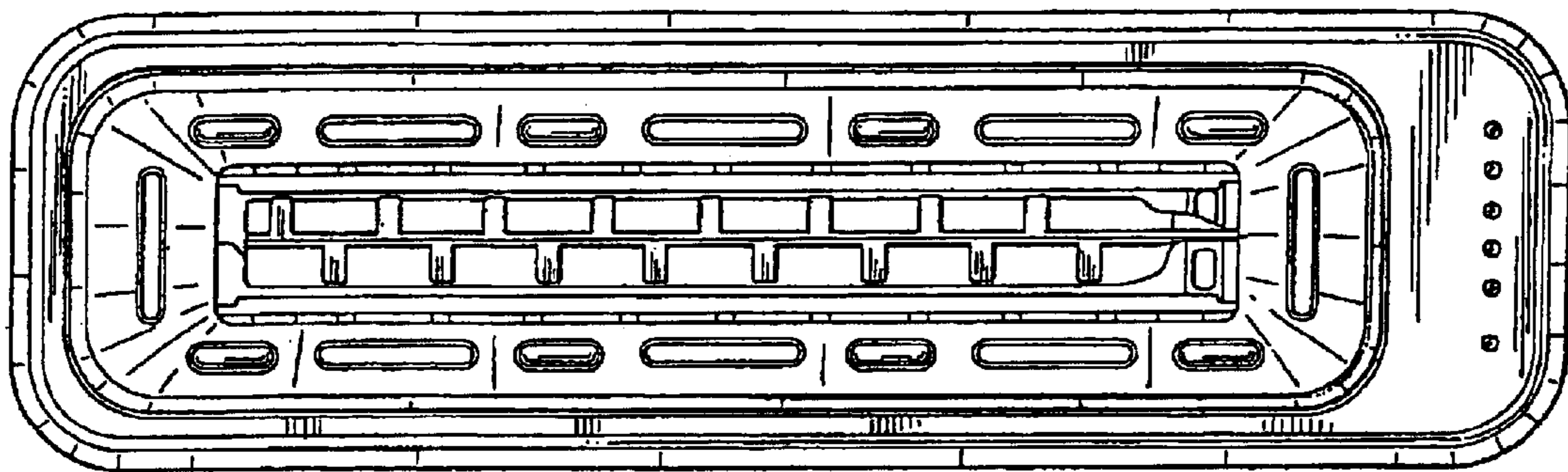


Fig. 5

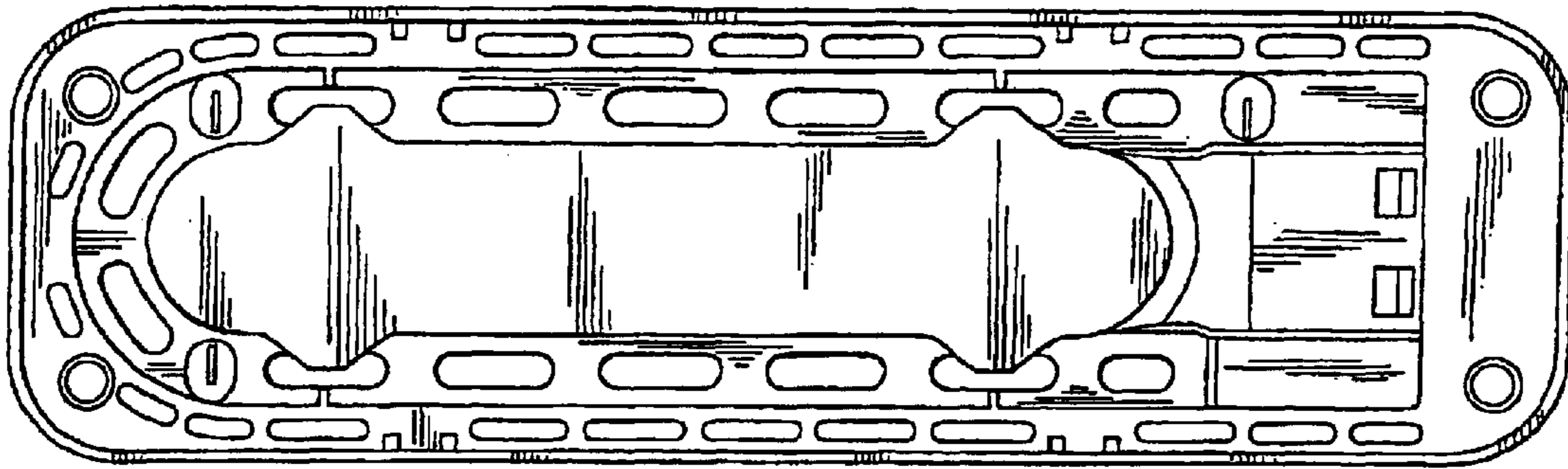


Fig. 6

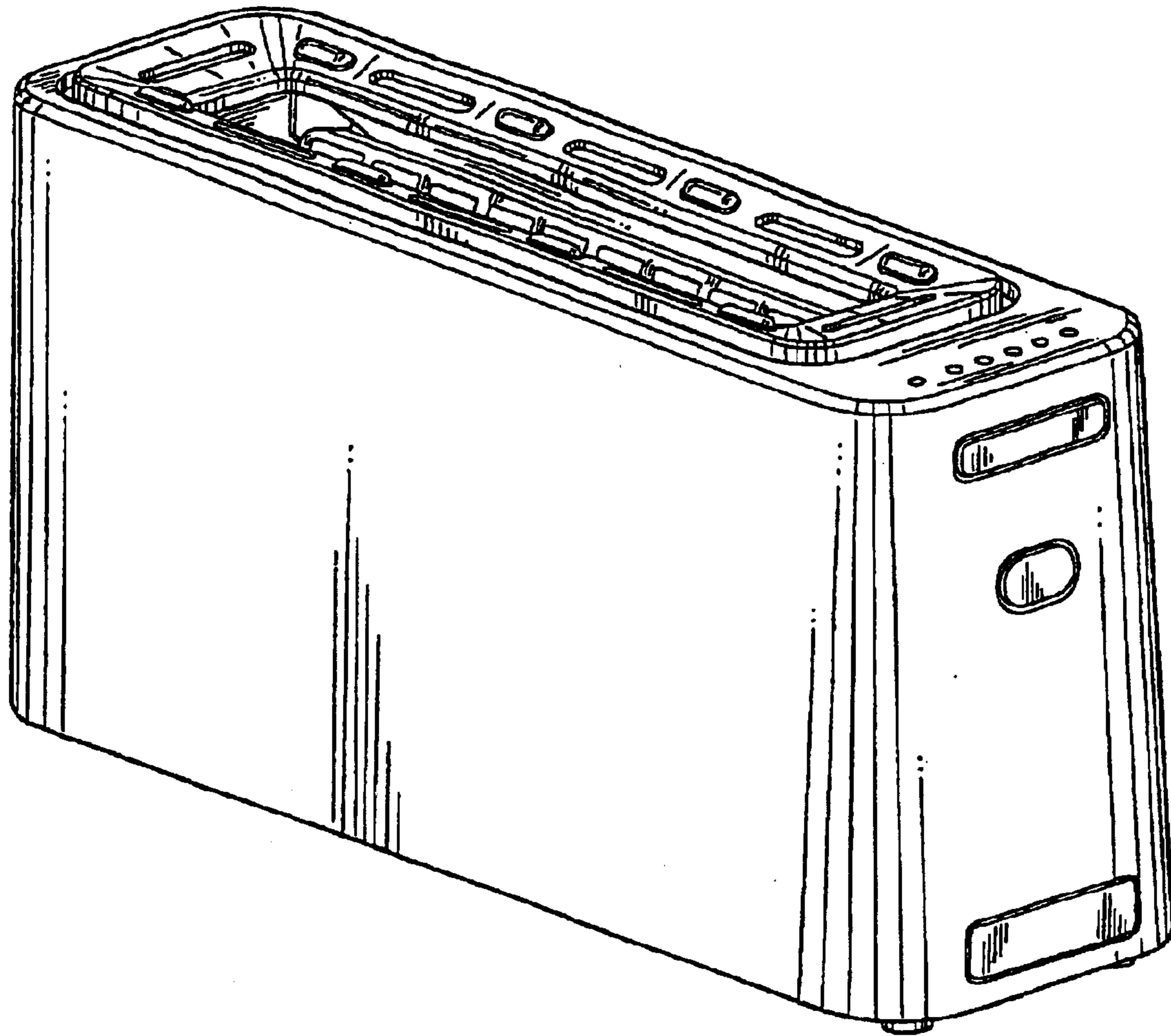


Fig. 7