

US00D497264S1

(12) **United States Design Patent** (10) **Patent No.:** **US D497,264 S**
Aubriet et al. (45) **Date of Patent:** **** Oct. 19, 2004**

(54) **SEAT**
(75) **Inventors:** **Cécile Aubriet**, Strasbourg (FR); **David McMillan**, Leiden (NL); **Simon Wilkinson**, Leiderdorp (NL); **Rogier Kappelhoff**, Amsterdam (NL)

D469,618 S * 2/2003 Nagamitsu D6/366
6,523,898 B1 2/2003 Ball et al.
D476,493 S * 7/2003 Nagamitsu D6/366
D477,469 S * 7/2003 Brooks D6/366
D482,205 S * 11/2003 Englisch et al. D6/366
D486,315 S * 2/2004 Beaulieu et al. D6/366
D488,313 S * 4/2004 Seiler D6/366
2003/0080595 A1 5/2003 Wilkerson et al.

(73) **Assignee:** **Steelcase S.A.** (FR)

(**) **Term:** **14 Years**

(21) **Appl. No.:** **29/190,926**

(22) **Filed:** **Sep. 29, 2003**

(51) **LOC (7) Cl.** **06-01**

(52) **U.S. Cl.** **D6/366**

(58) **Field of Search** D6/334, 364, 365,
D6/366, 367, 500, 501, 502; 297/411.2,
411.27

(56) **References Cited**

U.S. PATENT DOCUMENTS

4,776,633 A 10/1988 Knoblock et al.
D309,383 S 7/1990 Muller Deisig et al.
D312,003 S 11/1990 Muller-Deisig et al.
5,385,388 A 1/1995 Faiks et al.
5,577,807 A 11/1996 Hodge et al.
5,597,203 A 1/1997 Hubbard
5,782,536 A 7/1998 Heidmann et al.
5,975,634 A 11/1999 Knoblock et al.
6,000,759 A 12/1999 Pedronno et al.
6,086,153 A 7/2000 Heidmann et al.
D436,260 S * 1/2001 Nagamitsu D6/366
D437,132 S 2/2001 Nagamitsu
D451,294 S 12/2001 Simons, Jr. et al.

OTHER PUBLICATIONS

Exhibit A, Steelcase Brochure on version of a "Please" chair (19 pages); printed in France, and published more than one year prior to the filing date of Sep. 29, 2003.

* cited by examiner

Primary Examiner—Gary D. Watson

(74) *Attorney, Agent, or Firm*—Price, Heneveld, Cooper, DeWitt & Litton LLP

(57) **CLAIM**

The ornamental design for a seat, as shown and described.

DESCRIPTION

FIG. 1 is a perspective view of a seat, showing our new design, taken from a forward portion thereof;
FIG. 2 is a perspective view, taken from a rearward portion thereof;
FIG. 3 is a front elevational view;
FIG. 4 is a rear elevational view;
FIG. 5 is a right-hand side elevational view;
FIG. 6 is a left-hand side elevational view; and,
FIG. 7 is a top plan view thereof.

1 Claim, 7 Drawing Sheets

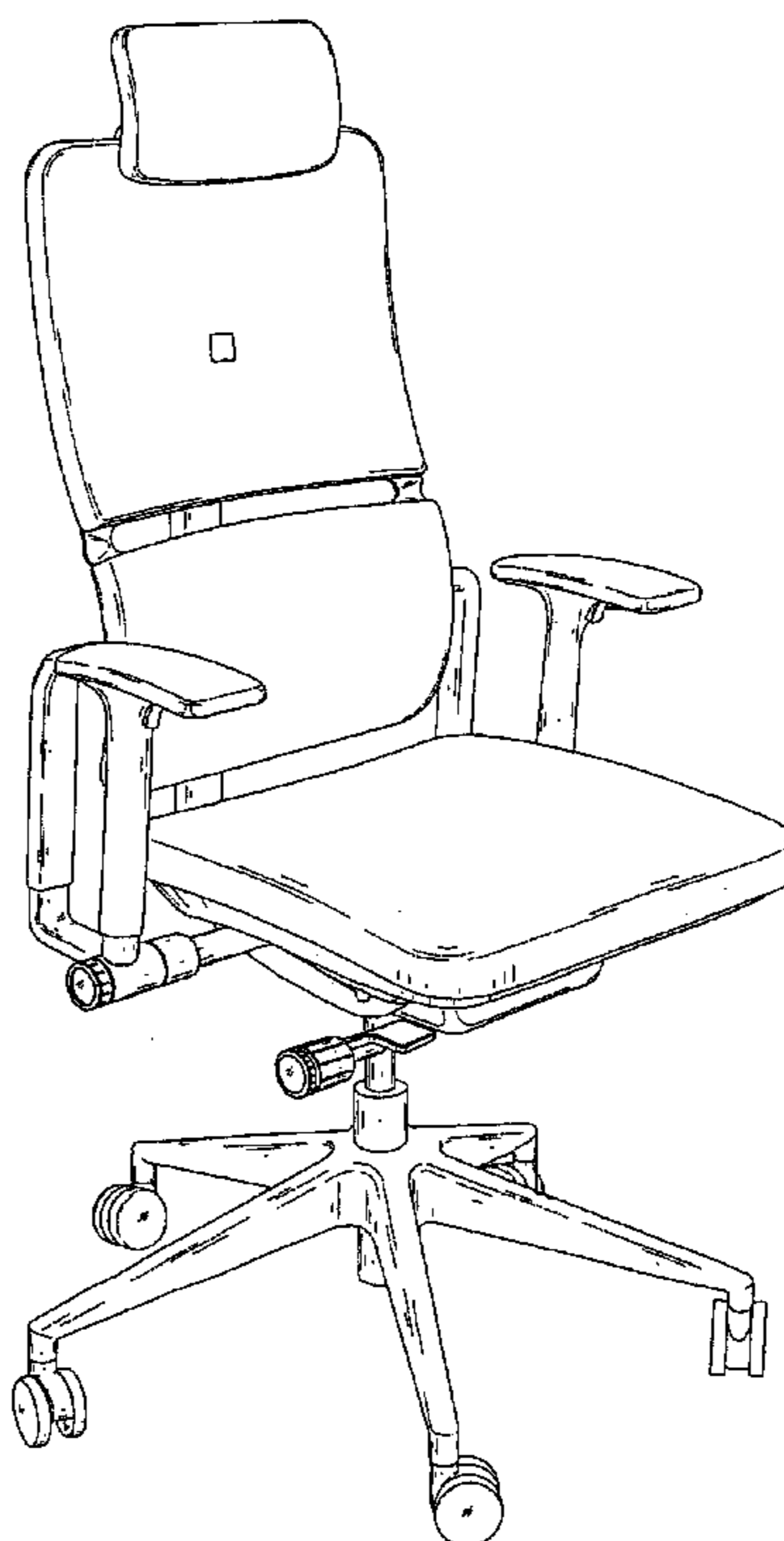




Fig 1

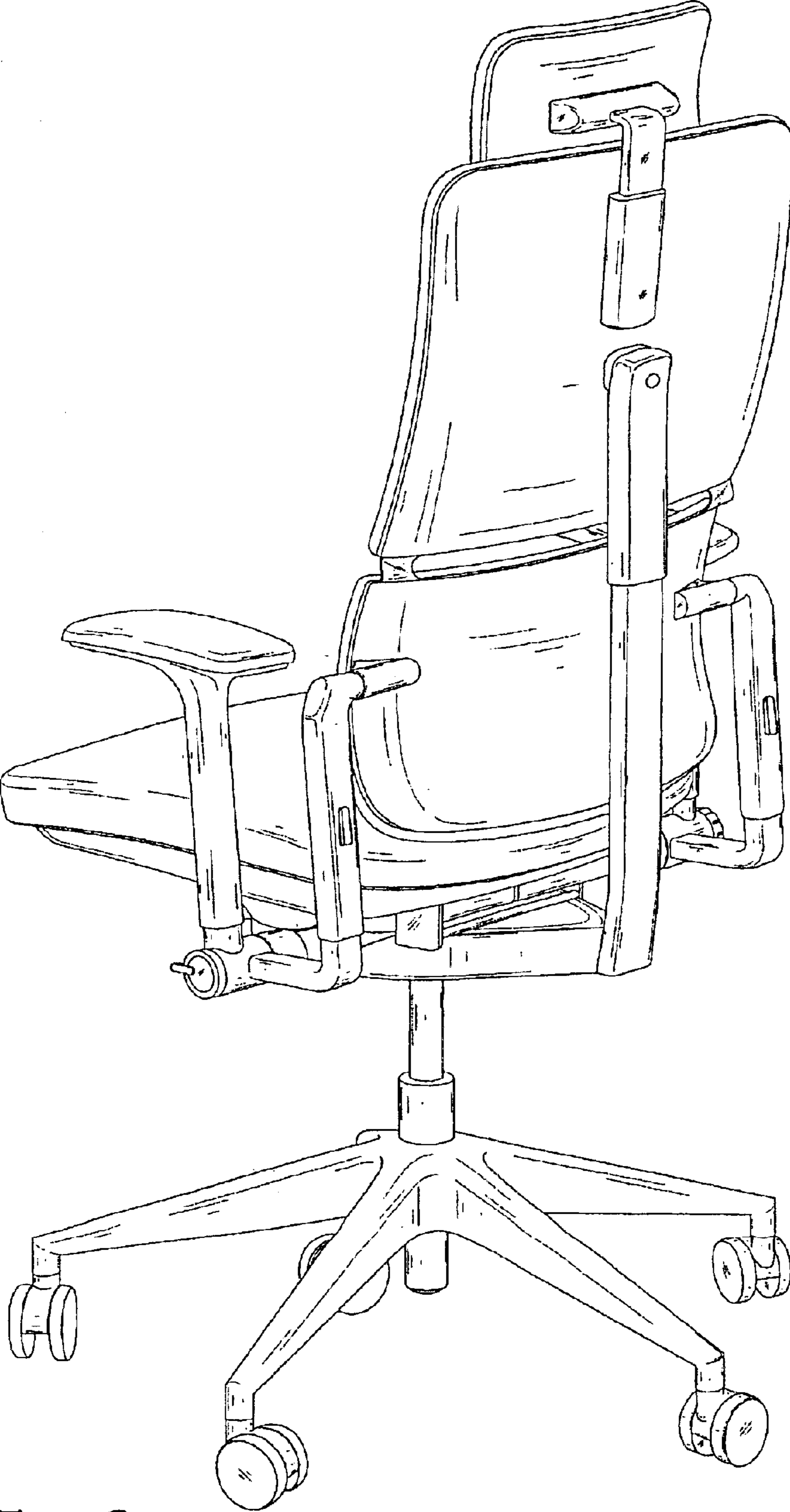


Fig 2

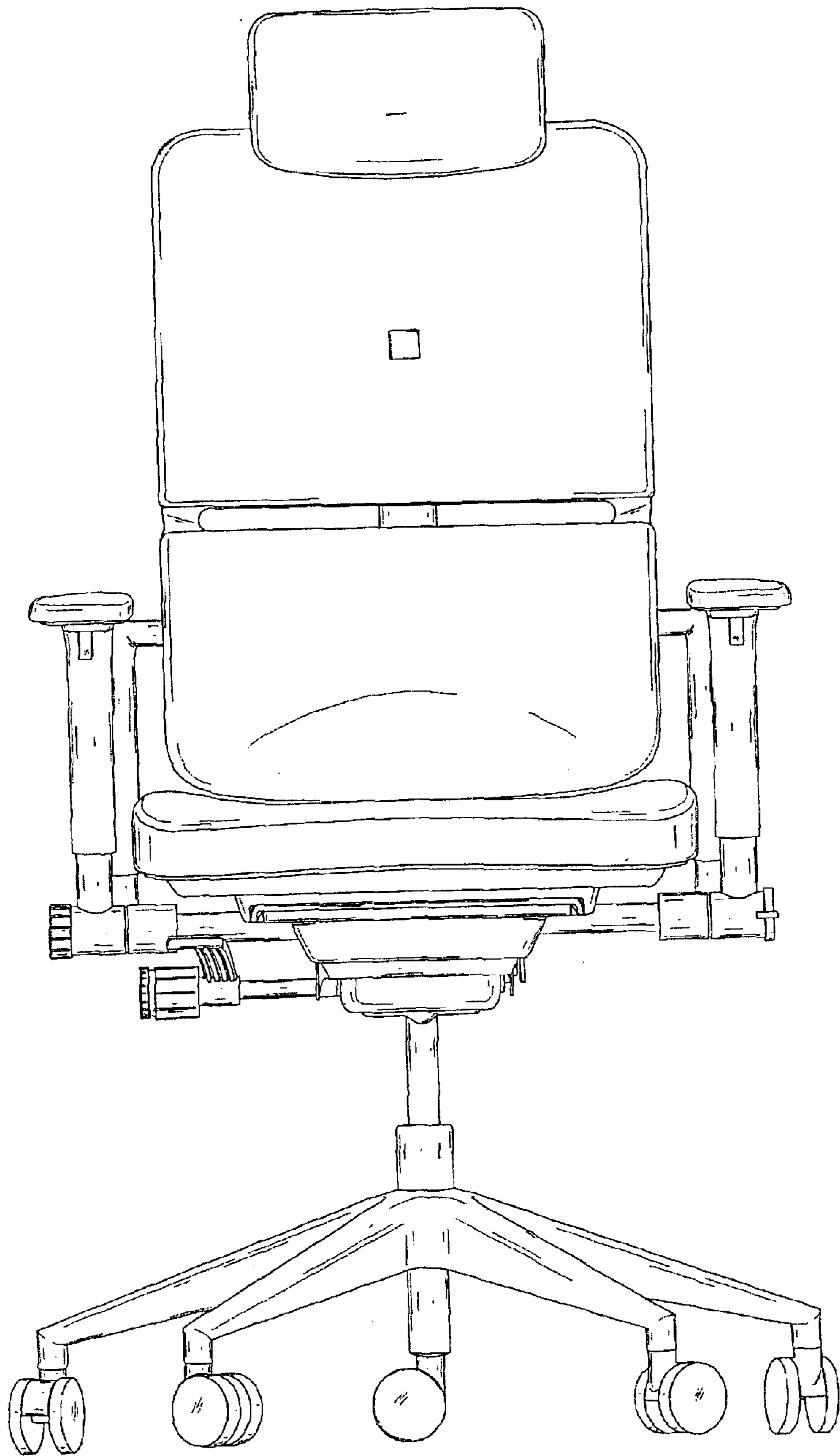


Fig 3

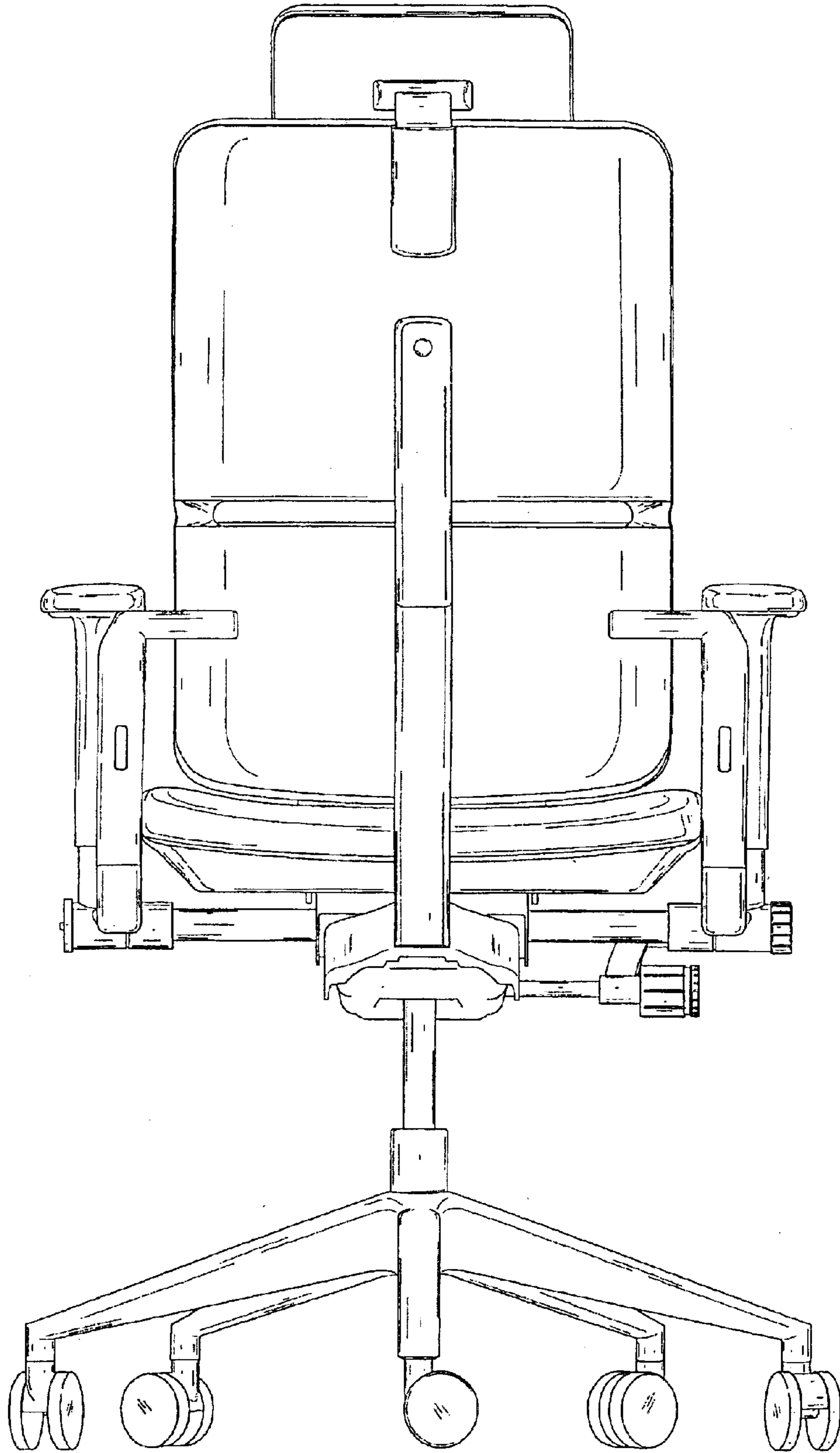


Fig 4

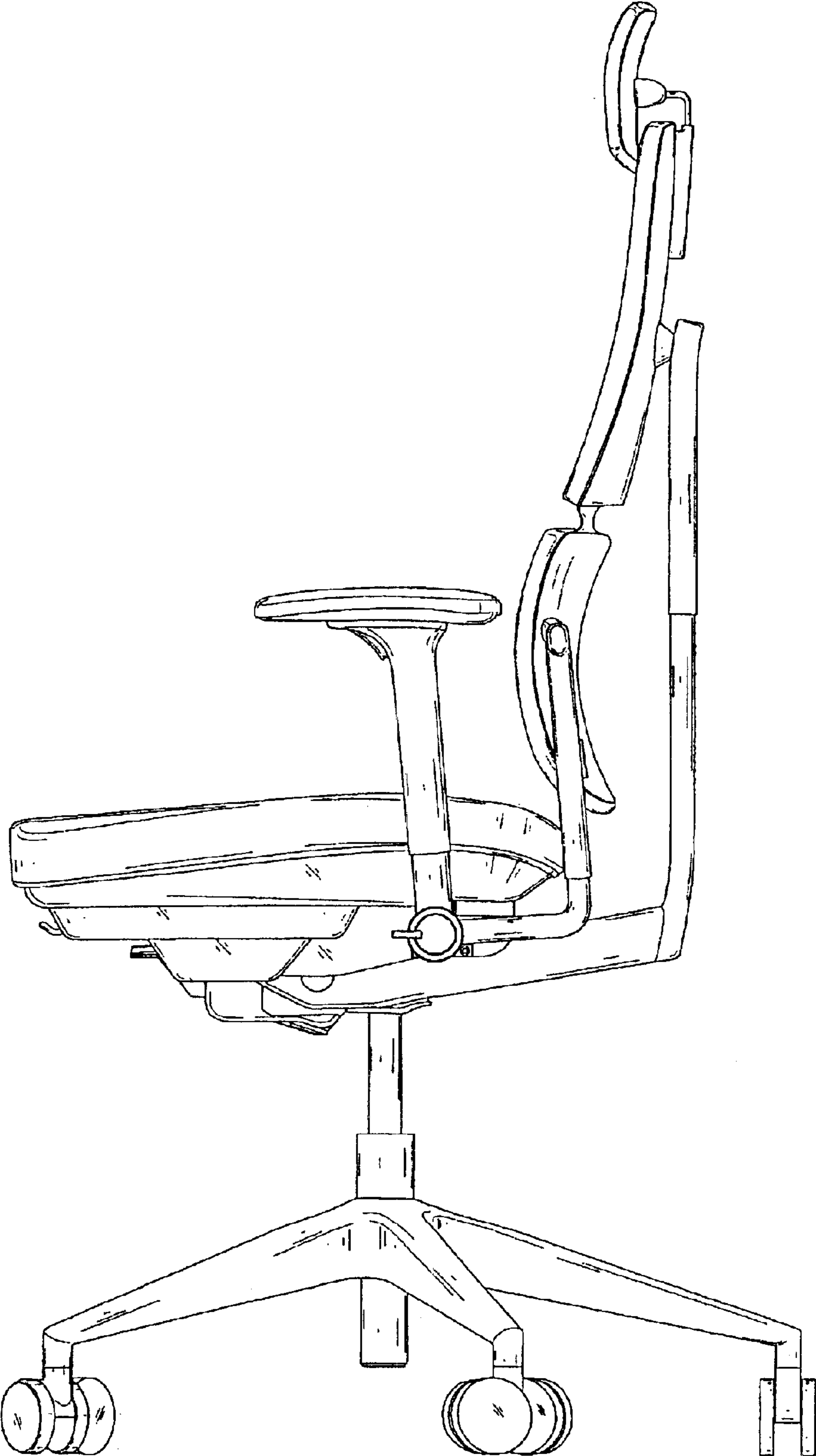


Fig 5

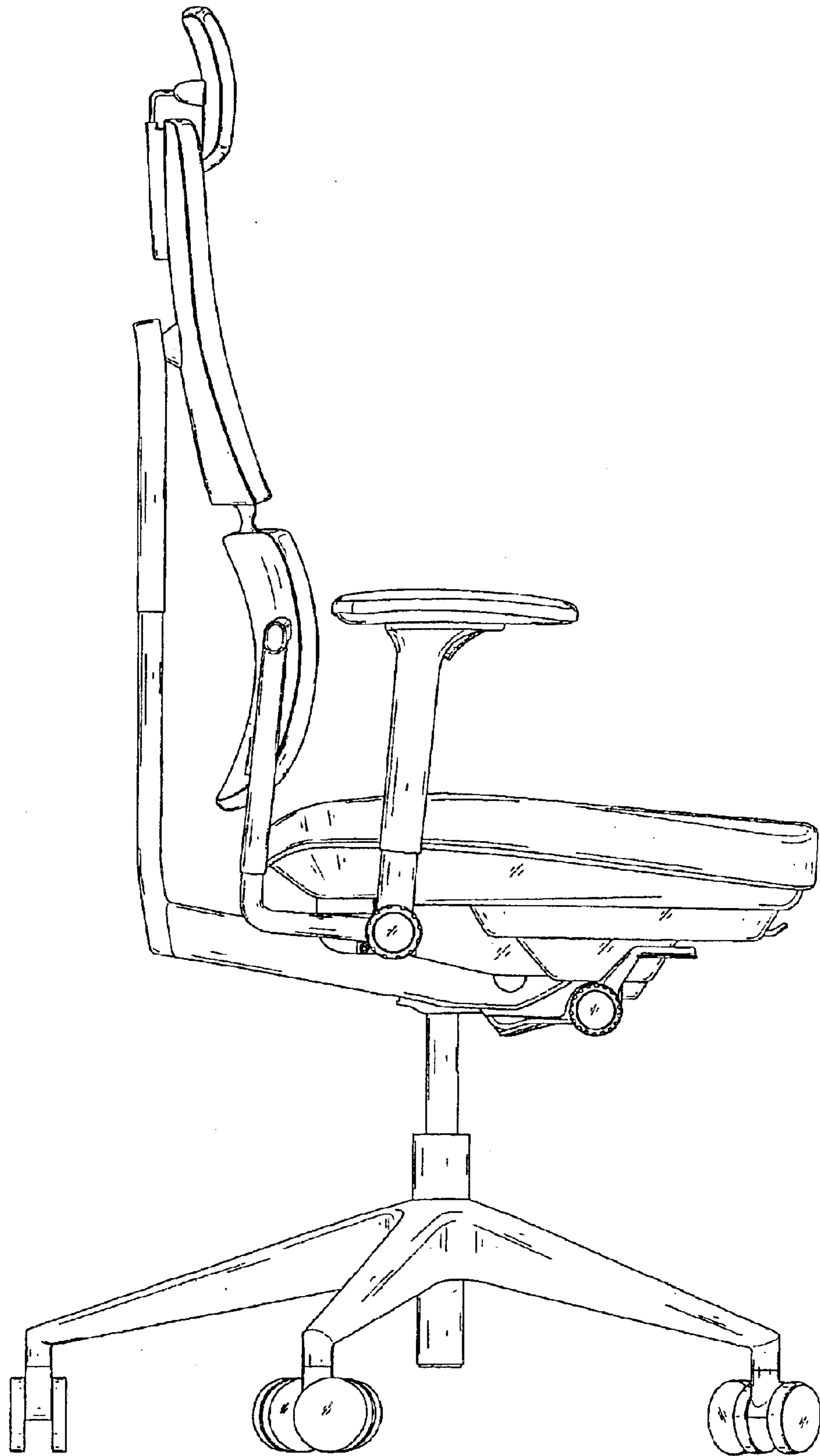


Fig 6

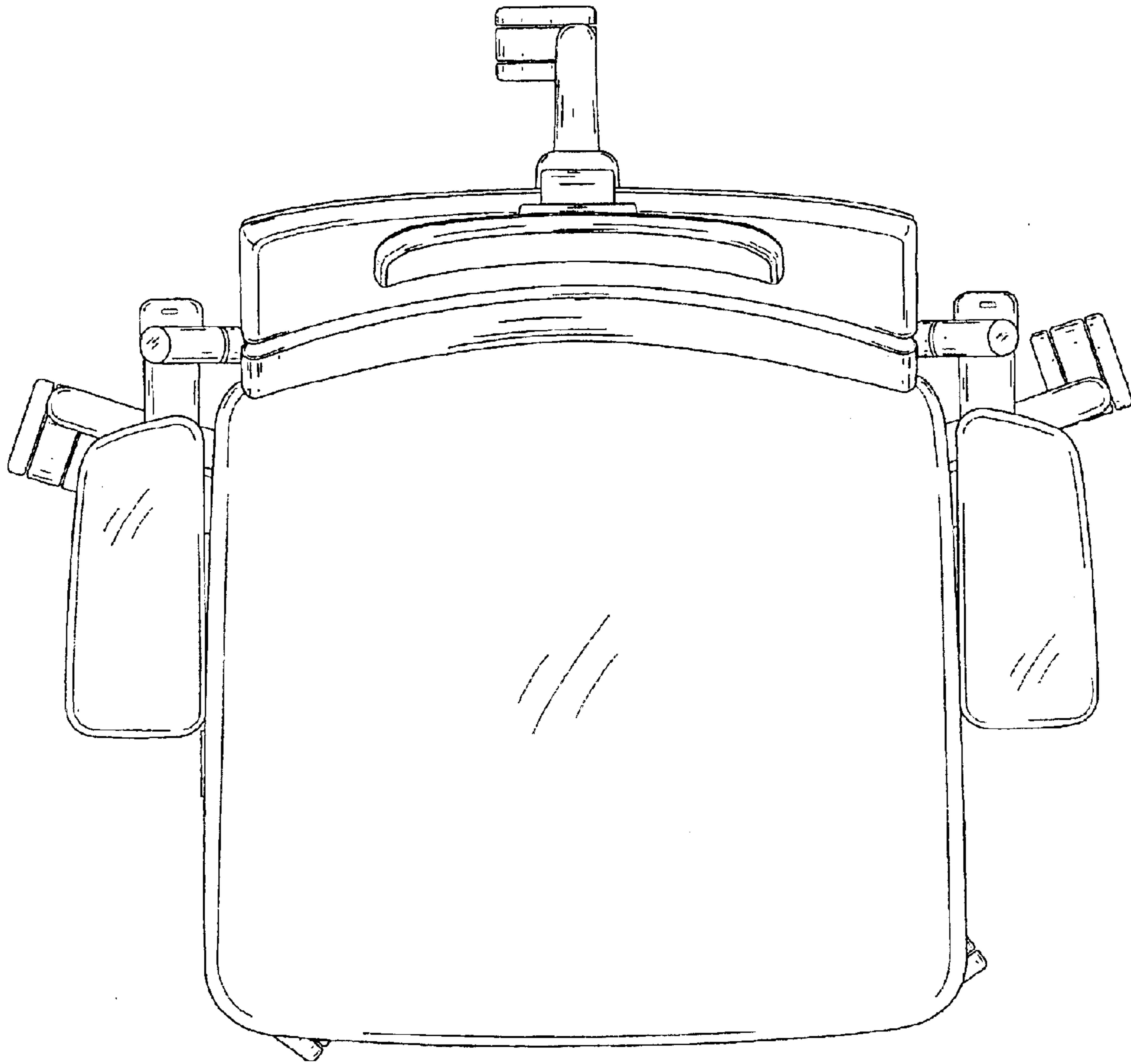


Fig 7