

US00D497263S1

(12) **United States Design Patent**  
**Darling**

(10) **Patent No.:** **US D497,263 S**  
(45) **Date of Patent:** **\*\* Oct. 19, 2004**

(54) **TABLE AND BENCH UNIT**

(75) **Inventor:** **Elaine Darling**, Toronto (CA)

(73) **Assignee:** **Rehabilitation Foundation for the Disabled**, Toronto (CA)

(\*\*) **Term:** **14 Years**

(21) **Appl. No.:** **29/200,097**

(22) **Filed:** **Feb. 24, 2004**

(30) **Foreign Application Priority Data**

Dec. 8, 2003 (CA) ..... 105209

(51) **LOC (7) Cl.** ..... **06-01**

(52) **U.S. Cl.** ..... **D6/337**

(58) **Field of Search** ..... D6/334-336, 337,  
D6/370, 500-502; 297/157.1, 158.1, 158.2,  
158.3, 158.4, 159.1, 170, 452.63; 108/35,  
160, 161

(56) **References Cited**

**U.S. PATENT DOCUMENTS**

3,262,734 A \* 7/1966 Kuks ..... 297/158.3  
D235,394 S \* 6/1975 Ruth ..... D6/337  
4,060,275 A \* 11/1977 Hansen ..... 297/158.4

D266,376 S \* 10/1982 Musgrove ..... D6/337  
6,099,074 A \* 8/2000 Wallace, III ..... 297/158.4  
D431,918 S \* 10/2000 Tseng ..... D6/337  
2004/0070235 A1 \* 4/2004 Gregory ..... 297/158.4

\* cited by examiner

*Primary Examiner*—Mimosa De

(74) *Attorney, Agent, or Firm*—D. Peter Hochberg; Sean Mellino; Katherine R. Vieyra

(57) **CLAIM**

The ornamental design for a table and bench unit, as shown and described.

**DESCRIPTION**

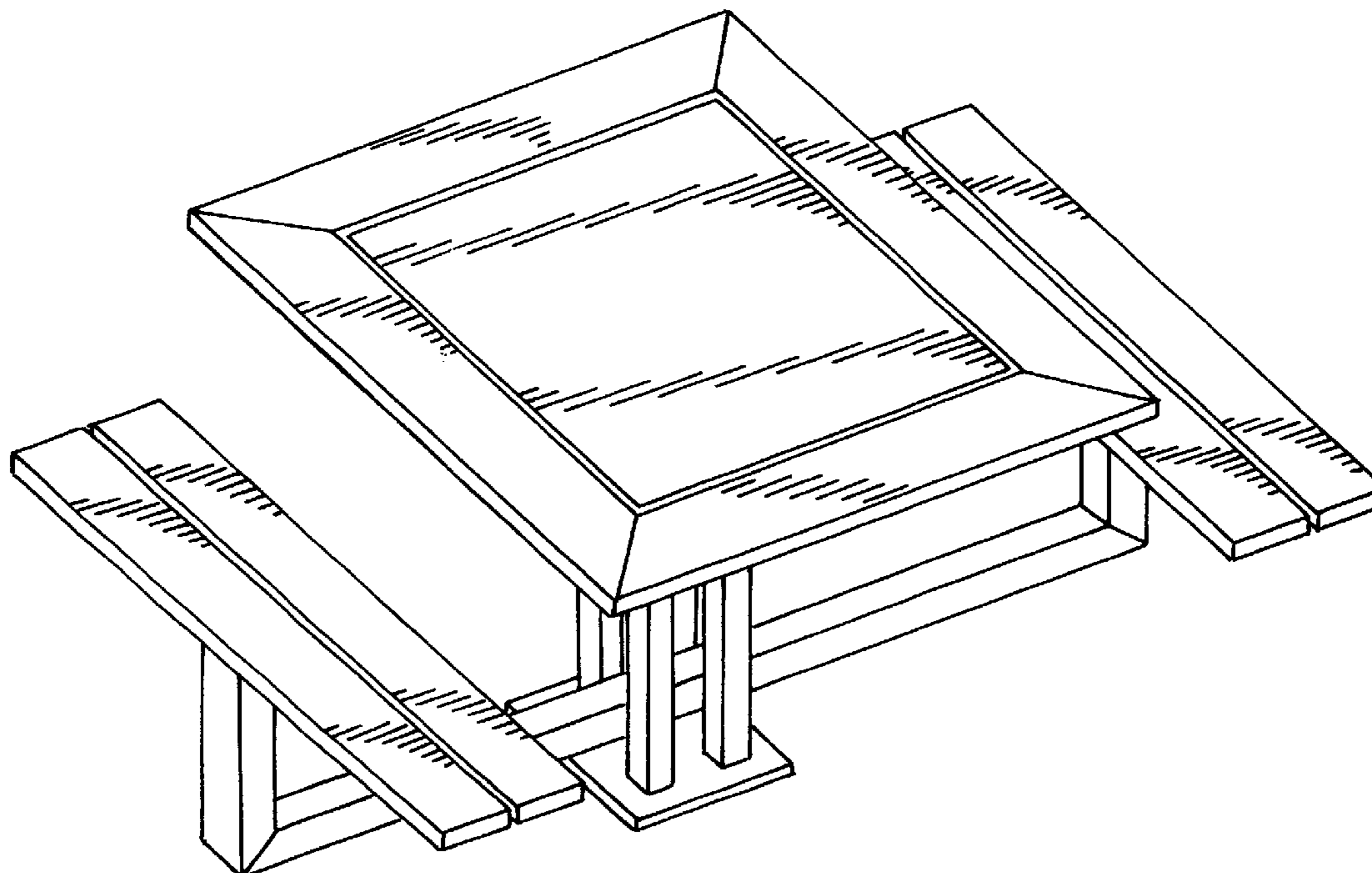
FIG. 1 is a perspective view of the table and bench unit according to the invention;

FIG. 2 is a top plan view of the table and bench unit as shown in FIG. 1;

FIG. 3 is a side elevational view of the of the table and bench unit as shown in FIG. 1, the left and right sides of the design being identical; and,

FIG. 4 is an end view of the table and bench unit as shown in FIG. 1, the front and rear ends of the design being identical.

**1 Claim, 3 Drawing Sheets**



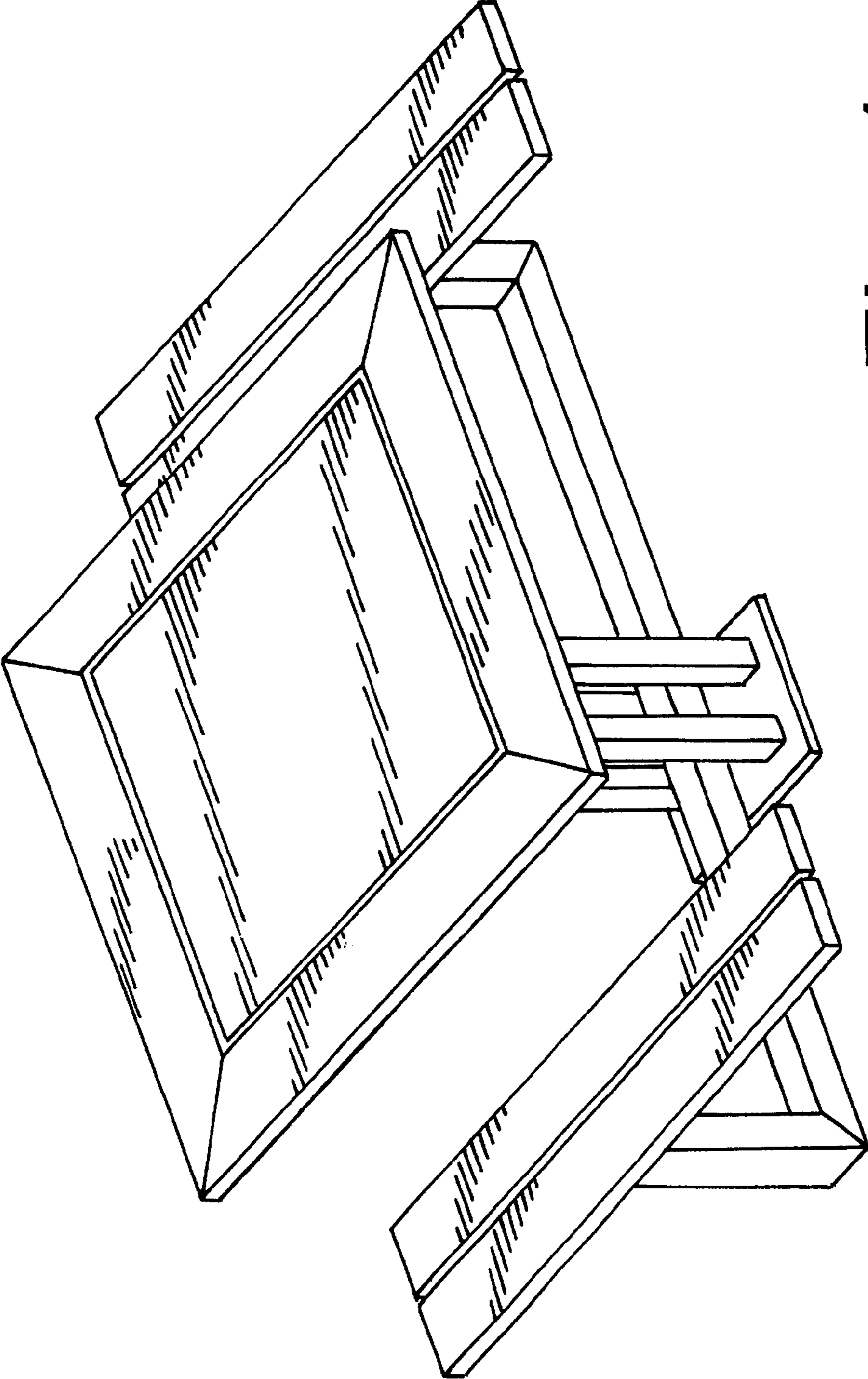


Fig. 1

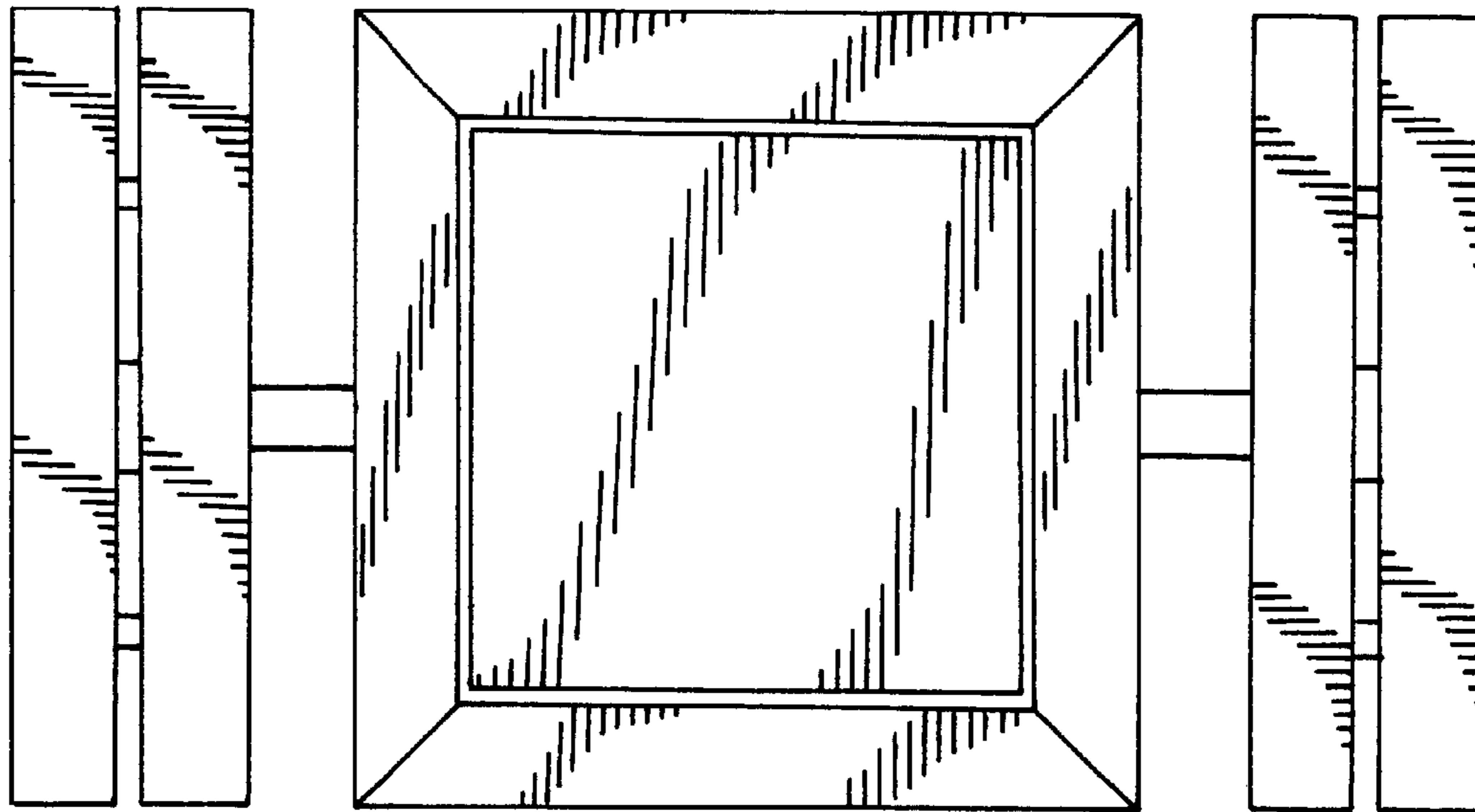


Fig. 2

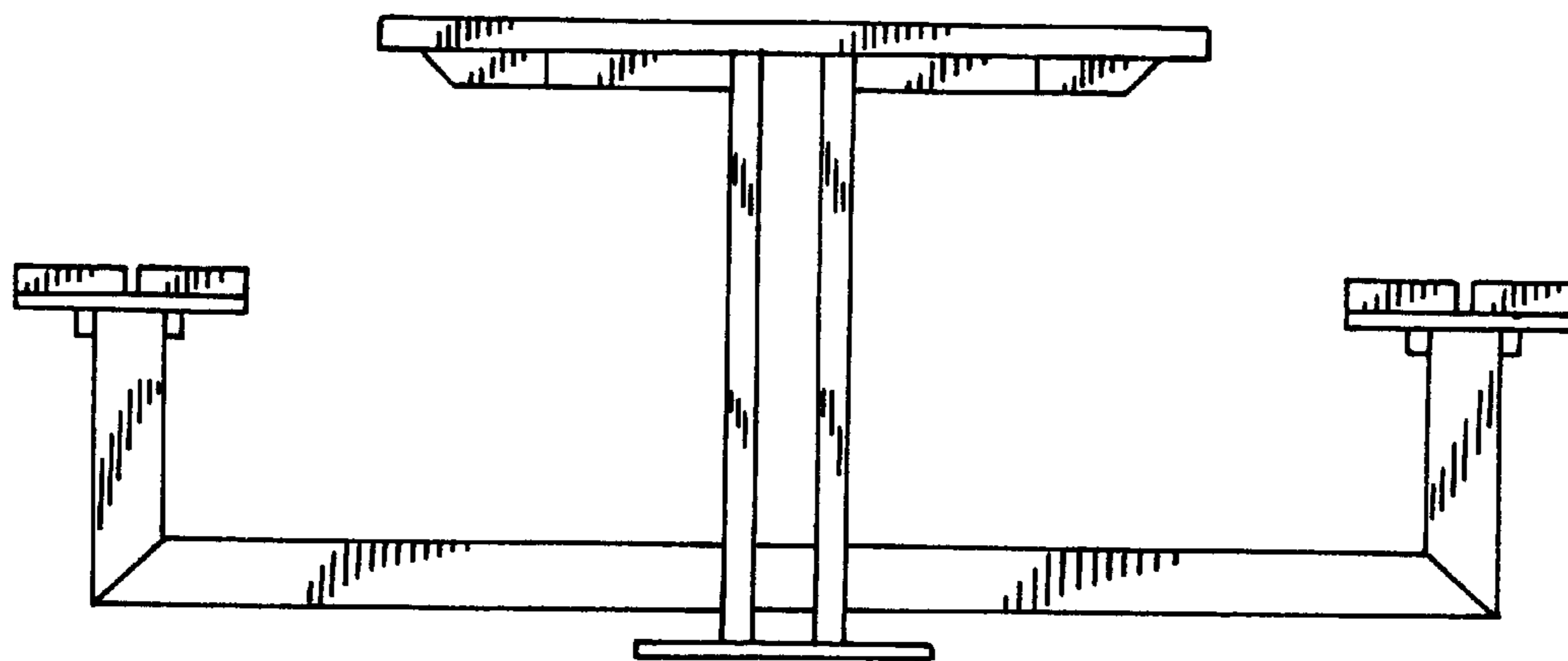


Fig. 3

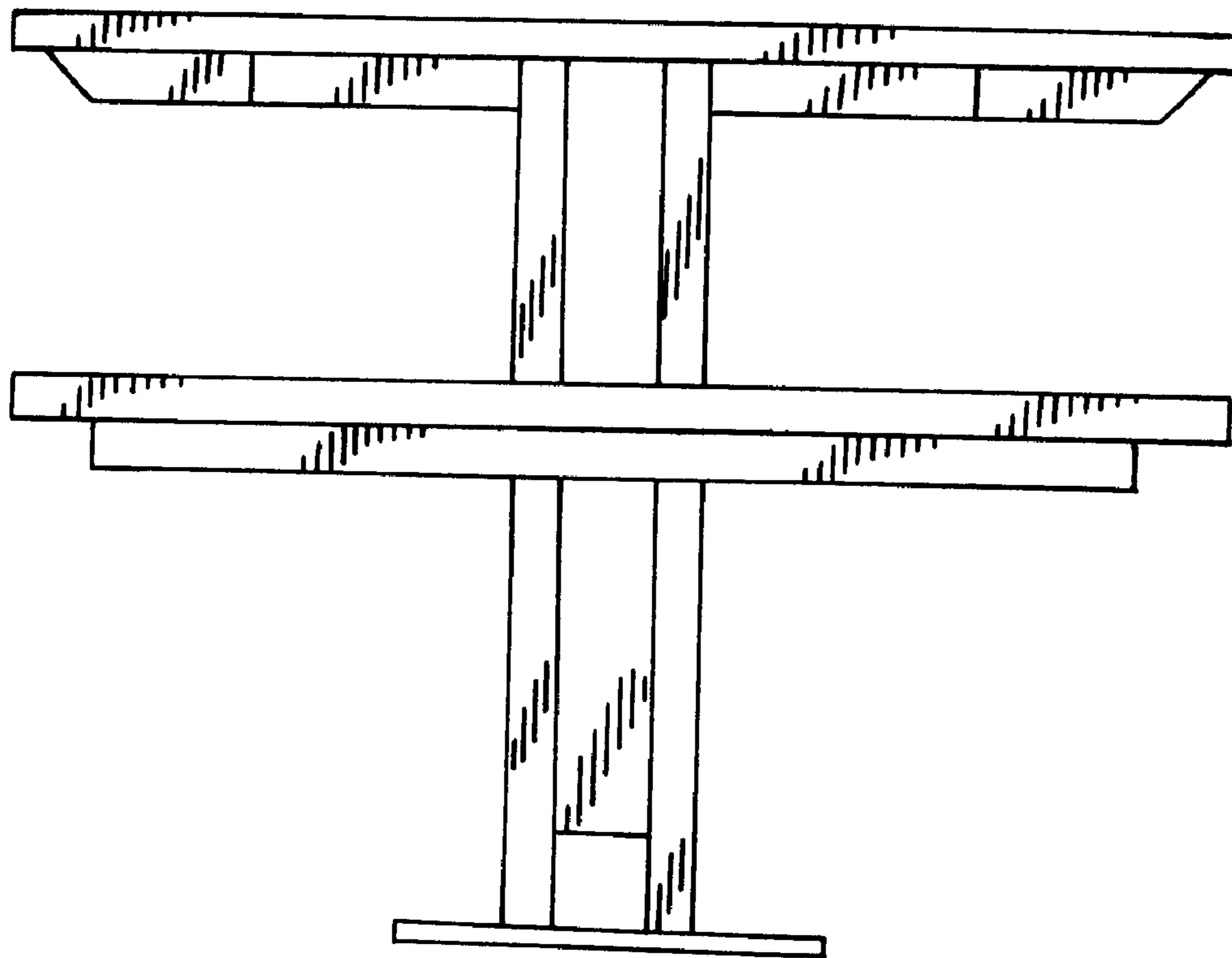


Fig. 4