

US00D497261S1

(12) **United States Design Patent**
Epp et al.

(10) **Patent No.:** **US D497,261 S**
(45) **Date of Patent:** **** Oct. 19, 2004**

(54) **CHAIR**

(76) Inventors: **Paul Epp**, 205 Highfield Road, Toronto, Ontario (CA), M4L 2T9; **Mara Messenger**, 72 Kings Crescent, Ajax, Ontario (CA), L1S 2M5

(**) Term: **14 Years**

(21) Appl. No.: **29/203,901**

(22) Filed: **Apr. 22, 2004**

(51) **LOC (7) Cl.** **06-01**

(52) **U.S. Cl.** **D6/336; D6/338; D6/339**

(58) **Field of Search** D6/334-336, 338, D6/339, 341, 360, 365, 366, 367, 368, 374, 376, 379, 491, 495, 496, 498, 499, 500-502; 297/135, 145, 148-150, 160-162, 170, 173, 174 R, 411.2, 411.27, 411.31, 411.36, 411.37, 411.38, 391, 396, 406, 407, 410

(56) **References Cited**

U.S. PATENT DOCUMENTS

1,659,572 A * 2/1928 Klemm 297/160
4,277,102 A * 7/1981 Aaras et al. 297/411.36

5,029,941 A * 7/1991 Twisselmann 297/411.38
D332,703 S * 1/1993 Gulliver D6/338
D373,030 S * 8/1996 Chen D6/341
5,653,499 A * 8/1997 Goodall 297/170
5,816,649 A * 10/1998 Shields 297/162
5,893,607 A * 4/1999 Trimnell 297/170
D425,321 S * 5/2000 Tholkes et al. D6/338
D439,066 S * 3/2001 Hannes et al. D6/366
6,460,930 B2 * 10/2002 Thornton 297/170
6,644,748 B2 * 11/2003 Tholkes et al. 297/135

* cited by examiner

Primary Examiner—Mimosa De

(74) *Attorney, Agent, or Firm*—Sim & McBurney; Geoffrey B. C. deKleine

(57) **CLAIM**

The ornamental design for a chair, as shown.

DESCRIPTION

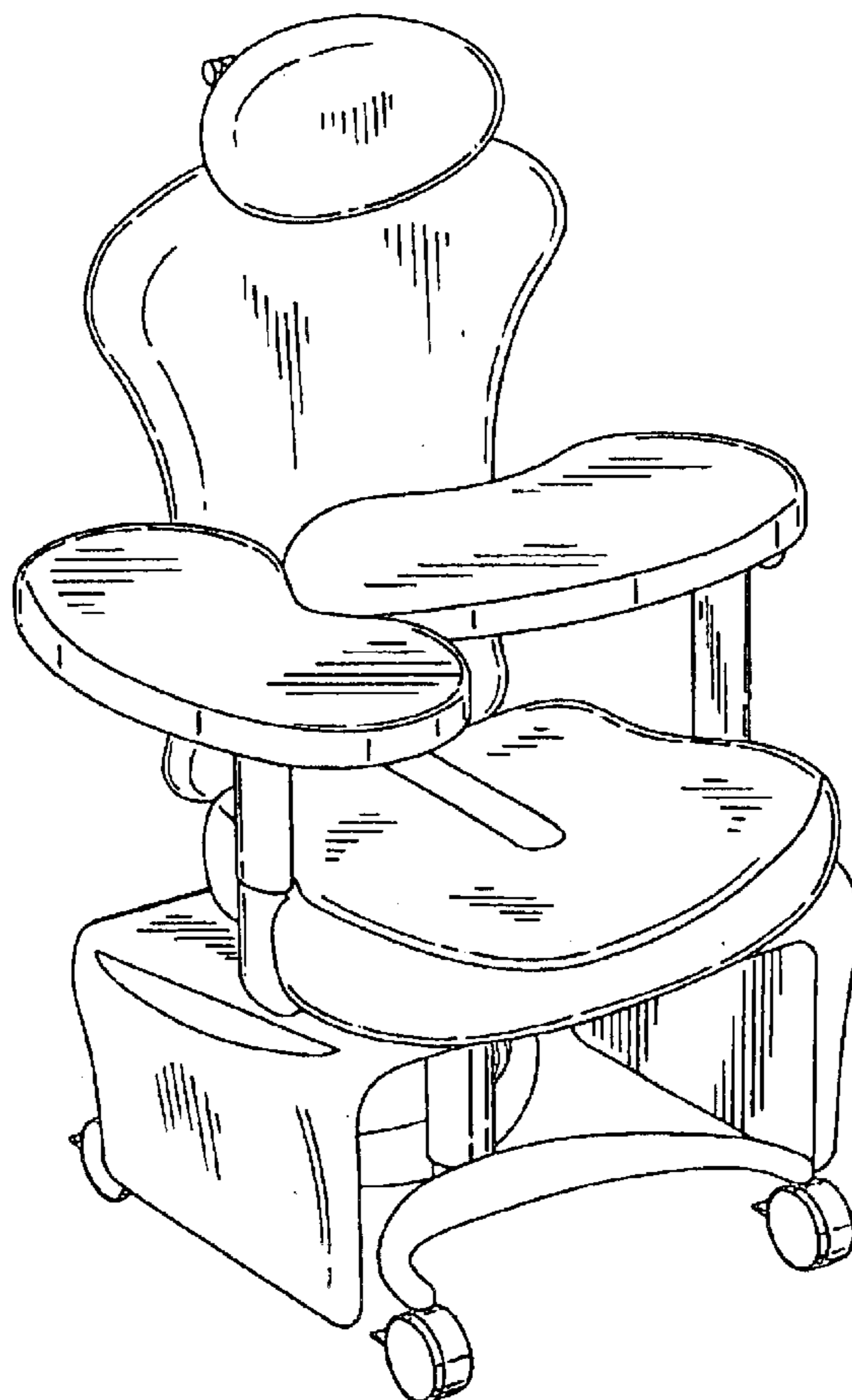
FIG. 1 is a perspective view of a chair showing of my design:

FIG. 2 is a front view thereof;

FIG. 3 is a side view thereof; and,

FIG. 4 is a top view thereof.

1 Claim, 4 Drawing Sheets



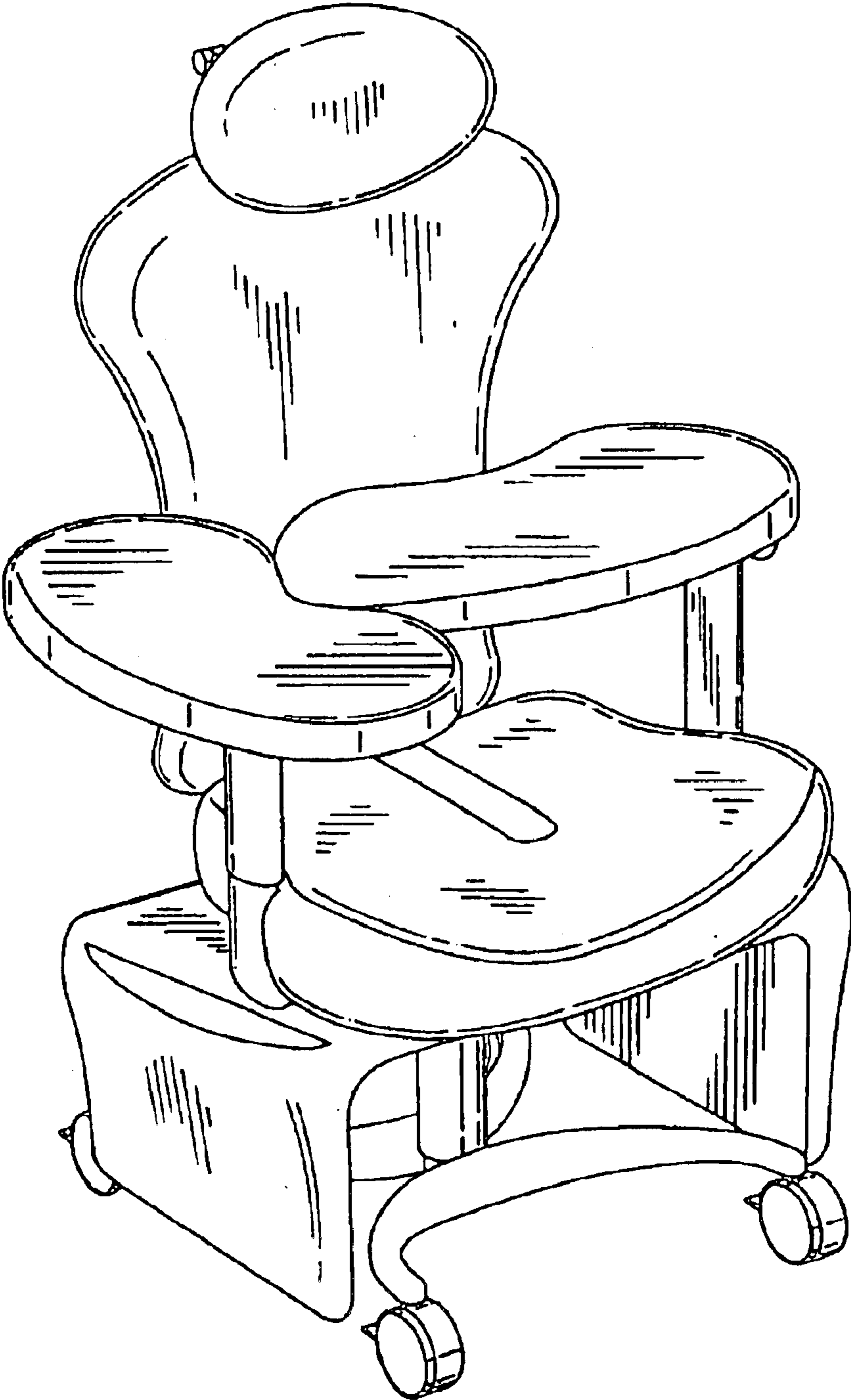


FIG. 1.

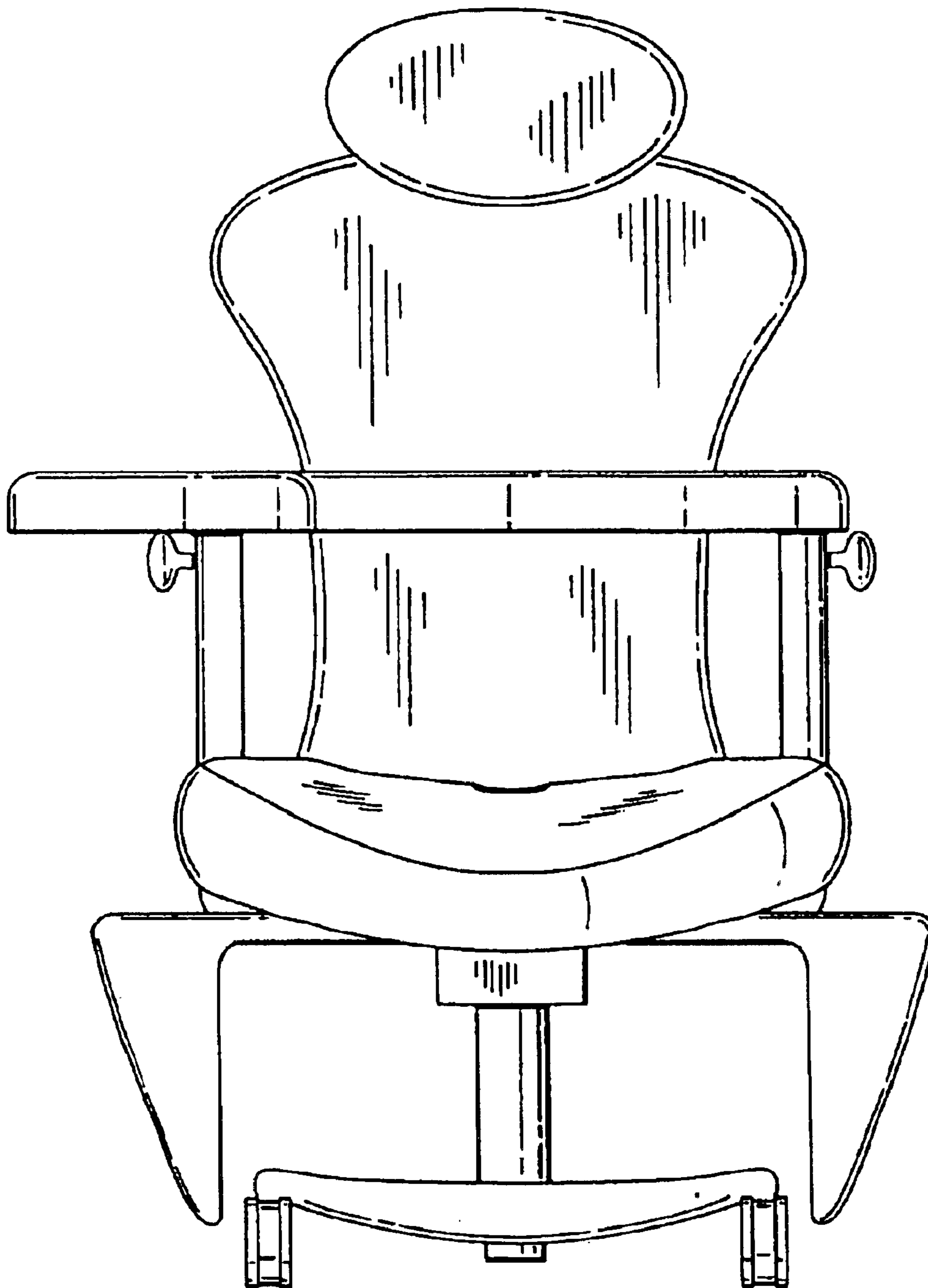


FIG. 2.

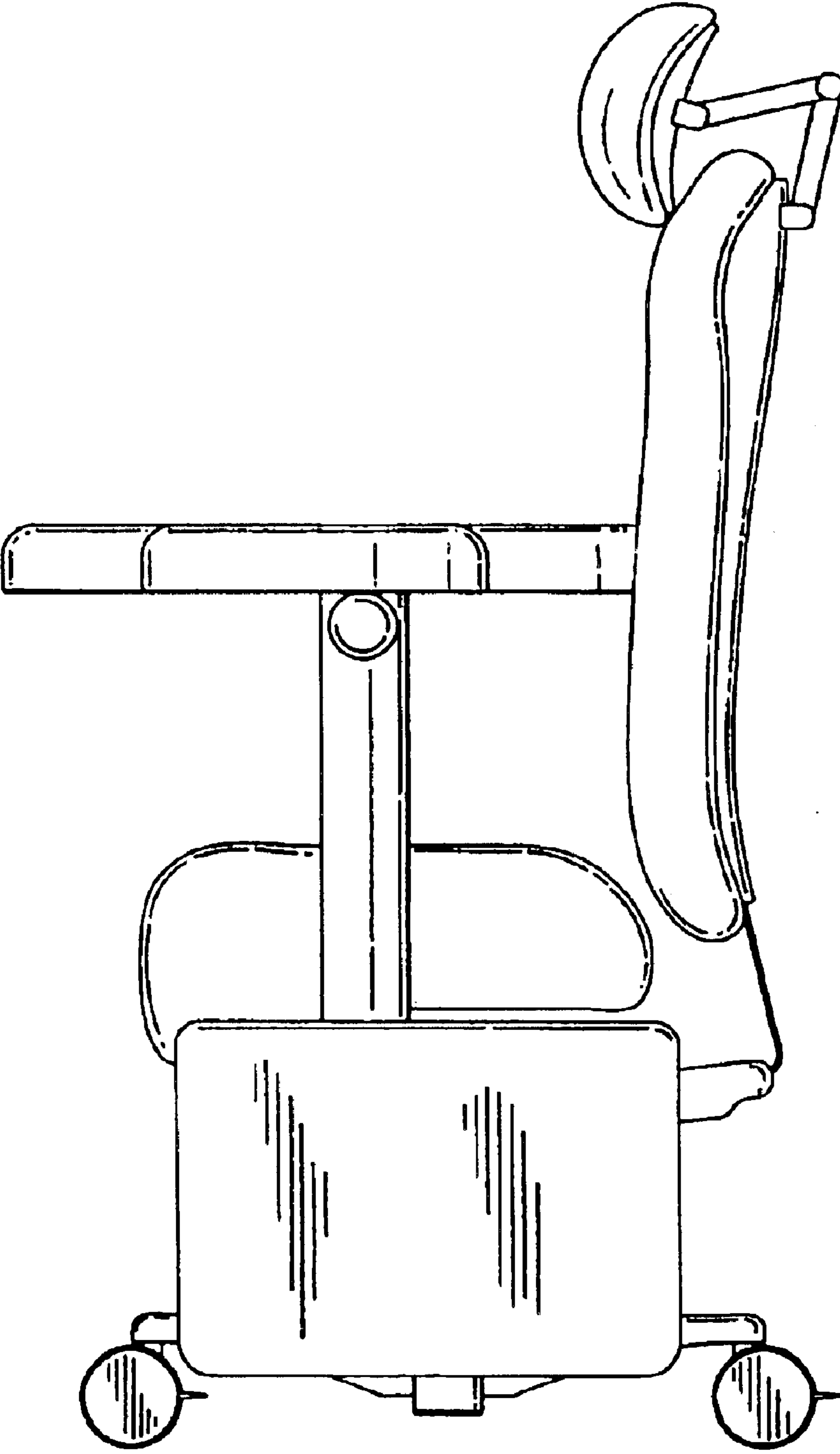


FIG. 3.

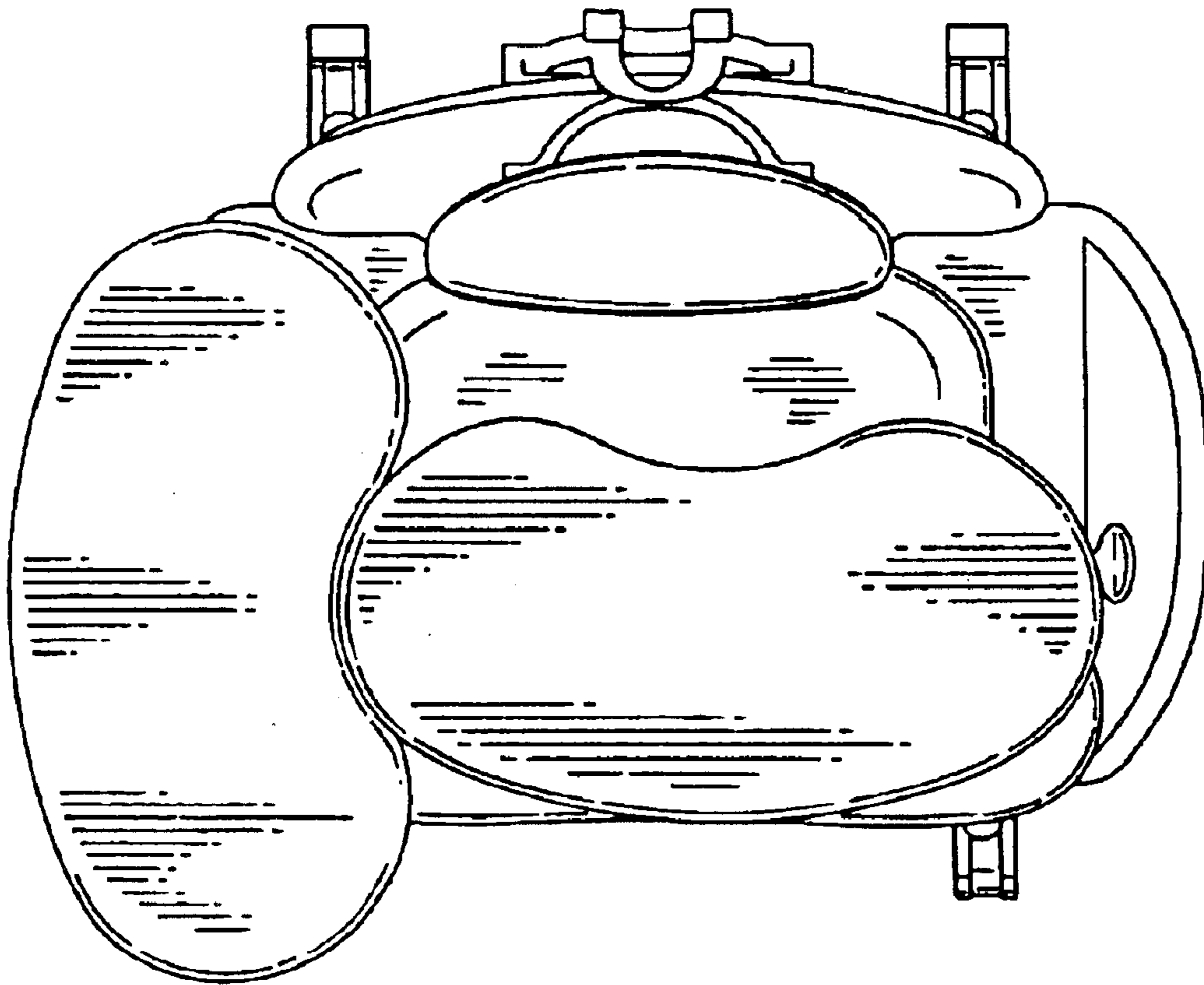


FIG. 4.