

US00D497255S1

(12) **United States Design Patent**
Scola

(10) **Patent No.:** **US D497,255 S**

(45) **Date of Patent:** **** Oct. 19, 2004**

(54) **SHOPPING BAG CARRIER**

(76) **Inventor:** **Vito A. Scola**, 137 Apple Gate Rd.,
Cranston, RI (US) 02920

(**) **Term:** **14 Years**

(21) **Appl. No.:** **29/198,528**

(22) **Filed:** **Jan. 31, 2004**

(51) **LOC (7) Cl.** **03-99**

(52) **U.S. Cl.** **D3/328**

(58) **Field of Search** D3/318, 328; D8/300,
D8/315; D9/434, 455; 16/406, 411; 294/137,
153, 165, 170, 171; 383/13, 907

(56) **References Cited**

U.S. PATENT DOCUMENTS

2,749,172	A	*	6/1956	Jacobs	294/170
4,004,722	A		1/1977	Olivier		
4,112,541	A	*	9/1978	Tetradis	383/13
D268,815	S		5/1983	Schwalbach		
D269,253	S	*	6/1983	Gagnon	D9/434
D400,785	S	*	11/1998	Randall	D9/434
5,951,080	A	*	9/1999	Wessner	294/153
D423,348	S	*	4/2000	Le Roux	D3/328
D480,645	S		10/2003	Putnam		

FOREIGN PATENT DOCUMENTS

GB 2 230 940 A 11/1990

* cited by examiner

Primary Examiner—Louis S. Zarfes

Assistant Examiner—Monica A. Weingart

(74) *Attorney, Agent, or Firm*—Salter & Michaelson

(57) **CLAIM**

The ornamental design for a shopping bag carrier, as shown and described.

DESCRIPTION

FIG. 1 is a front perspective view of a shopping bag carrier showing my new design showing the carrier in its use mode; FIG. 2 is a rear perspective view of a shopping bag carrier showing my new design;

FIG. 3 is a rear elevational view thereof;

FIG. 4 is a front elevational view thereof;

FIG. 5 is a left side elevational view thereof;

FIG. 6 is a right side elevational view thereof.

FIG. 7 is a top plan view thereof;

FIG. 8 is a bottom plan view thereof;

FIG. 9 is a rear perspective view thereof showing the carrier in its closed position; and,

FIG. 10 is a sectional view taken along the lines 10—10 in FIG. 9.

The portions shown in broken lines in FIG. 1 are for information only and form no part of the claimed design.

1 Claim, 6 Drawing Sheets

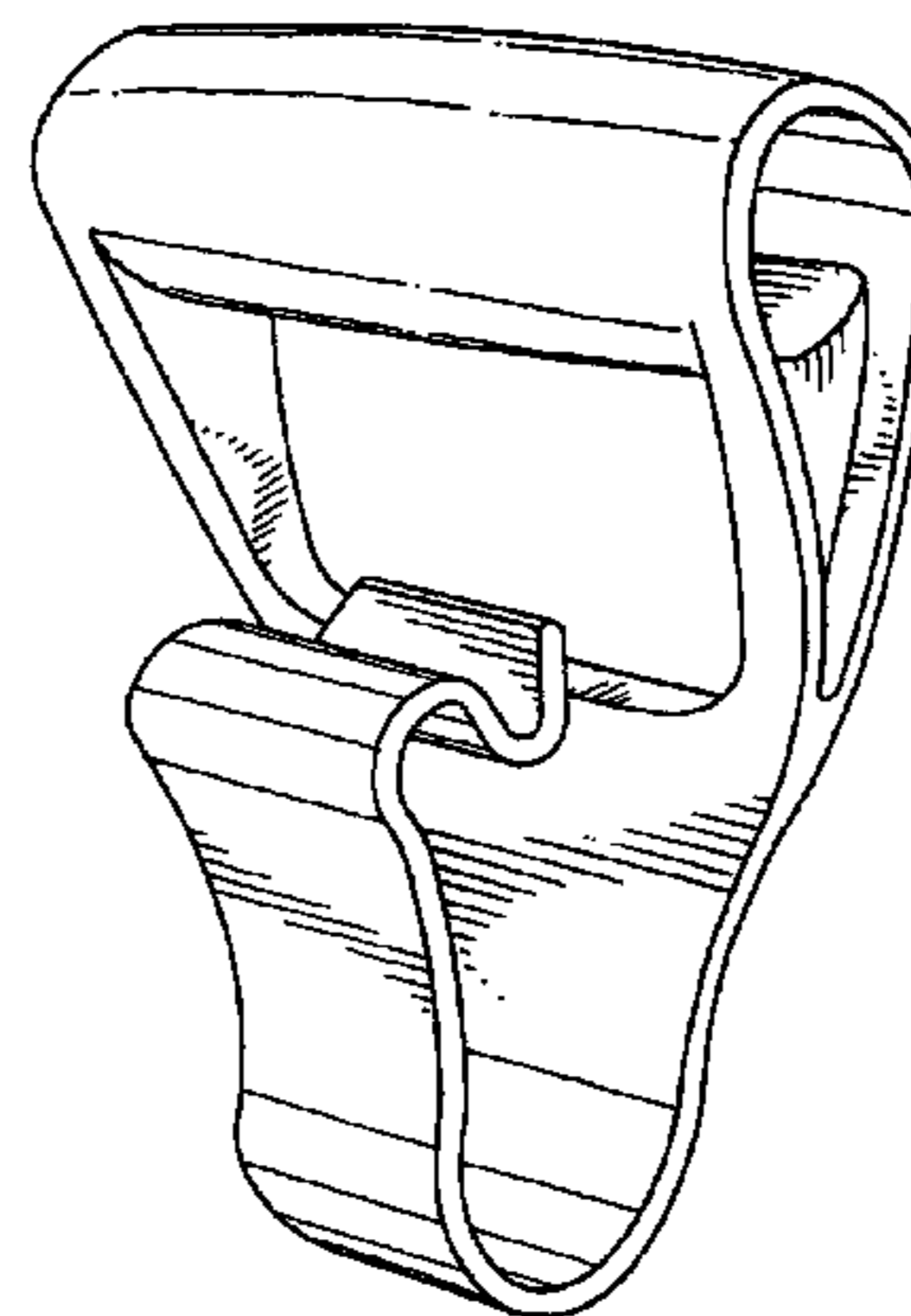
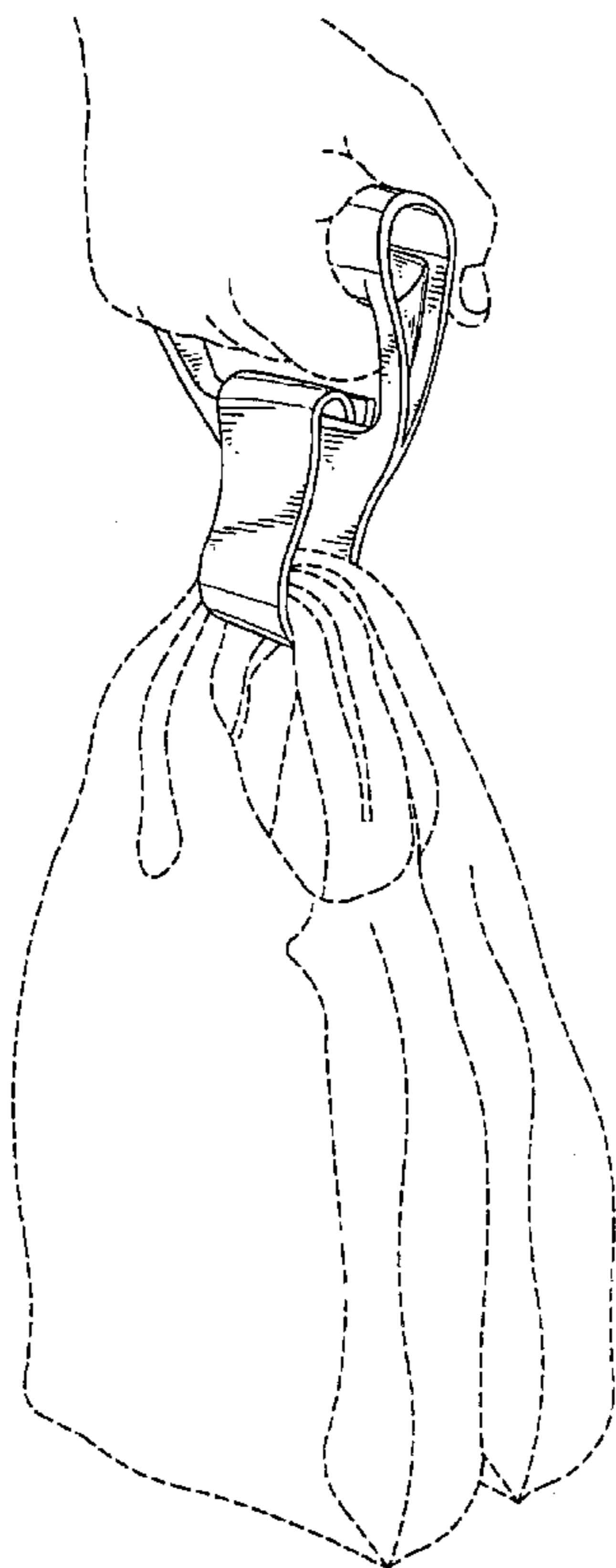
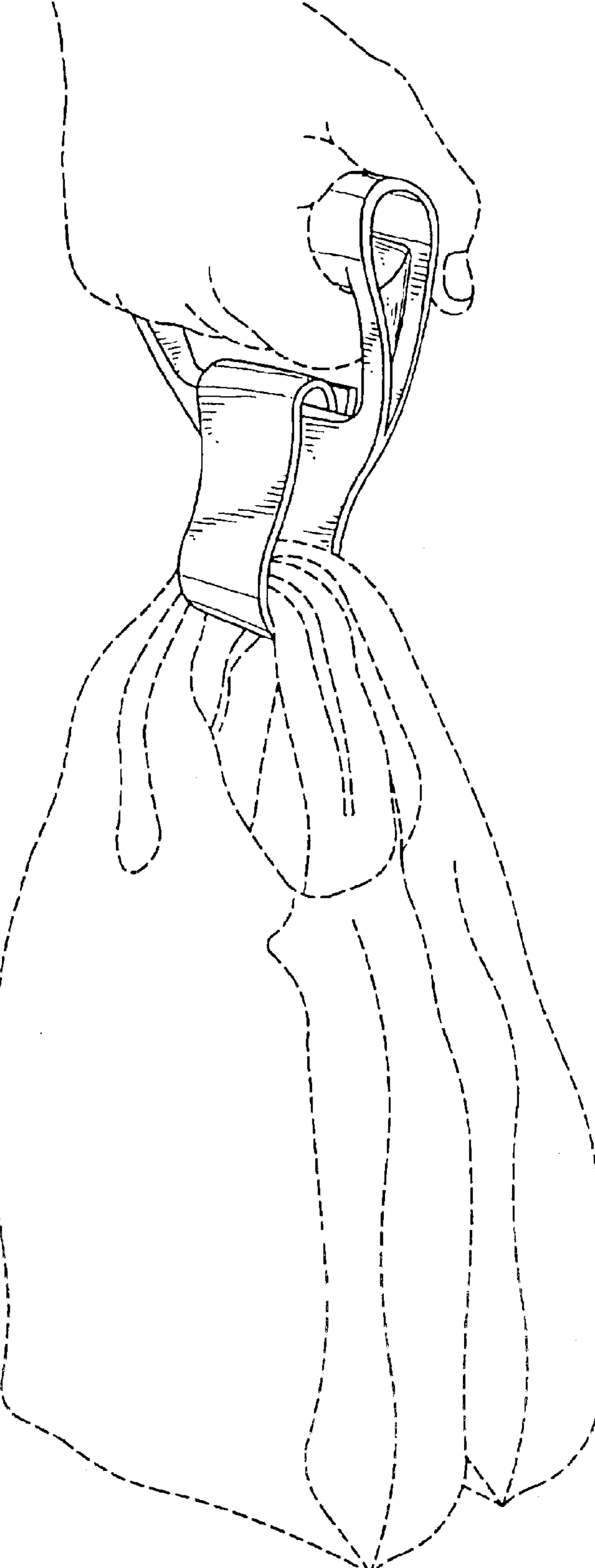


FIG. 1



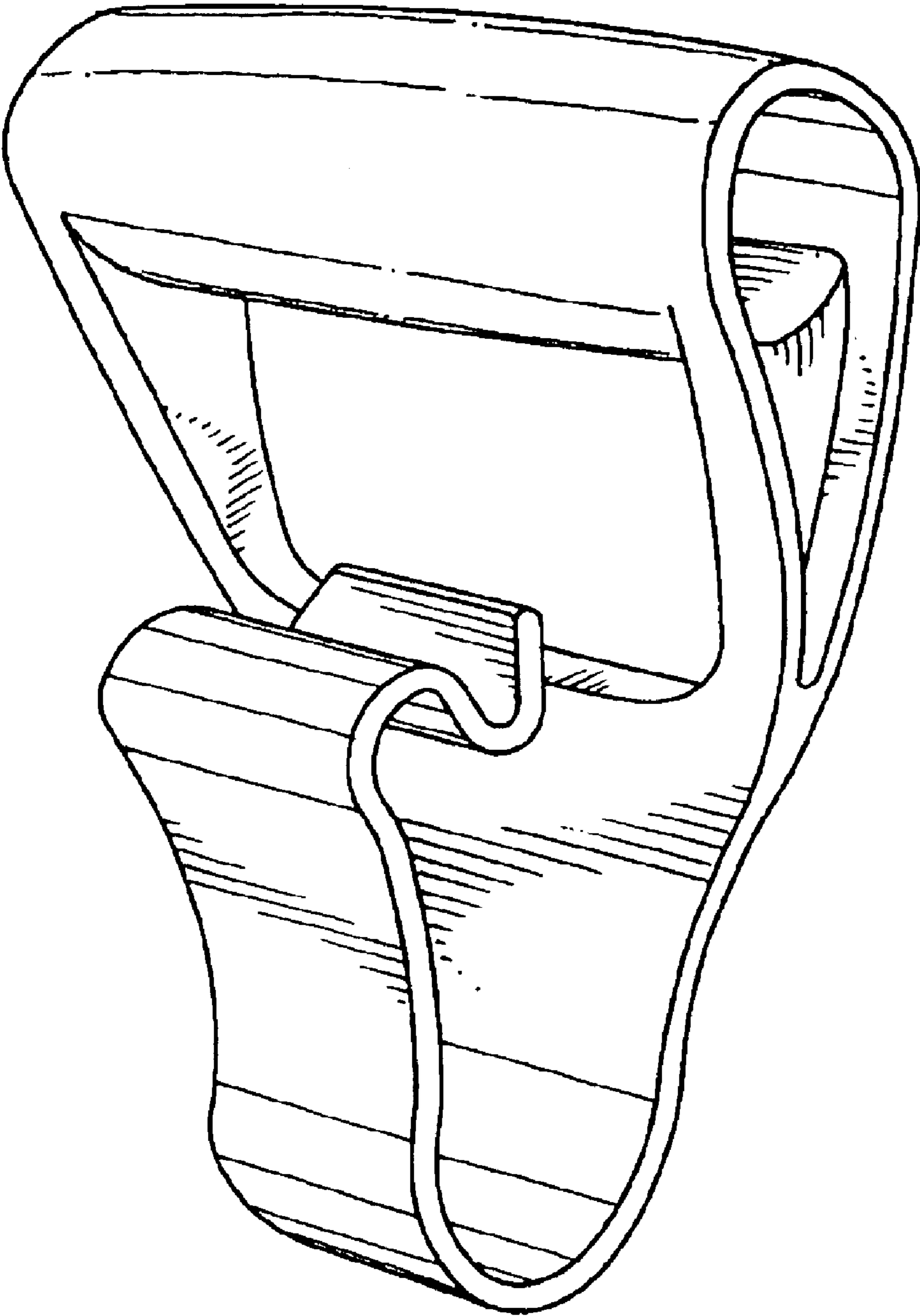


FIG. 2

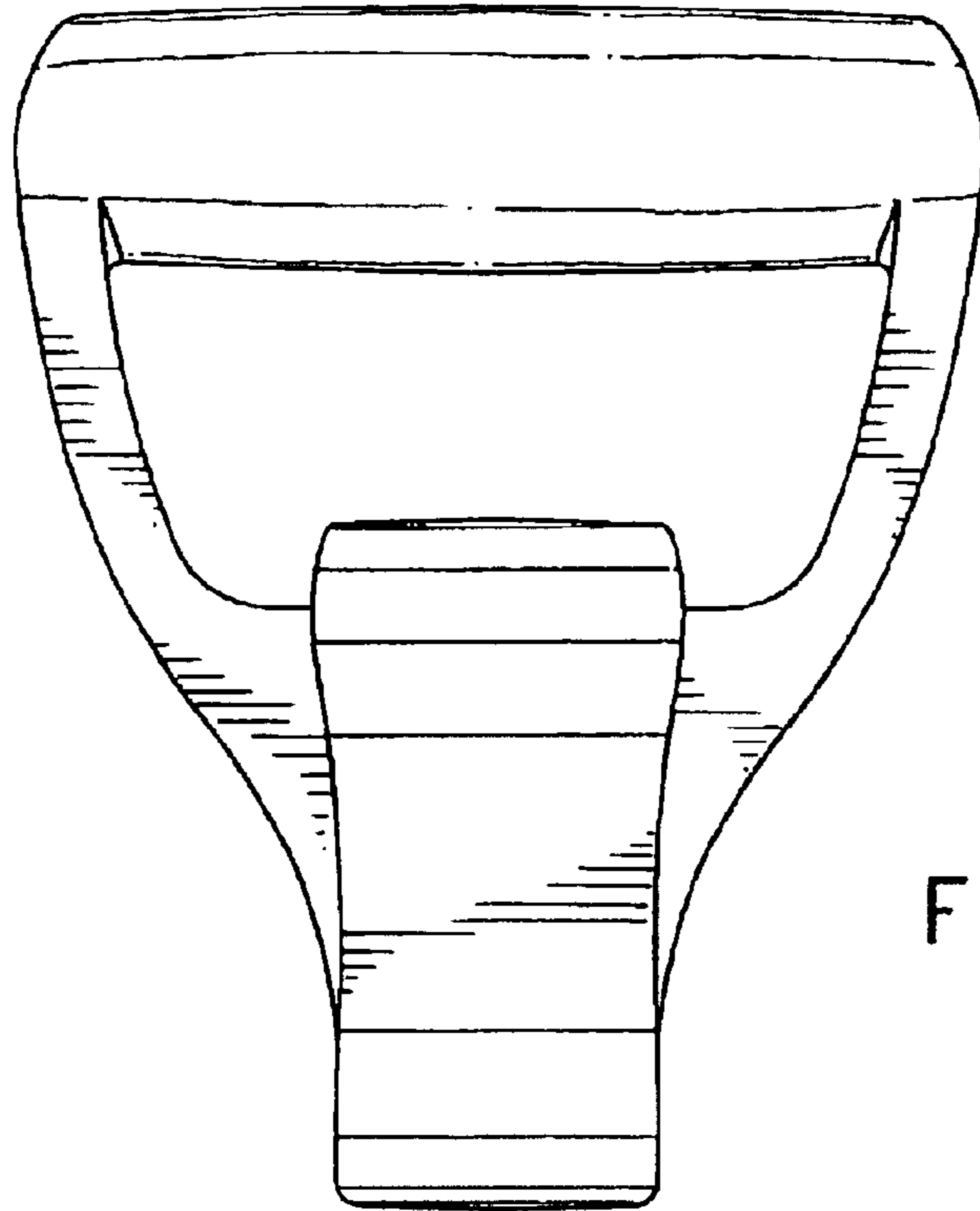


FIG. 3

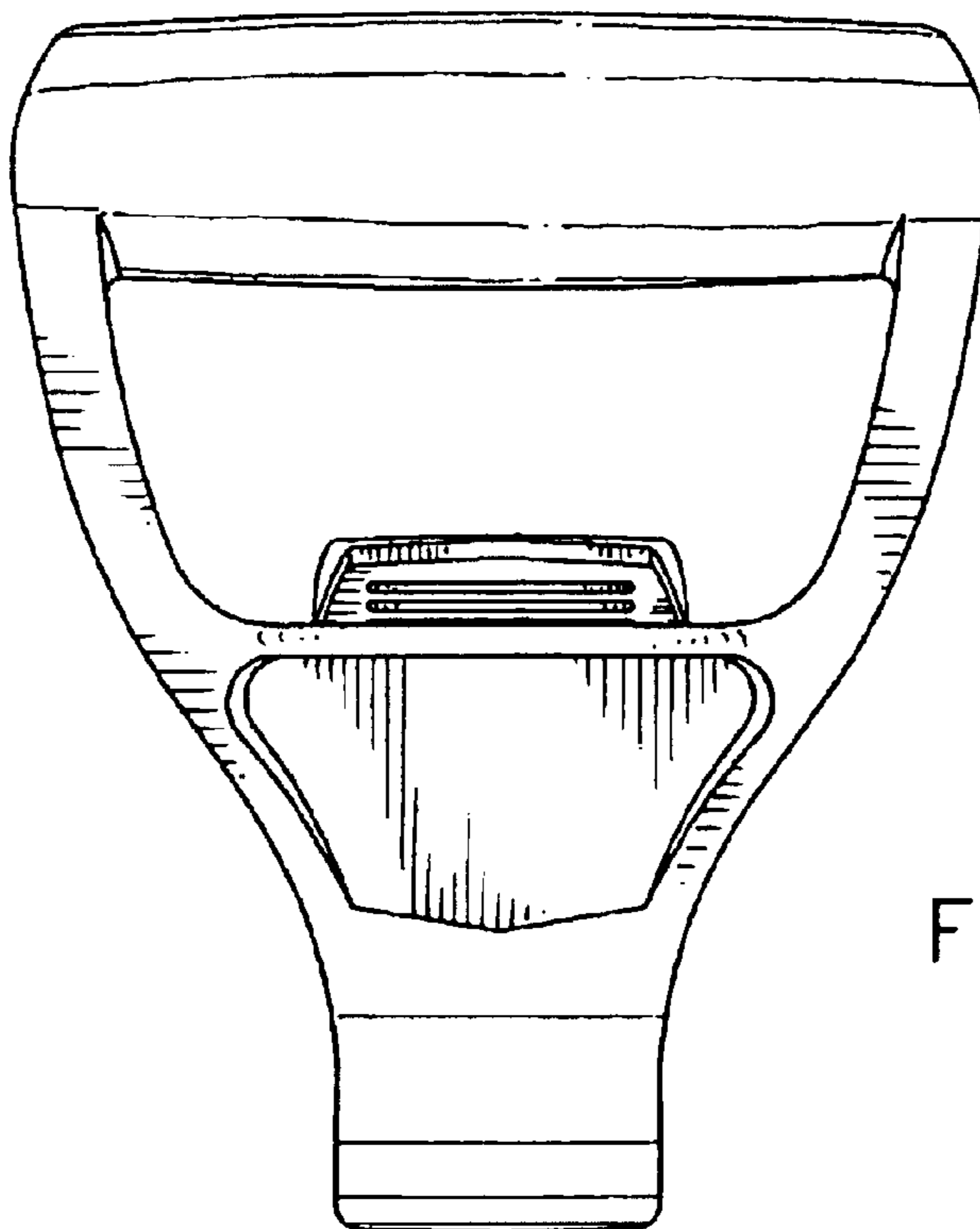


FIG. 4

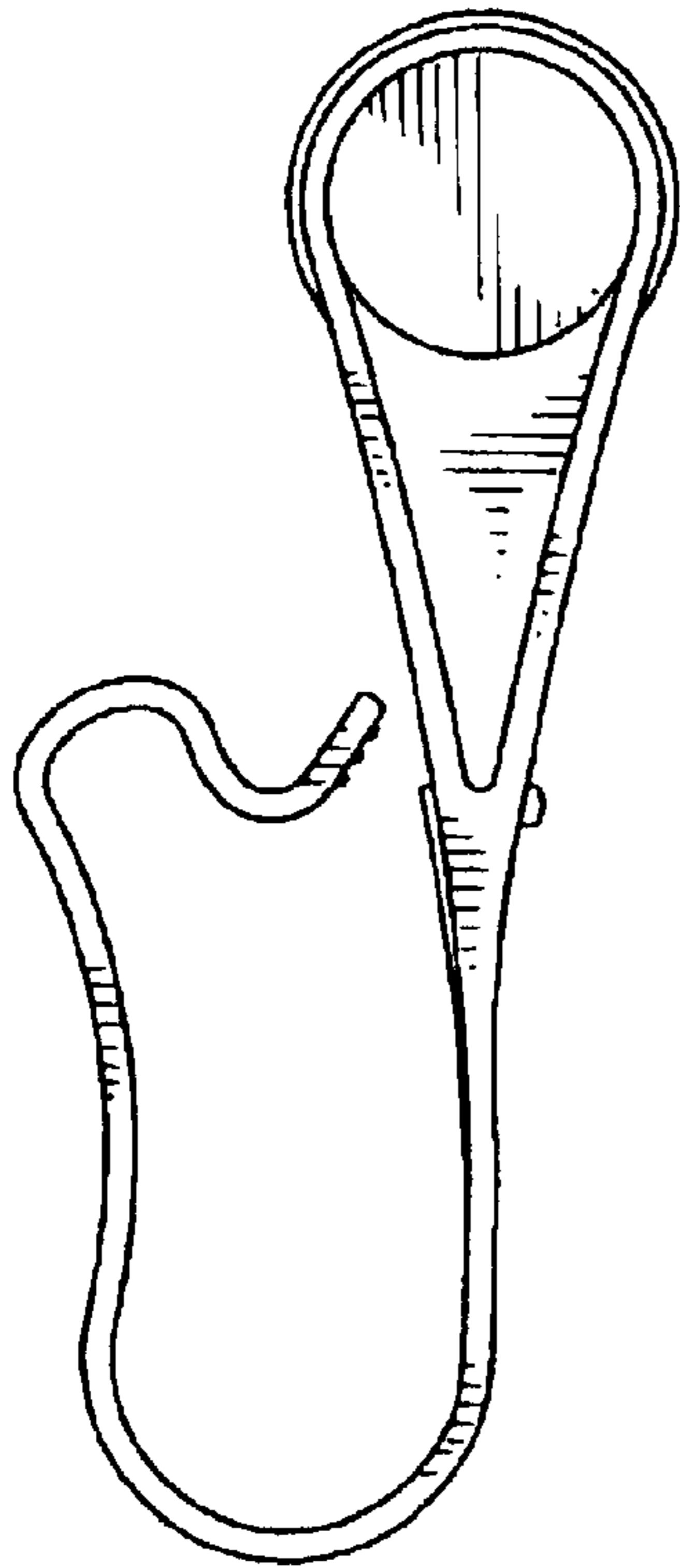


FIG. 5

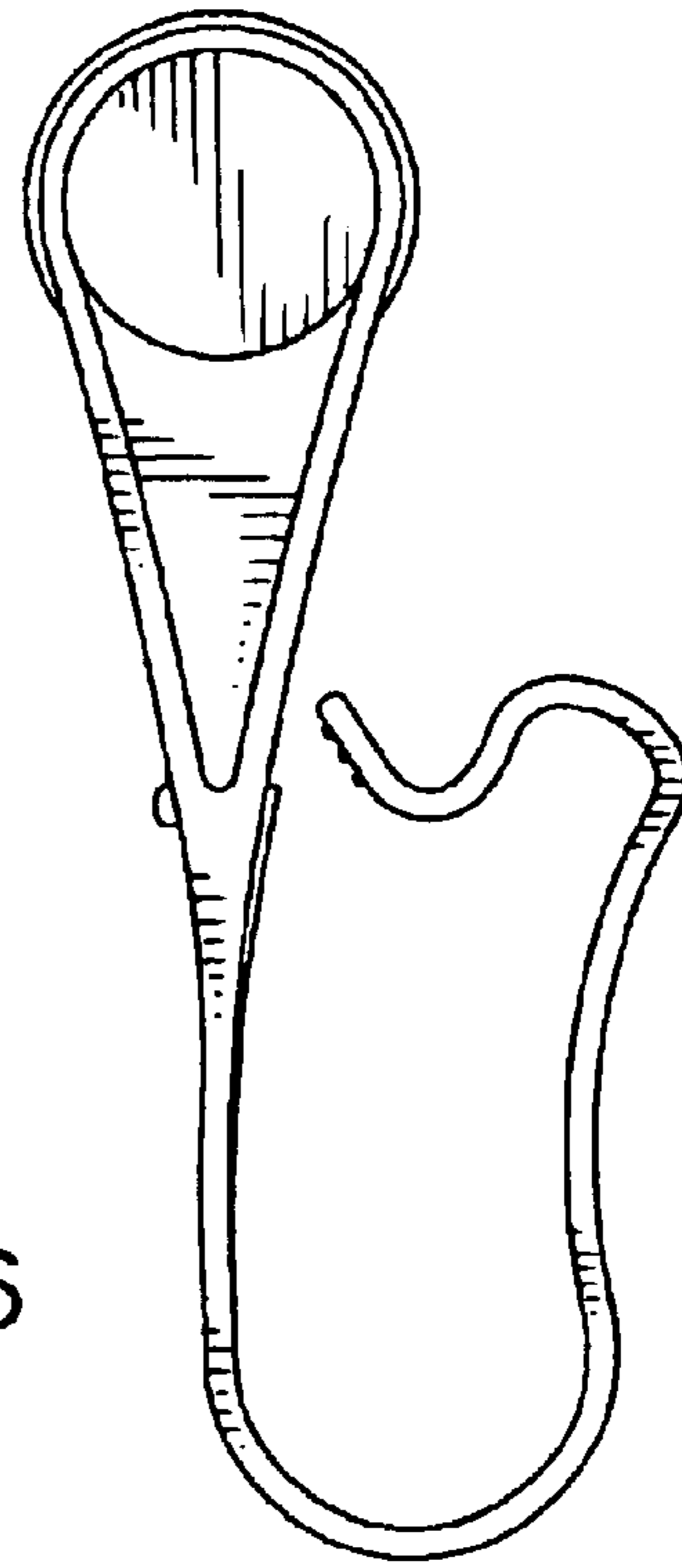


FIG. 6

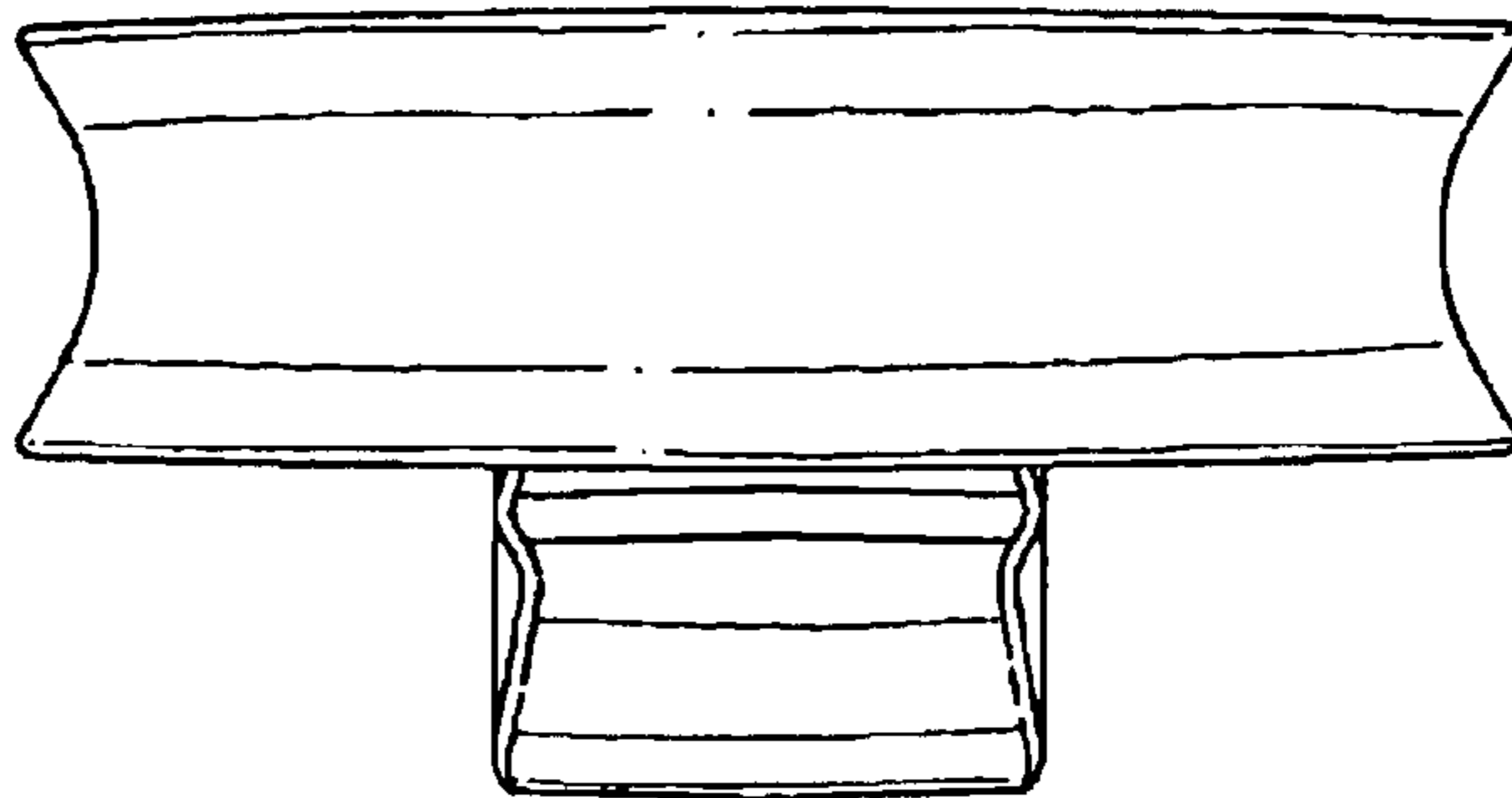


FIG. 7

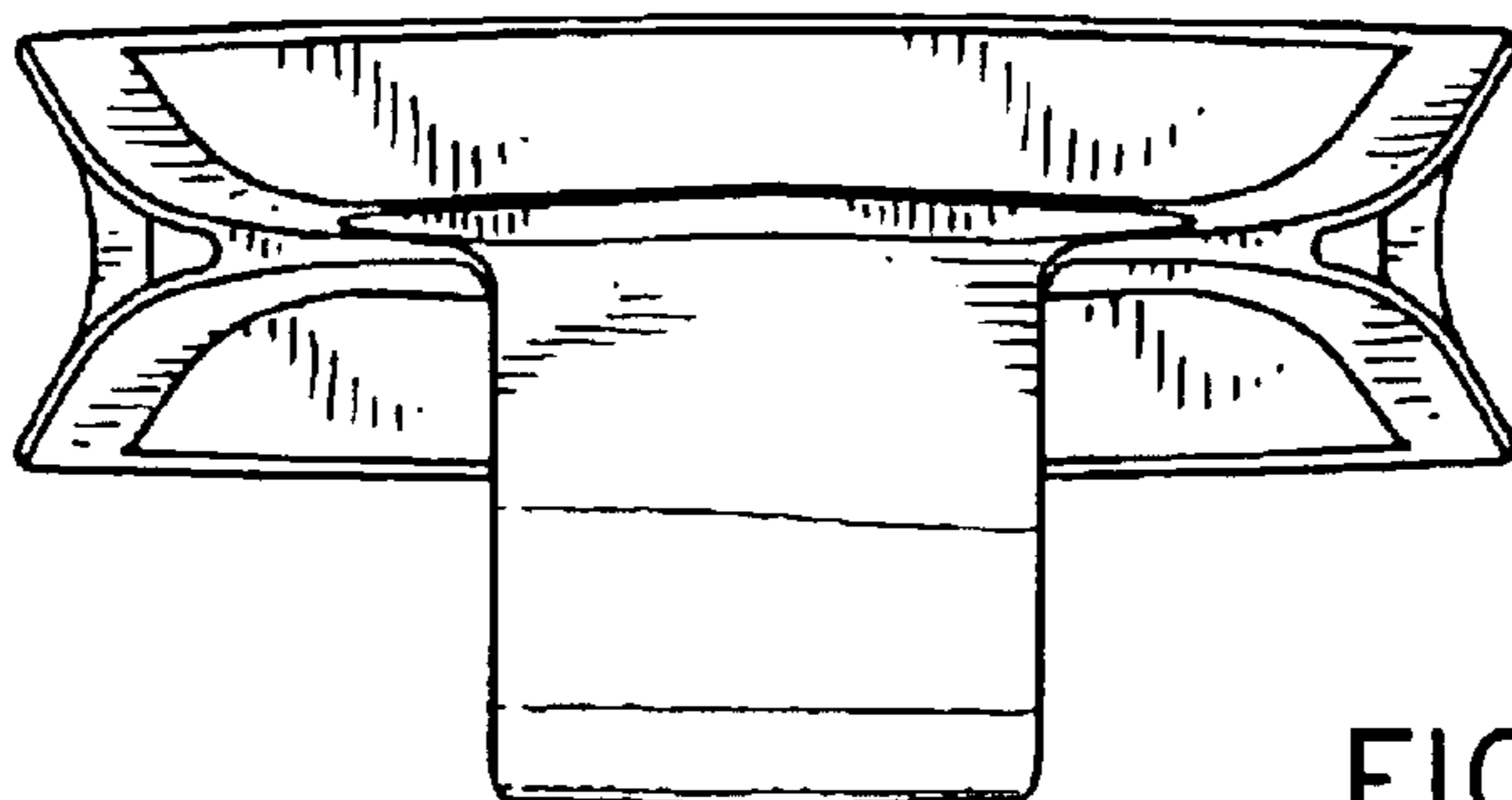


FIG. 8

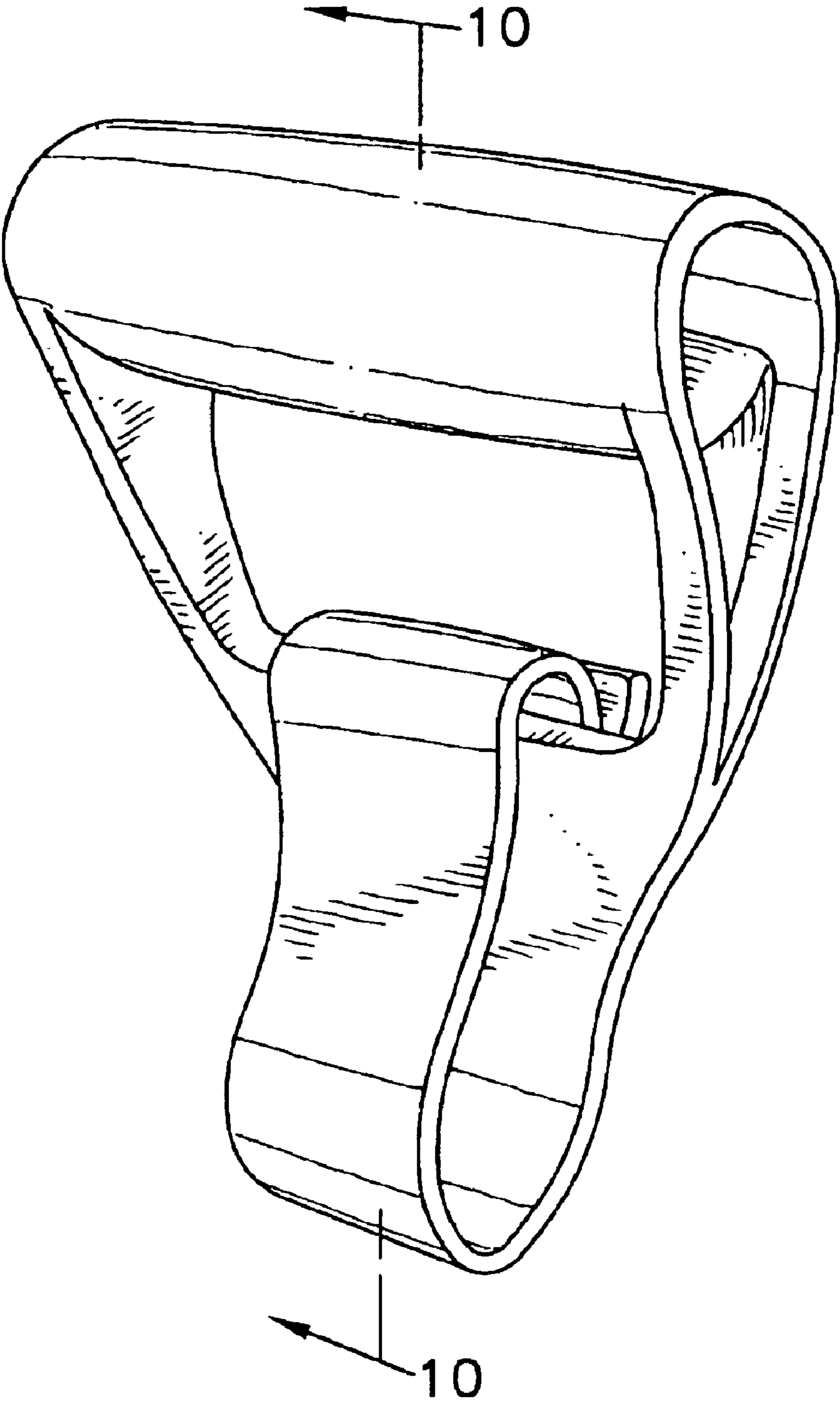


FIG. 9

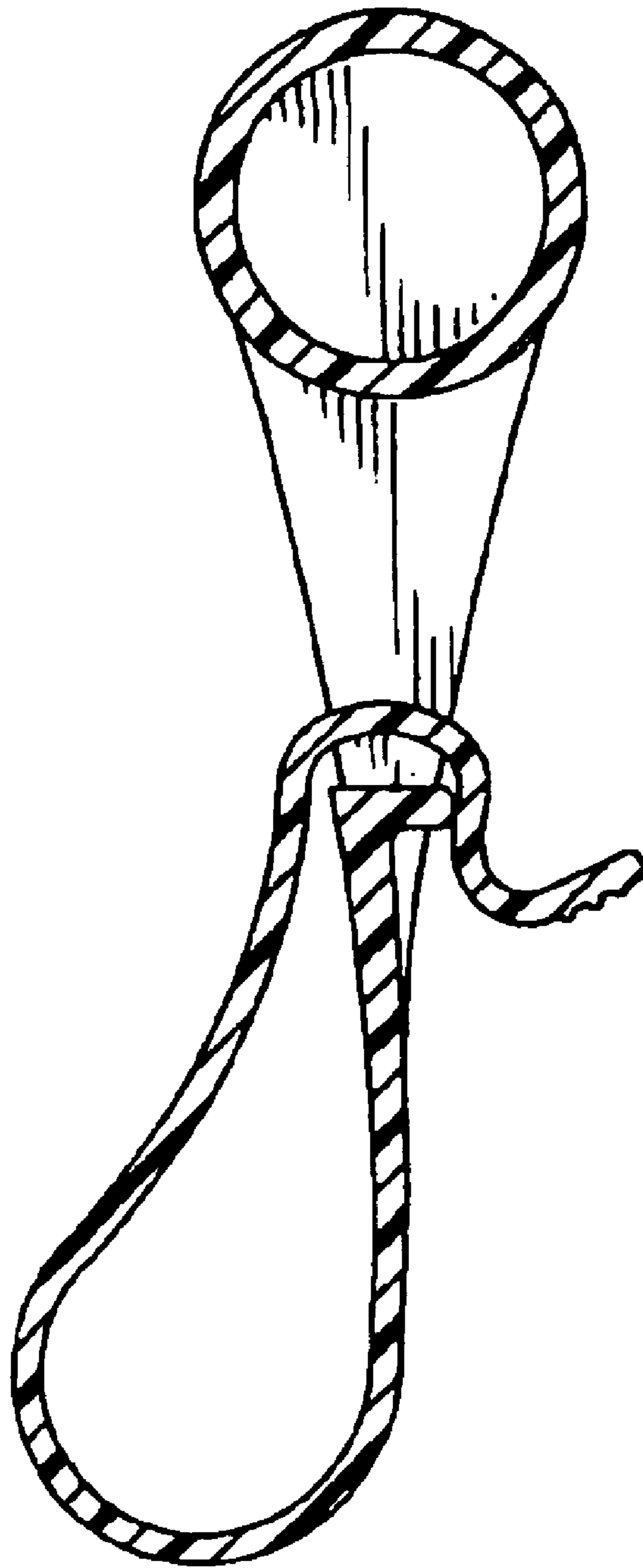


FIG. 10