

US00D497254S1

(12) **United States Design Patent**
Koenig et al.

(10) **Patent No.:** **US D497,254 S**

(45) **Date of Patent:** **** Oct. 19, 2004**

(54) **INTEGRAL LUGGAGE AND TIE DOWN SET FOR A VEHICLE RACK**

5,096,107 A * 3/1992 VanSon 224/328
5,433,303 A * 7/1995 Chen 190/127 X
5,538,169 A * 7/1996 Moore 224/328

(75) Inventors: **Thomas L. Koenig**, Benicia, CA (US);
Margaret Mary Catherine Raible,
Benicia, CA (US)

* cited by examiner

Primary Examiner—Louis S. Zarfaz

Assistant Examiner—Monica A. Weingart

(73) Assignee: **Applied Sewing Resources**, Benecia,
CA (US)

(74) *Attorney, Agent, or Firm*—Bernhard Kreten, Esq.

(**) Term: **14 Years**

(57) **CLAIM**

(21) Appl. No.: **29/169,674**

The ornamental design for an integral luggage and tie down set for a vehicle rack, as shown and described.

(22) Filed: **Oct. 23, 2002**

DESCRIPTION

(51) **LOC (7) Cl.** **03-01**

FIG. 1 is a perspective view of an integral luggage and tie down set for a vehicle rack showing my new design.

(52) **U.S. Cl.** **D3/318**

FIG. 2 is a top view thereof.

(58) **Field of Search** D3/318, 279; 224/321,
224/324, 326, 328, 314, 318, 372; 190/18 A,
127; D12/406, 412

FIG. 3 is a front view, the rear being a mirror image thereof.

FIG. 4 is a bottom view thereof; and,

FIG. 5 is a side view, the opposite side being a mirror image thereof.

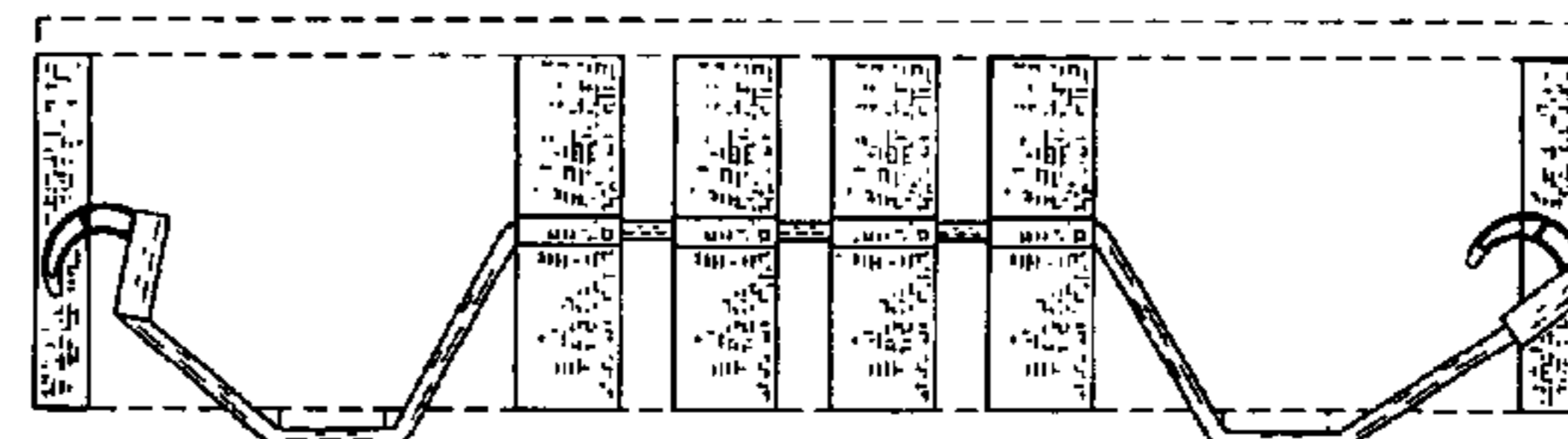
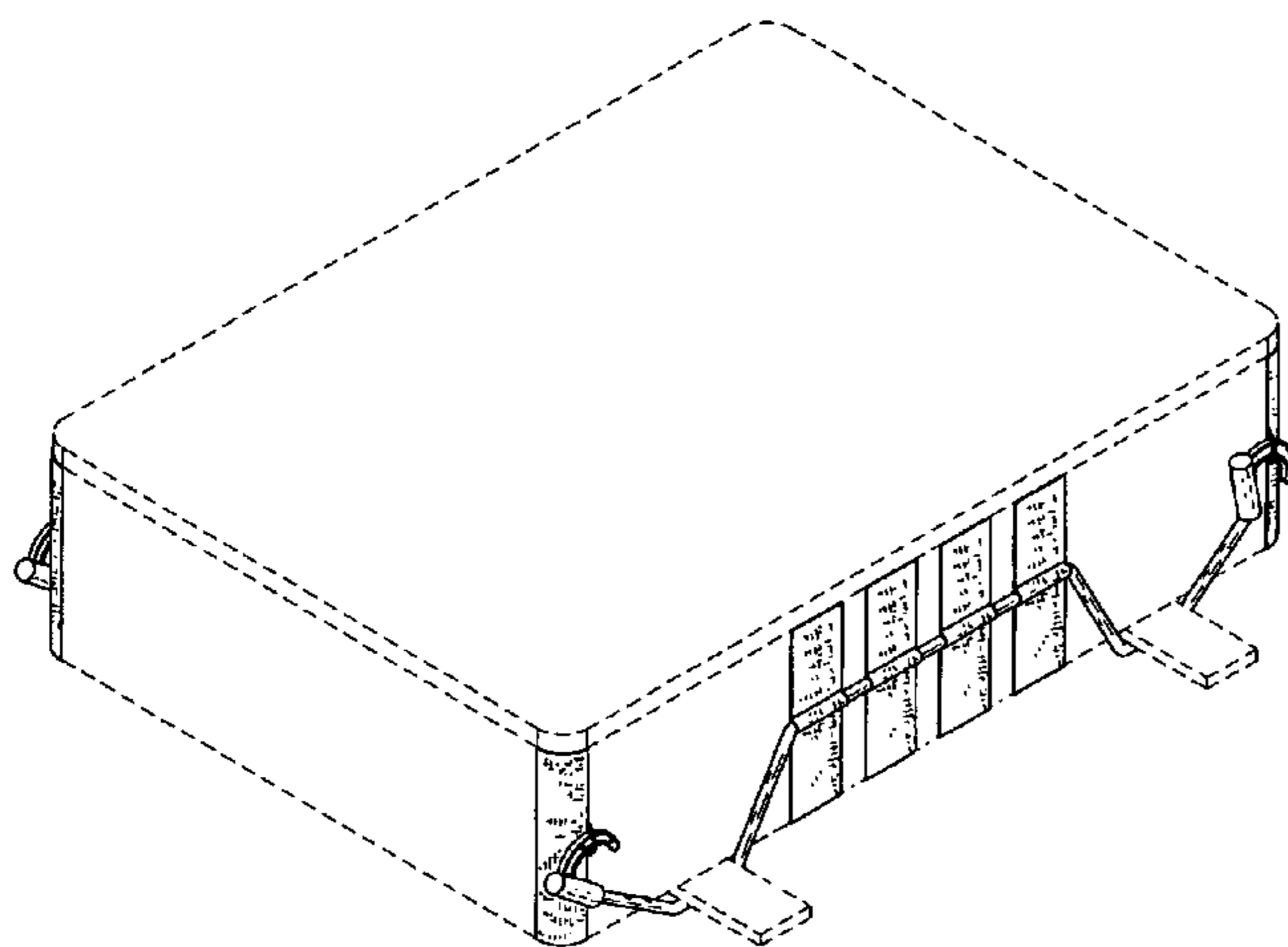
(56) **References Cited**

U.S. PATENT DOCUMENTS

3,000,419 A * 9/1961 Morrison 224/314
3,084,825 A * 4/1963 Hultquist 224/314
4,260,084 A * 4/1981 Warren, Jr. 224/328 X

The broken-line showing of environmental structure in FIGS. 1 through 5 is for illustrative purposes only and forms no part of the claimed design.

1 Claim, 2 Drawing Sheets



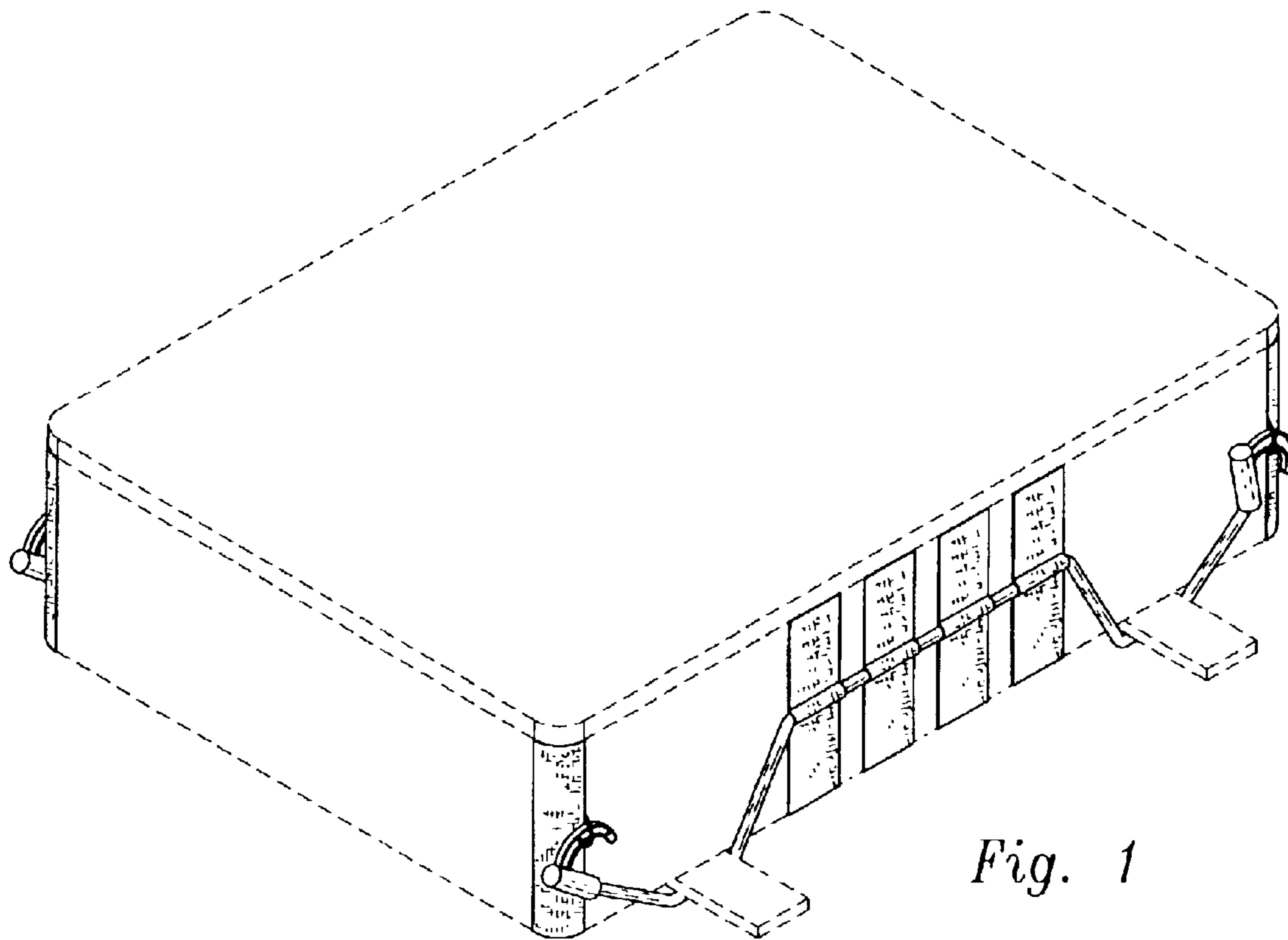


Fig. 1

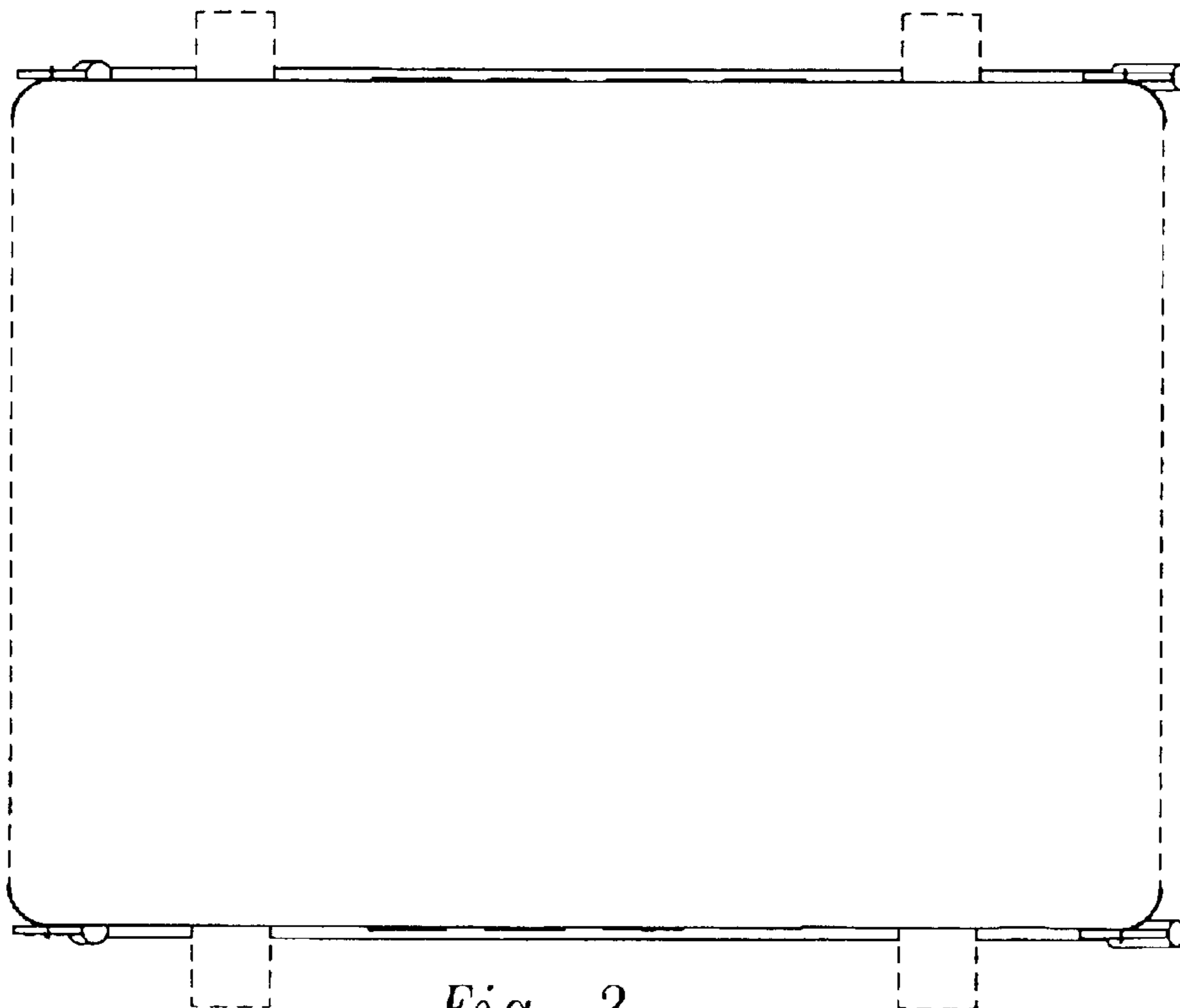


Fig. 2

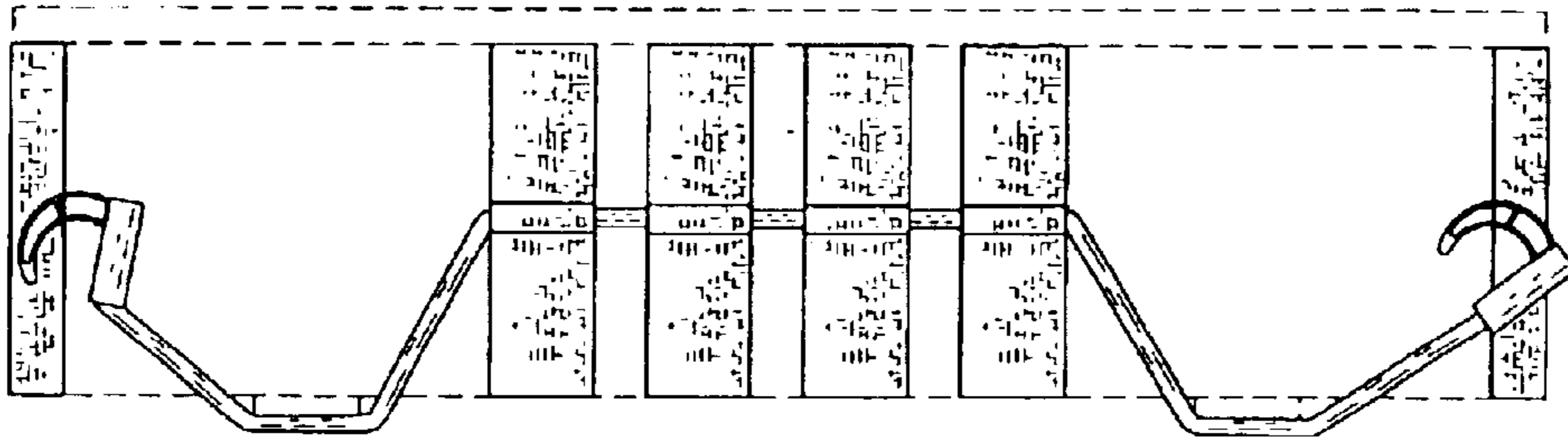


Fig. 3

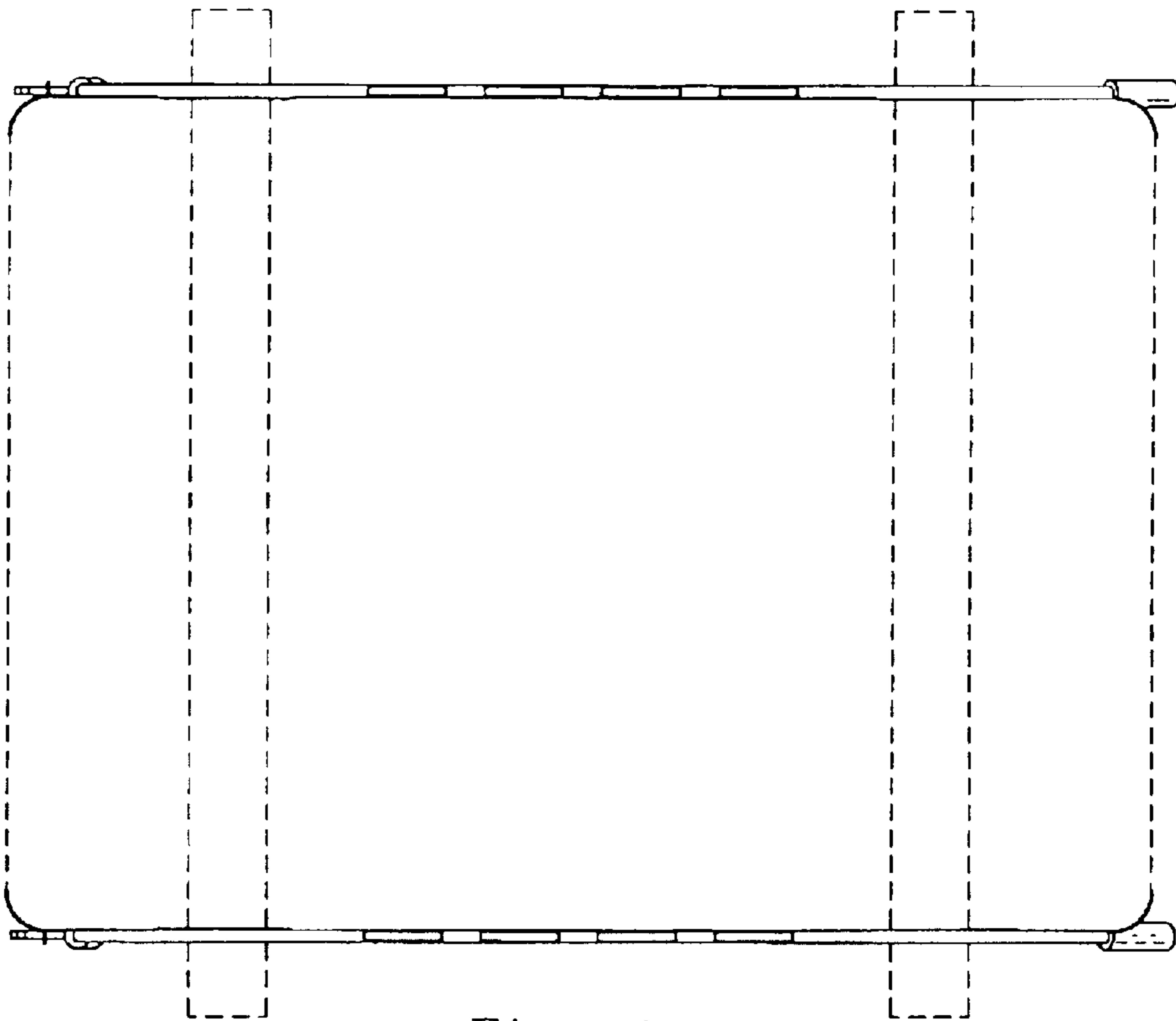


Fig. 4



Fig. 5