

US00D497252S1

(12) **United States Design Patent** (10) **Patent No.:** **US D497,252 S**
Perella et al. (45) **Date of Patent:** **** Oct. 19, 2004**

(54) **STORAGE DEVICE**

(75) Inventors: **Daniel Perella**, Hudson, OH (US);
Anthony DeCarlo, Bay Village, OH (US); **Vincent Thomson**, Avon Lake, OH (US)

(73) Assignee: **IdeaStream Consumer Products LLC**, Parma, OH (US)

(**) Term: **14 Years**

(21) Appl. No.: **29/182,113**

(22) Filed: **May 21, 2003**

(51) **LOC (7) Cl.** **03-01**

(52) **U.S. Cl.** **D3/294; D3/272; D6/448**

(58) **Field of Search** **D6/432-448; D3/272, D3/273, 294, 296, 297; 312/204, 213, 249.1, 249.8**

(56) **References Cited**

U.S. PATENT DOCUMENTS

903,668	A	*	11/1908	Carl	D3/272
941,969	A	*	11/1909	Williams	D3/272
D67,730	S	*	6/1925	Wheary	D3/272
D71,465	S	*	11/1926	Langmuir	D3/272
D129,108	S	*	8/1941	Sprague	D3/272
2,626,025	A	*	1/1953	Sherman	190/37
5,513,066	A	*	4/1996	Berman	312/249.8
5,528,453	A	*	6/1996	Berman et al.	312/249.8
D378,164	S	*	2/1997	Lee	D3/276
D386,614	S	*	11/1997	Smith	D3/273
D415,614	S	*	10/1999	Akaike et al.	D3/276
D419,766	S	*	2/2000	Rekuc	D3/272
D461,339	S	*	8/2002	Keller	D6/448

* cited by examiner

Primary Examiner—Cathron Brooks

(74) *Attorney, Agent, or Firm*—Pillsbury Winthrop LLP

(57) **CLAIM**

The ornamental design for a storage device, as shown and described.

DESCRIPTION

A portion of the disclosure of this patent document contains material to which a claim for copyright is made. The copyright owner has no objection to the facsimile reproduction of the patent document or the patent disclosure, as it appears in the Patent and Trademark Office patent file or records, but reserves all other copyrights whatsoever.

FIG. 1 is a perspective view of a storage device embodying our new design;

FIG. 2 is a left side profile view of the storage device of FIG. 1;

FIG. 3 is a right side profile view of the storage device of FIG. 1;

FIG. 4 is a front elevational view of the storage device of FIG. 1;

FIG. 5 is a rear elevational view of the storage device of FIG. 1;

FIG. 6 is a top plan view of the storage device of FIG. 1;

FIG. 7 is a perspective view of an alternative embodiment of a storage device embodying our new design, with unclaimed portions of the storage device shown in broken lines;

FIG. 8 is a left side profile view of the storage device of FIG. 7;

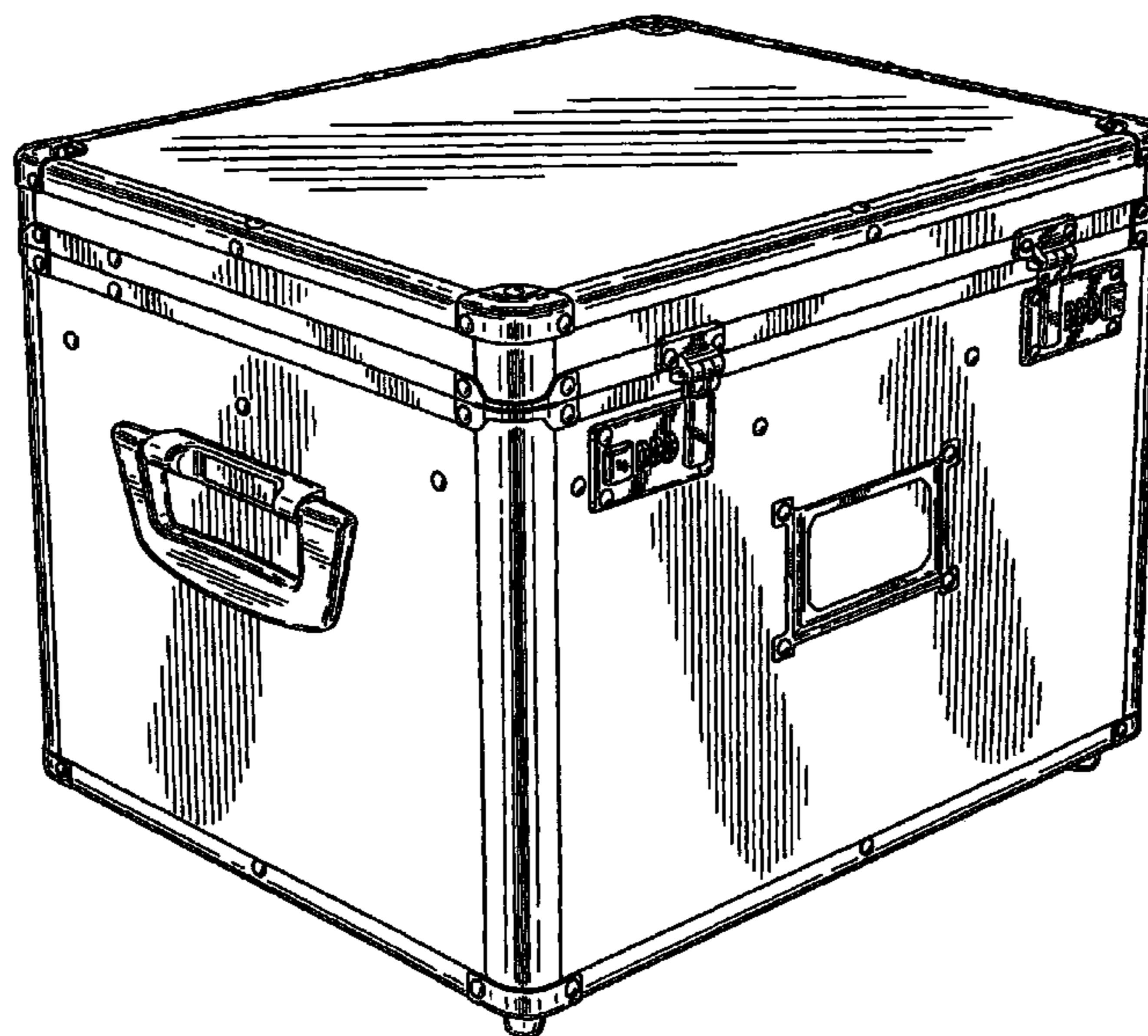
FIG. 9 is a right side profile view of the storage device of FIG. 7;

FIG. 10 is a front elevational view of the storage device of FIG. 7;

FIG. 11 is a rear elevational view of the storage device of FIG. 7; and,

FIG. 12 is a top plan view of the storage device of FIG. 7.

1 Claim, 12 Drawing Sheets



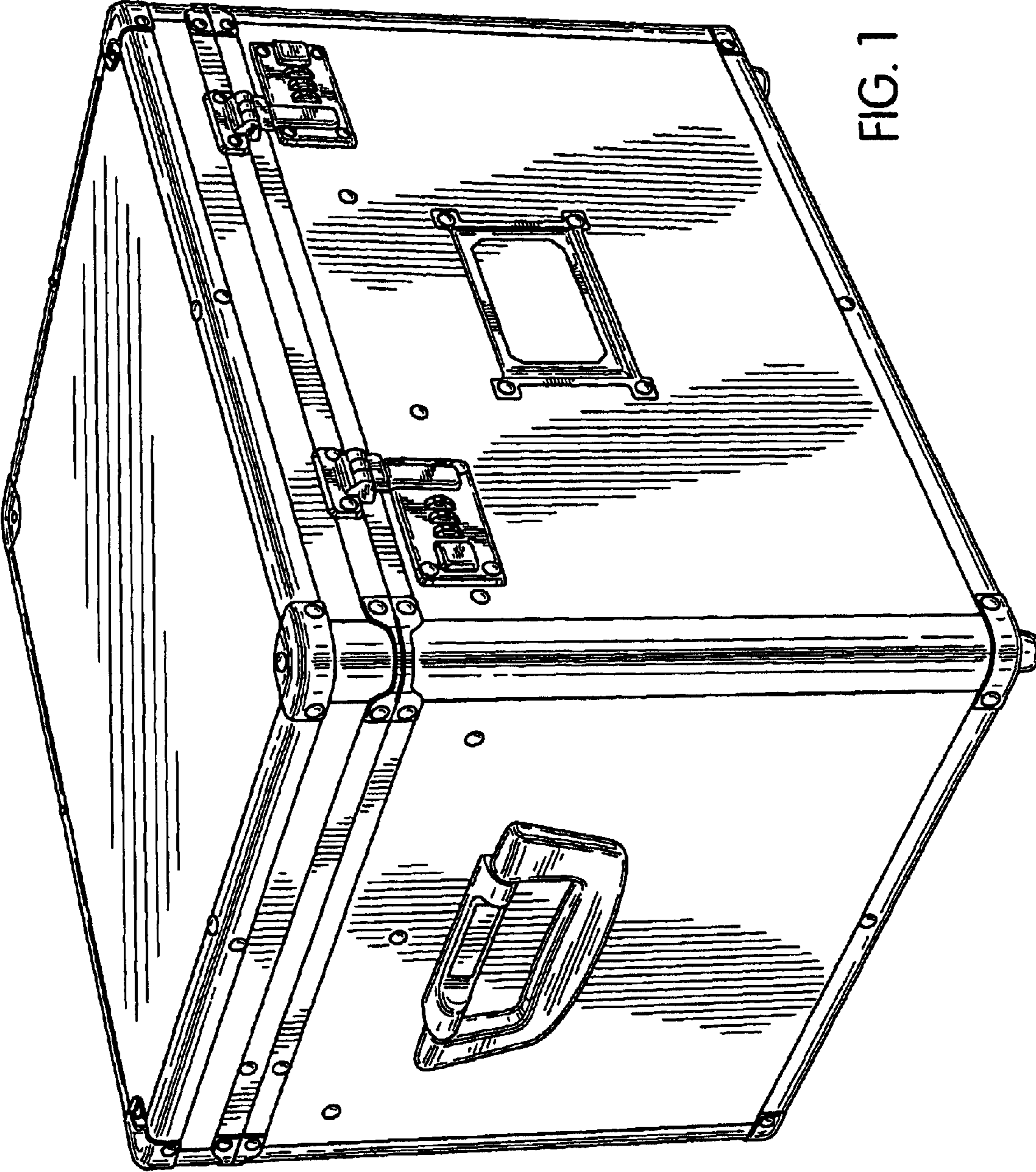


FIG. 1

FIG. 2

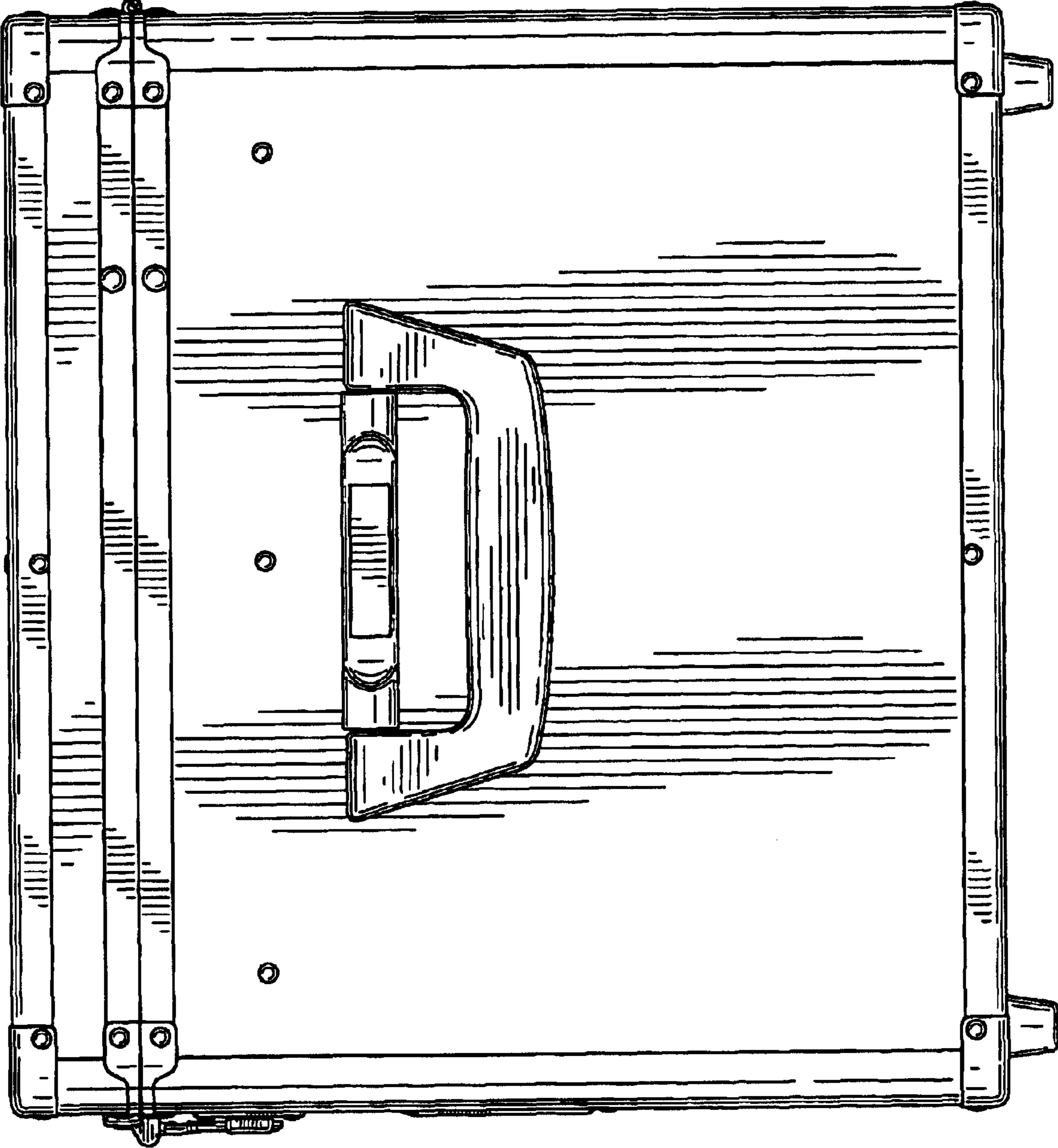


FIG. 3

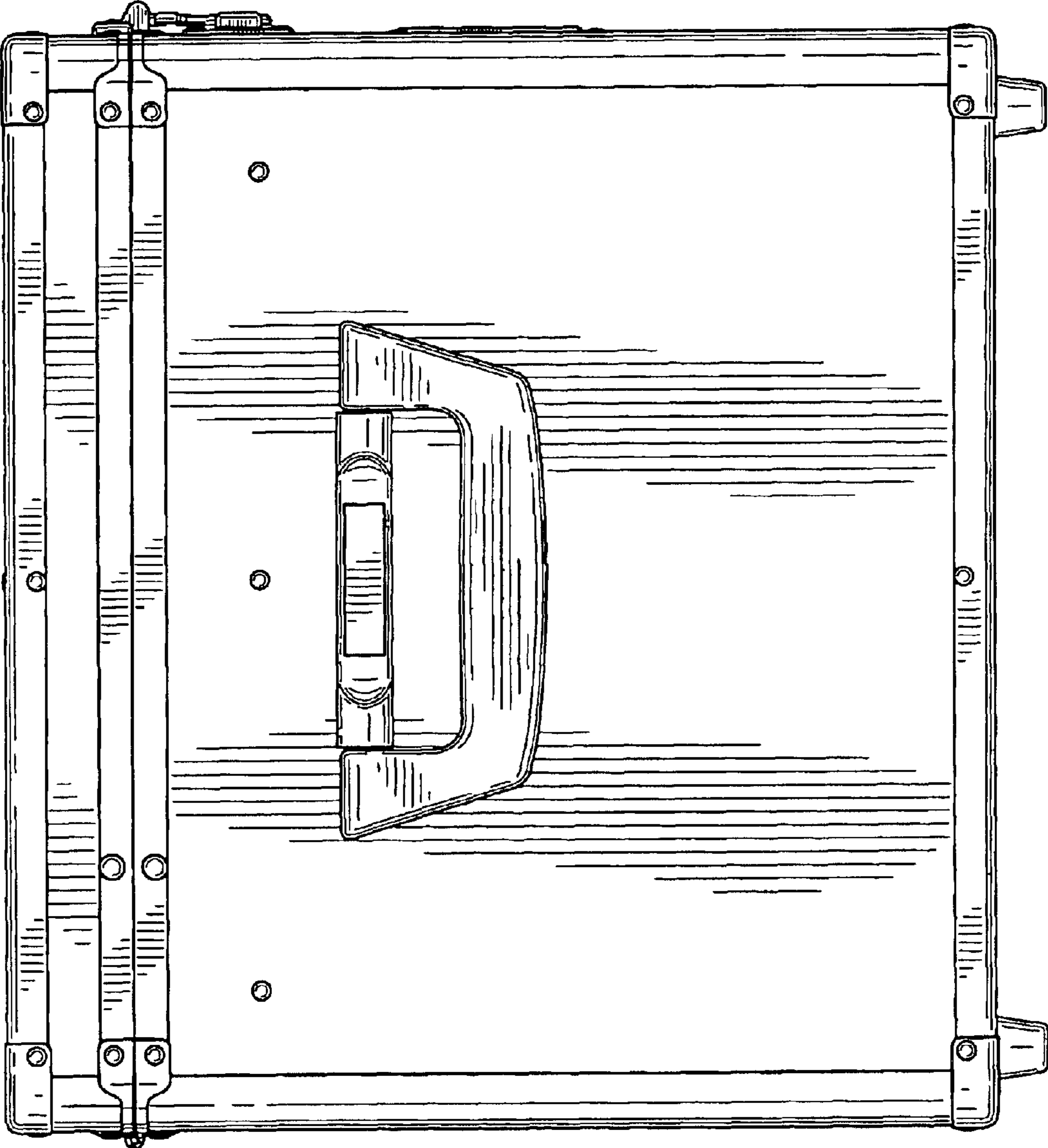


FIG. 4

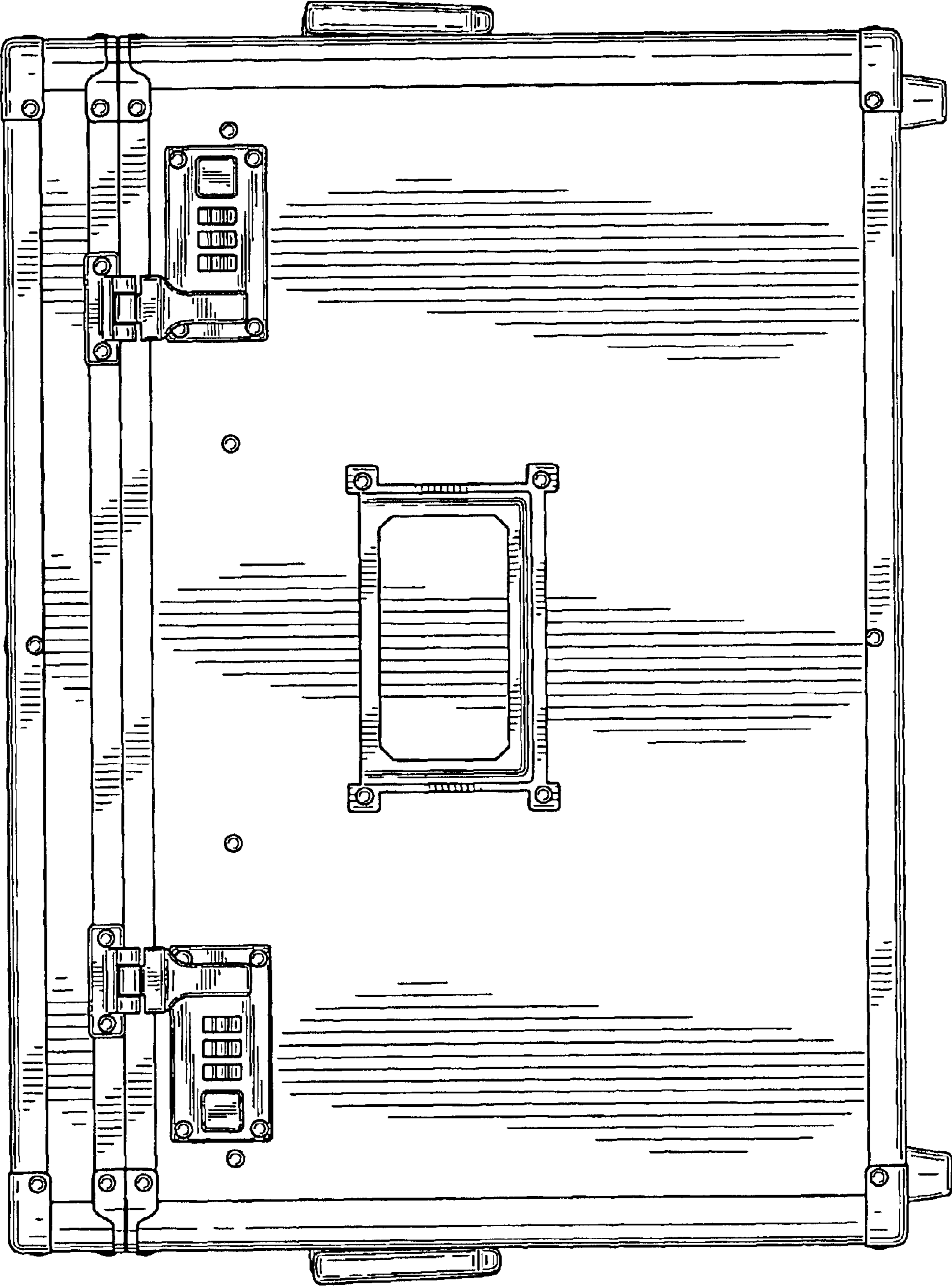


FIG. 5

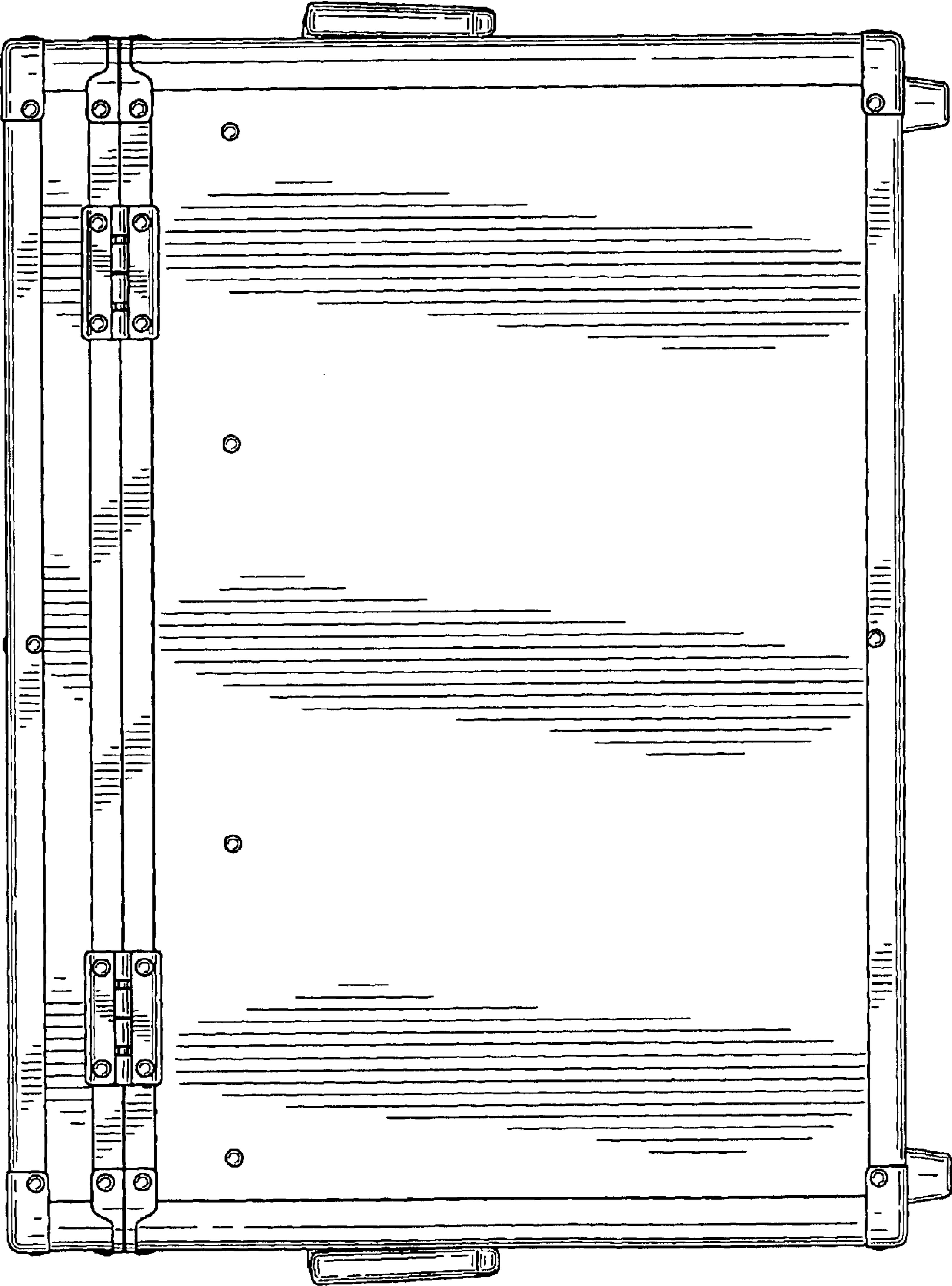
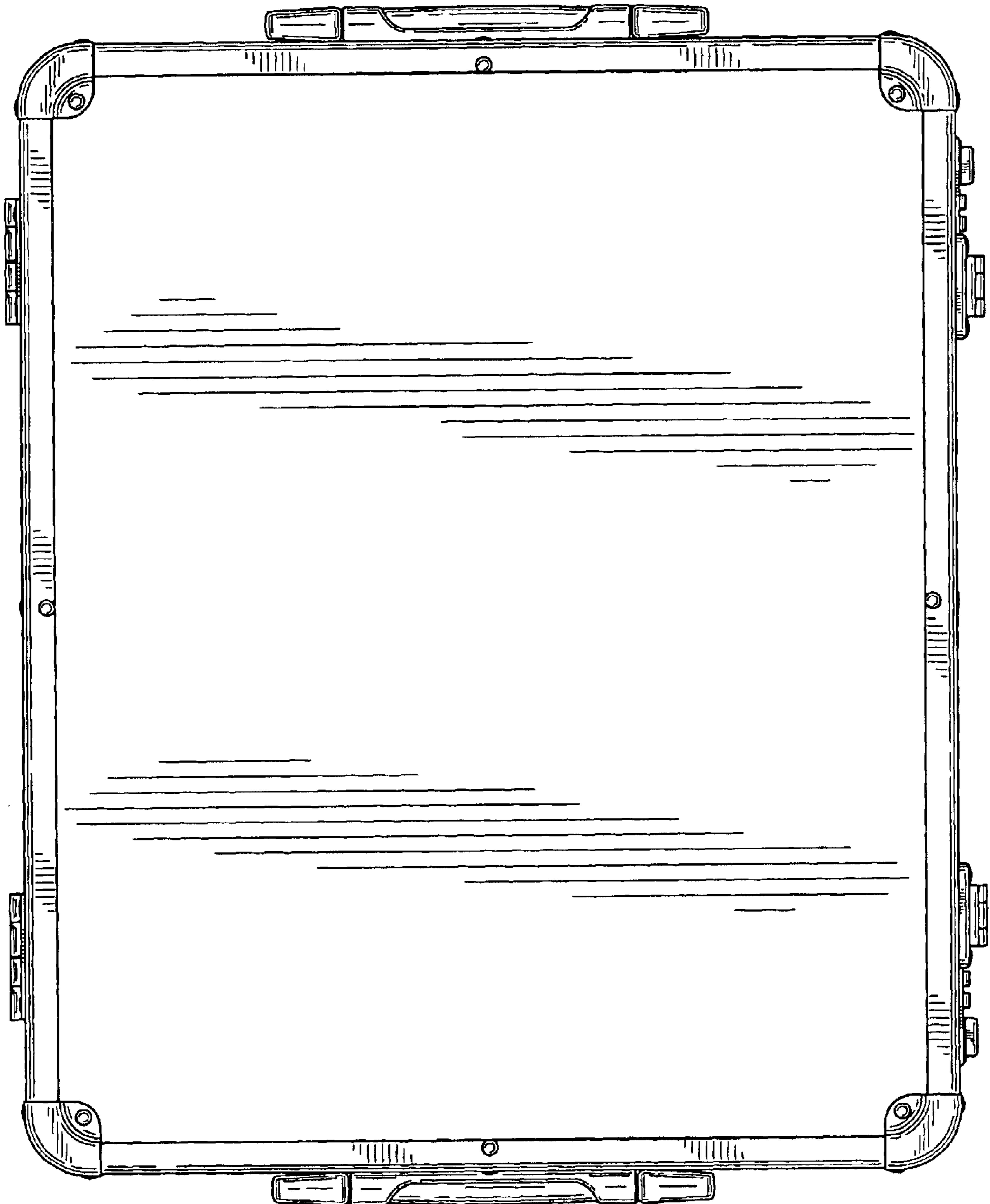


FIG. 6



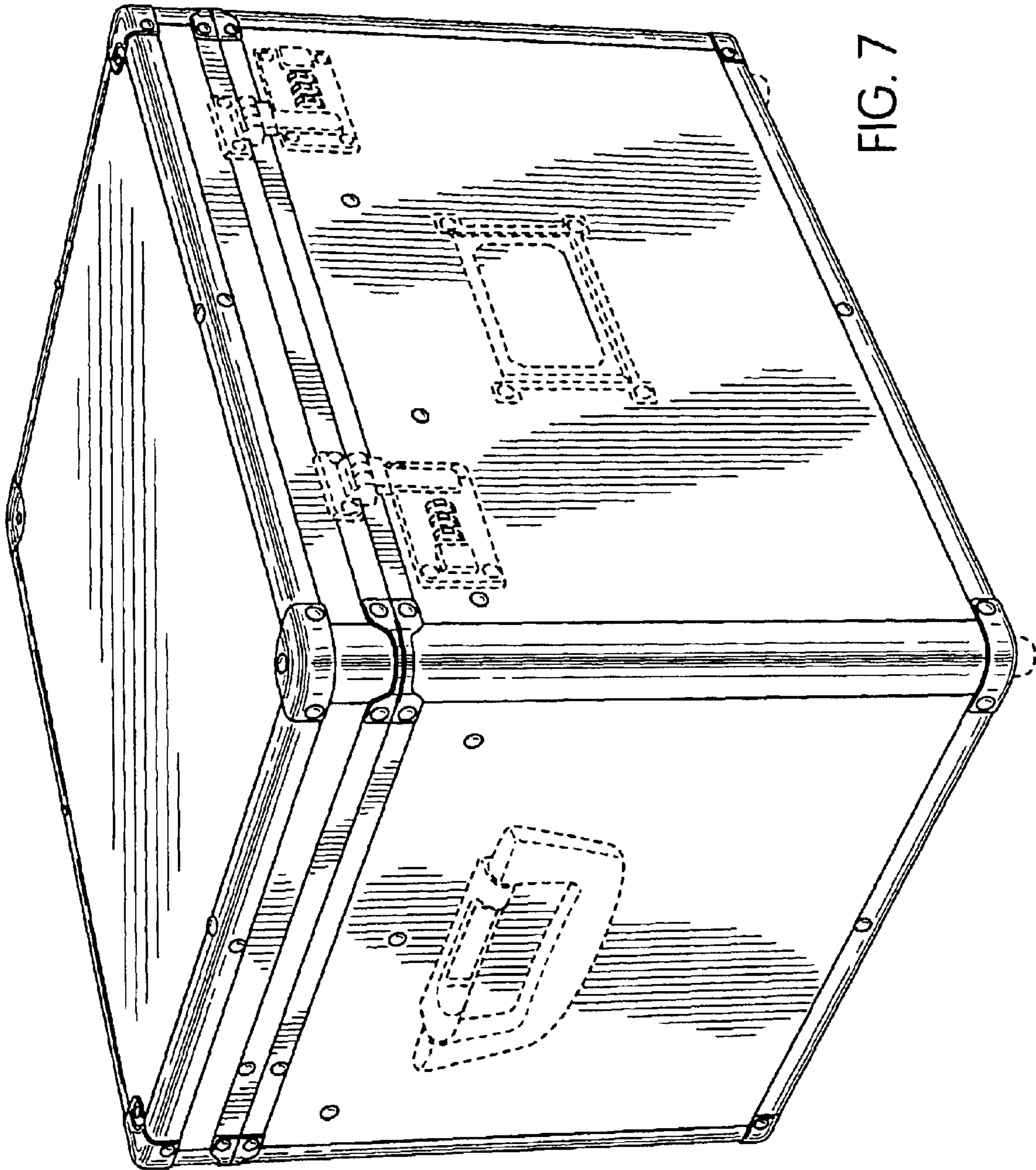


FIG. 7

FIG. 8

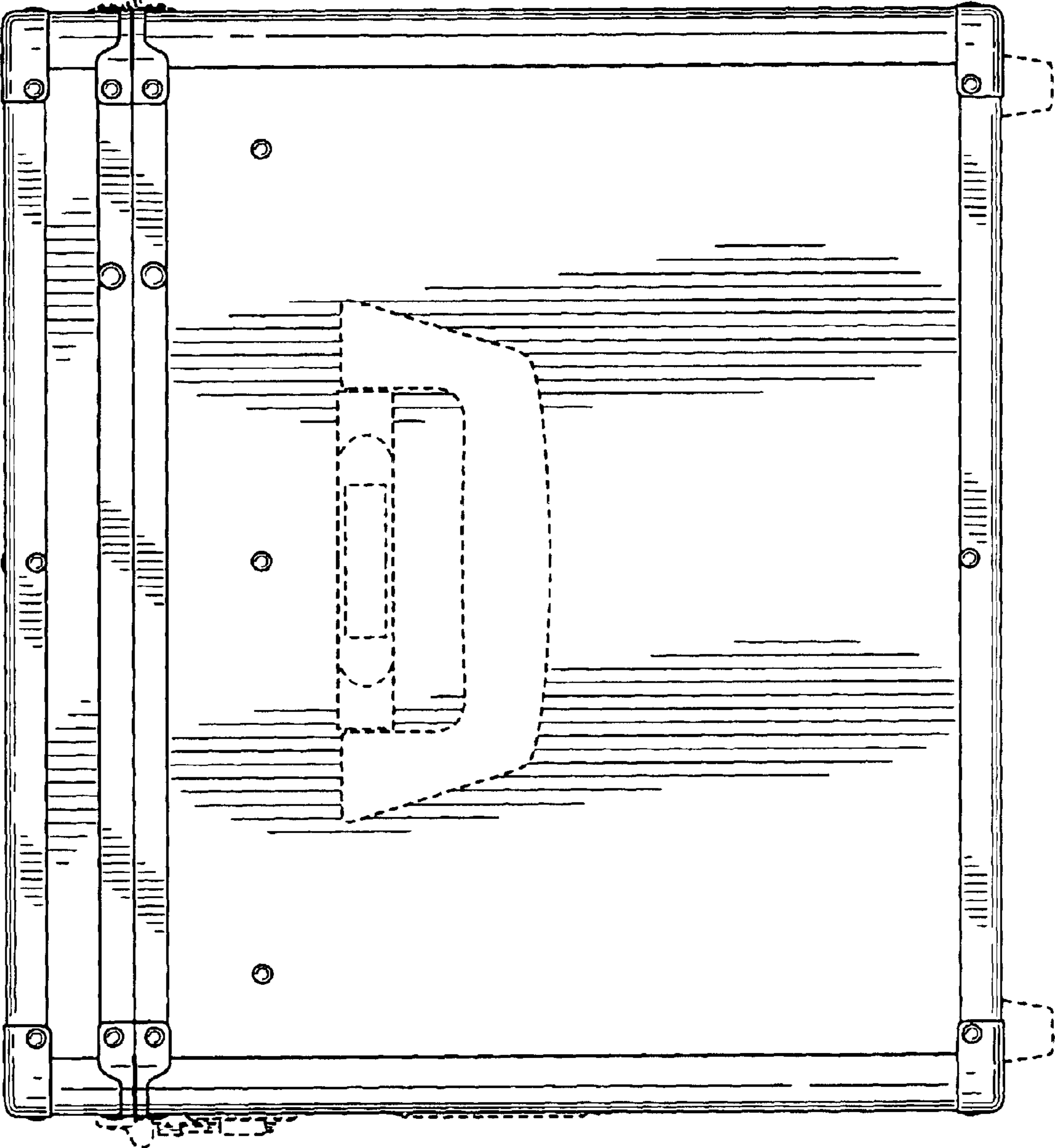


FIG. 9

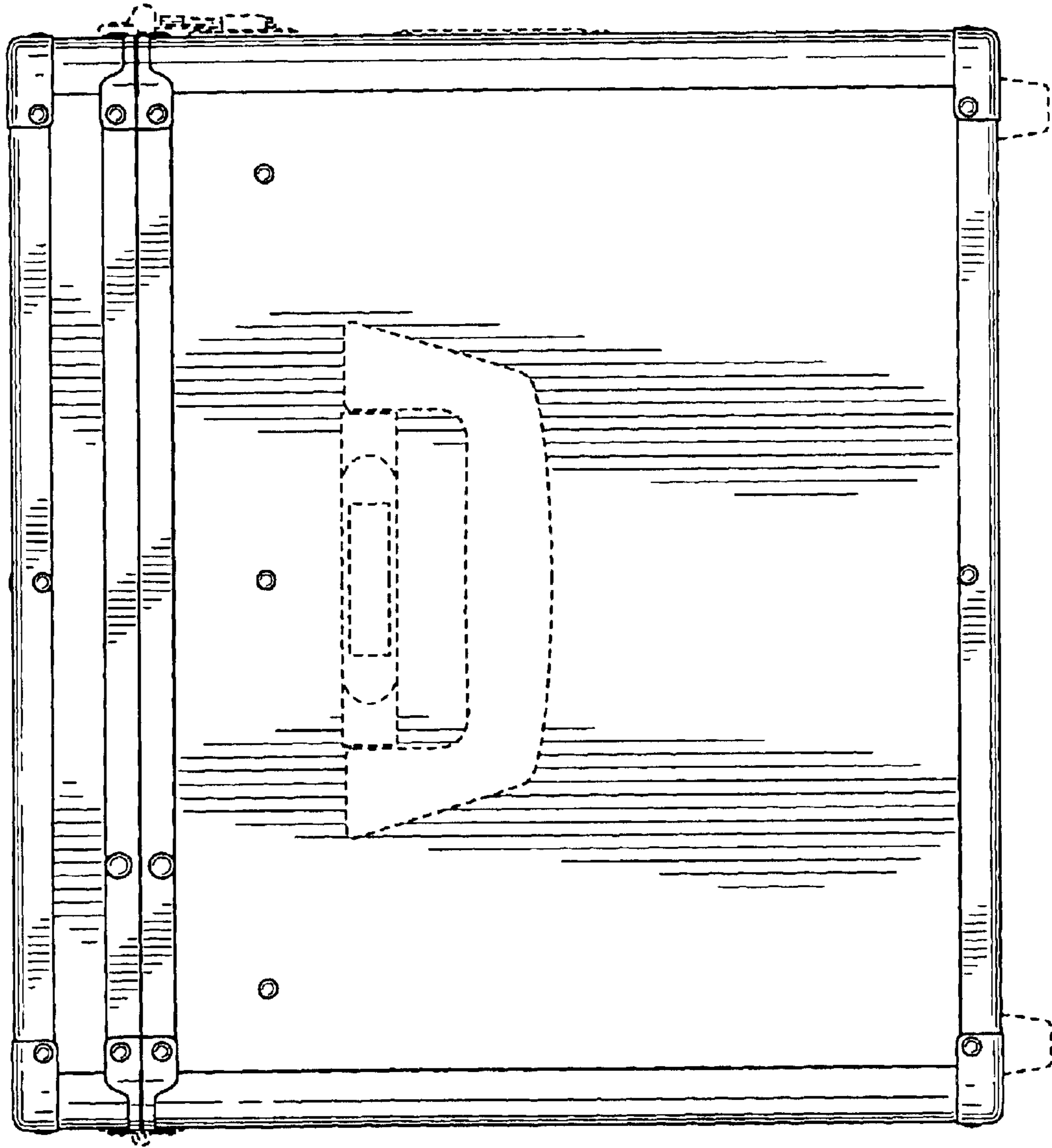


FIG. 10

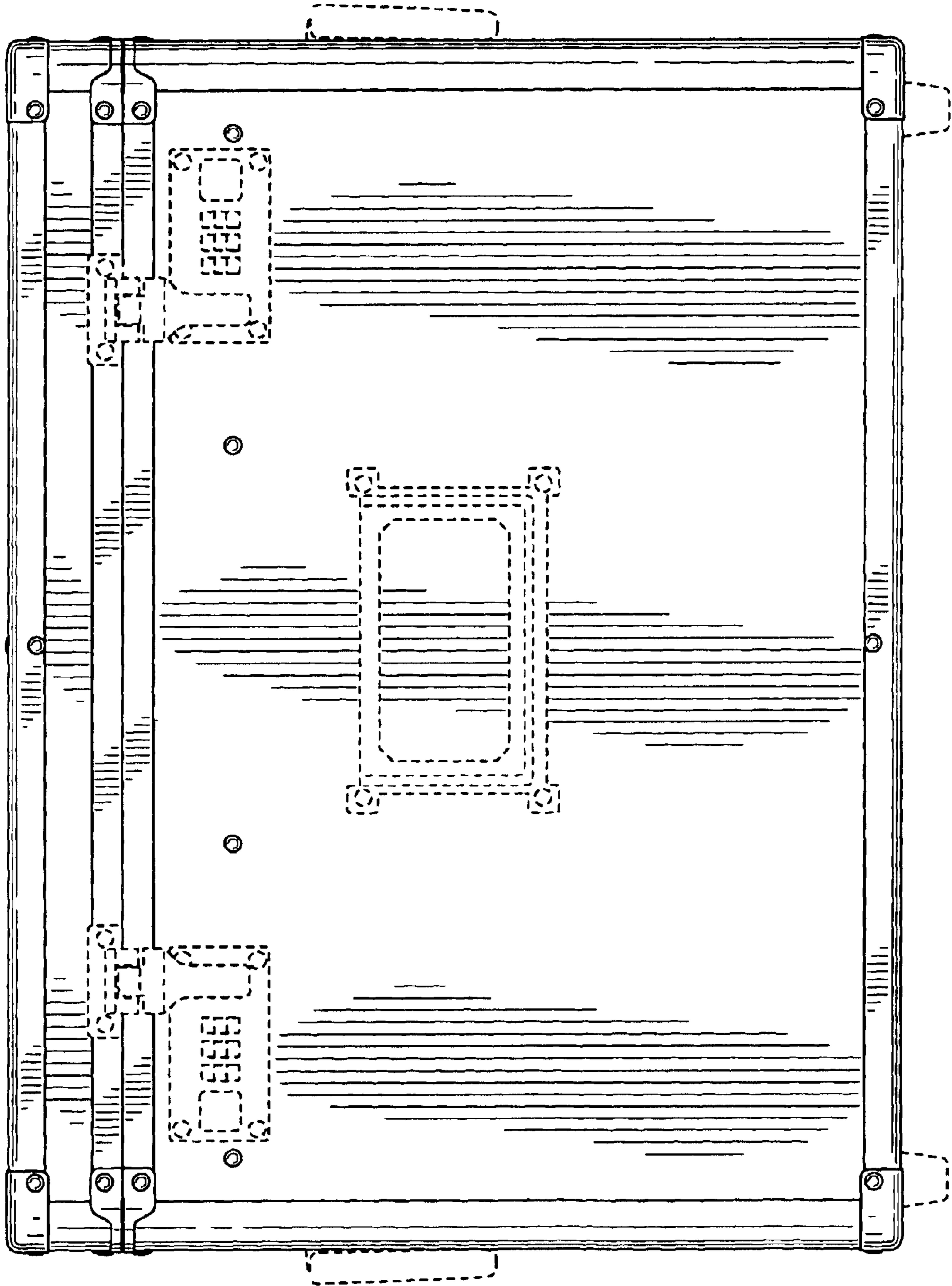


FIG. 11

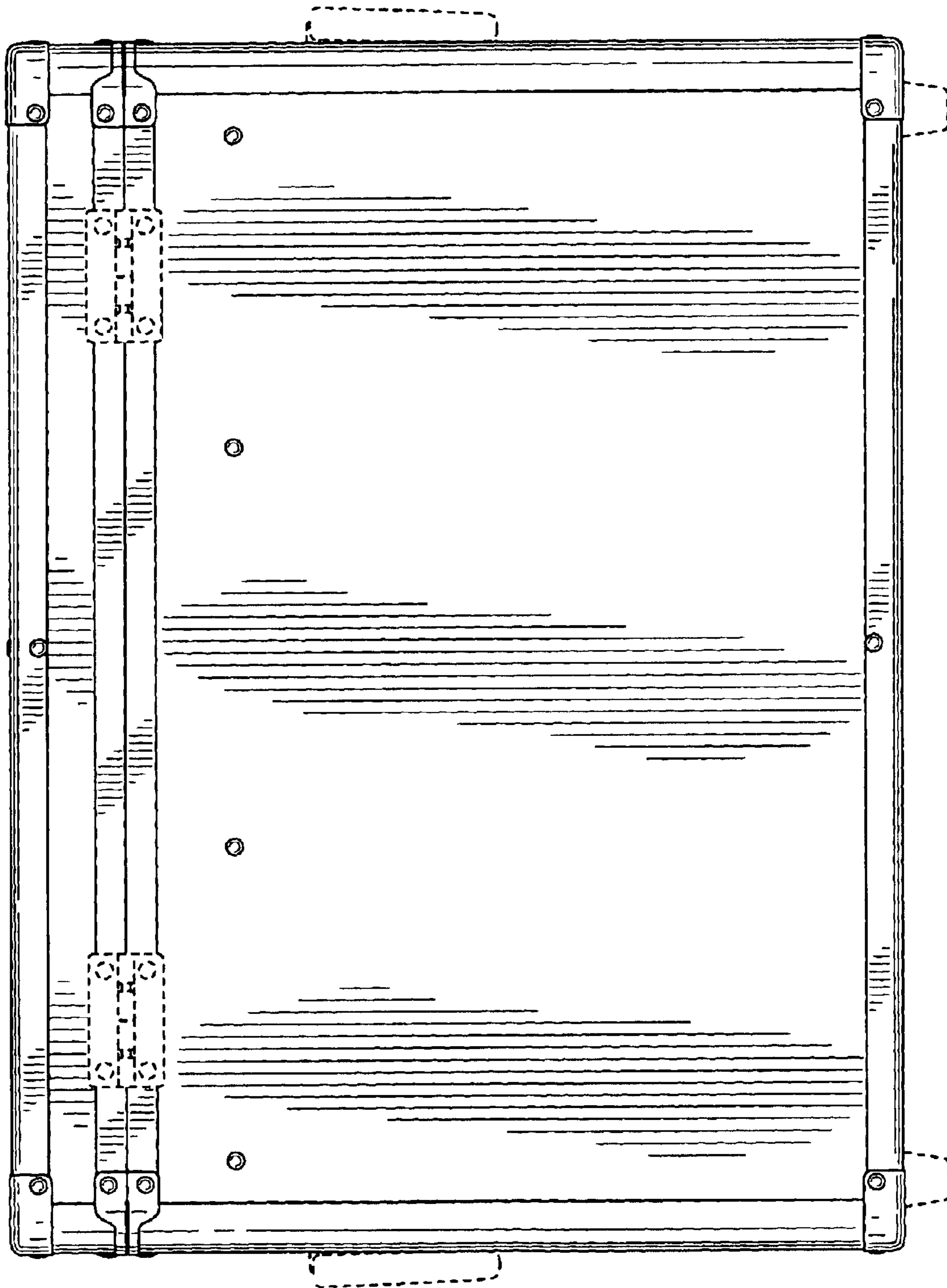


FIG. 12

