

US00D497251S1

(12) **United States Design Patent**
Goodman et al.

(10) **Patent No.: US D497,251 S**
(45) **Date of Patent: ** Oct. 19, 2004**

(54) **STORAGE AND DISPLAY DEVICE**

(75) Inventors: **Charles J. Goodman**, Dallas, TX (US);
Kimberley Miller, Dallas, TX (US)

(73) Assignee: **Goodies From Goodman, Inc.**, Dallas,
TX (US)

(**) Term: **14 Years**

(21) Appl. No.: **29/186,713**

(22) Filed: **Jul. 21, 2003**

(51) **LOC (7) Cl.** **03-01**

(52) **U.S. Cl.** **D3/271; D9/307**

(58) **Field of Search** D3/296, 270, 271,
D3/272, 273, 294, 301; D9/307, 334; 229/116.1,
116.5; 206/457

(56) **References Cited**

U.S. PATENT DOCUMENTS

D100,145 S * 6/1936 Bates D9/334
D118,501 S * 1/1940 McIntosh D9/334

D244,749 S * 6/1977 Hodges D9/334
4,726,509 A * 2/1988 Fonas 229/116.1
D322,563 S * 12/1991 Grandesso et al. D9/560
D374,398 S * 10/1996 Larson D9/334

* cited by examiner

Primary Examiner—Philip S. Hyder

(74) *Attorney, Agent, or Firm*—Locke Liddell & Sapp LLP

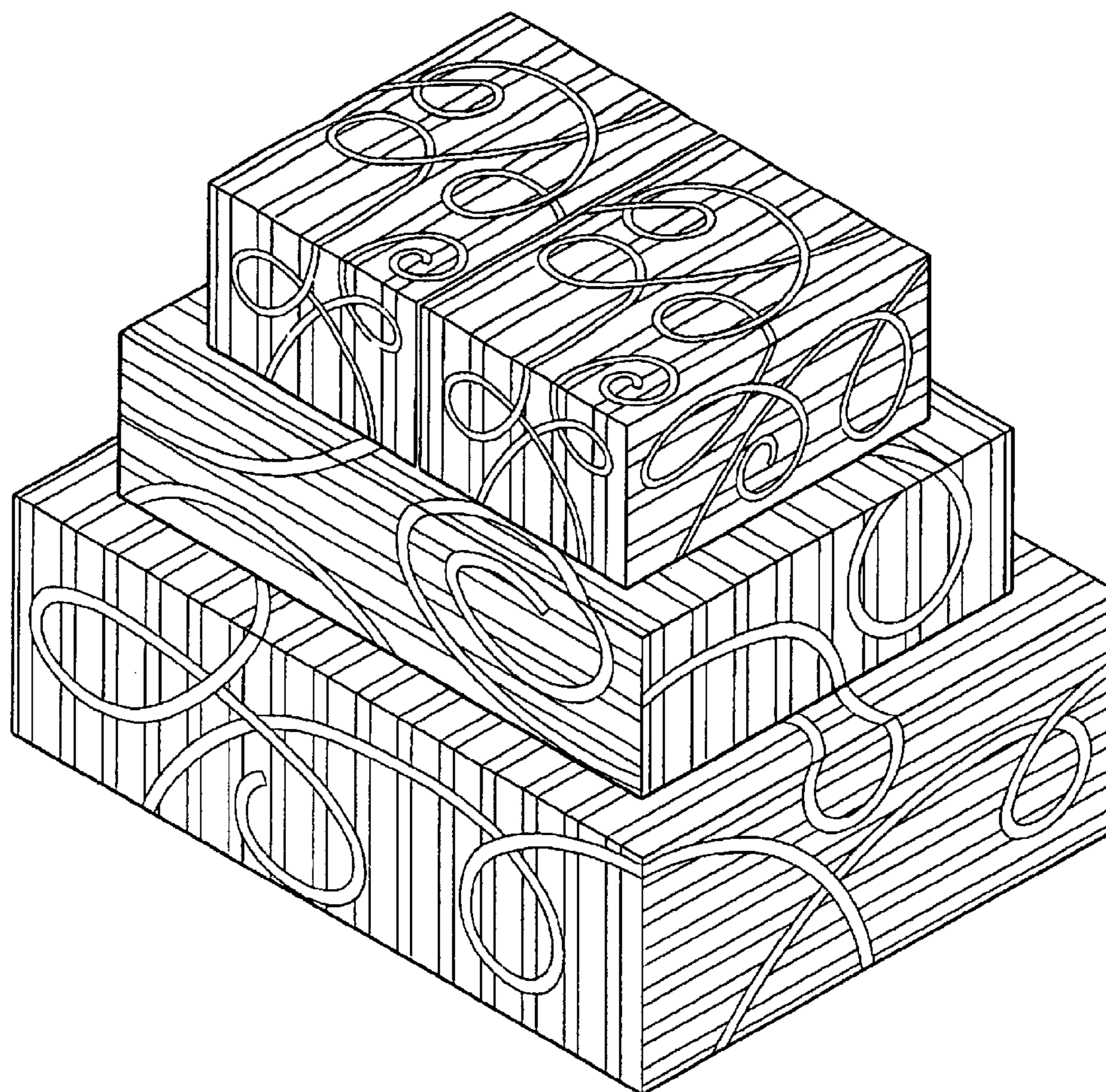
(57) **CLAIM**

The ornamental design for a storage and display device, as shown and described.

DESCRIPTION

FIG. 1 is a front perspective view of the storage and display device showing our design;
FIG. 2 is a left side elevational view thereof;
FIG. 3 is a top plan view thereof;
FIG. 4 is a front elevational view thereof;
FIG. 5 is a rear elevational view thereof;
FIG. 6 is a right side elevational view thereof; and,
FIG. 7 is a bottom view of the storage and display device.

1 Claim, 3 Drawing Sheets



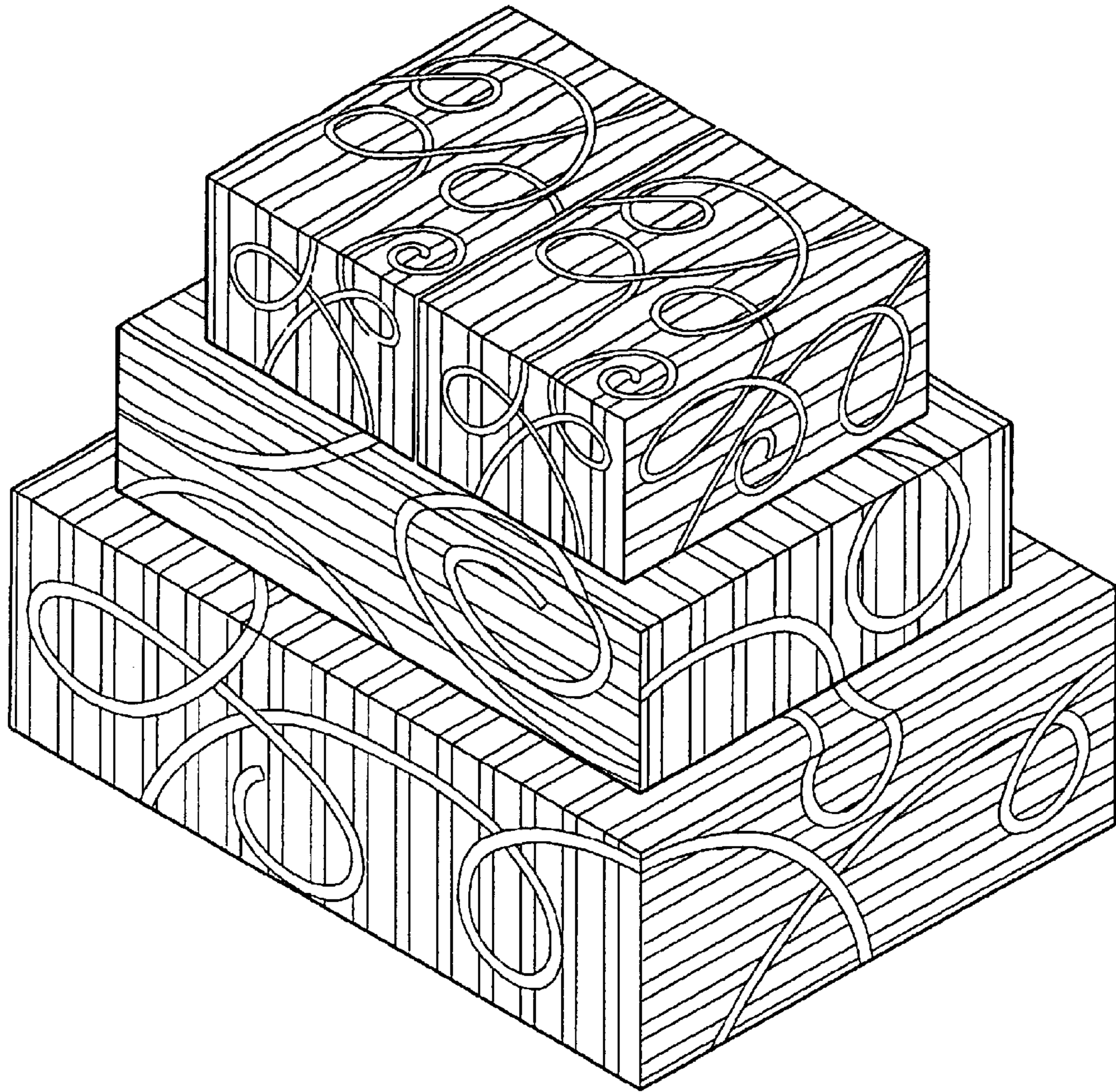


FIG. 1

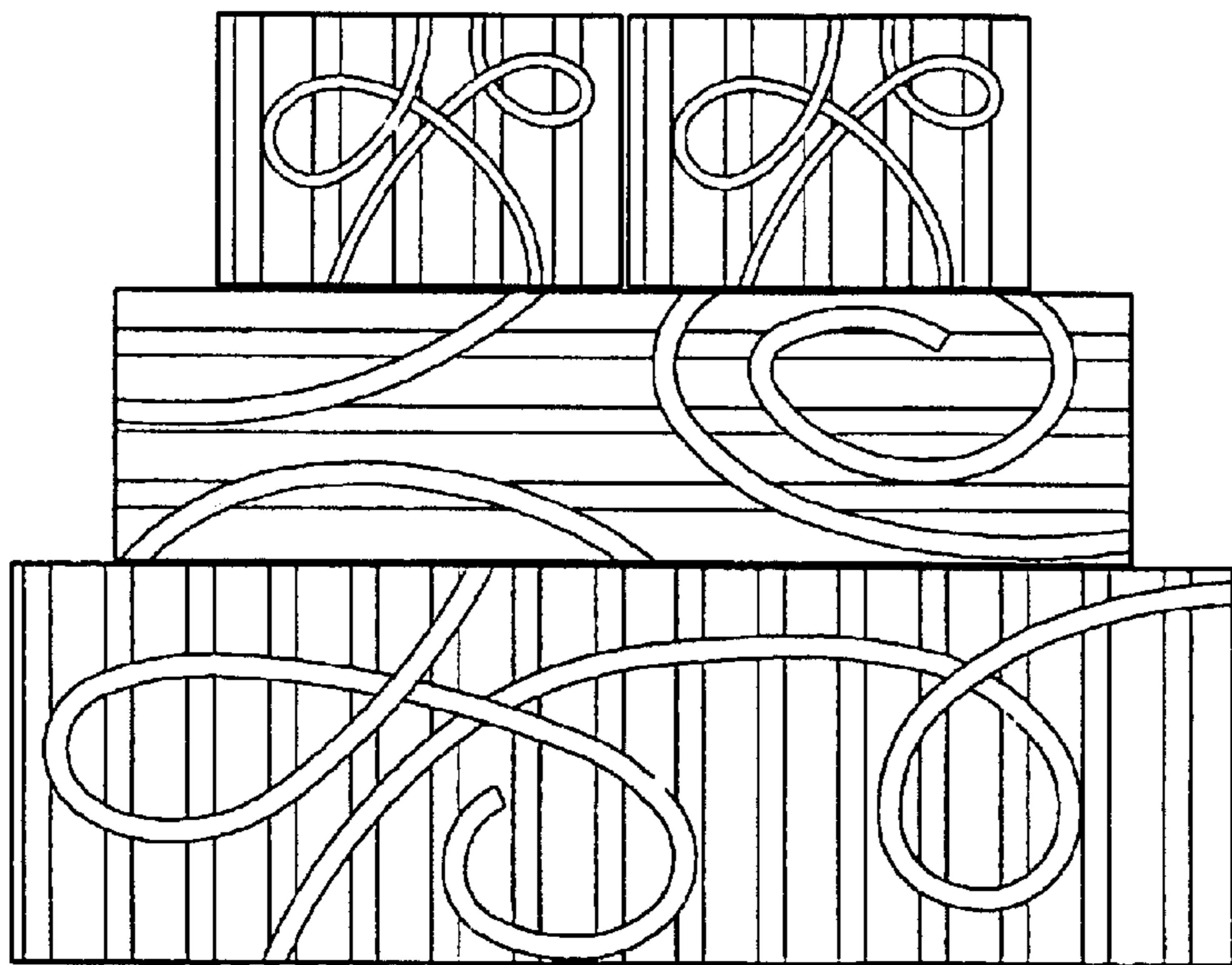


FIG. 2

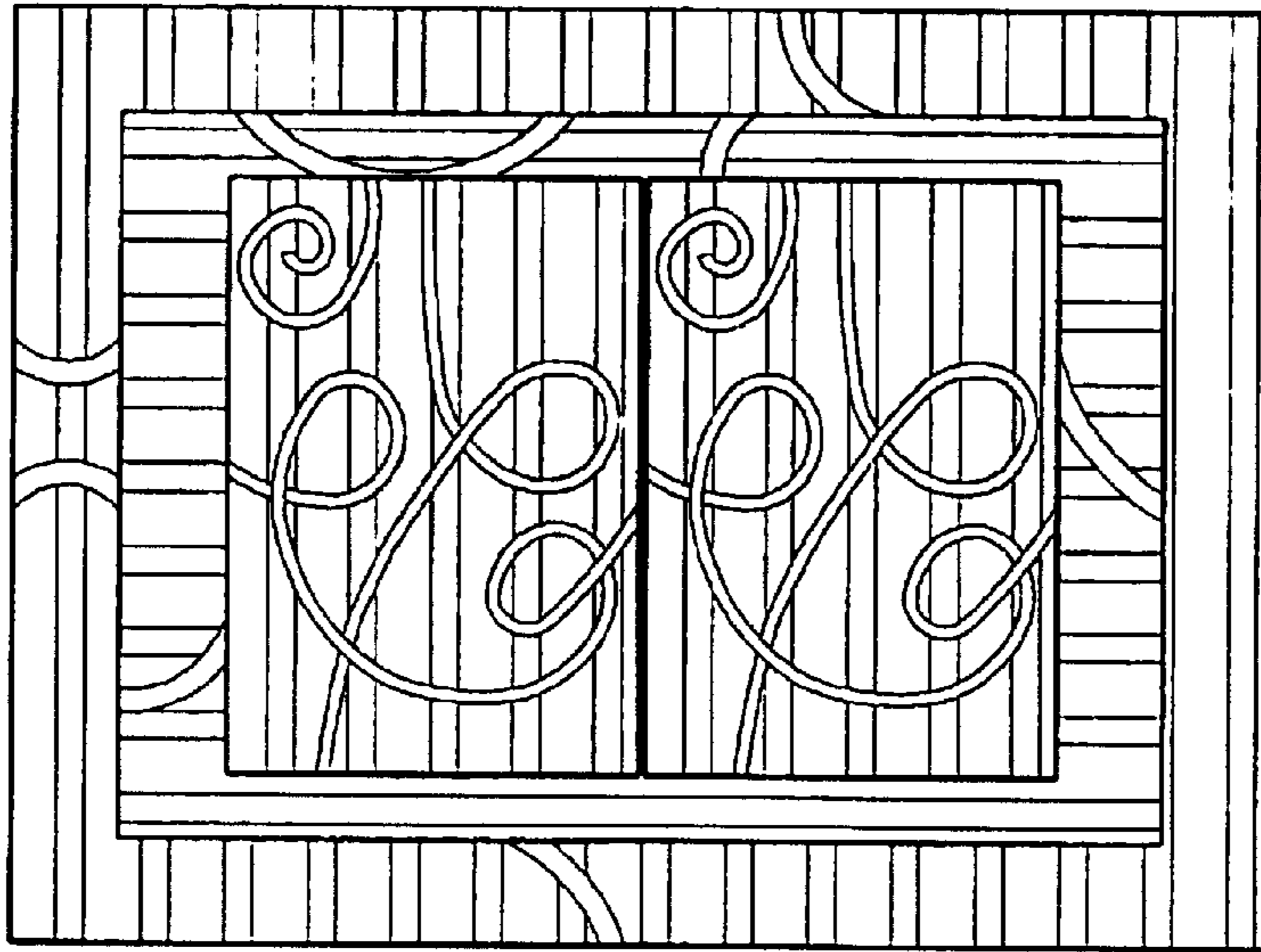


FIG. 3

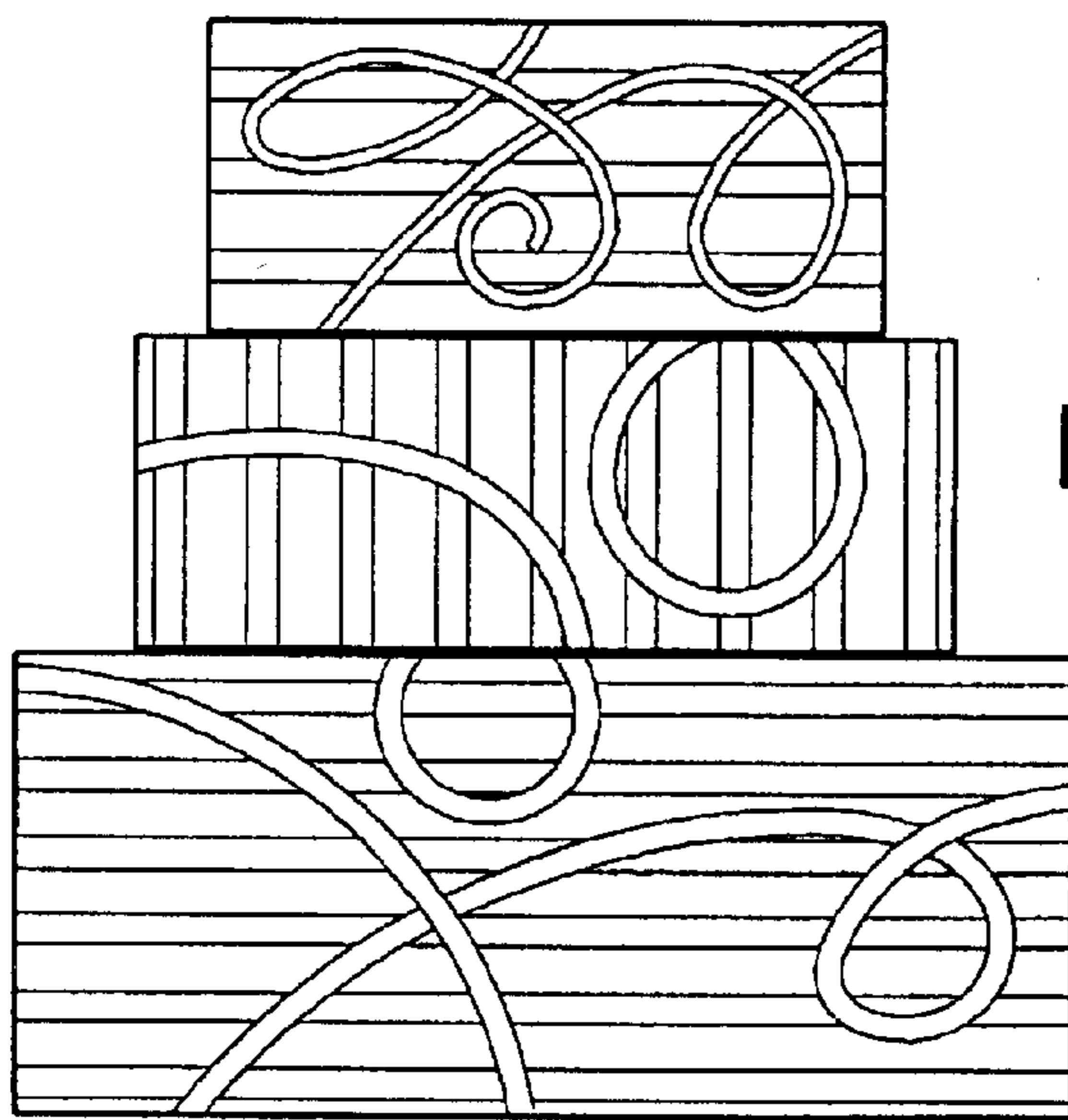


FIG. 4

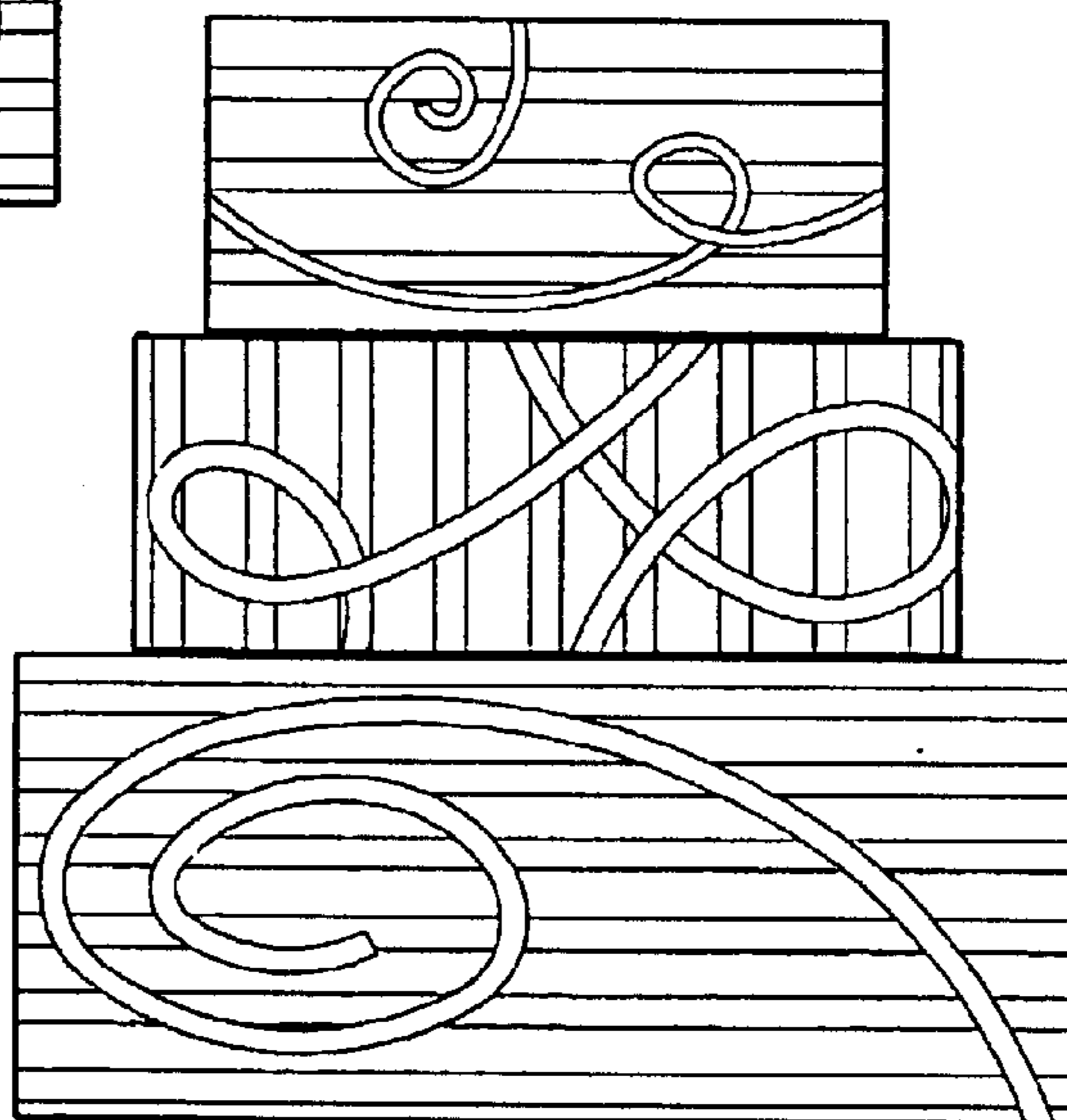


FIG. 5

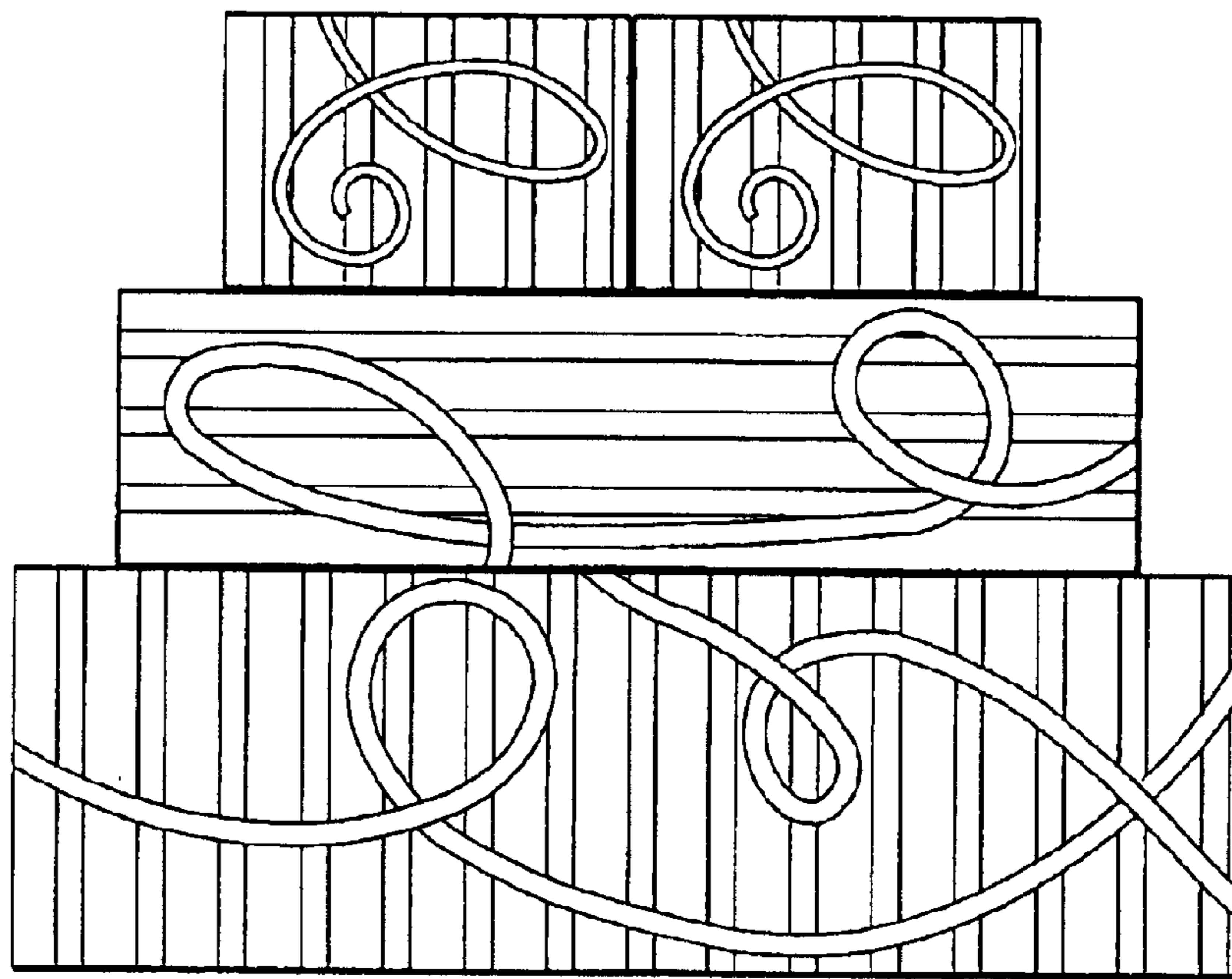


FIG. 6

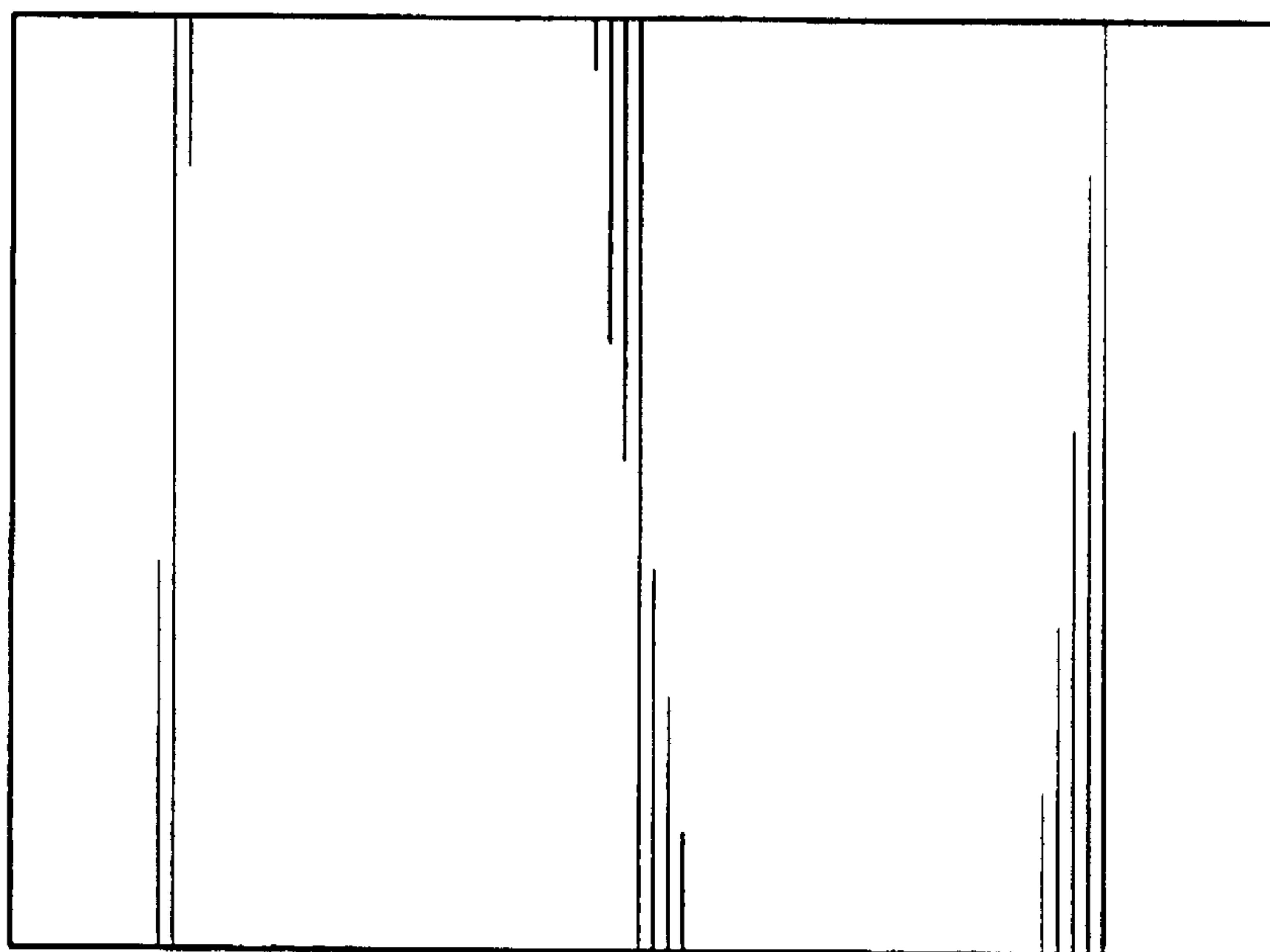


FIG. 7