

US00D497245S1

(12) **United States Design Patent**  
**Willows et al.**

(10) **Patent No.: US D497,245 S**

(45) **Date of Patent: \*\* \*Oct. 19, 2004**

(54) **BOTTLE SLING**

(76) Inventors: **Keith Willows**, 1823 12th Ave. W.,  
Seattle, WA (US) 98119; **Antonio del**  
**Rosario**, 3265 112<sup>th</sup> Ave. SE., Bellevue,  
WA (US) 98004; **June Angus**, 1823  
12th Ave. W., Seattle, WA (US) 98119

4,556,245 A	*	12/1985	Gruenwald	.....	294/31.2
4,724,971 A	*	2/1988	Henline	.....	215/396
4,804,218 A	*	2/1989	Hilliard	.....	294/31.2
4,979,659 A	*	12/1990	Boyd	.....	224/603
D353,045 S	*	12/1994	Chandler	.....	D3/229
D357,387 S	*	4/1995	Davidson et al.	.....	D7/622
6,062,434 A	*	5/2000	Melk	.....	222/175

\* cited by examiner

(\*) Notice: This patent is subject to a terminal disclaimer.

*Primary Examiner*—Lucy Lieberman

(\*\*) Term: **14 Years**

(57) **CLAIM**

(21) Appl. No.: **29/172,013**

The ornamental design for a “bottle sling”, as shown and described.

(22) Filed: **Dec. 3, 2002**

**DESCRIPTION**

(51) **LOC (7) Cl.** ..... **09-07**

(52) **U.S. Cl.** ..... **D3/202**

(58) **Field of Search** ..... D3/202, 229; D9/455;  
D7/619, 622; 224/148.1–148.7; 294/154;  
215/395, 396; 220/741, 742

FIG. 1 is a front elevational view of our bottle sling design; FIG. 2 is a right side view, the left side being a mirror image thereof;

FIG. 3 is a rear elevational view thereof;

FIG. 4 is a top plan view thereof; and,

FIG. 5 is a bottom plan view thereof.

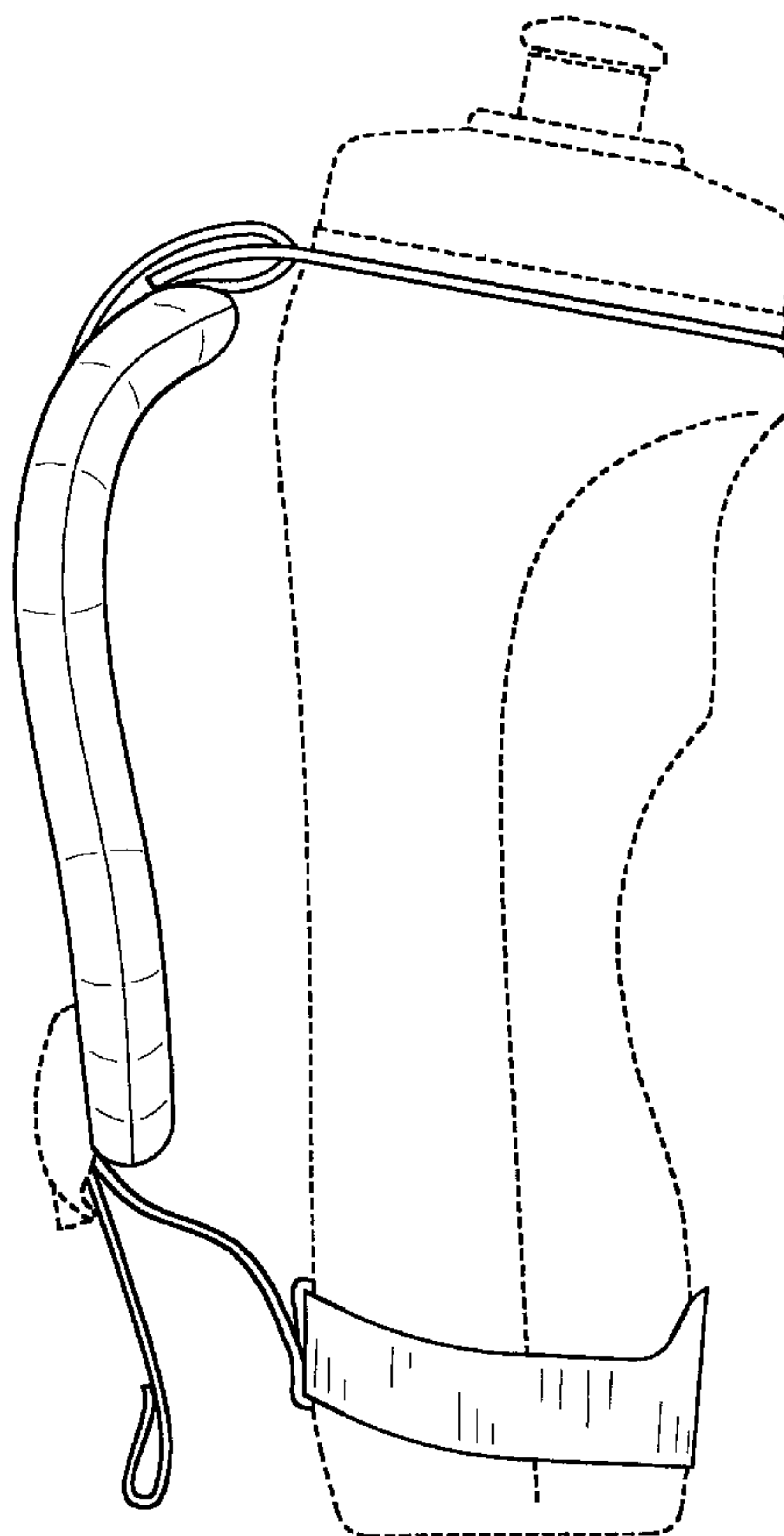
The broken lines showing a buckle, a bottle and a dispensing cap are for illustrative purposes only and do not form part of the claimed design.

(56) **References Cited**

**U.S. PATENT DOCUMENTS**

2,524,639 A	*	10/1950	Saunders	.....	294/154
2,981,562 A	*	4/1961	Long	.....	294/31.2
3,065,944 A	*	11/1962	Liebendorfer	.....	248/102

**1 Claim, 2 Drawing Sheets**



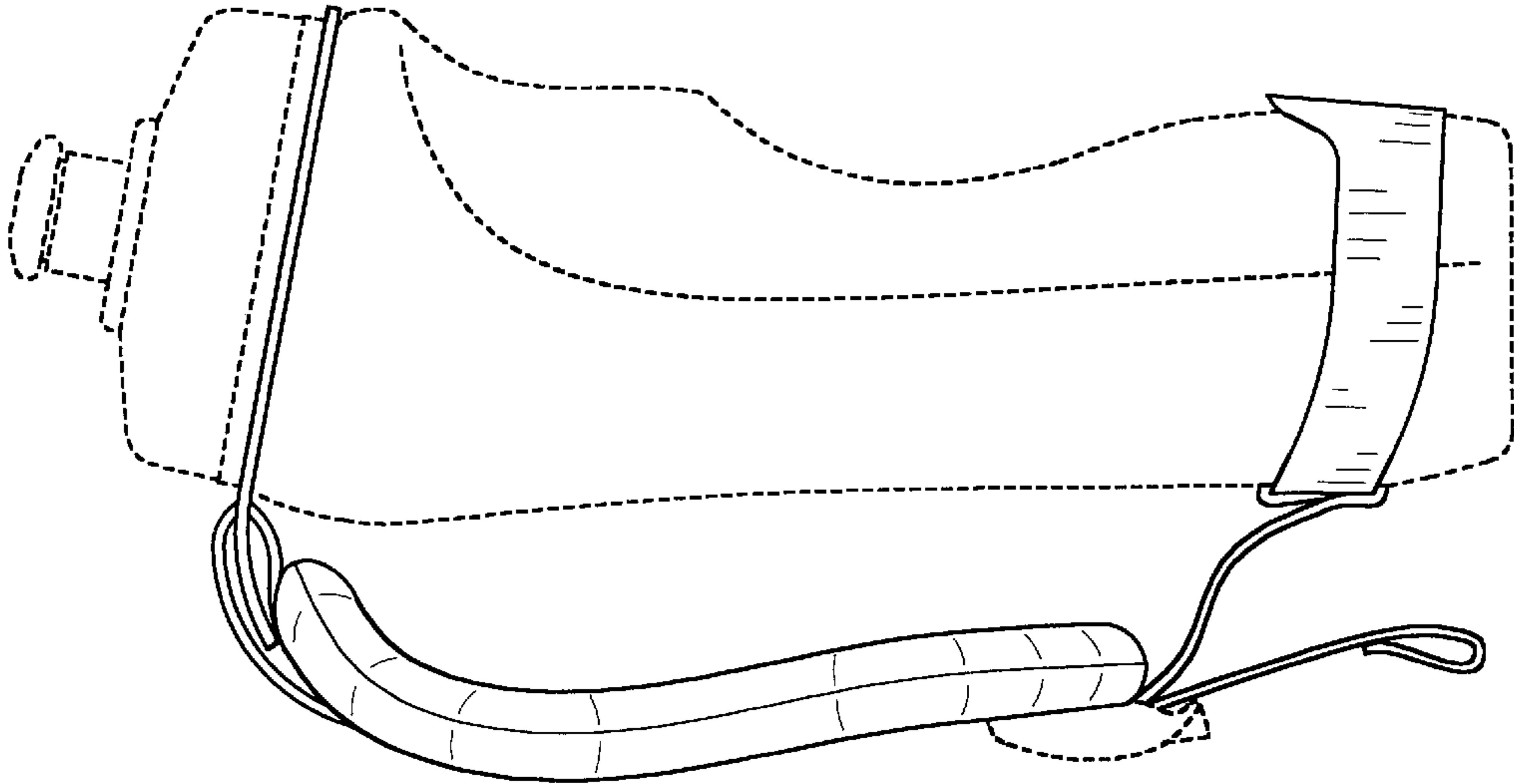


FIG. 2

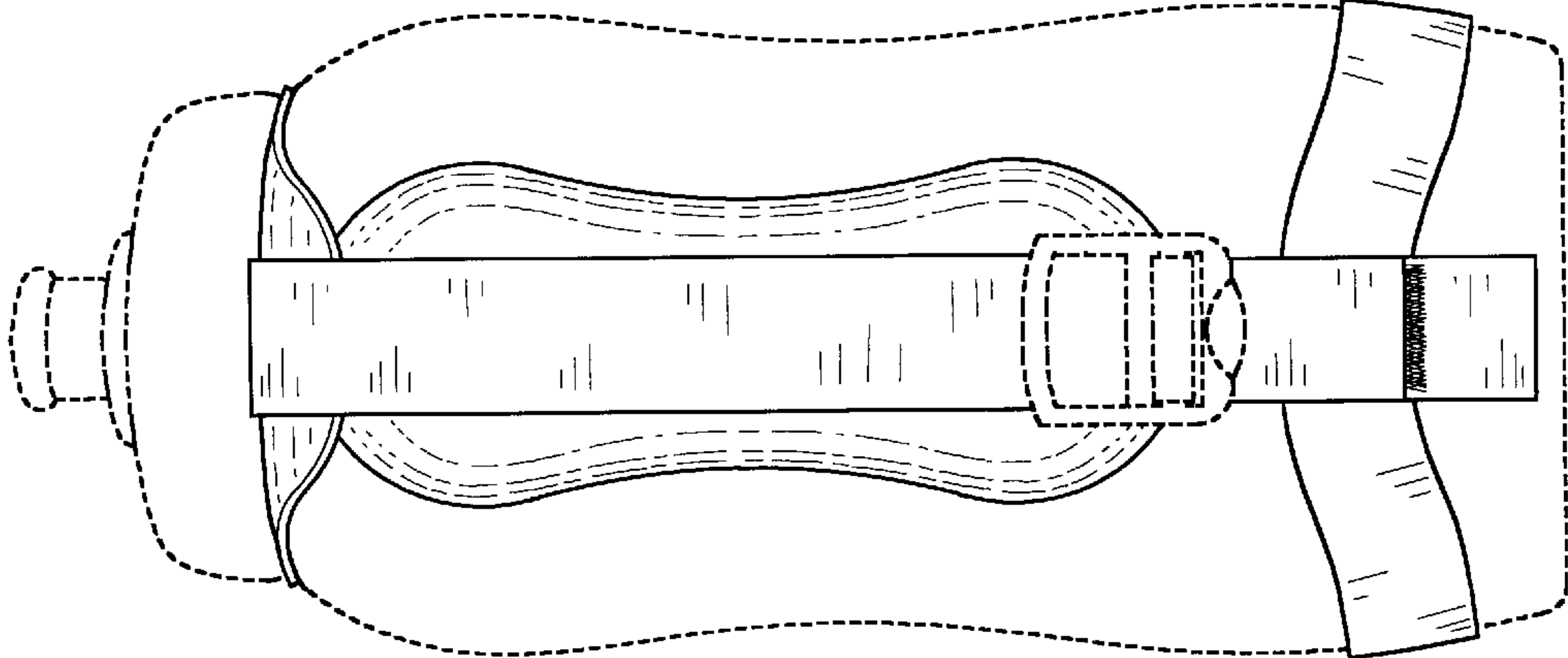


FIG. 1

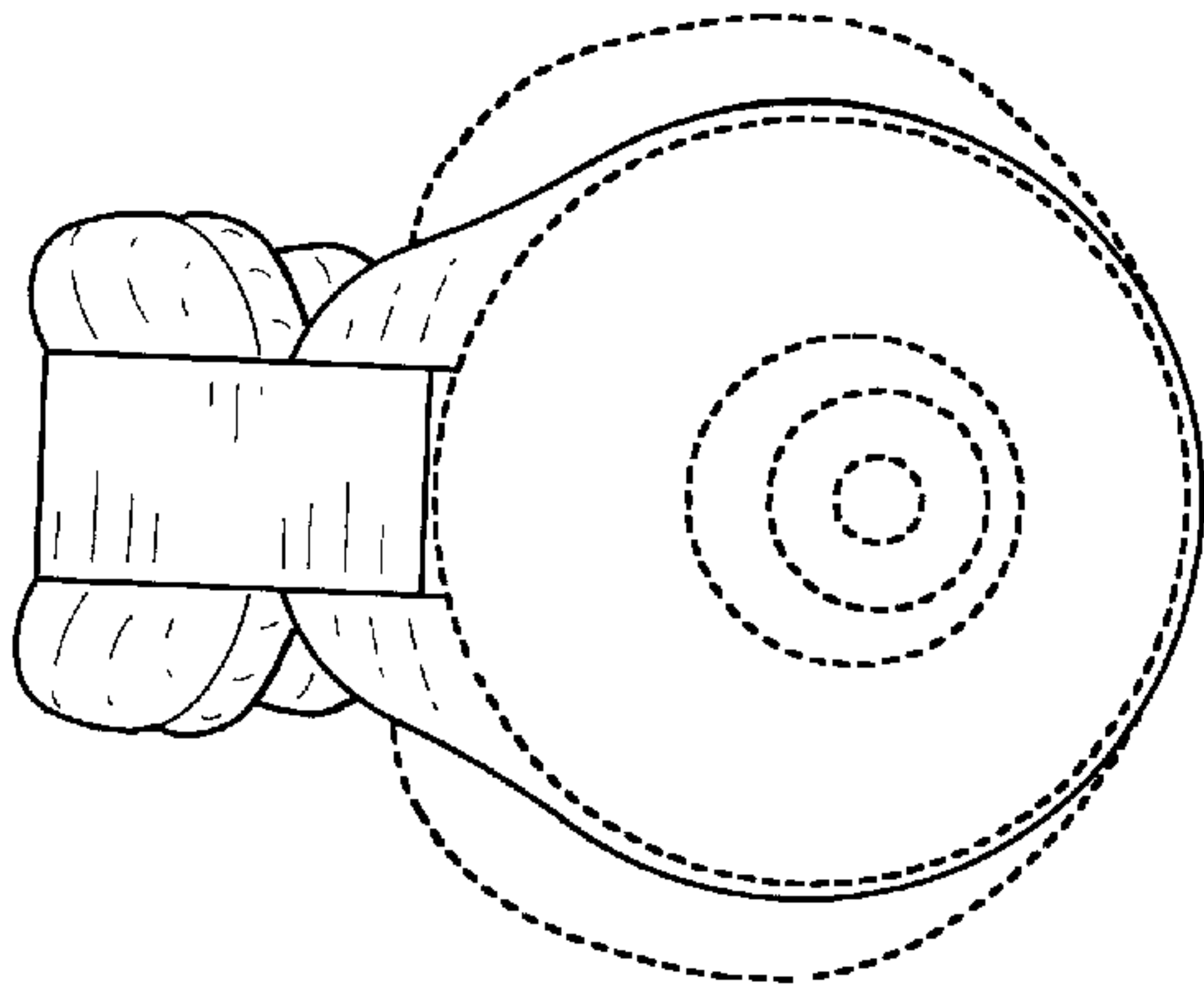


FIG. 4

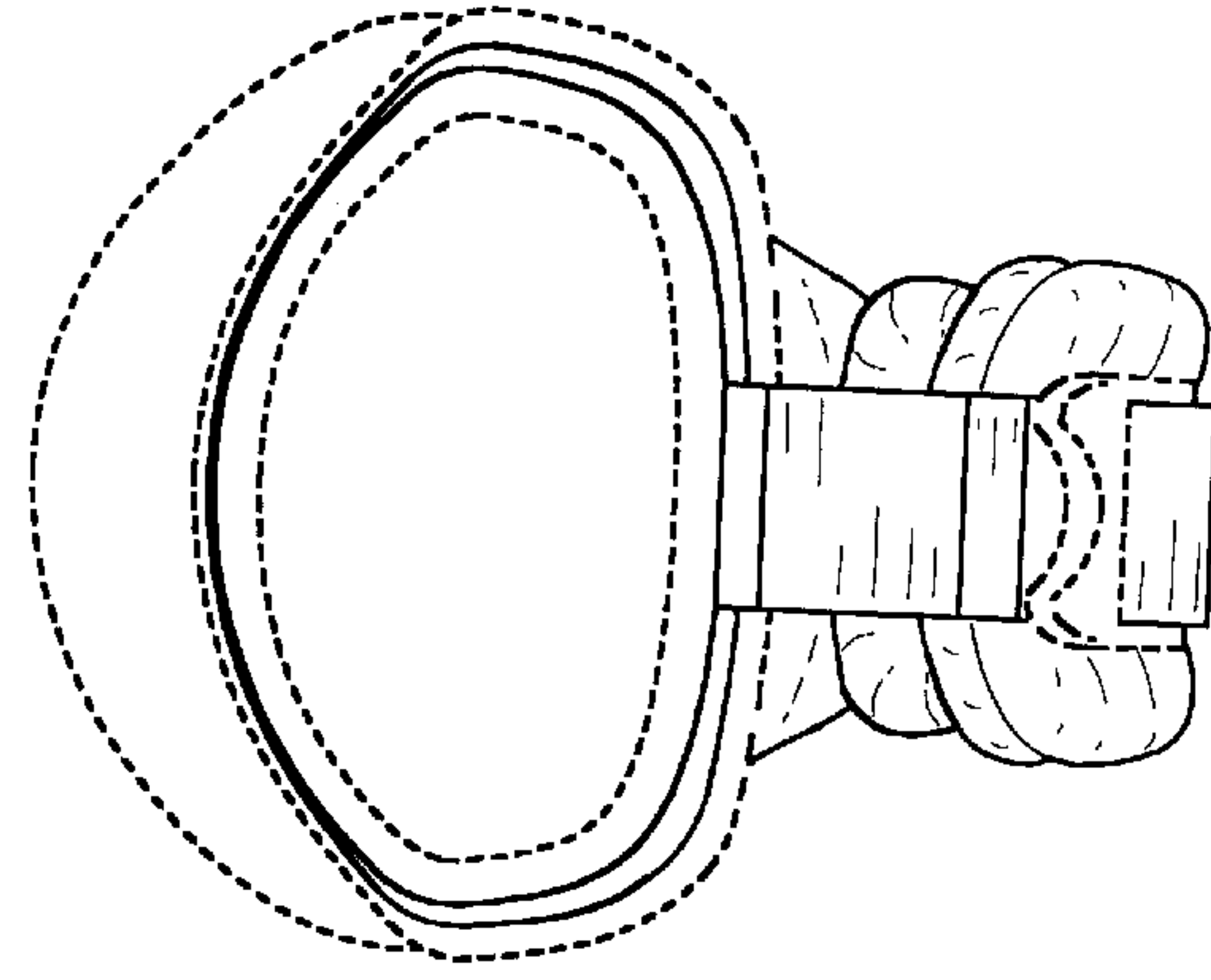


FIG. 5

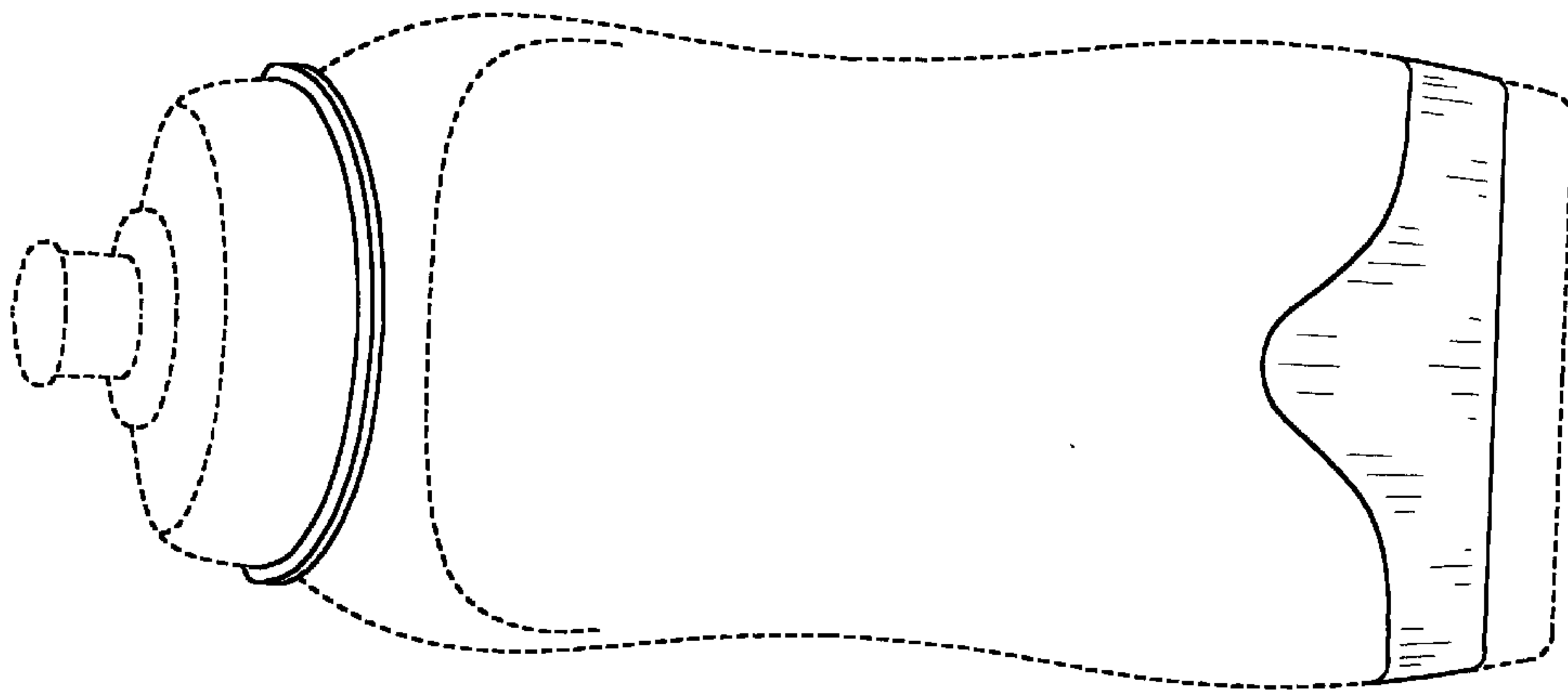


FIG. 3