



US00D497236S1

(12) **United States Design Patent**
Haro

(10) **Patent No.:** **US D497,236 S**
(45) **Date of Patent:** **** Oct. 19, 2004**

(54) **CROWN-SHAPED FOOD PRODUCT**

(75) Inventor: **Guillermo Haro**, Skokie, IL (US)

(73) Assignee: **Kraft Foods Holdings, Inc.**, Northfield, IL (US)

(**) Term: **14 Years**

(21) Appl. No.: **29/189,071**

(22) Filed: **Aug. 28, 2003**

(51) **LOC (7) Cl.** **01-01**

(52) **U.S. Cl.** **D1/106; D1/126**

(58) **Field of Search** **D1/106, 126; D21/386; D11/59; 426/104**

(56) **References Cited**

U.S. PATENT DOCUMENTS

D324,753 S	3/1992	Meyers, Jr. et al.	
D325,804 S	5/1992	Meyers, Jr. et al.	
D326,553 S	6/1992	Meyers, Jr. et al.	
D352,811 S	* 11/1994	Gonzalez D1/106
D374,573 S	10/1996	Brunner et al.	
D380,886 S	7/1997	Hauser et al.	

D381,185 S	7/1997	Hauser et al.
D381,486 S	7/1997	Hauser et al.
D392,435 S	3/1998	Mocking et al.
D417,332 S	12/1999	Dawe et al.
D437,101 S	2/2001	Debbouz et al.

* cited by examiner

Primary Examiner—Pamela Burgess

(74) *Attorney, Agent, or Firm*—Fitch, Even, Tabin & Flannery

(57) **CLAIM**

The ornamental design for a crown-shaped food product, as shown and described.

DESCRIPTION

FIG. 1 is a top perspective view of a crown-shaped food product showing my new design; FIG. 2 is a front elevational view thereof, the rear elevational view being identical; FIG. 3 is a right side elevational view thereof, the left side elevational view being identical; FIG. 4 is a top plan view thereof; and, FIG. 5 is a bottom plan view thereof.

1 Claim, 1 Drawing Sheet

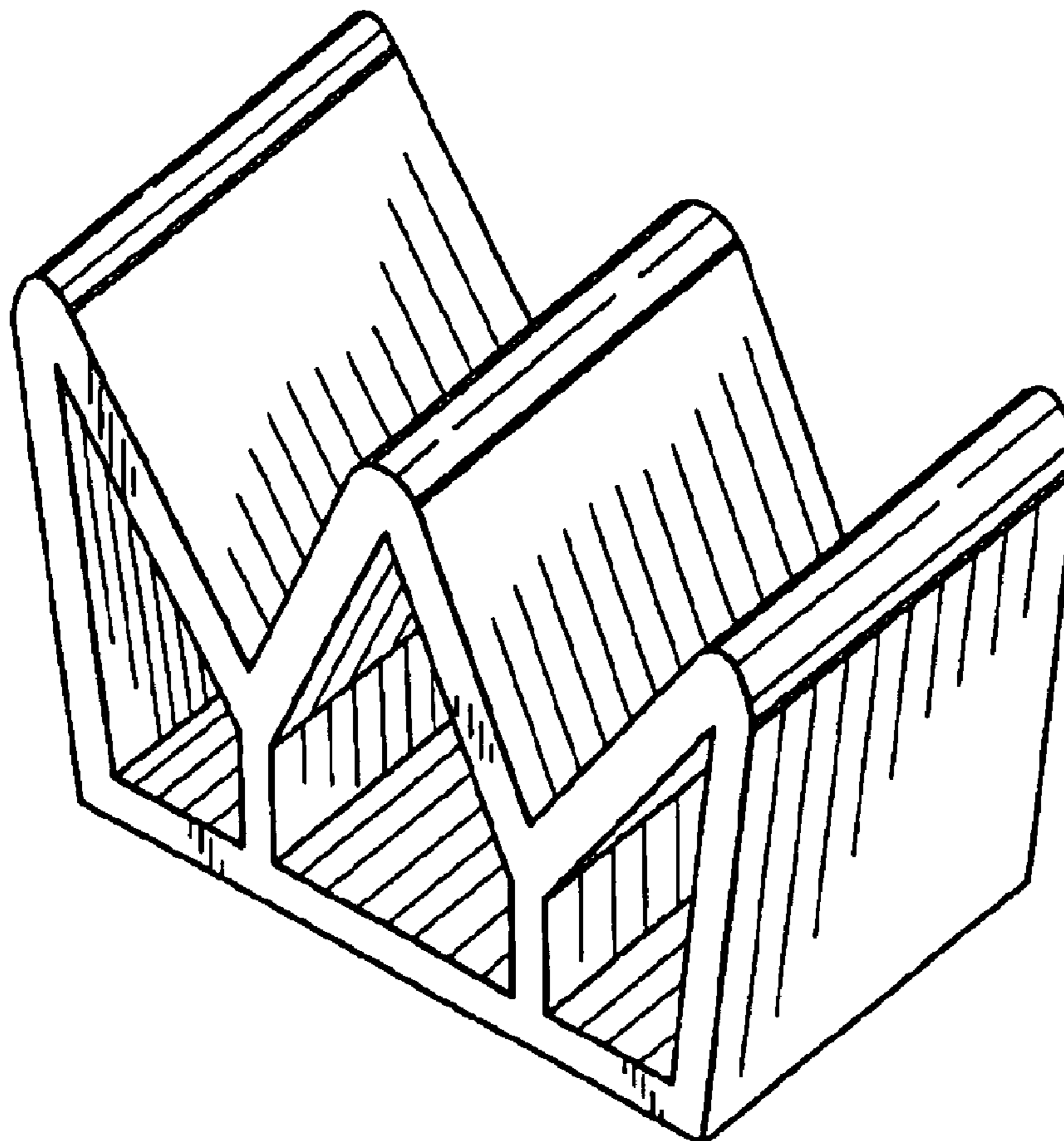


Fig. 1

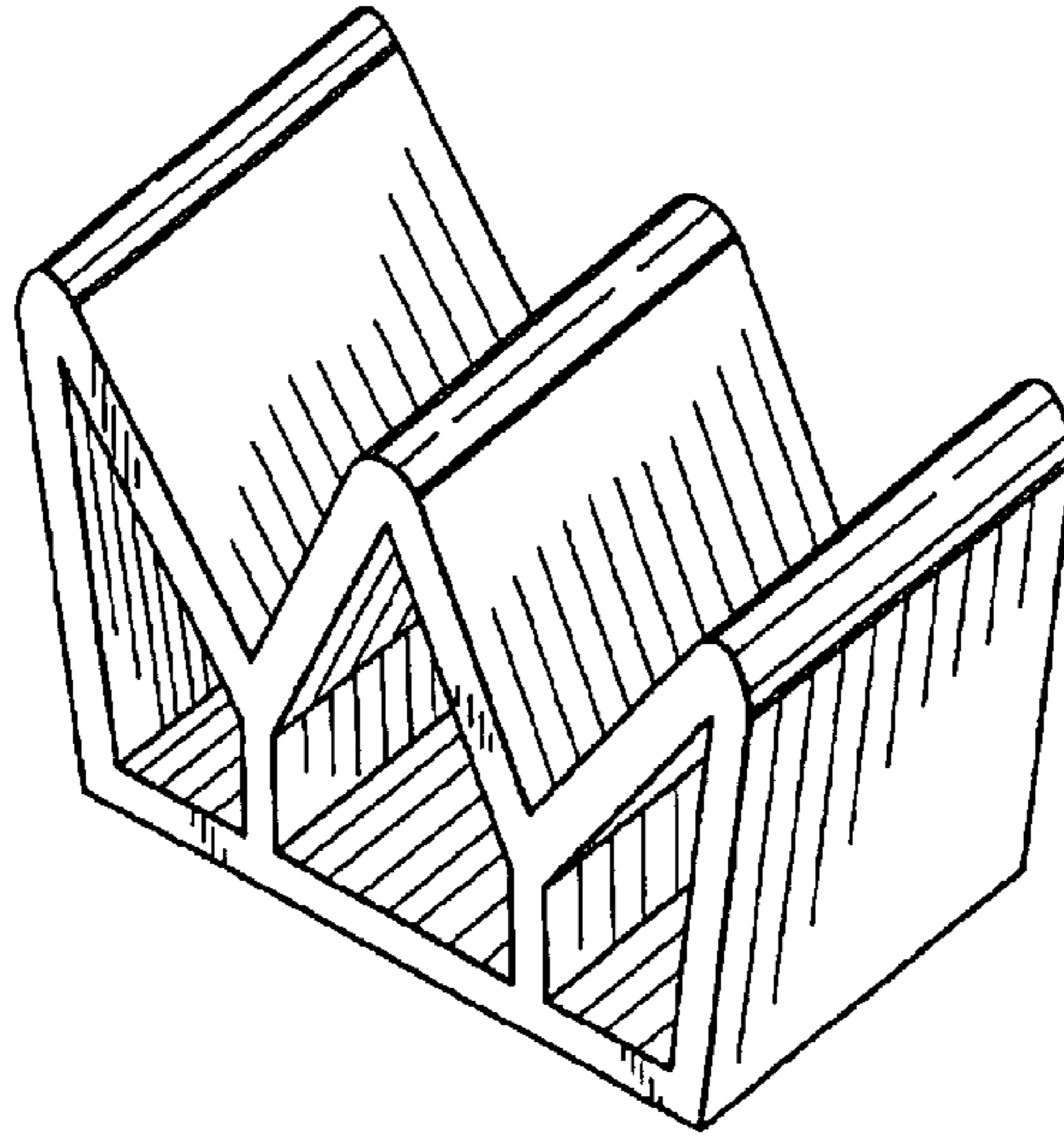


Fig. 2

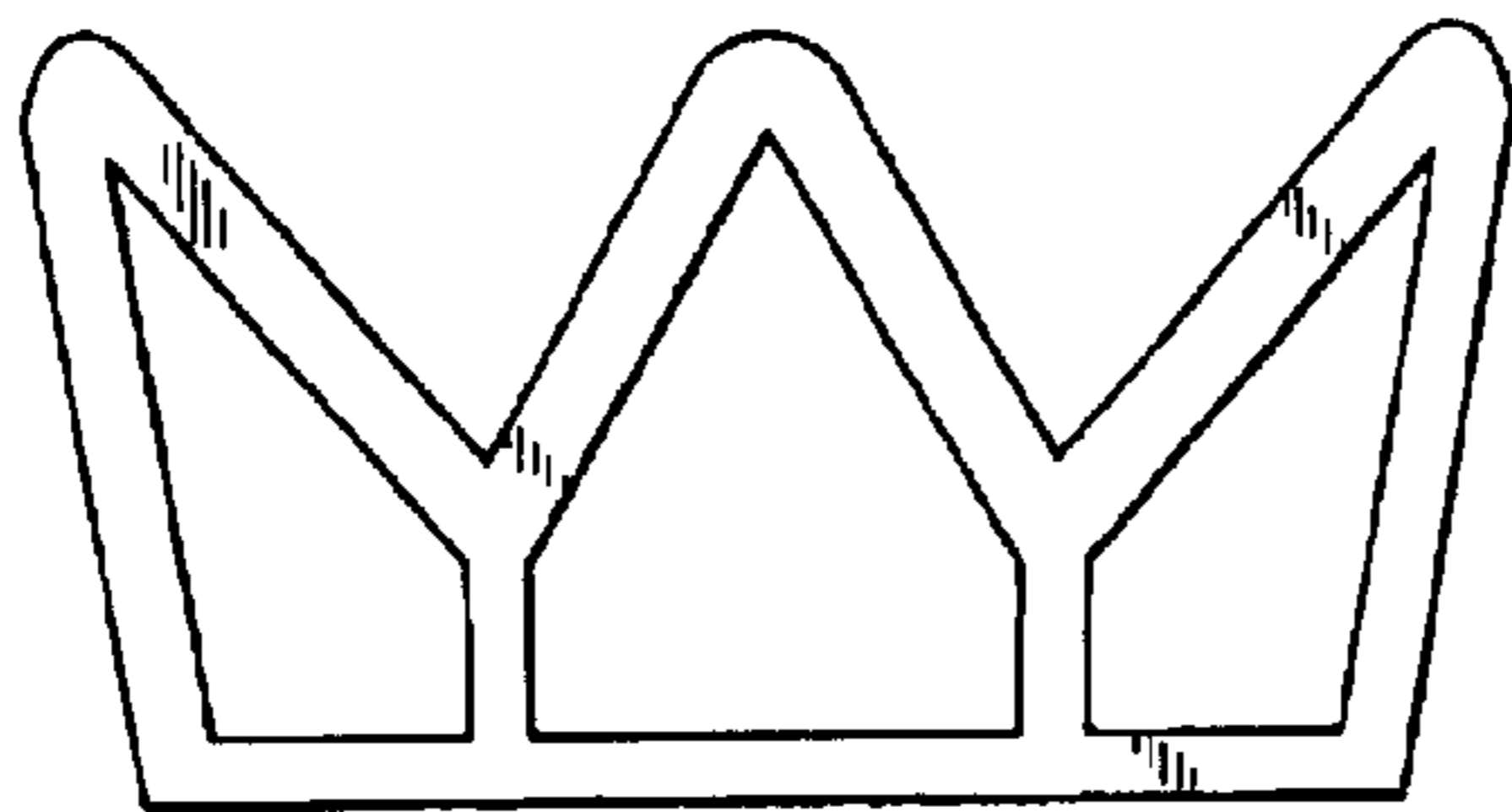


Fig. 3

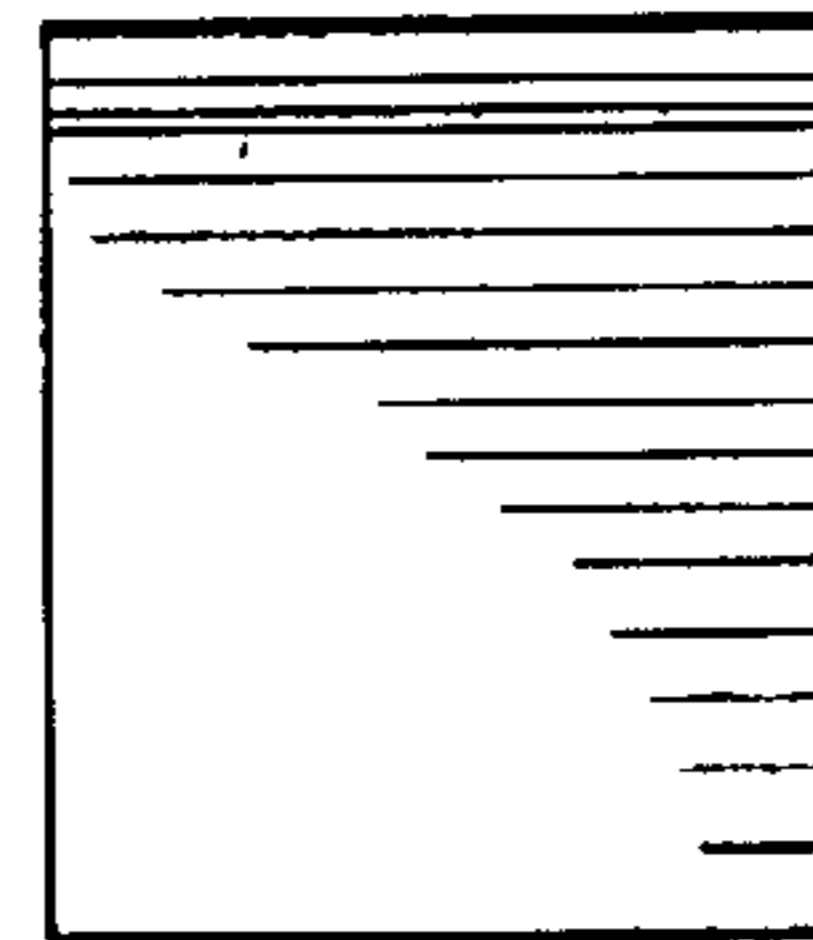


Fig. 4

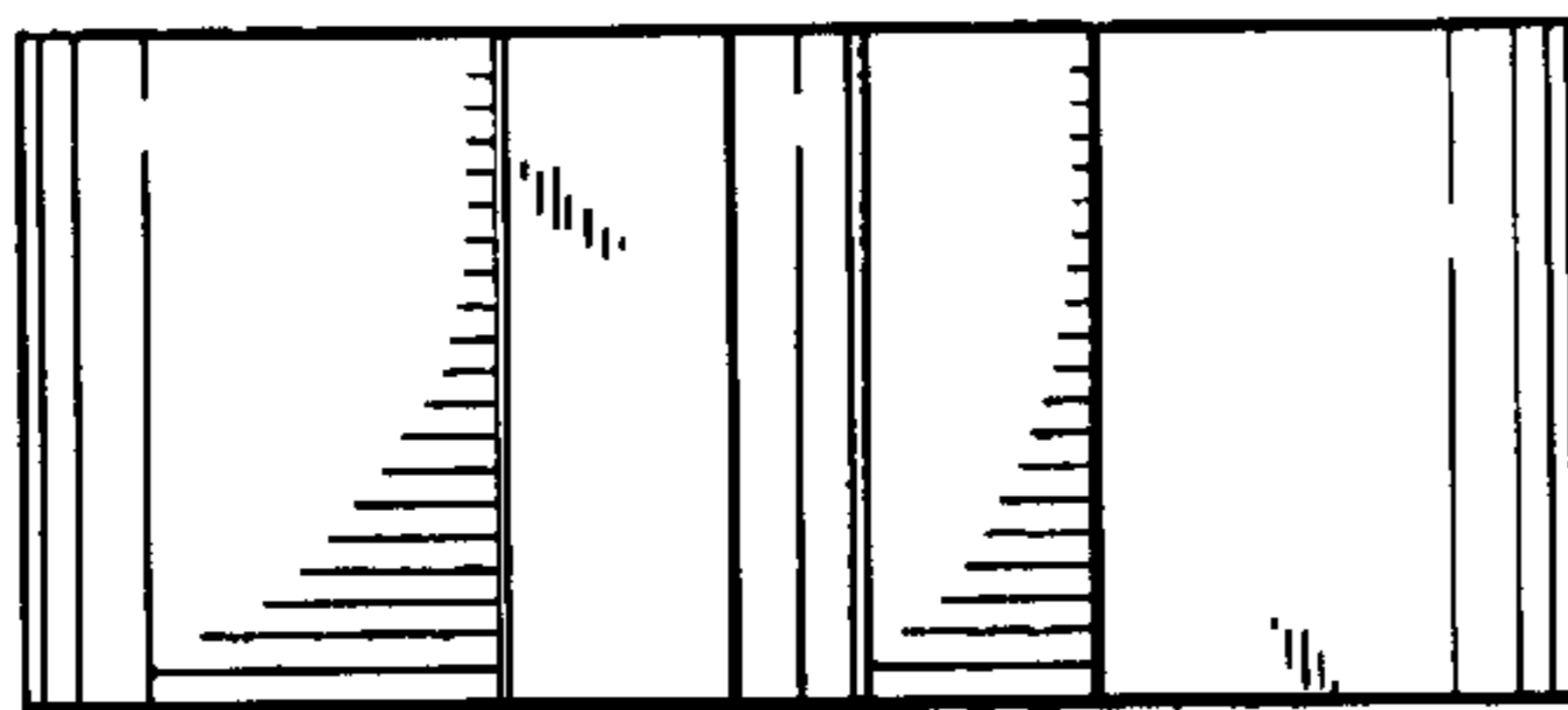


Fig. 5

