

US00D497234S1

(12) **United States Design Patent**  
**Parker et al.**

(10) **Patent No.:** **US D497,234 S**  
(45) **Date of Patent:** **\*\* Oct. 12, 2004**

(54) **SURFACE ORNAMENTATION FOR CASKETS**

D462,128 S 8/2002 Careri ..... D25/103  
D462,455 S 9/2002 Careri ..... D25/103

(75) Inventors: **Daniel J. Parker**, Connersville, IN (US); **Christopher M. Wessel**, Batesville, IN (US)

**OTHER PUBLICATIONS**

The Enschede Catalogue of Typographic Borders and Ornaments, p. 80 # 141B, Jul. 27, 1987.\*

(73) Assignee: **Batesville Services, Inc.**, Batesville, IN (US)

\* cited by examiner

(\*\*) Term: **14 Years**

*Primary Examiner*—Paula A. Mortimer

(21) Appl. No.: **29/176,344**

(74) *Attorney, Agent, or Firm*—Wood, Herron & Evans, L.L.P.

(22) Filed: **Feb. 24, 2003**

(57) **CLAIM**

(51) **LOC (7) Cl.** ..... **99-00**

The ornamental design for surface ornamentation for caskets, as shown and described.

(52) **U.S. Cl.** ..... **D99/1; D99/8**

**DESCRIPTION**

(58) **Field of Search** ..... D99/1-4, 8, 16; D5/24, 32, 63, 66; D6/615; 27/1-10; D20/10, 11

FIG. 1 is a perspective view of our new, original and ornamental design for surface ornamentation for caskets; FIG. 2 is a top view thereof; FIG. 3 is a top view of an alternative embodiment thereof; FIG. 4 is a top view of an alternative embodiment thereof; and,

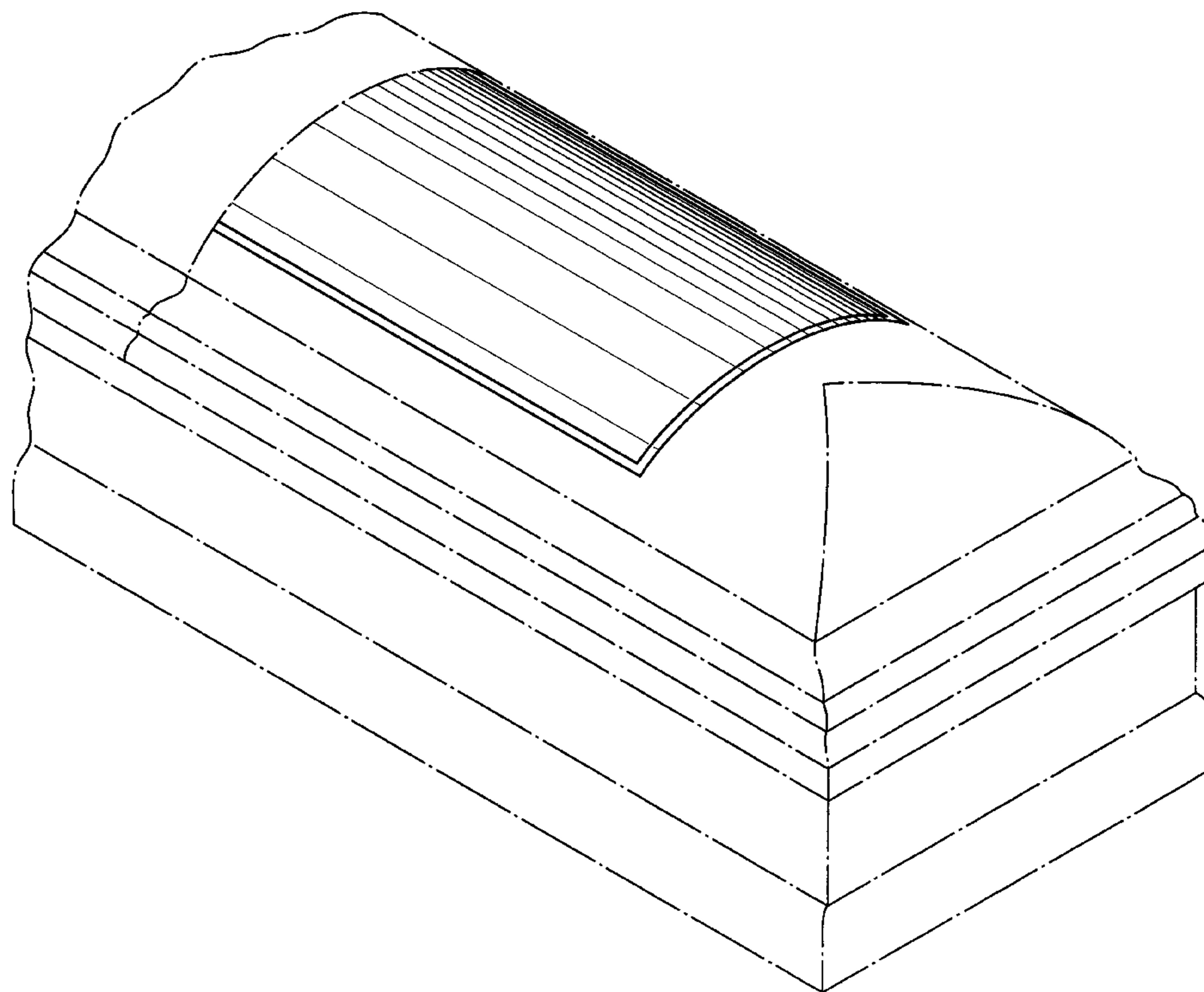
(56) **References Cited**

**U.S. PATENT DOCUMENTS**

1,912,279 A \* 5/1933 Kincaid ..... 27/3 X  
D161,470 S \* 1/1951 Lager ..... D99/1  
D350,010 S 8/1994 May et al. .... D99/5  
D359,831 S 6/1995 Parker ..... D99/5  
D381,901 S 8/1997 Alig et al. .... D9/414  
D420,232 S 2/2000 Paus ..... D6/491  
D444,932 S 7/2001 Greiwe et al. .... D99/5  
6,317,942 B1 \* 11/2001 Hankel et al. .... 27/2

FIG. 5 is a top view of an alternative embodiment thereof. The broken line showing of the casket is for illustrative purposes only and forms no part of the claimed design. The depicted contrast in shading represents a contrast in appearance via color, texture, material and/or luminance.

**1 Claim, 5 Drawing Sheets**



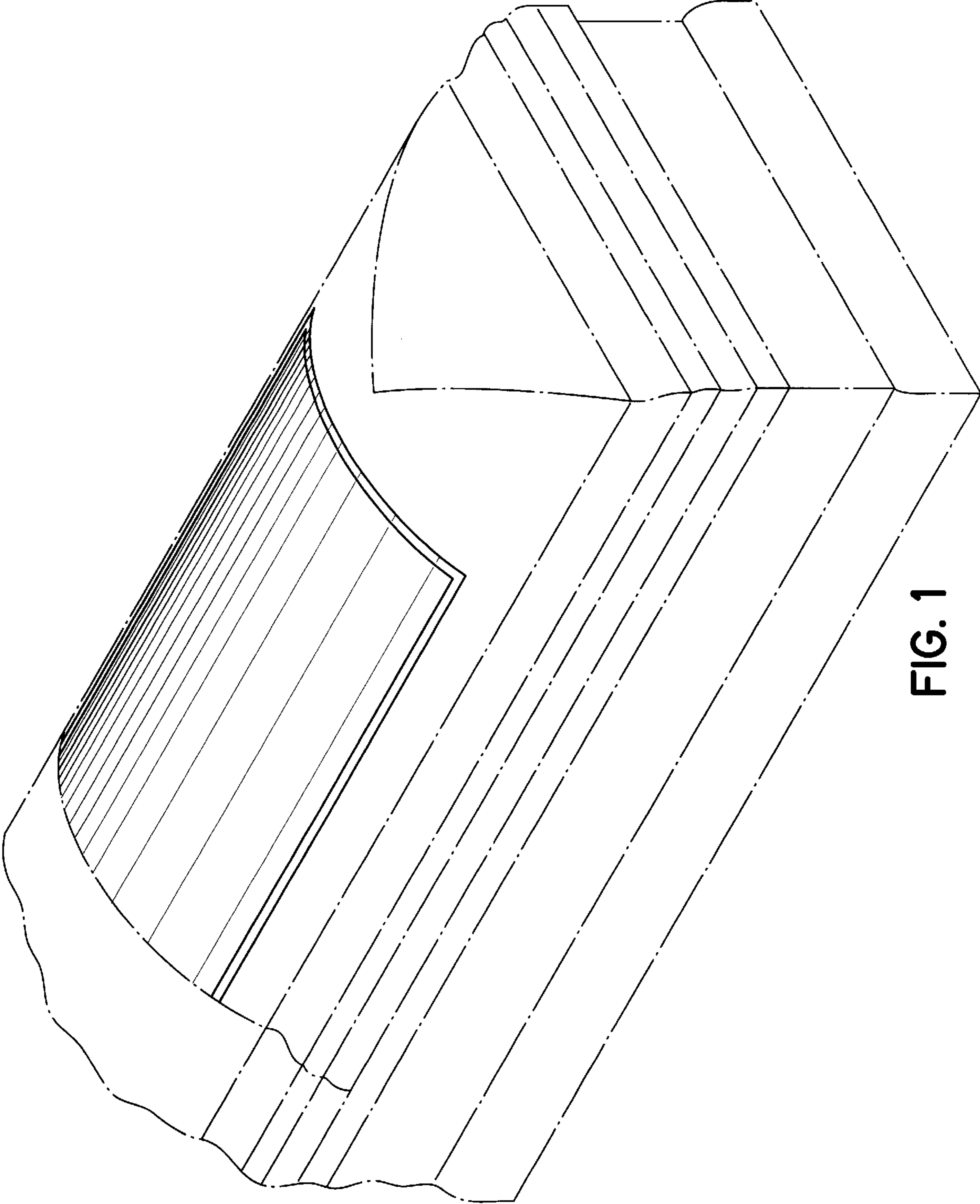


FIG. 1

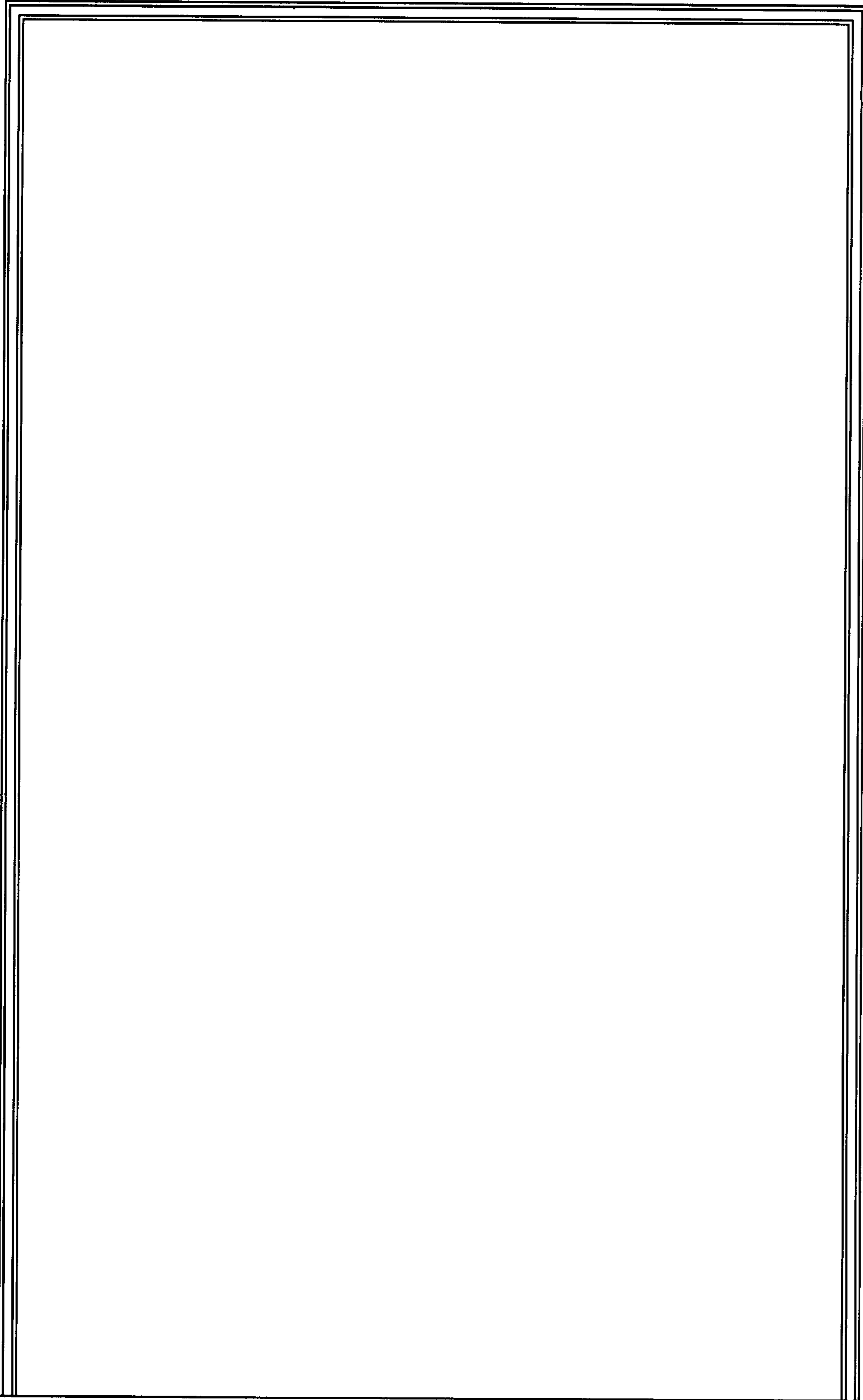


FIG. 2

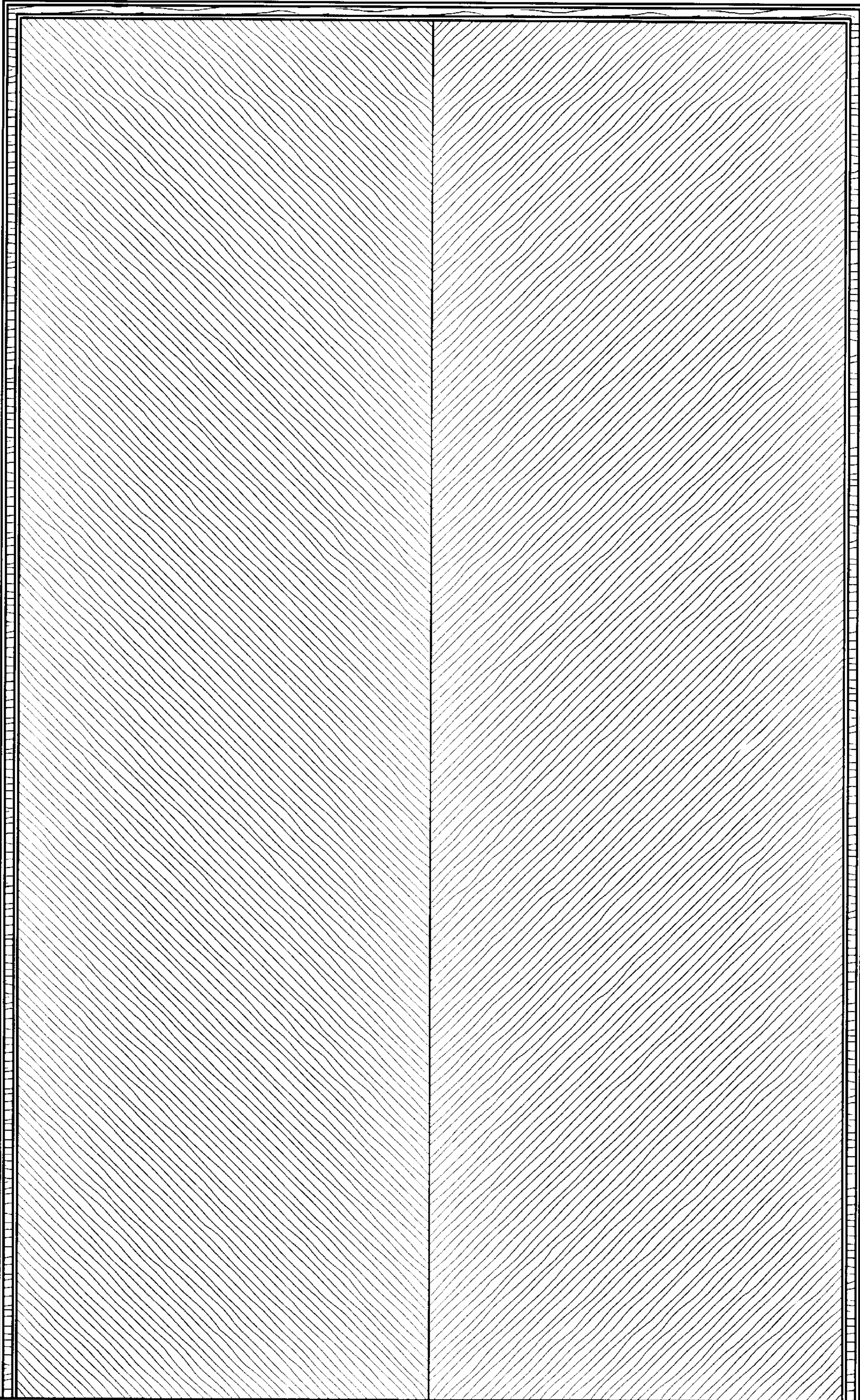


FIG. 3

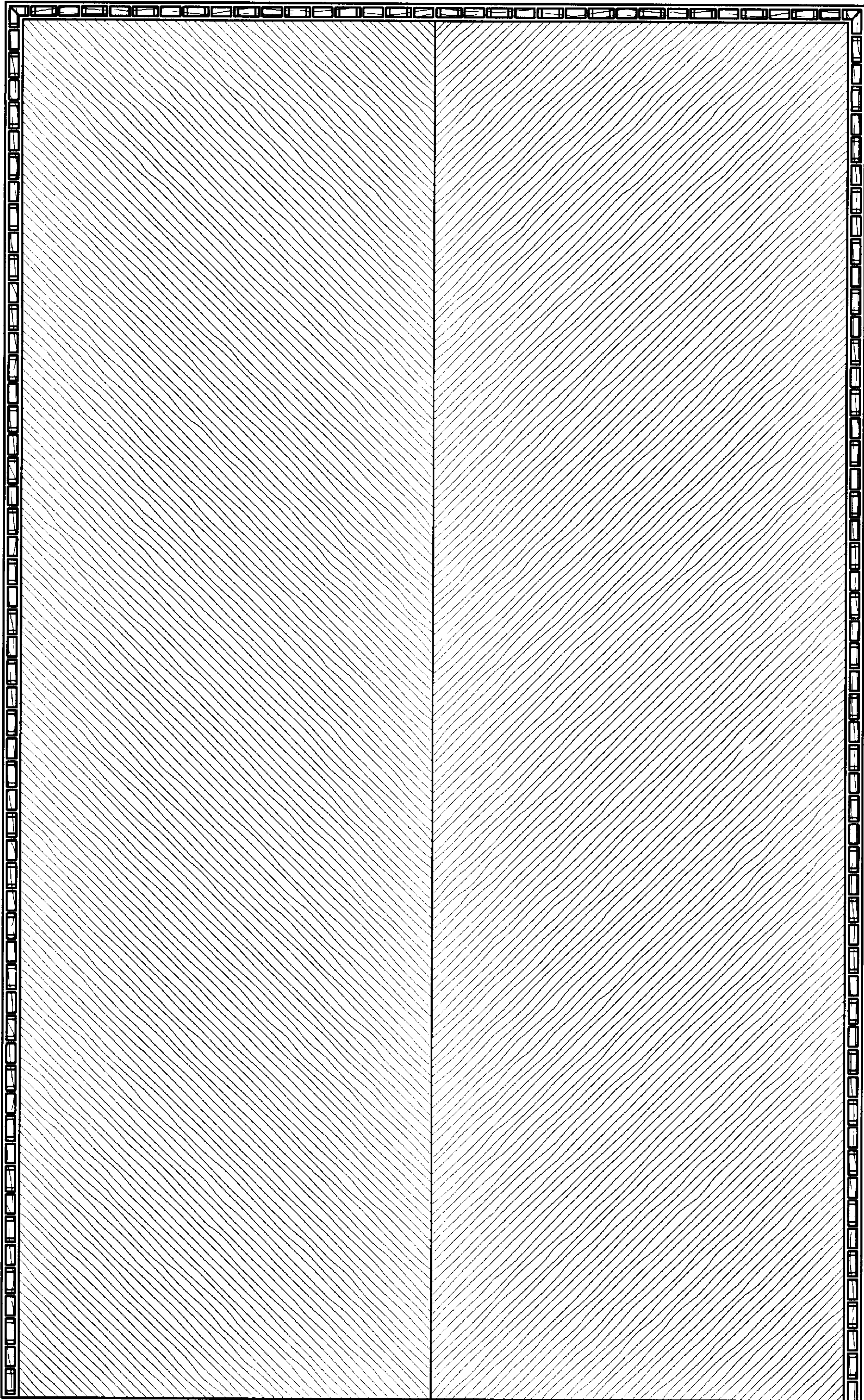


FIG. 4

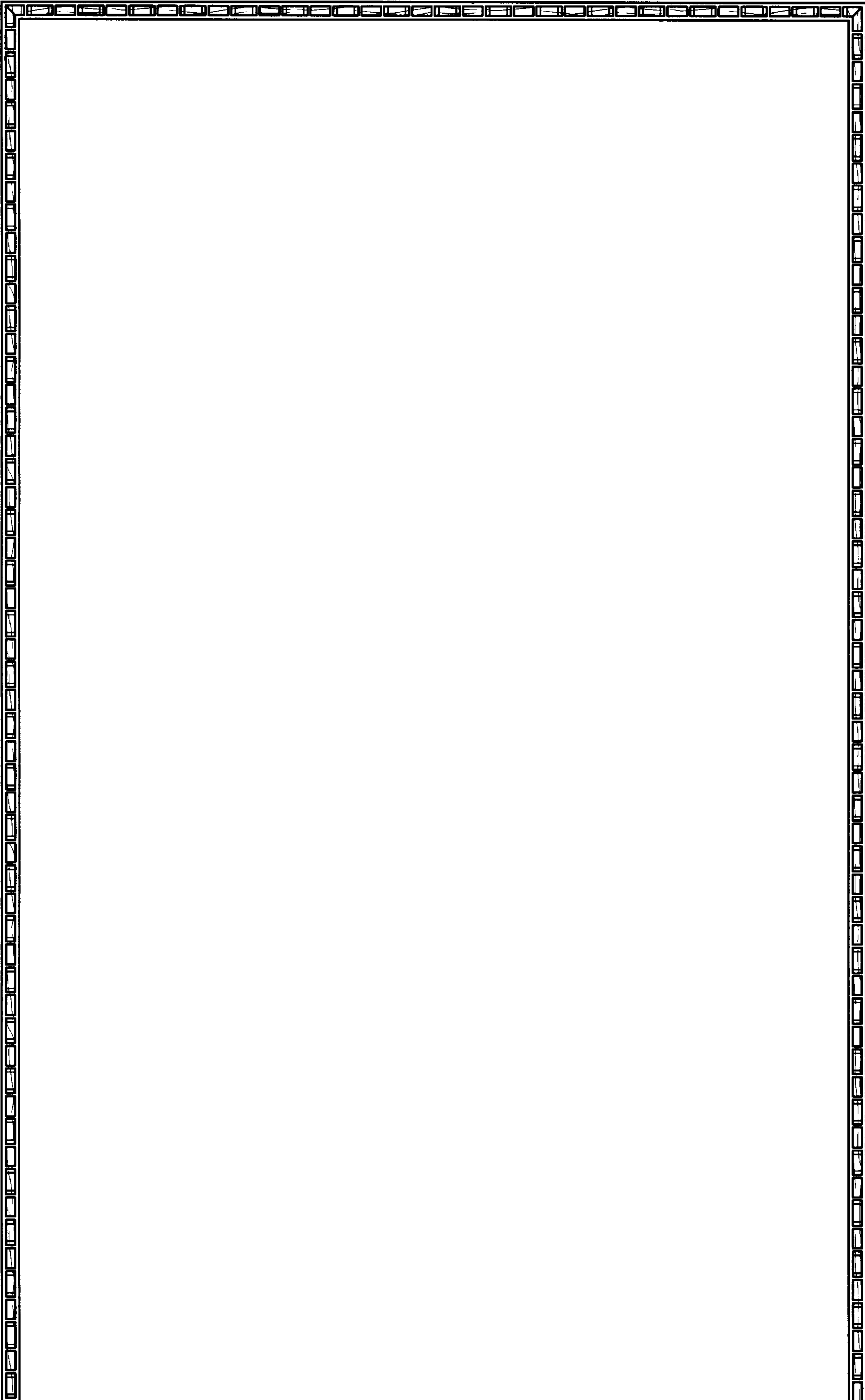


FIG. 5